

US00D546023S

(12) **United States Design Patent** (10) **Patent No.:** **US D546,023 S**
Hawes (45) **Date of Patent:** **** Jul. 3, 2007**

(54) **CONTAINER**

(75) Inventor: **Anthony Hawes**, Round O, SC (US)

(73) Assignee: **Sea Containers America, Inc.**,
Charleston, SC (US)

(**) Term: **14 Years**

(21) Appl. No.: **29/227,909**

(22) Filed: **Apr. 18, 2005**

(51) **LOC (8) Cl.** **12-05**

(52) **U.S. Cl.** **D34/38; D34/28**

(58) **Field of Classification Search** D34/38,
D34/28; 220/1.5; 108/55.1, 56.1, 57.13;
248/346.02, 346.04, 346.01; D3/372, 304
See application file for complete search history.

(56) **References Cited**

U.S. PATENT DOCUMENTS

2,512,145	A *	6/1950	Ford	220/4.28
2,613,836	A *	10/1952	Newhall et al.	220/1.5
2,692,064	A *	10/1954	Koester	217/12 R
2,738,058	A *	3/1956	Hansen et al.	206/597
3,032,227	A *	5/1962	Guralnick et al.	220/1.5
3,271,089	A *	9/1966	Krellen	312/31.2
3,398,850	A *	8/1968	Kennard	220/6
3,456,830	A *	7/1969	Golder	220/1.5
3,480,174	A	11/1969	Sherwood	
3,589,547	A *	6/1971	Hambleton	220/1.5
3,711,902	A *	1/1973	Eggert, Jr.	24/287
3,828,964	A *	8/1974	Bonnot	220/1.5
3,828,965	A *	8/1974	Yarbrough	220/1.5
3,856,174	A *	12/1974	Hartmann	220/1.5
4,603,787	A *	8/1986	Essary	220/1.5
4,629,379	A	12/1986	Harris et al.	
5,292,012	A *	3/1994	Davis et al.	211/85.18
D370,780	S *	6/1996	Bunger	D3/272
5,761,854	A	6/1998	Johnson et al.	
D399,575	S	10/1998	Hunt	
5,950,373	A	9/1999	von Hoff et al.	
6,016,634	A	1/2000	Sayer	
D426,382	S *	6/2000	Martineau	D3/272
6,123,208	A	9/2000	Haenszel	

6,296,133	B1 *	10/2001	Cobane	220/6
6,299,008	B1 *	10/2001	Payne	220/1.5
6,811,048	B2 *	11/2004	Lau	220/1.5
2002/0005150	A1	1/2002	Taylor et al.	

OTHER PUBLICATIONS

Product literature for Quadcon Integrated Storage Systems, Jan. 2003.

Product literature for Quadcon, Jan. 2003.

Product literature for Tricon, Jan. 2003.

Product literature for CARC Tricon, Jan. 2003.

Product literature for Tricon Laboratory Shelter (obtained May 2003).

Product literature for Tricon Weapons and Ordnance Shelter (obtained May 2003).

Product literature for Tricon Medical Supplies Shelter (obtained May 2003).

* cited by examiner

Primary Examiner—Cynthia E. Ramirez

(74) *Attorney, Agent, or Firm*—Wiley Rein LLP

(57) **CLAIM**

The ornamental design for a container, as shown and described.

DESCRIPTION

FIG. 1 is a front perspective of a container according to the novel design;

FIG. 2 is a bottom plan view thereof;

FIG. 3 is a front elevational view thereof;

FIG. 4 is a rear elevational view thereof;

FIG. 5 is a top plan view thereof;

FIG. 6 is a left side elevational view thereof;

FIG. 7 is a right side elevational view thereof; and,

FIG. 8 is a side elevational view shown with one of the doors removed for convenience of illustration.

The broken lines included in the drawings depict elements that are not part of the claimed design.

1 Claim, 4 Drawing Sheets

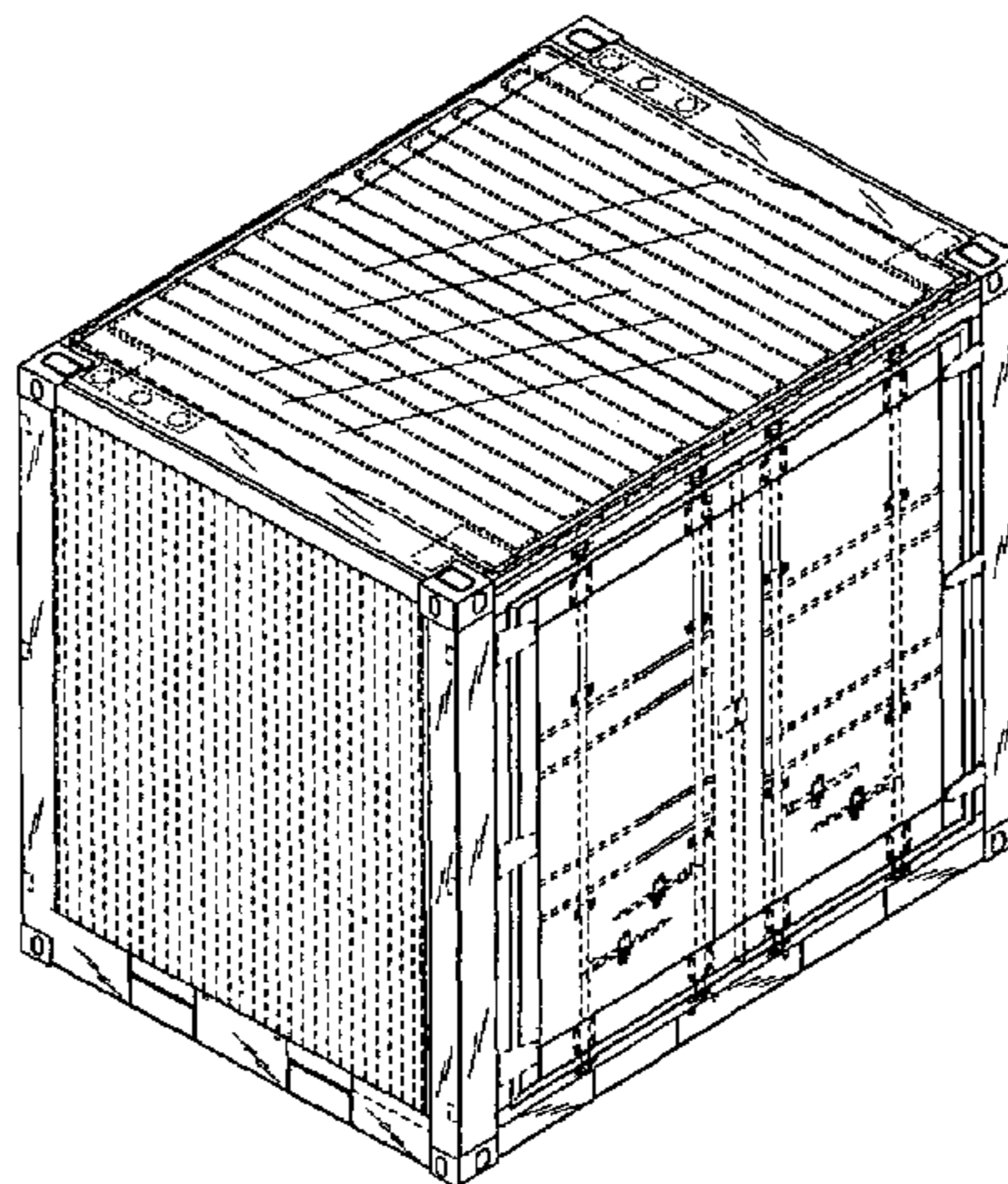


FIG. 1

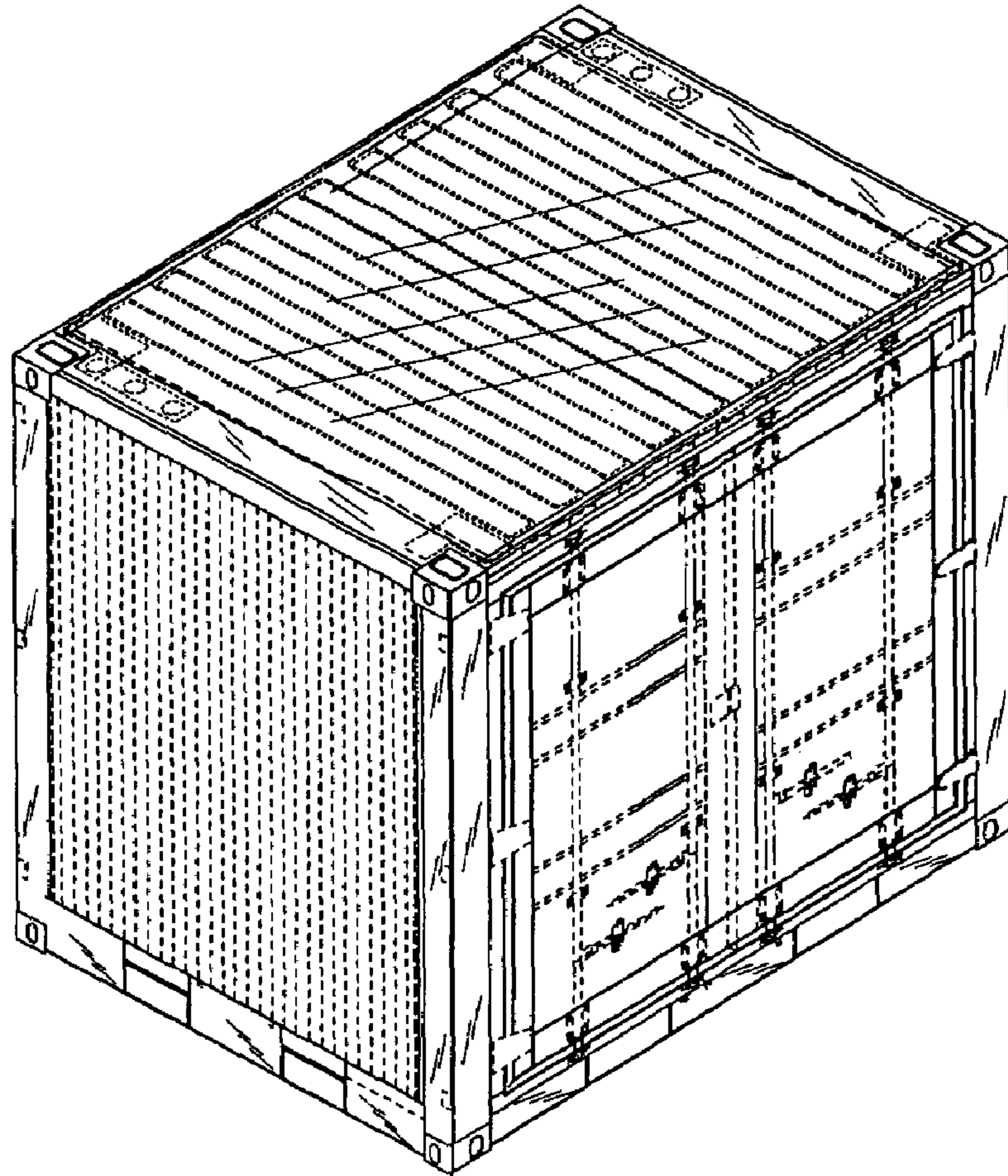


FIG. 2

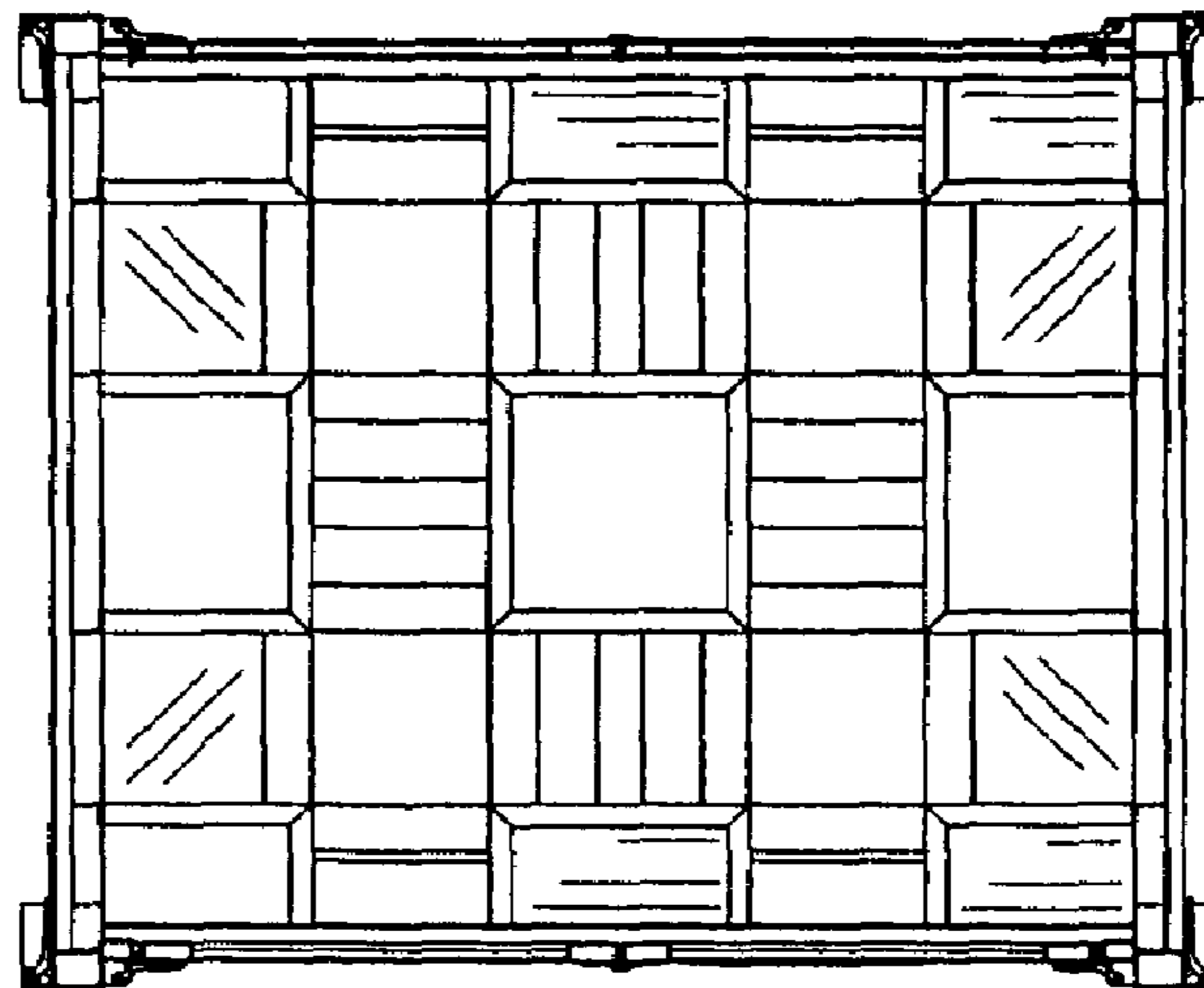


FIG. 3

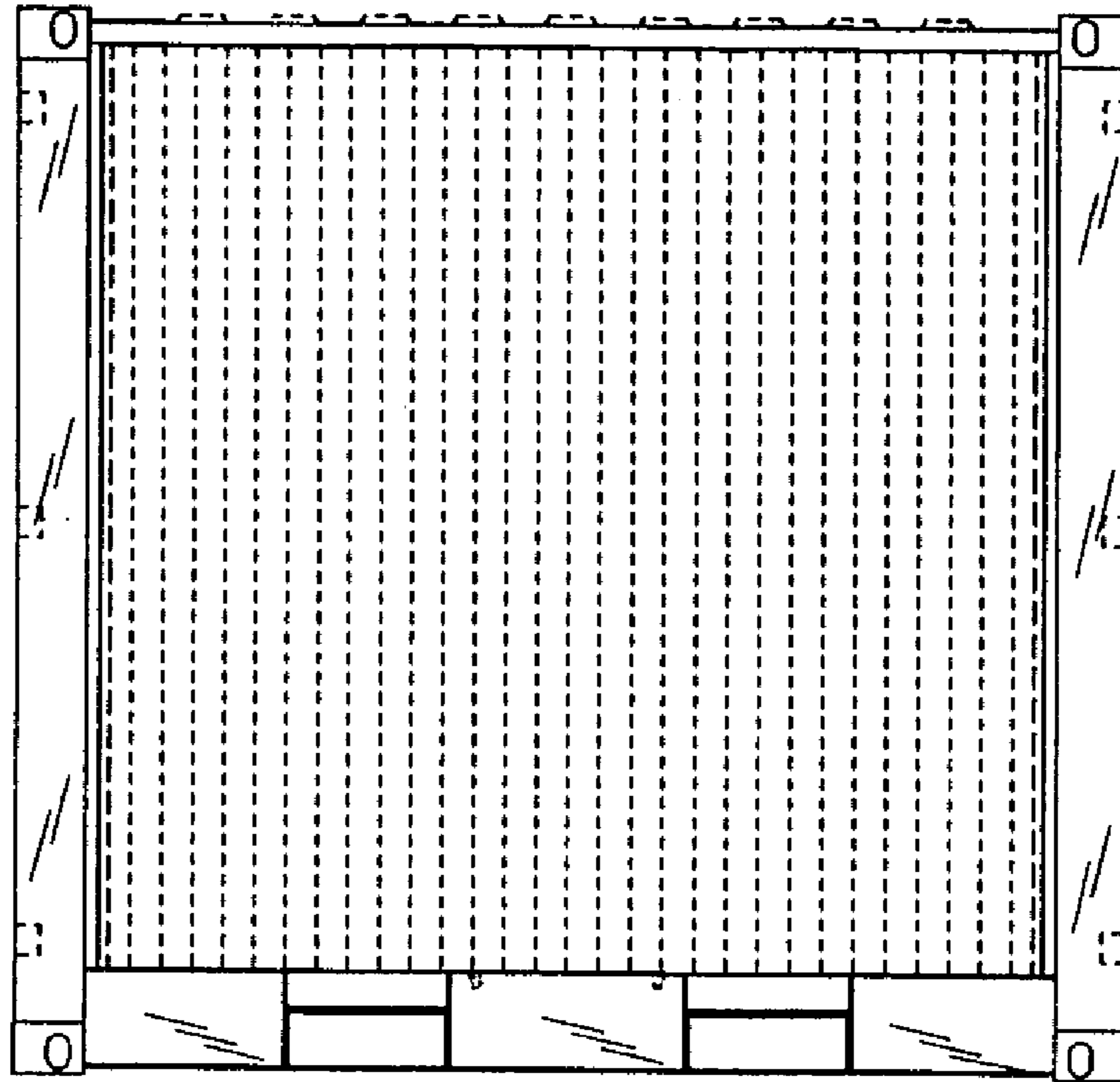


FIG. 4

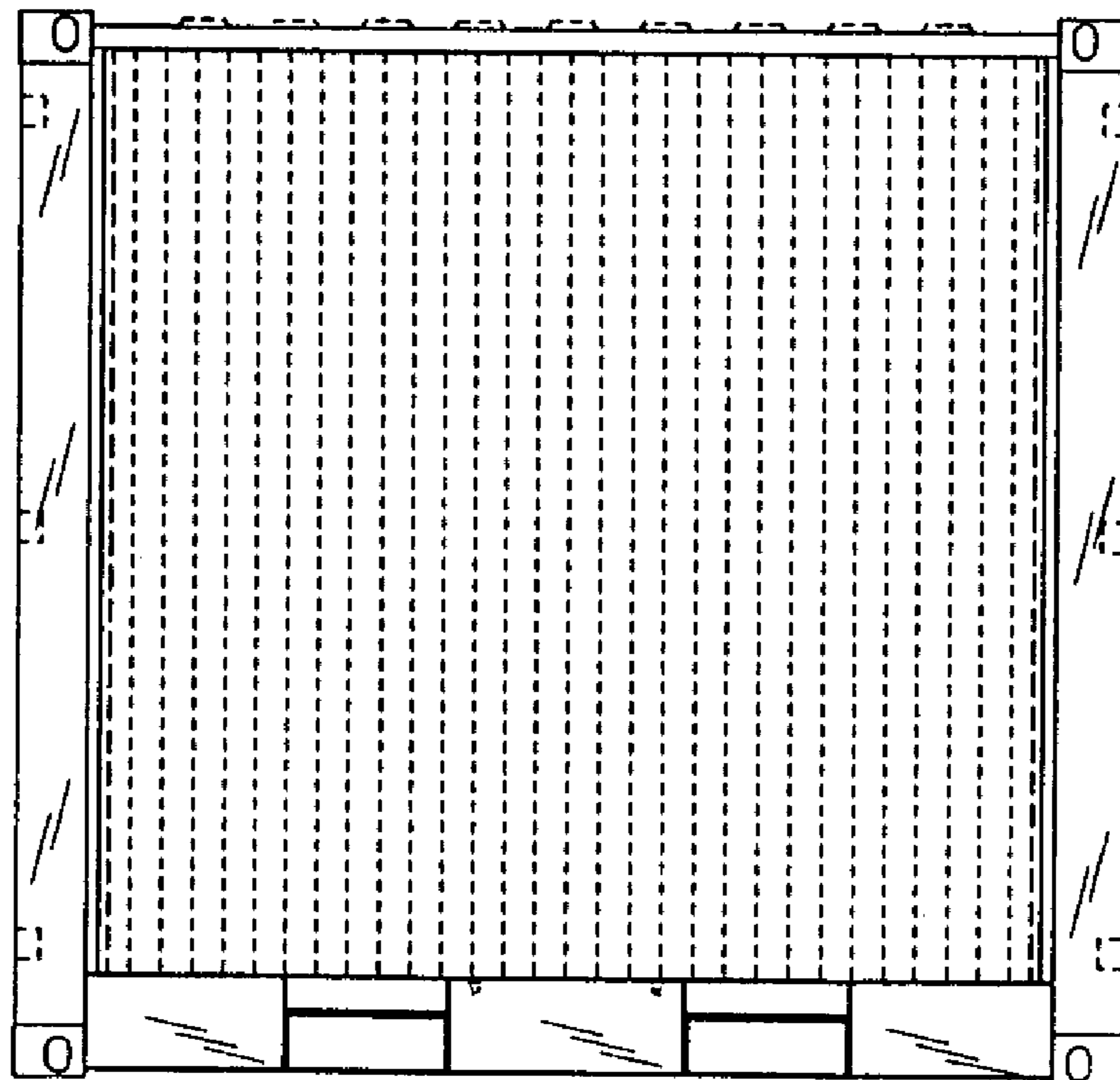


FIG. 5

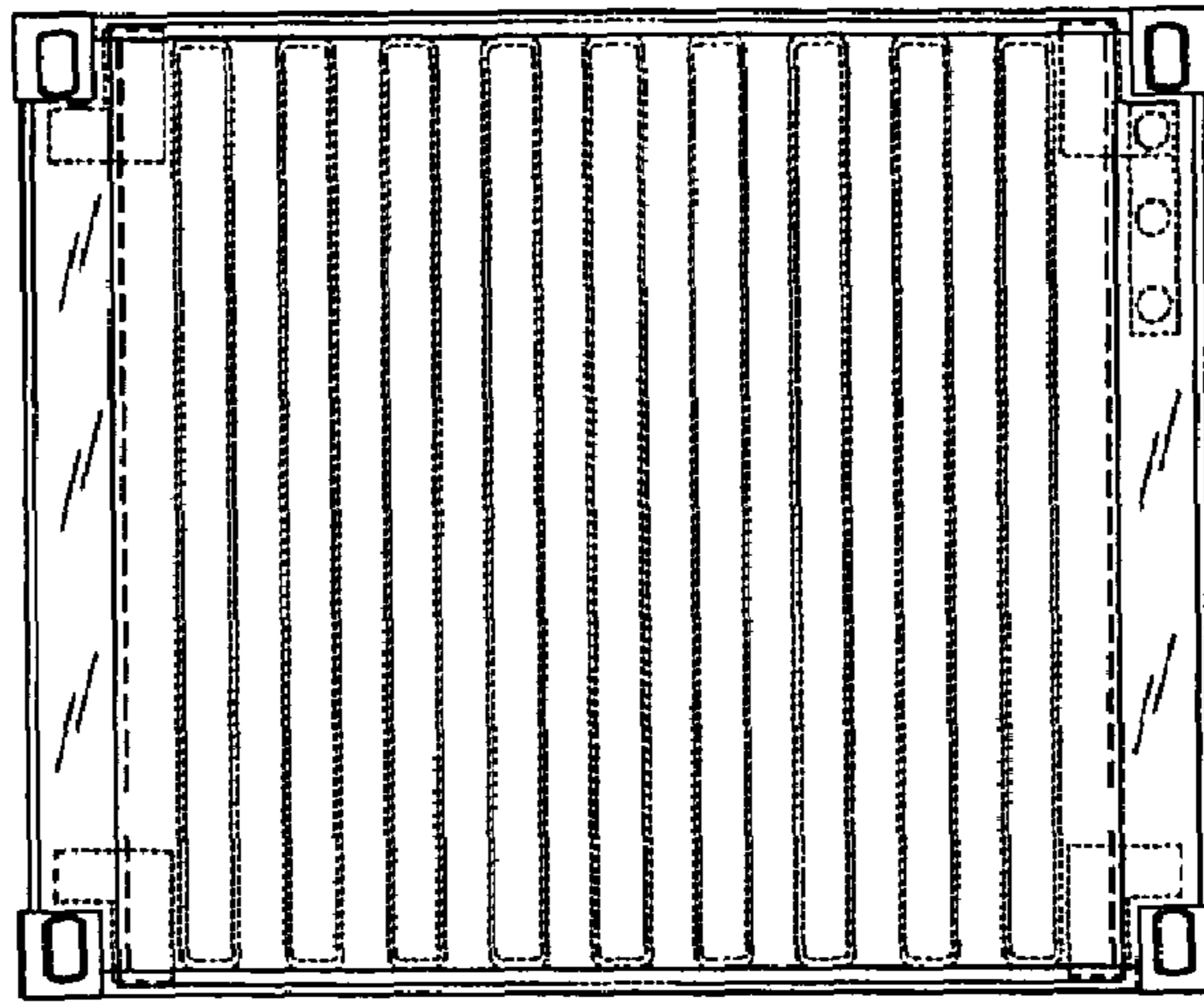


FIG. 6

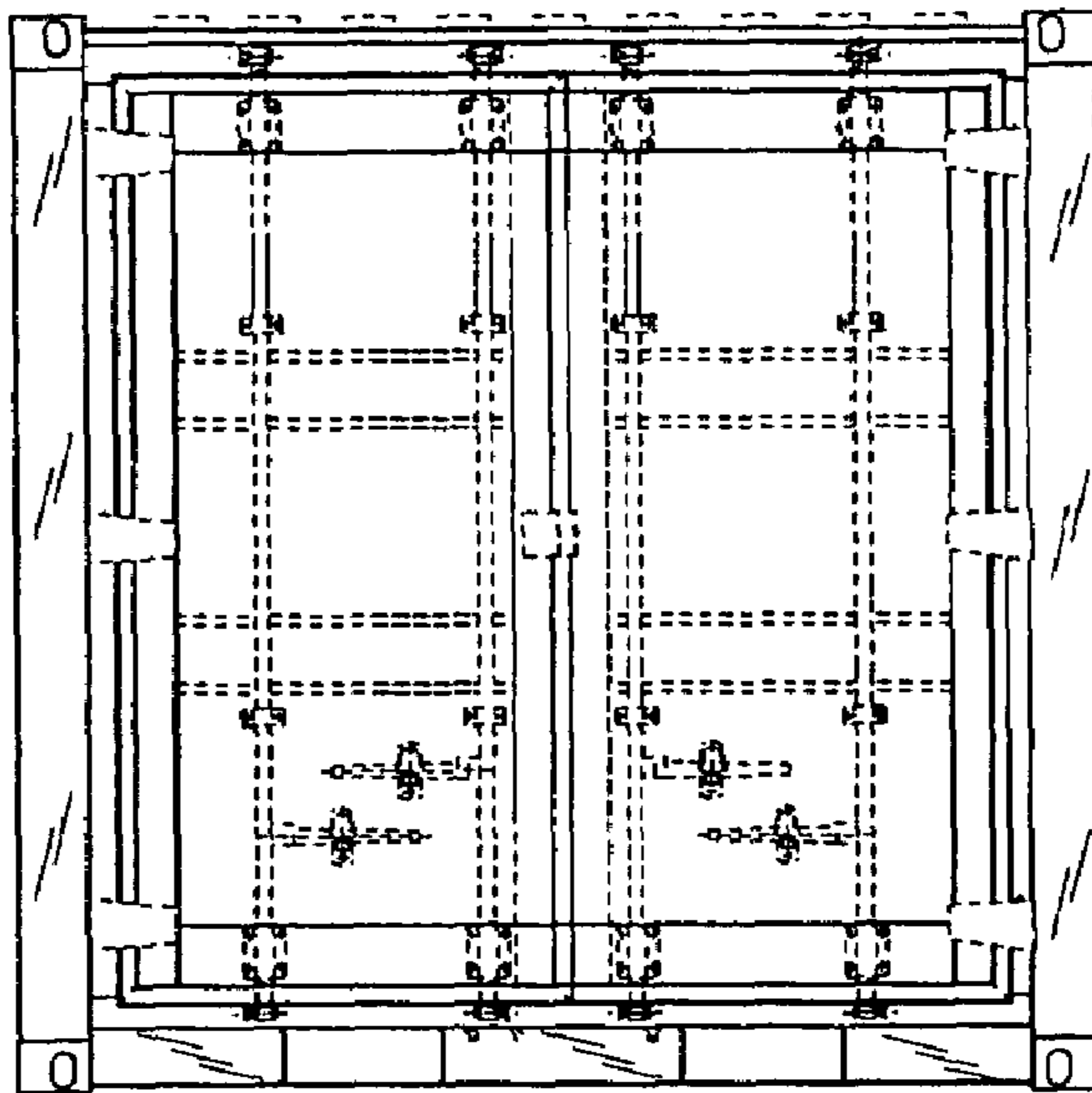


FIG. 7

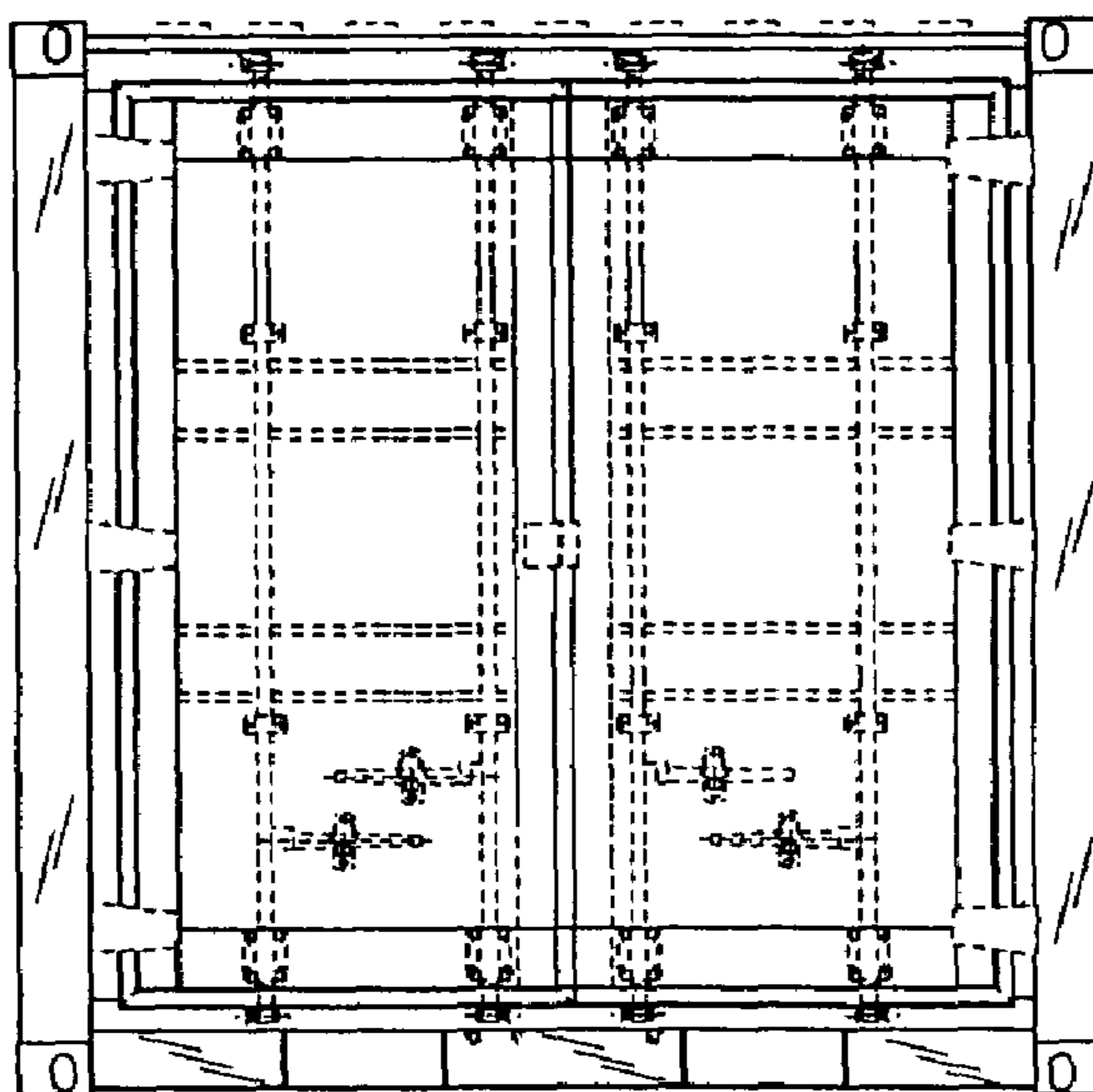


FIG. 8

