



US00D546021S

(12) **United States Design Patent** (10) **Patent No.:** **US D546,021 S**
Splain et al. (45) **Date of Patent:** **** Jul. 3, 2007**

(54) **SHOPPING CART**

OTHER PUBLICATIONS

(75) Inventors: **William D. Splain**, Brooklyn Park, MN (US); **Robert D. Peota**, Minneapolis, MN (US); **Alexandre Hennen**, Cambridge, MA (US); **Allan Cameron**, Natick, MA (US); **Mark T. Ryan**, Haskell, OK (US); **David L. Pruitt, Jr.**, Brookland, AR (US)

Plastic shopping cart web page, IPT, Inc., available at http://www.inplastech.com/Products_EX11575WM_LG.asp; printed out Jan. 24, 2006. (2 pages).

(Continued)

(73) Assignee: **Target Brands, Inc.**, Minneapolis, MN (US)

Primary Examiner—Freda S. Nunn
Assistant Examiner—Kevin K. Rudzinski
(74) *Attorney, Agent, or Firm*—Dicke, Billig & Czaja, P.L.L.C.

(**) Term: **14 Years**

(57) **CLAIM**

(21) Appl. No.: **29/271,229**

The ornamental design for a shopping cart, as shown and described.

(22) Filed: **Jan. 12, 2007**

Related U.S. Application Data

DESCRIPTION

(63) Continuation of application No. 29/267,189, filed on Oct. 6, 2006, which is a continuation of application No. 29/238,739, filed on Sep. 19, 2005, now Pat. No. Des. 530,478.

FIG. 1 is an isometric view of a shopping cart, with elements in dashed lines forming no part of the claimed design.

(51) **LOC (8) Cl.** **12-02**

(52) **U.S. Cl.** **D34/27**

(58) **Field of Classification Search** D34/1-11, D34/12-27; 220/4.01; 280/33.991, 33.992, 280/33.993, 33.994, 33.995, 33.996, 33.997, 280/33.998

FIG. 2 is a front view of a shopping cart, with elements in dashed lines forming no part of the claimed design and a dashed box identifying a portion of shopping cart illustrated in FIG. 3.

See application file for complete search history.

FIG. 3 is an enlarged front view of a portion of the shopping cart shown in the dashed box of FIG. 2, with elements in dashed lines forming no part of the claimed design.

(56) **References Cited**

FIG. 4 is a rear view of a shopping cart, with elements in dashed lines forming no part of the claimed design.

U.S. PATENT DOCUMENTS

2,479,530 A 8/1949 Watson

FIG. 5 is a right side view of a shopping cart, with elements in dashed lines forming no part of the claimed design.

(Continued)

FOREIGN PATENT DOCUMENTS

EP 0 115 439 1/1984

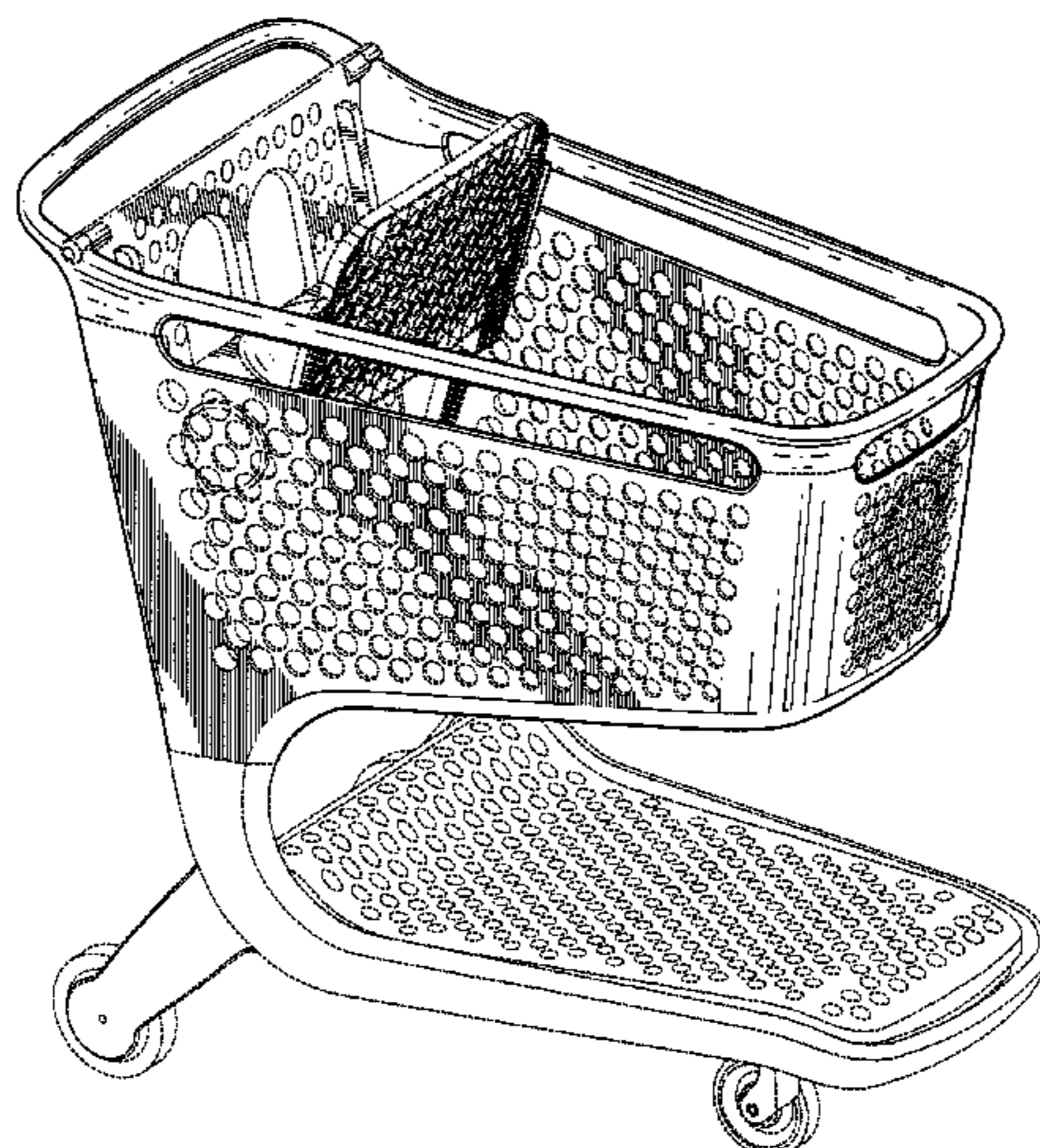
FIG. 6 is a top view of a shopping cart, with elements in dashed lines forming no part of the claimed design.

(Continued)

FIG. 7 is a bottom view of a shopping cart, with elements in dashed lines forming no part of the claimed design; and,

FIG. 8 is a left side view of a shopping cart, with elements in dashed lines forming no part of the claimed design.

1 Claim, 8 Drawing Sheets



U.S. PATENT DOCUMENTS

D155,971 S 11/1949 Concklin
 D156,701 S * 1/1950 Concklin D34/22
 D156,702 S 1/1950 Concklin
 2,527,953 A 10/1950 Muffley
 2,906,542 A 9/1959 Hoedinghaus et al.
 D188,841 S * 9/1960 Umanoff D34/18
 2,997,311 A 8/1961 Umanoff
 3,048,420 A 8/1962 Umanoff
 D198,448 S 6/1964 Moran
 3,195,912 A 7/1965 Howard et al.
 3,346,271 A * 10/1967 Parsons 280/33.998
 3,614,133 A 10/1971 Ganci et al.
 D231,336 S 4/1974 Wahl
 3,999,774 A 12/1976 Rehrig
 4,046,394 A 9/1977 Thompson, Jr.
 D247,953 S 5/1978 Rehrig
 4,123,077 A 10/1978 Joseph
 4,139,098 A 2/1979 Mollon
 4,273,346 A 6/1981 Rehrig
 4,376,502 A 3/1983 Cohen
 4,478,344 A 10/1984 Rehrig
 D277,532 S 2/1985 Duhamel
 4,537,413 A 8/1985 Rehrig
 4,555,123 A 11/1985 Rehrig
 D283,264 S 4/1986 Levy-Joseph
 4,632,411 A 12/1986 Badger
 4,650,199 A 3/1987 Rehrig
 D294,419 S 2/1988 Rehrig
 D296,259 S 6/1988 Rehrig
 4,865,338 A 9/1989 Rehrig
 4,922,639 A 5/1990 Rehrig
 4,930,795 A 6/1990 Tannehill et al.
 D311,983 S 11/1990 Rehrig
 D317,219 S 5/1991 Rehrig
 D326,550 S 5/1992 Waterman
 5,111,604 A 5/1992 Rehrig
 5,203,578 A 4/1993 Davidson et al.
 5,210,968 A 5/1993 Rehrig
 5,255,930 A 10/1993 Jones et al.
 5,289,936 A 3/1994 Jones et al.
 5,331,756 A 7/1994 Rehrig
 5,368,318 A 11/1994 Rehrig et al.
 D359,828 S 6/1995 Lindberg
 5,441,288 A 8/1995 Rehrig
 5,458,347 A 10/1995 Chiv
 D364,961 S 12/1995 Rehrig
 5,553,877 A 9/1996 Huang
 D377,255 S 1/1997 Rehrig
 5,613,696 A 3/1997 De Luna
 D382,999 S 9/1997 Rehrig
 D384,815 S 10/1997 Rehrig
 5,791,666 A * 8/1998 Mainard 280/33.991
 D400,679 S 11/1998 Kern et al.
 5,865,448 A 2/1999 Kern et al.
 5,871,286 A 2/1999 Kern et al.
 D411,264 S 6/1999 Huang
 5,915,704 A 6/1999 Segura de Luna
 D412,046 S 7/1999 Rehrig et al.
 5,947,313 A 9/1999 Kern et al.
 5,961,133 A 10/1999 Perry
 D426,365 S * 6/2000 Rehrig et al. D34/27
 6,155,580 A 12/2000 Symons
 D443,968 S 6/2001 Porter
 D444,281 S 6/2001 Gaze et al.

D445,231 S 7/2001 Porter
 6,270,093 B1 8/2001 Johnson et al.
 D468,880 S 1/2003 Porter
 D470,292 S 2/2003 Johnson et al.
 6,540,240 B2 4/2003 Nadeau et al.
 6,572,122 B2 6/2003 Johnson et al.
 6,589,458 B2 7/2003 DeCost
 6,669,212 B2 12/2003 Porter
 6,705,623 B2 3/2004 Nadeau et al.
 6,736,415 B1 5/2004 Lenihan
 6,761,364 B2 7/2004 Murar et al.
 6,805,365 B2 10/2004 Lantz
 2002/0135144 A1 9/2002 Murar et al.
 2003/0151217 A1* 8/2003 Trubiano 280/33.997
 2004/0046341 A1* 3/2004 Wilkinson 280/33.991

FOREIGN PATENT DOCUMENTS

EP 0 161 108 3/1985
 EP 0 161 890 3/1985
 WO WO 93/02903 2/1993
 WO WO 93/11018 6/1993
 WO WO 95/03201 2/1995
 WO WO 96/04161 2/1996
 WO WO 97/30880 8/1997

OTHER PUBLICATIONS

The Supercart Hyper Trolley web page, Supercart, available at <http://www.supercart.com/supercart/page.asp?SectionID=2&PageID=3>; printed out May 13, 2005. (1 page).
 The Supercart Mid Size Supercart Trolley web page, Supercart, available at <http://www.supercart.com/supercart/page.asp?SectionID=2&PageID=4>; printed out May 13, 2005 (1 page).
 The Supercart Grocer Trolley web page, Supercart, available at <http://www.supercart.com/supercart/page.asp?SectionID=2&PageID=5>; printed out May 13, 2005 (1 page).
 The Full Size all-plastic Supercart trolley web page, Supercart, available at <http://www.supercart.com/supercart/page.asp?SectionID=2&PageID=6>; printed out May 13, 2005 (2 pages).
 Photo of Cart from Greeley, Colorado, icon on public display 2nd Quarter 2004.
 Photos (pp 2) of SuperCart Shopping Trolley at Euroshop Tradeshow in Dusseldorf, Germany in Feb. 19-23, 2005.
 ARRK Prototype Brochure (pp. 2) documenting Supercart Trolley display in Feb. 29-23, 2005.
 Photo A of Handbasket on display at Euroshop Tradeshow in Dusseldorf, Germany in Feb. 19-23, 2005.
 Photo B of Handbasket on display at Euroshop Tradeshow in Dusseldorf, Germany in Feb. 19-23, 2005.
 Pending U.S. Appl. No. 11/231,283, inventor Peota et al., filed Sep. 19, 2005.
 Pending U.S. Appl. No. 11/231,307, inventor Splain et al., filed Sep. 19, 2005.
 Pending U.S. Appl. No. 11/231,313, inventor Splain et al., filed Sep. 19, 2005.
 Pending U.S. Appl. No. 11/231,343, inventor Splain et al., filed Sep. 19, 2005.
 Pending U.S. Appl. No. 11/231,344, inventor Splain et al., filed Sep. 19, 2005.
 Pending U.S. Appl. No. 11/231,364, inventor Splain et al., filed Sep. 19, 2005.
 Pending U.S. Appl. No. 29/238,740, inventor Splain et al., filed Sep. 19, 2005.
 US 5,201,134, 04/1993, Rehrig et al. (withdrawn)

* cited by examiner

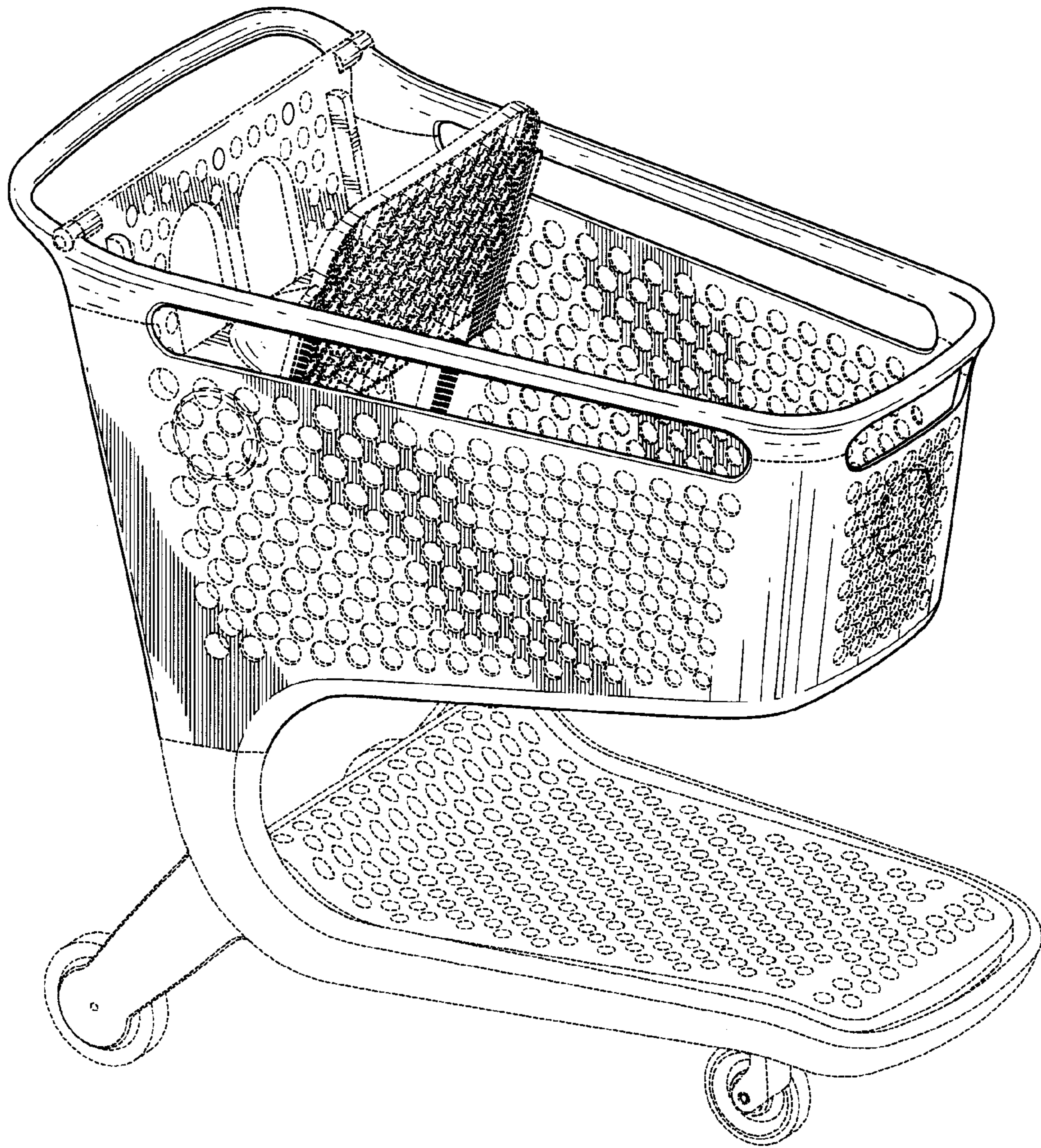


Fig. 1

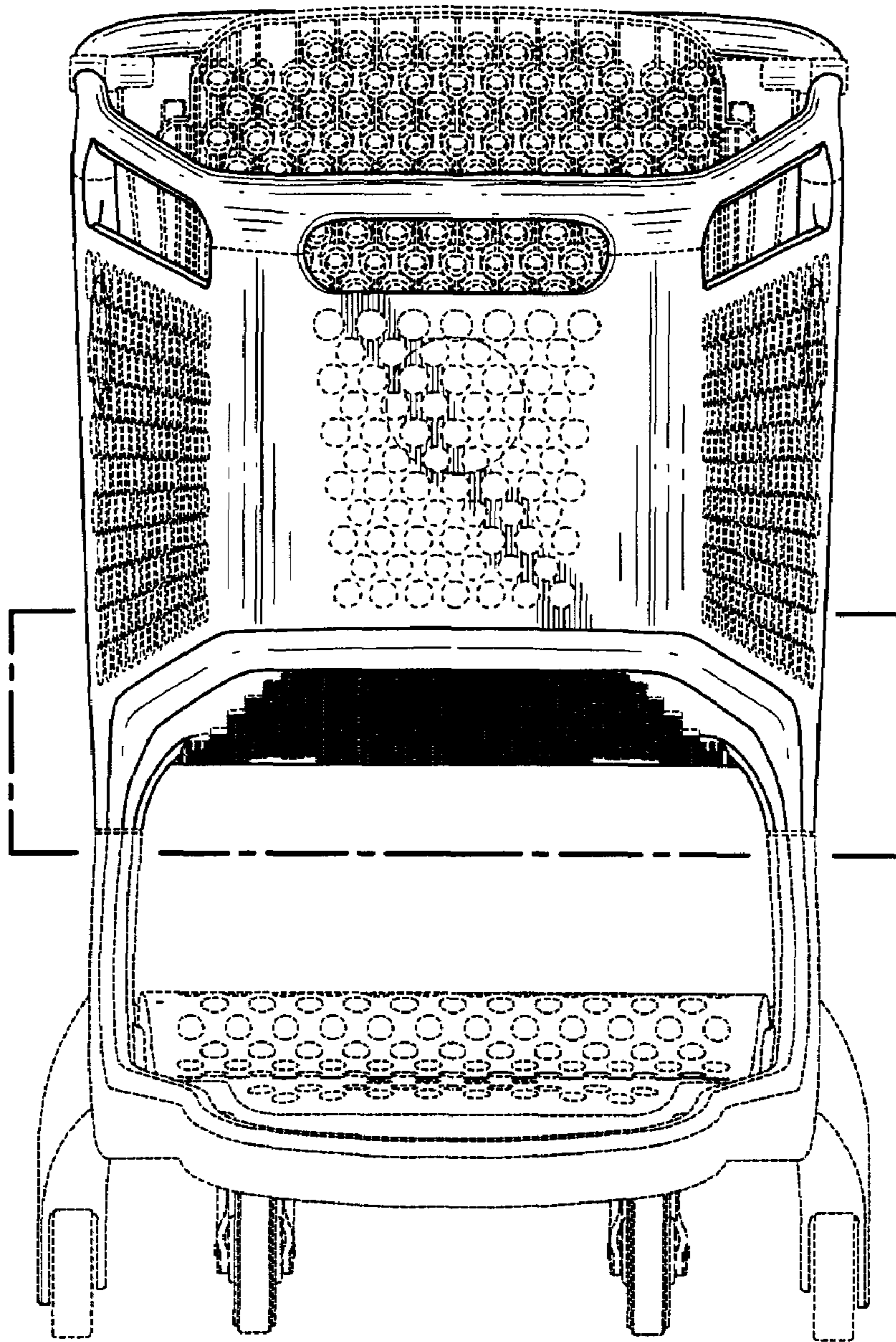


Fig. 2

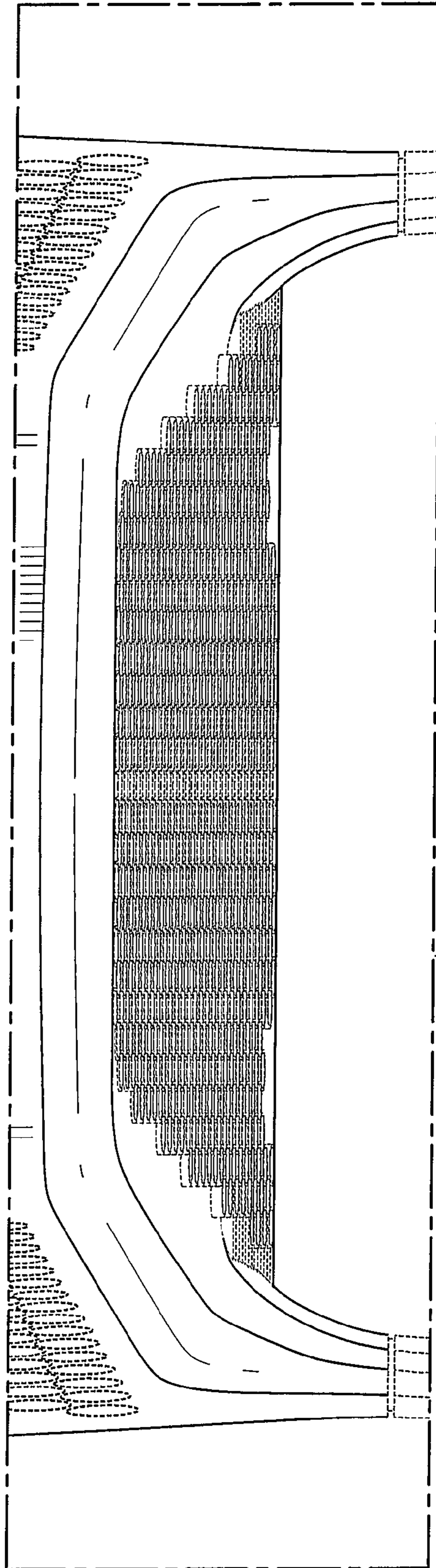


Fig. 3

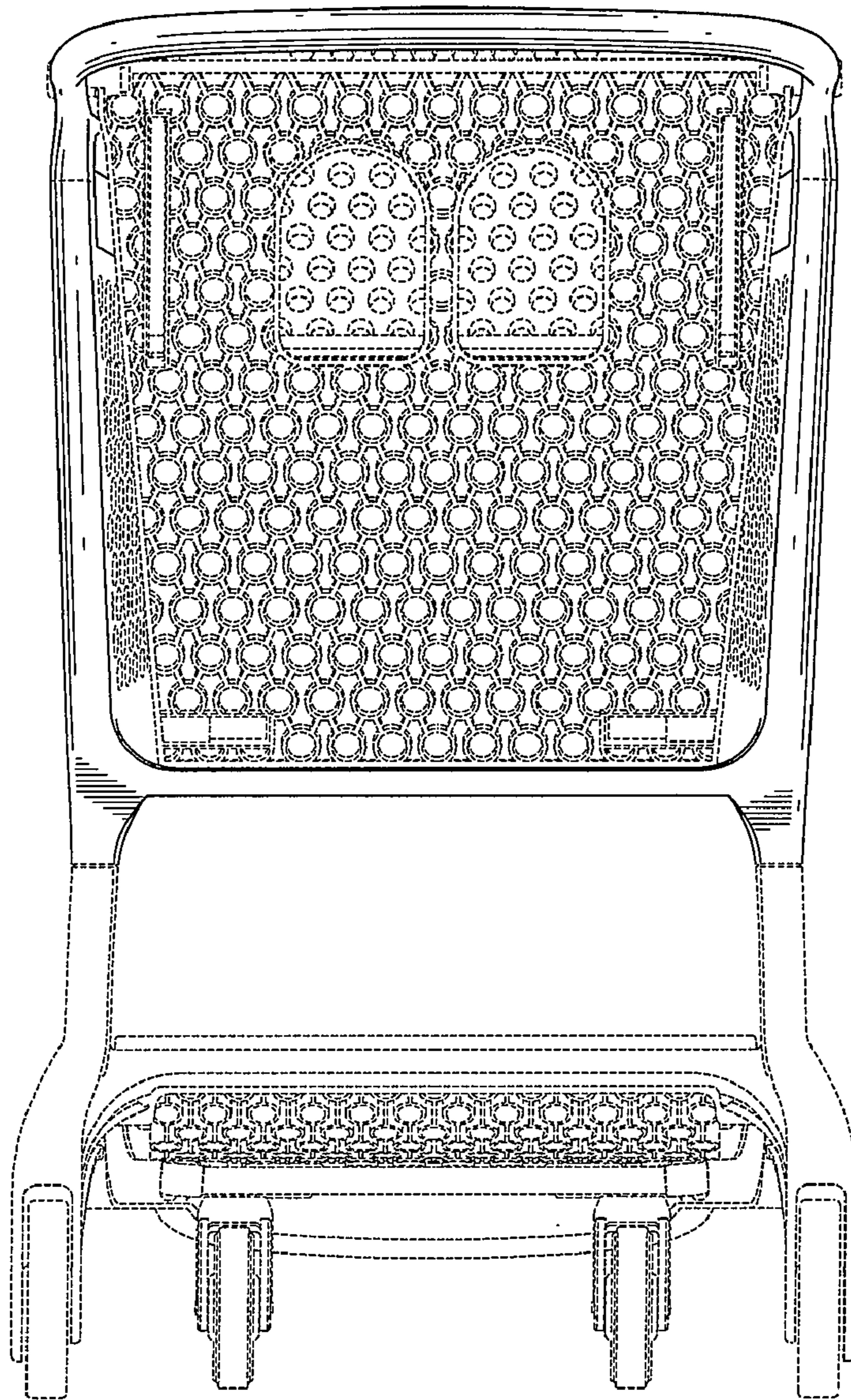


Fig. 4

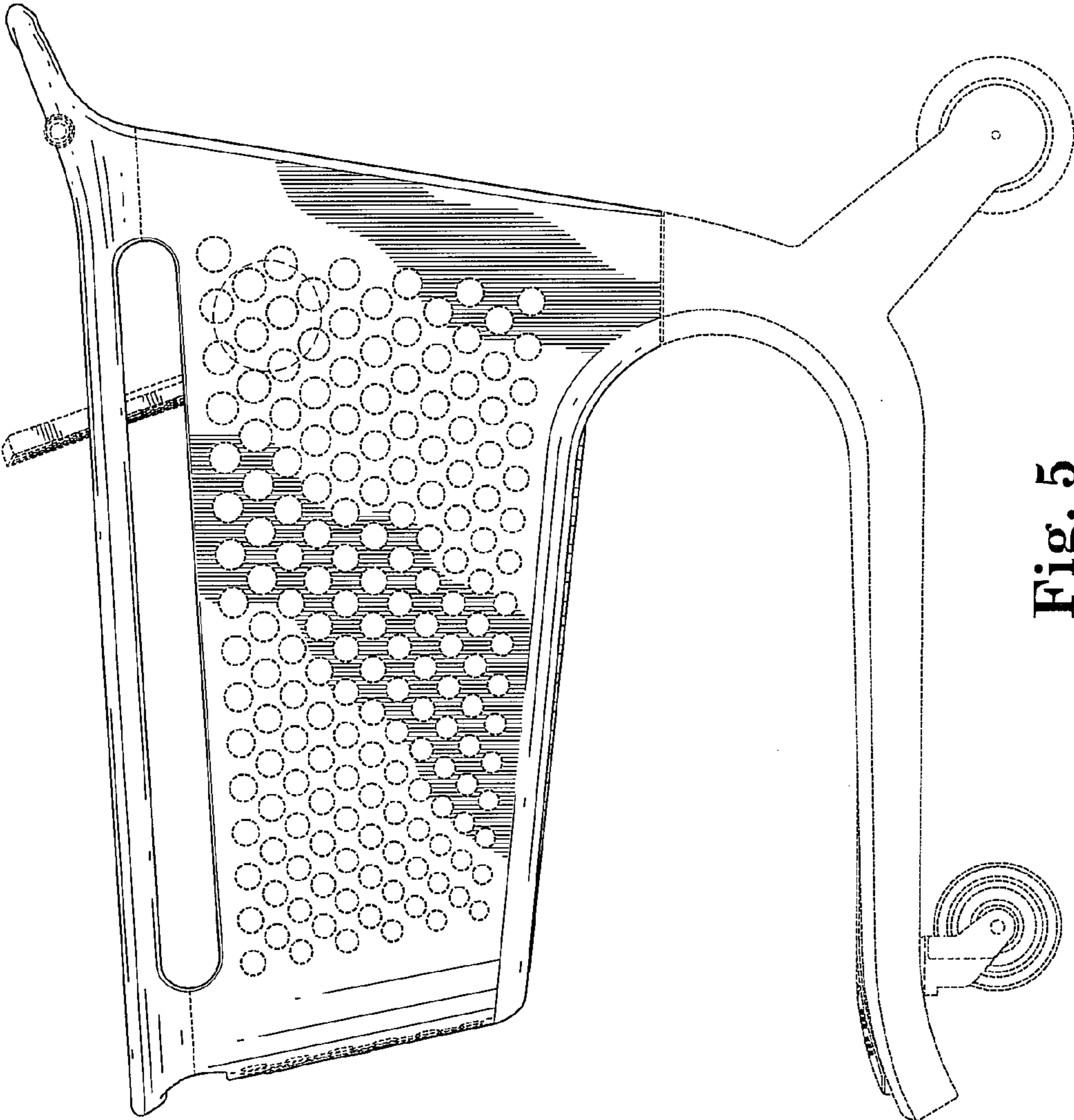


Fig. 5

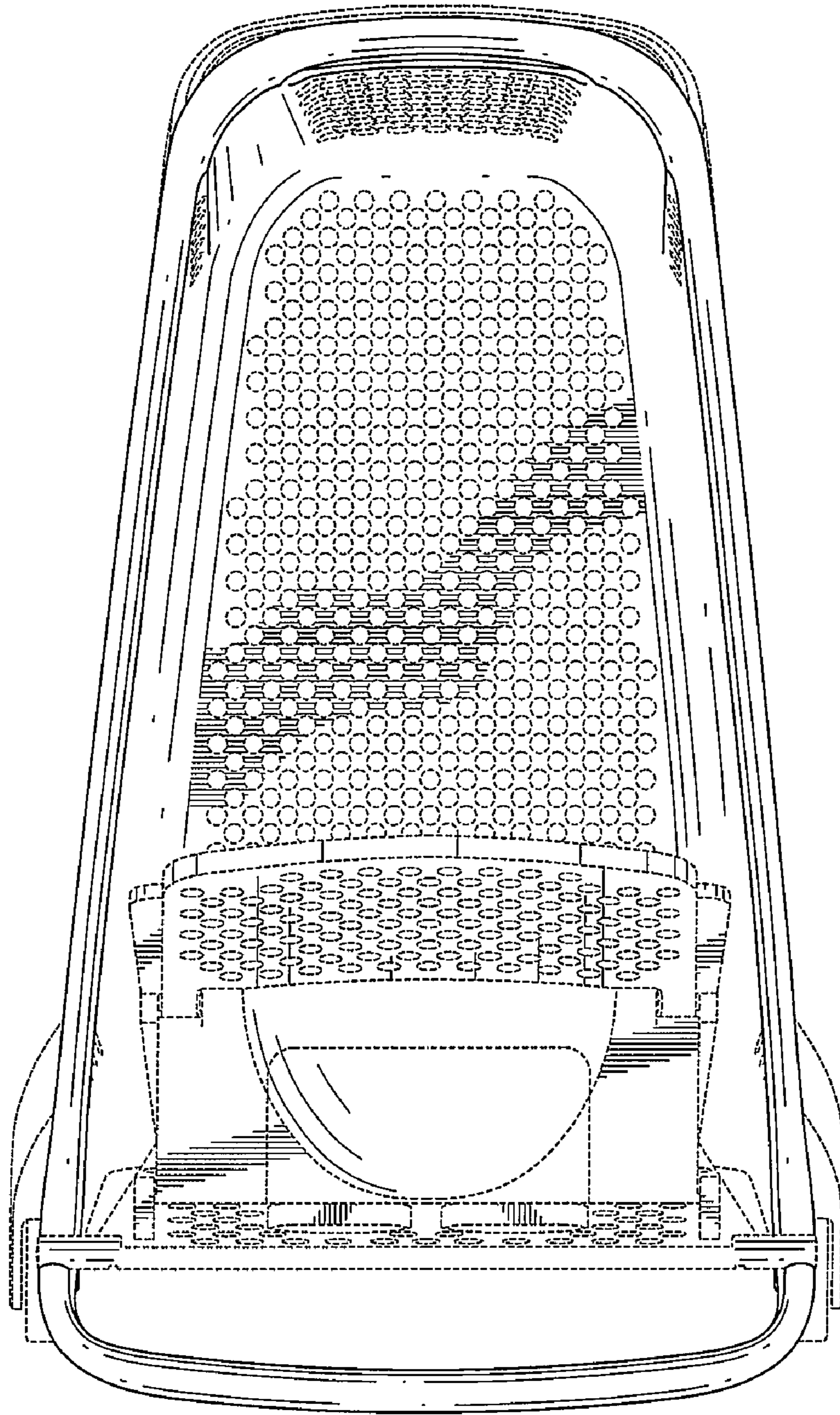


Fig. 6

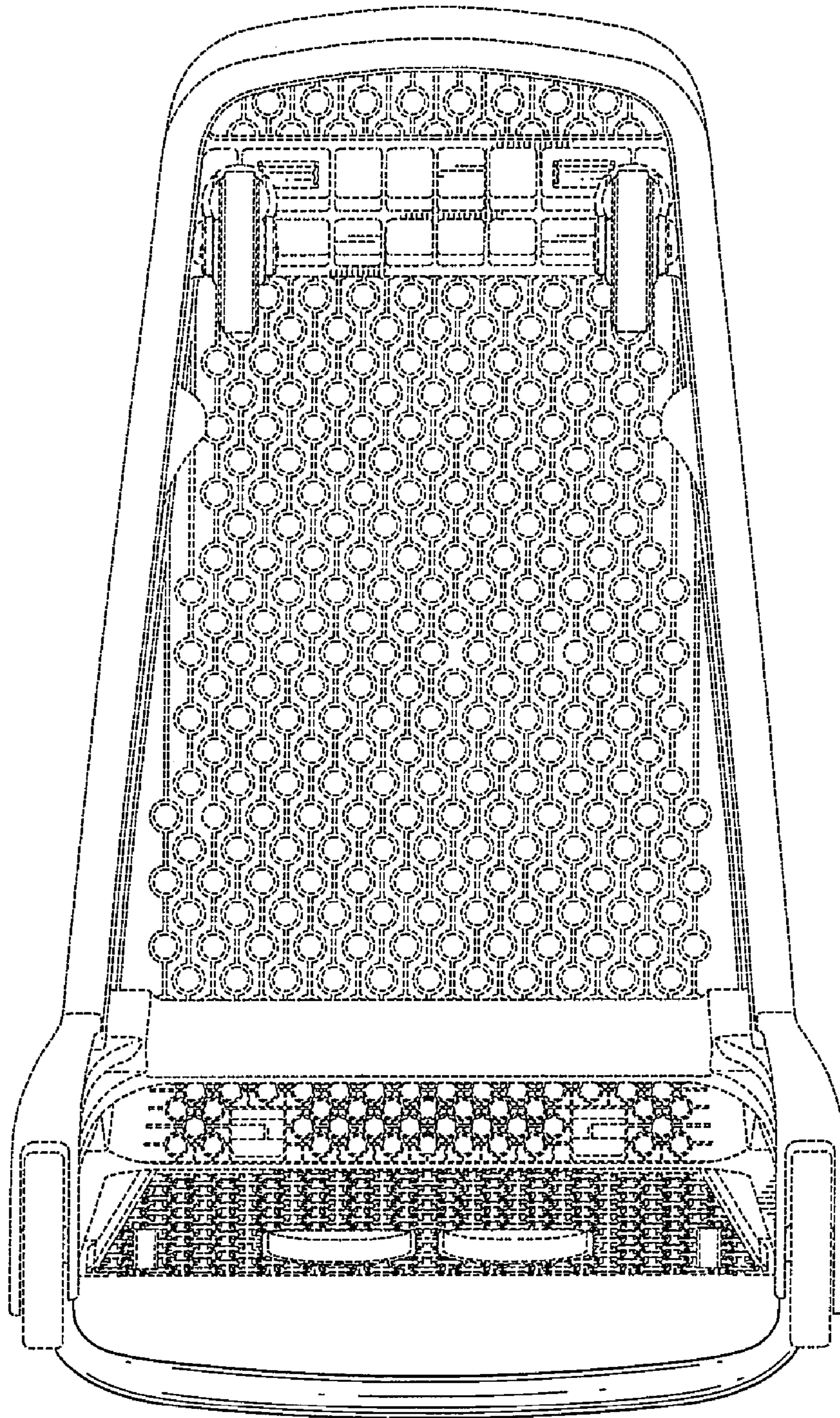


Fig. 7

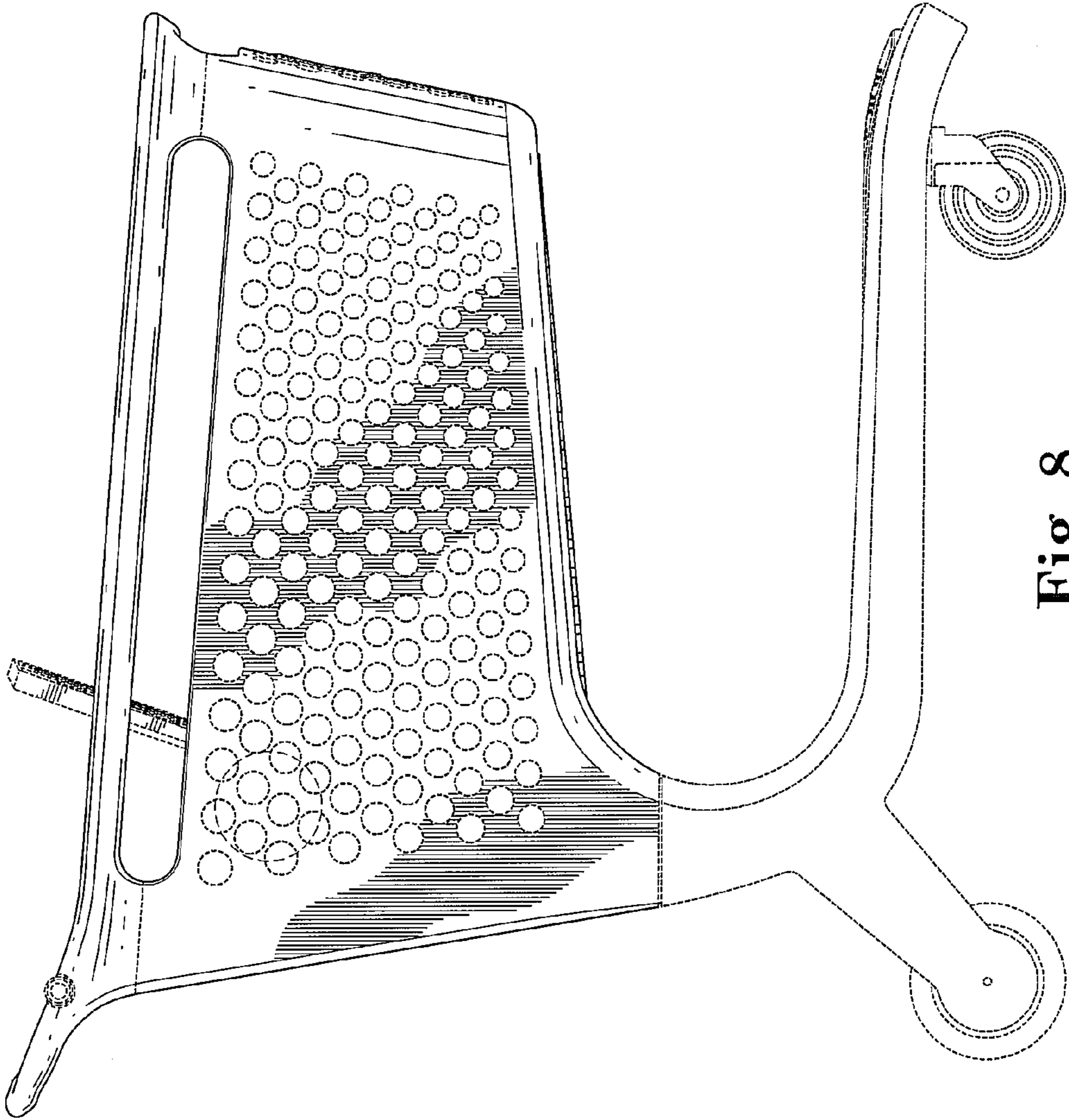


Fig. 8