



US00D546018S

(12) **United States Design Patent**
Goodell

(10) **Patent No.:** **US D546,018 S**

(45) **Date of Patent:** **** Jul. 3, 2007**

(54) **SHOPPING CART**

D493,932 S * 8/2004 Prather et al. D34/21

(76) Inventor: **Donald Philip Goodell**, P.O. Box 337,
5382 Murfreesboro Park, La Vergne, TN
(US) 37086

OTHER PUBLICATIONS
New Era Products, Inc. catalog of store fixtures, storage & handling
equipment, NE301.

(**) Term: **14 Years**

* cited by examiner

(21) Appl. No.: **29/246,420**

Primary Examiner—Cynthia E. Ramirez
(74) *Attorney, Agent, or Firm*—Smith Gambrell & Russell
LLP

(22) Filed: **Apr. 10, 2006**

(51) **LOC (8) Cl.** **12-02**

(52) **U.S. Cl.** **D34/21**

(58) **Field of Classification Search** D34/12-27;
280/33.991, 33.992, 33.993, 33, 33.994,
280/47.35, 47.18, 47.24, 47.27

See application file for complete search history.

(57) **CLAIM**

The ornamental design for an shopping cart, as shown and
described.

(56) **References Cited**

DESCRIPTION

U.S. PATENT DOCUMENTS

D240,297 S	6/1976	Trubiano	
D282,499 S	2/1986	Alstrom	
D331,135 S	11/1992	Lewandowski et al.	
D365,904 S	1/1996	Adamson	
D367,348 S	2/1996	Basharat	
D379,834 S	6/1997	Huang	
D386,873 S	11/1997	D'Estaintot et al.	
D399,625 S	10/1998	Murphy et al.	
D407,882 S *	4/1999	Duchene	D34/12
D449,913 S *	10/2001	Walter	D34/21
D452,055 S *	12/2001	Van Holsteijn et al.	D34/20
D455,243 S *	4/2002	Walter	D34/21
D472,027 S *	3/2003	Walter	D34/21

FIG. 1 is a perspective view of a shopping cart of the present
invention;

FIG. 2 is a perspective view as illustrated in FIG. 1 with
shopping baskets offset therefrom;

FIG. 3 is a left side view of the shopping cart illustrated in
FIG. 1, with the right side being a mirror image thereto;

FIG. 4 is a front view thereof;

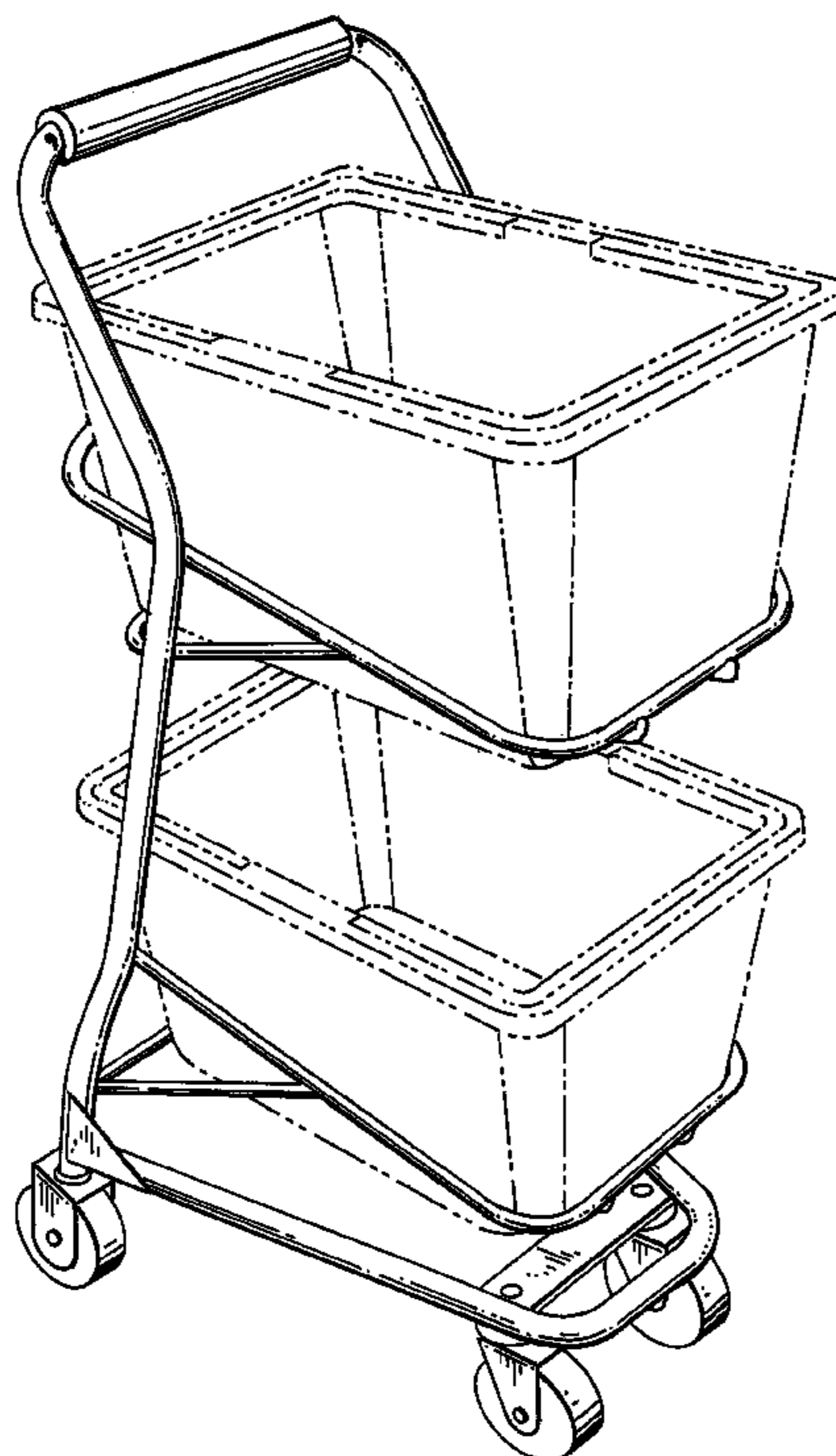
FIG. 5 is a top view thereof;

FIG. 6 is a bottom view thereof; and,

FIG. 7 is a rear view thereof.

The broken line showing of the baskets in FIG. 1 is included
for the purpose of illustrating environmental structure and
forms no part of the claimed design.

1 Claim, 4 Drawing Sheets



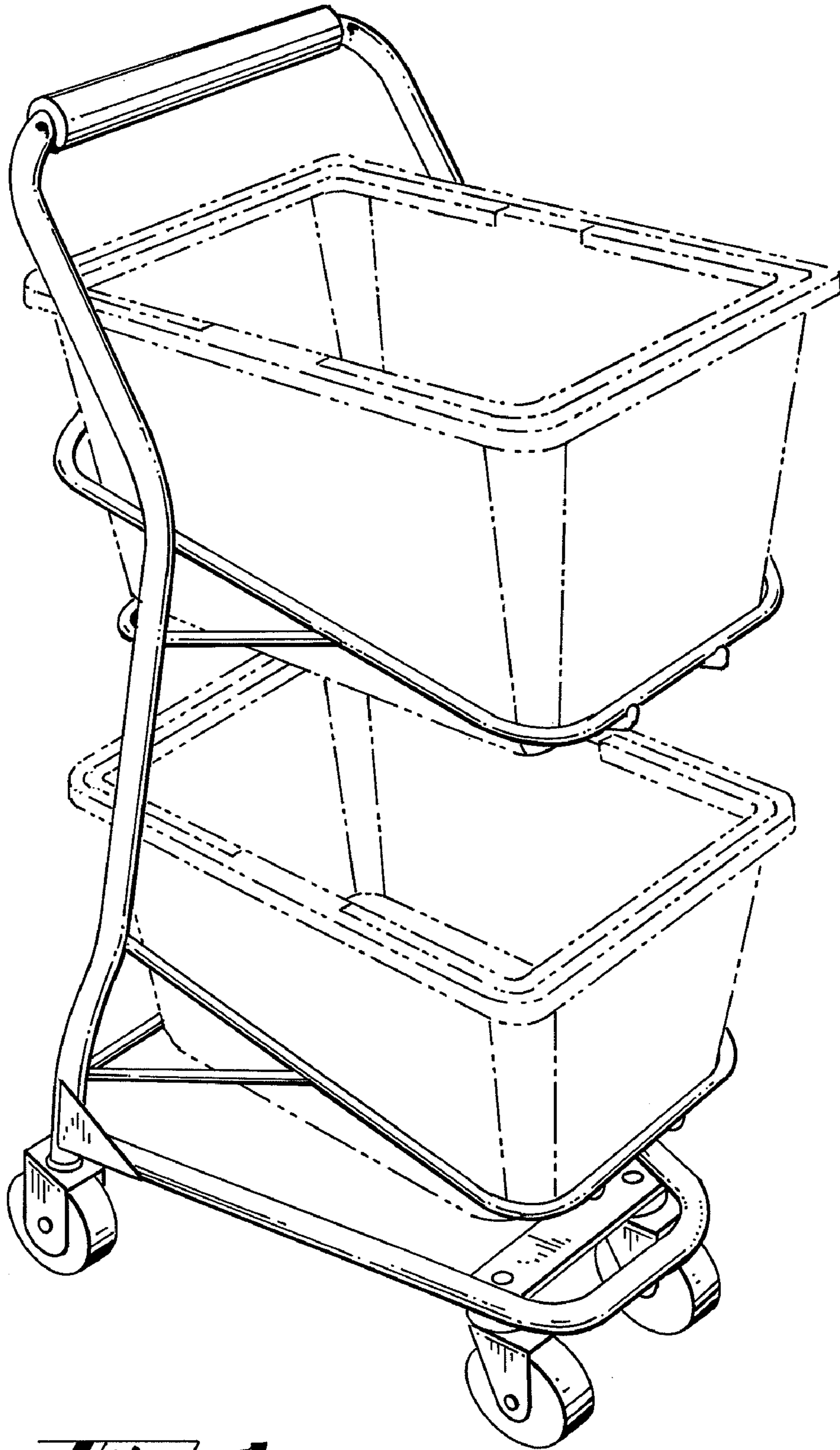


Fig. 1



Fig. 2

Fig. 4

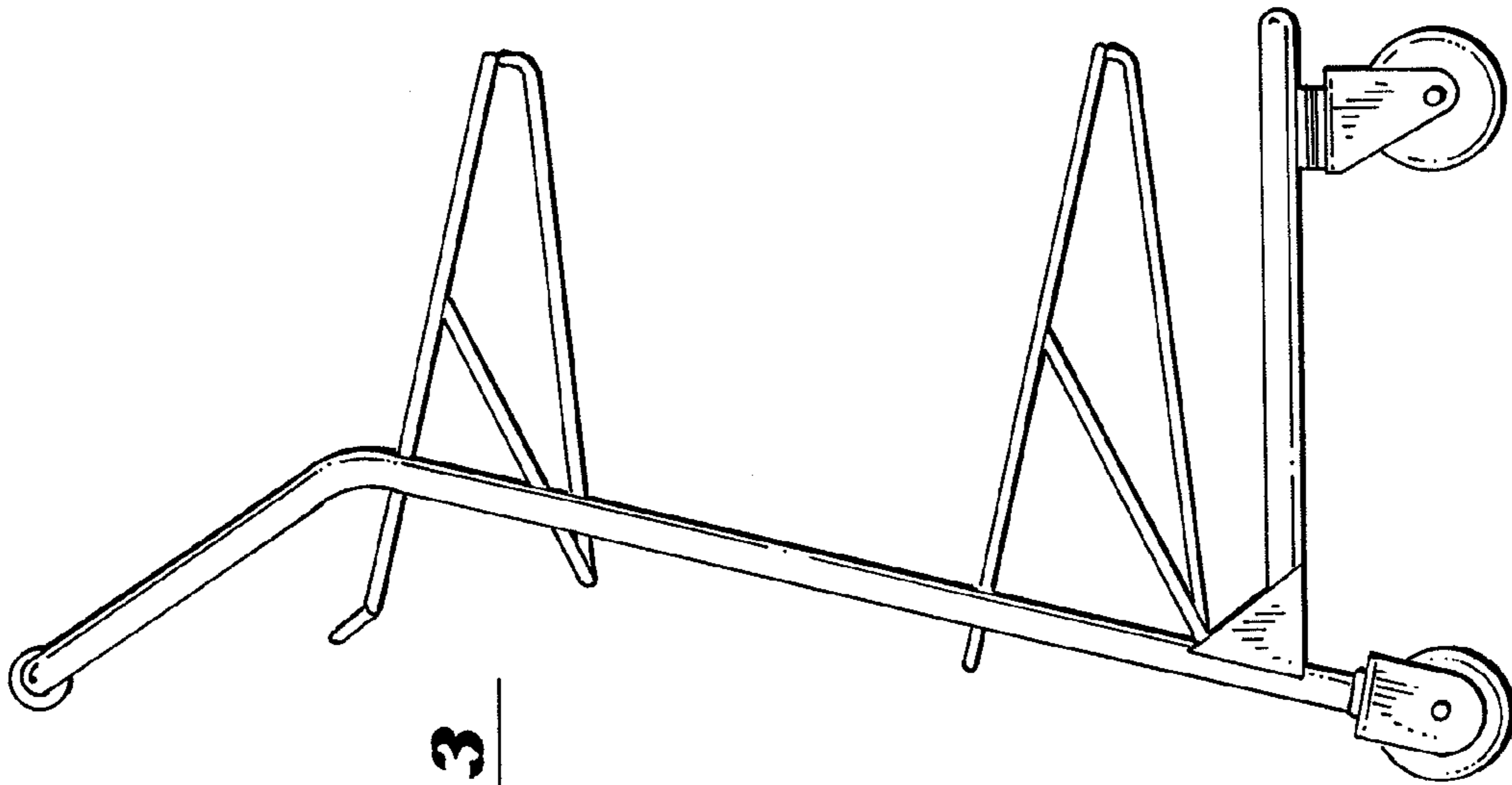
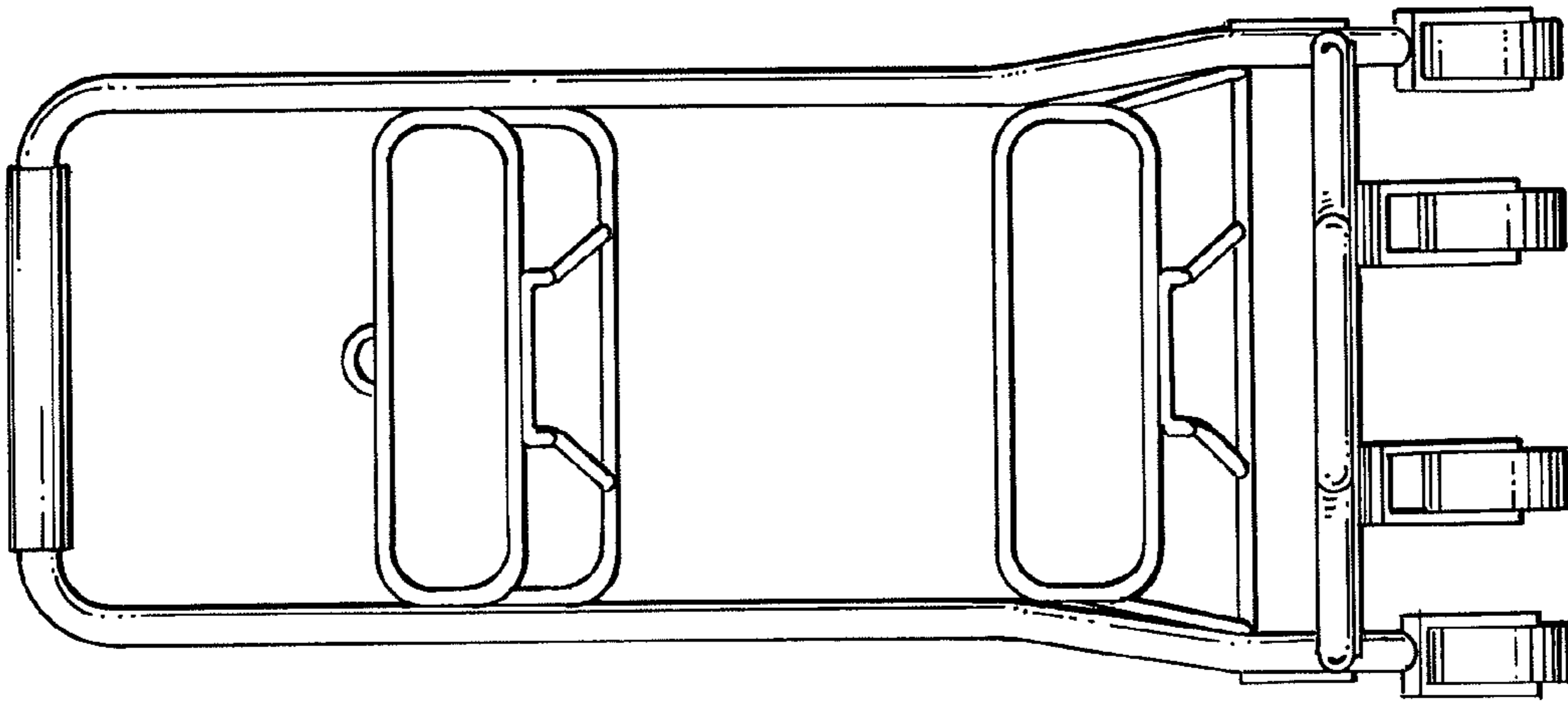


Fig. 3

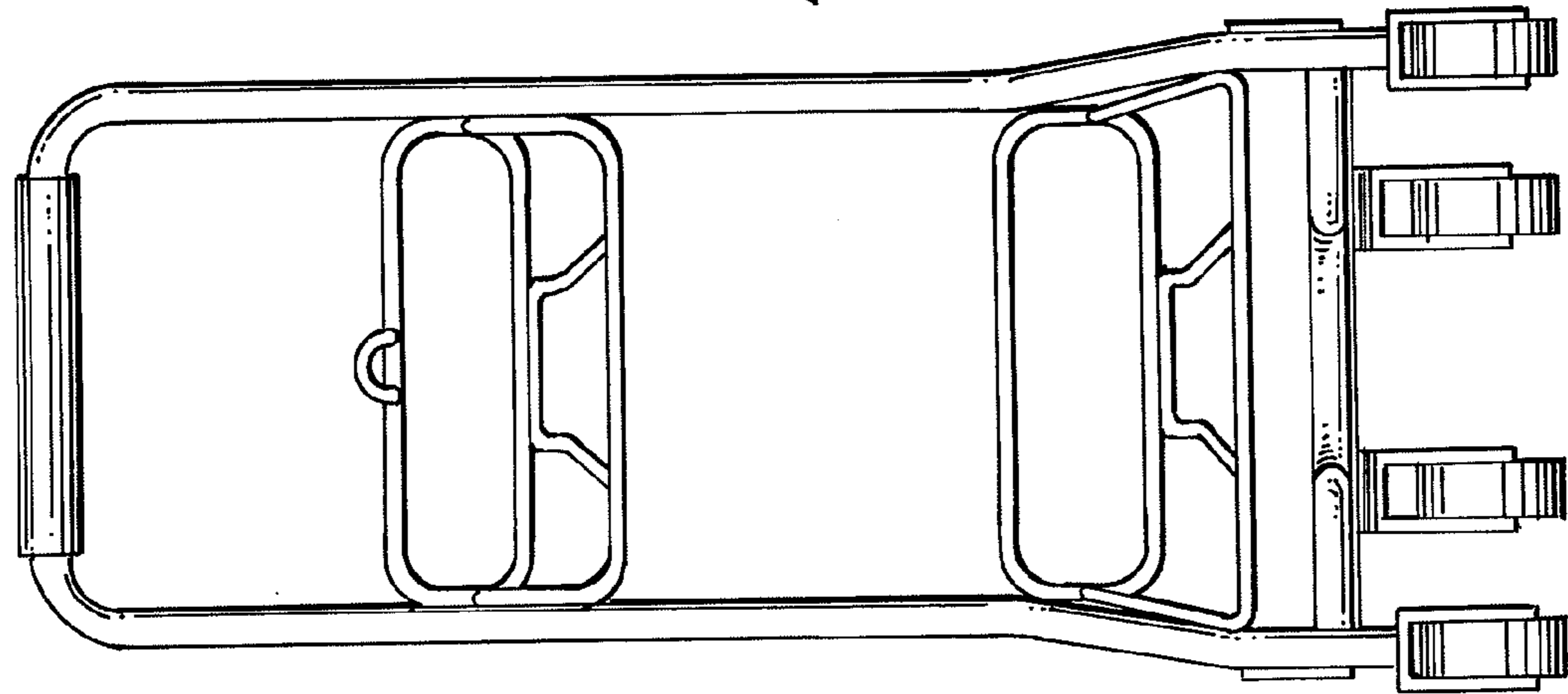


Fig. 7

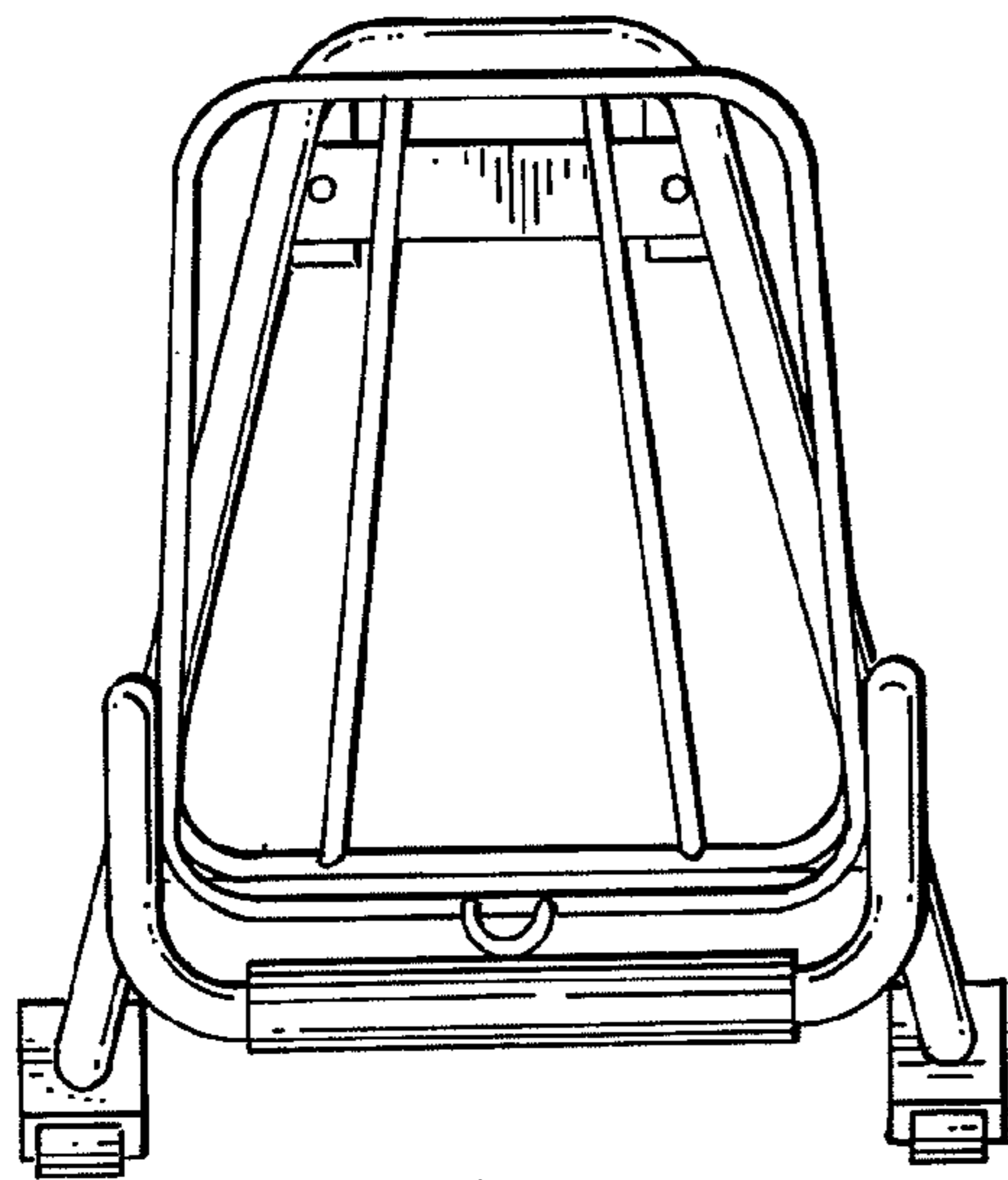


Fig. 5

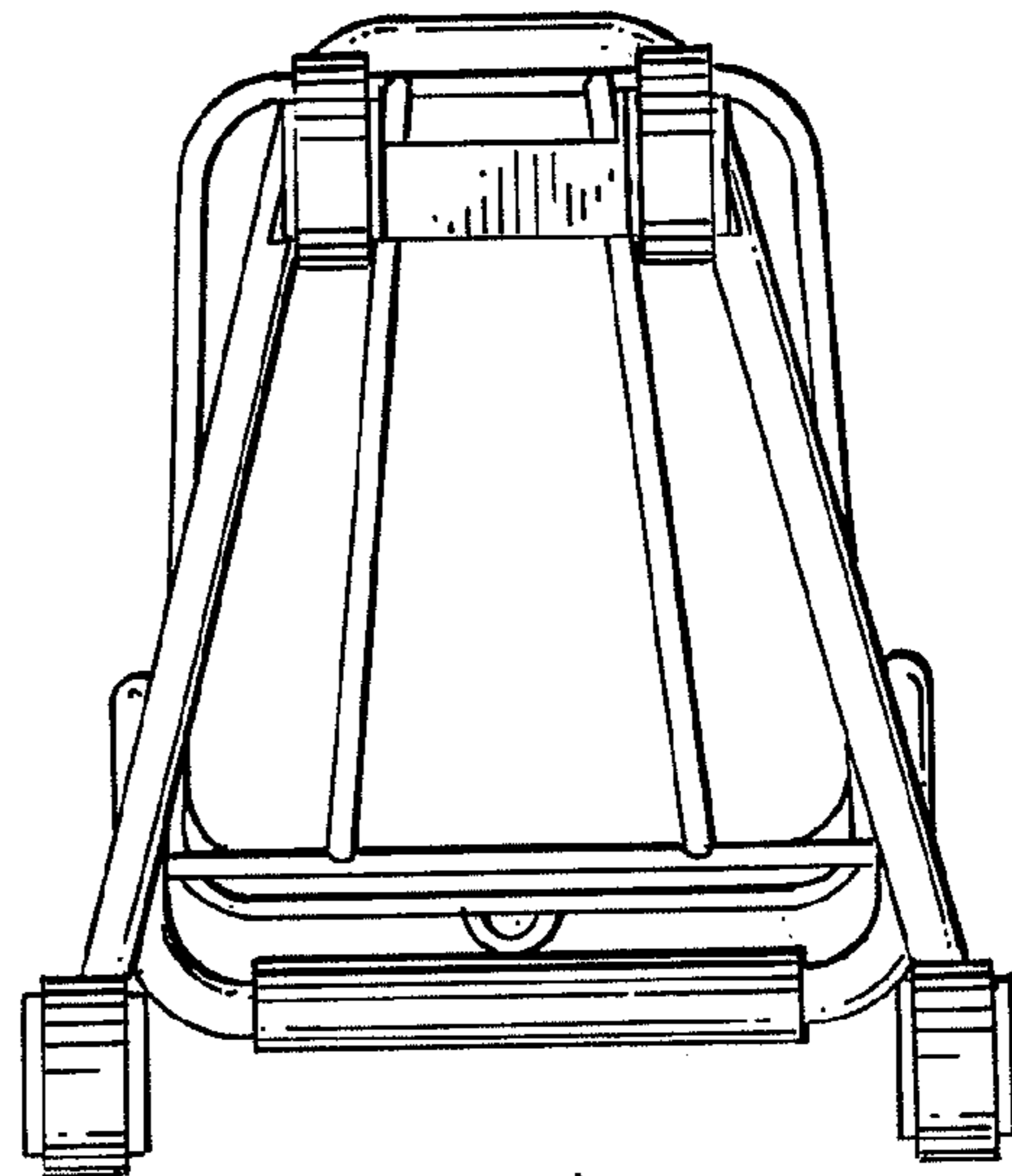


Fig. 6