



US00D546017S

(12) **United States Design Patent** (10) **Patent No.:** **US D546,017 S**
Wise (45) **Date of Patent:** **** Jul. 3, 2007**

(54) **TOOL CART**

(76) Inventor: **Robert W. Wise**, 365 Ely Rd.,
Petaluma, CA (US) 94954

(**) Term: **14 Years**

(21) Appl. No.: **29/261,634**

(22) Filed: **Jun. 15, 2006**

(51) **LOC (8) Cl.** **12-02**

(52) **U.S. Cl.** **D34/19**

(58) **Field of Classification Search** D34/12-27;
280/638, 639, 642, 651, 659, 47.39, 47.35,
280/79.11, 79.3

See application file for complete search history.

(56) **References Cited**

U.S. PATENT DOCUMENTS

| | | | | | |
|-----------|-----|---------|-------------------|-------|---------|
| 3,168,271 | A * | 2/1965 | Deschenes | | 248/129 |
| D323,913 | S * | 2/1992 | Ernsberger et al. | | D34/5 |
| D352,357 | S * | 11/1994 | Ashley | | D24/189 |
| D457,704 | S * | 5/2002 | Fiscus et al. | | D34/20 |
| D493,593 | S * | 7/2004 | Anderson | | D34/14 |

* cited by examiner

Primary Examiner—Cynthia E. Ramirez
(74) *Attorney, Agent, or Firm*—Black Lowe & Graham
PLLC

(57) **CLAIM**

The ornamental design for a tool cart, as shown and described.

DESCRIPTION

FIG. 1 is a front left isometric perspective view of a tool cart showing my new design.

FIG. 2 is a rear left isometric view thereof.

FIG. 3 is a front elevational view thereof.

FIG. 4 is a rear elevational view thereof.

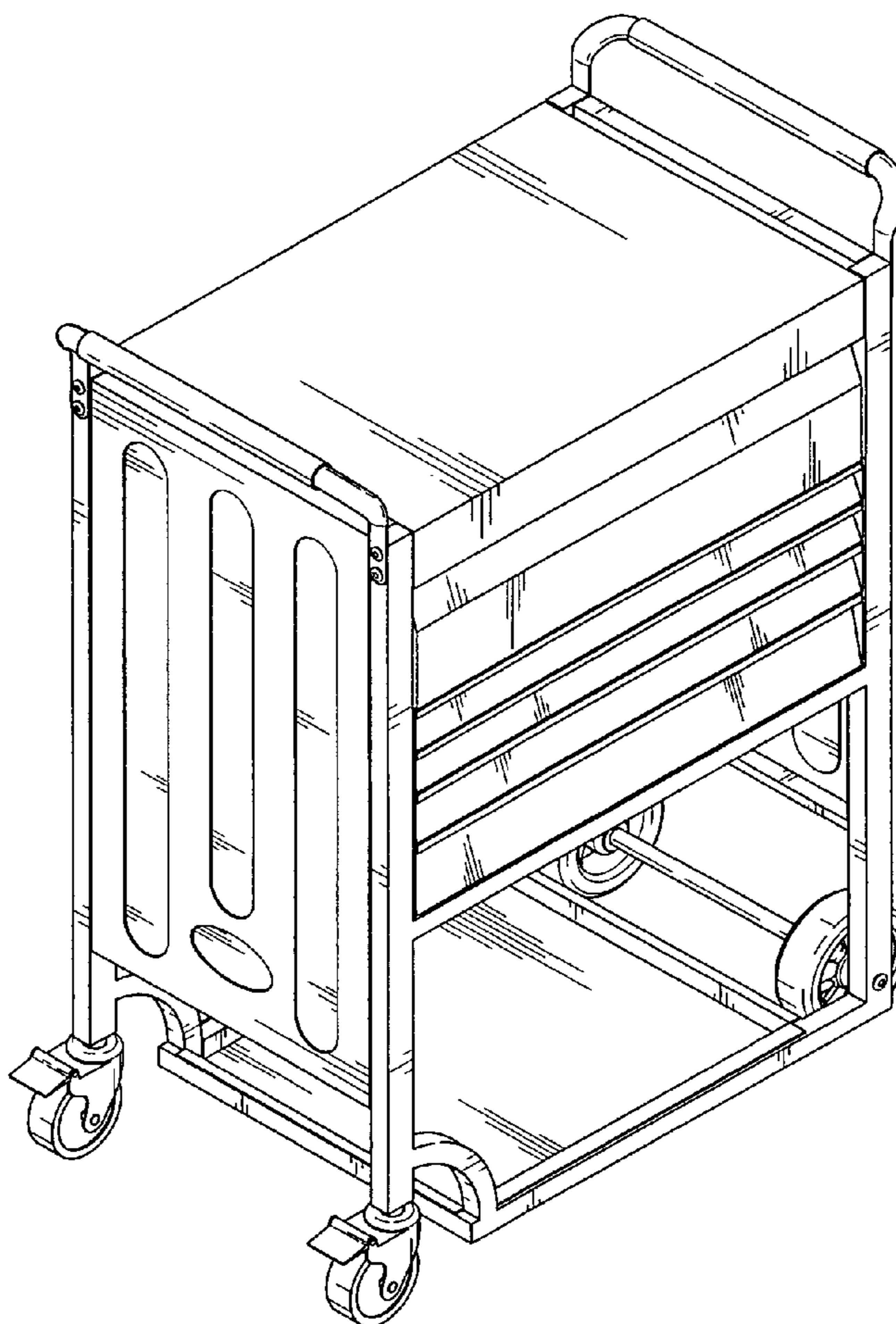
FIG. 5 is a right elevational view thereof.

FIG. 6 is a left elevational view thereof.

FIG. 7 is a top plan view thereof; and,

FIG. 8 is a bottom plan view thereof.

1 Claim, 5 Drawing Sheets



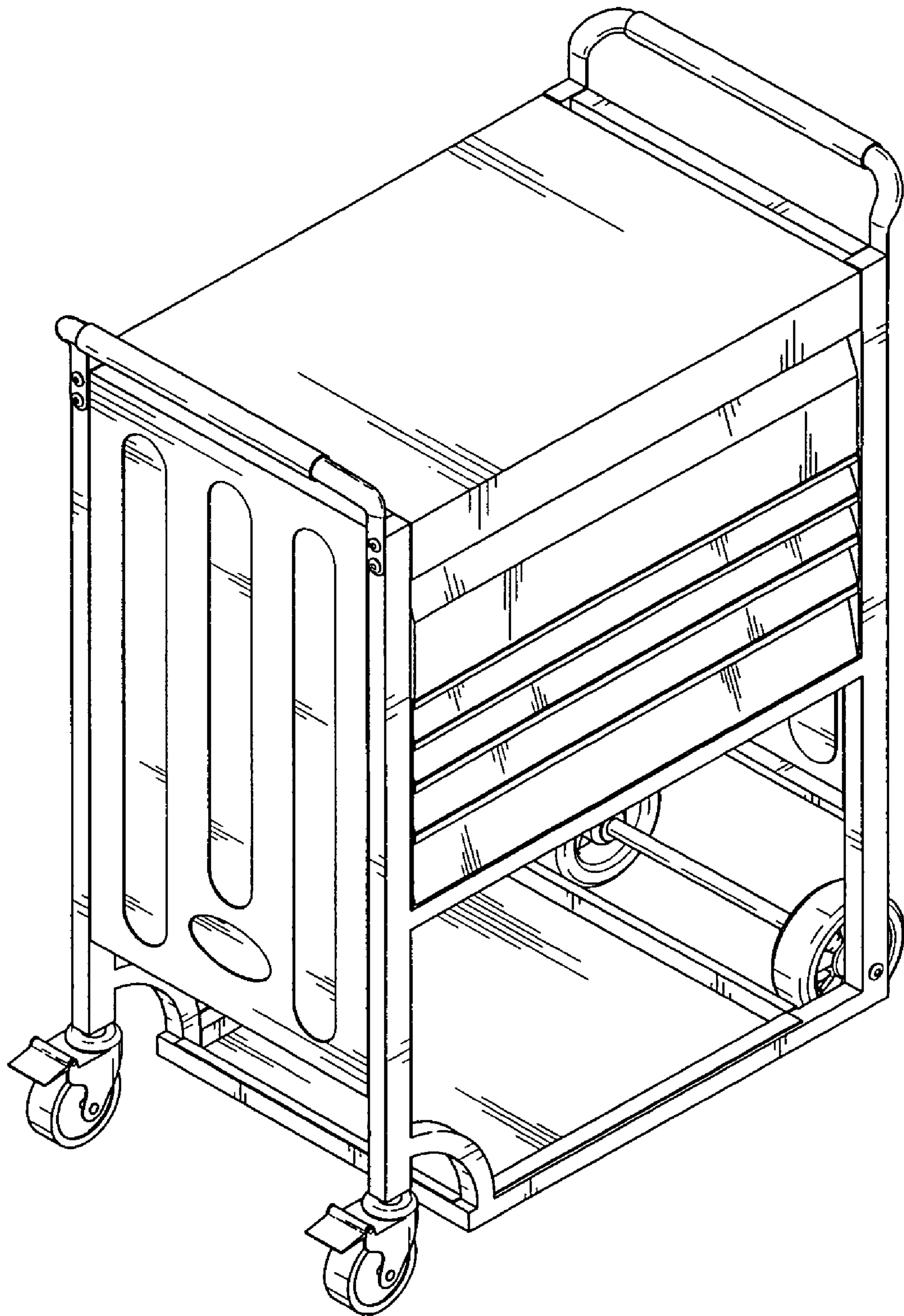


Fig. 1

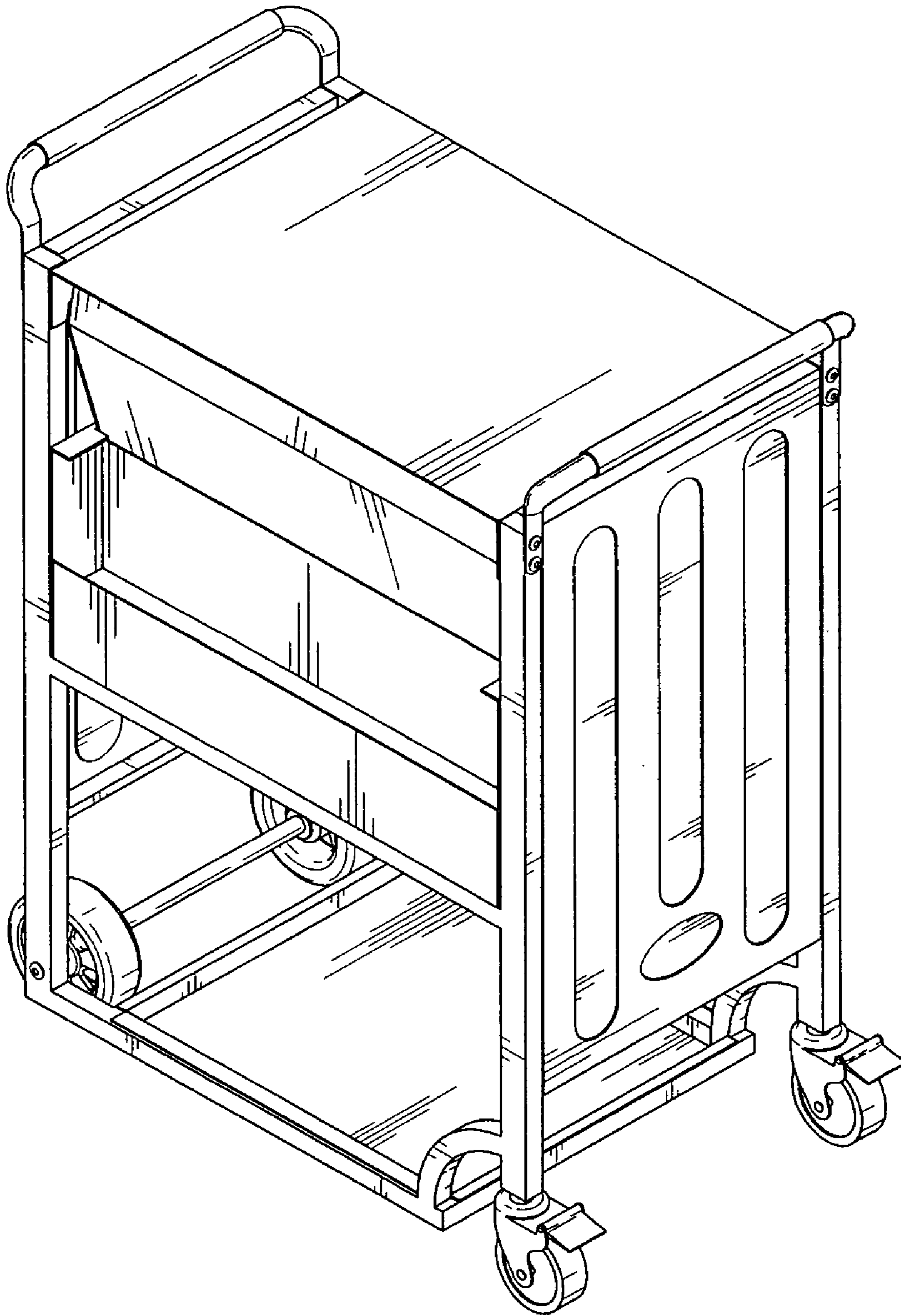


Fig. 2

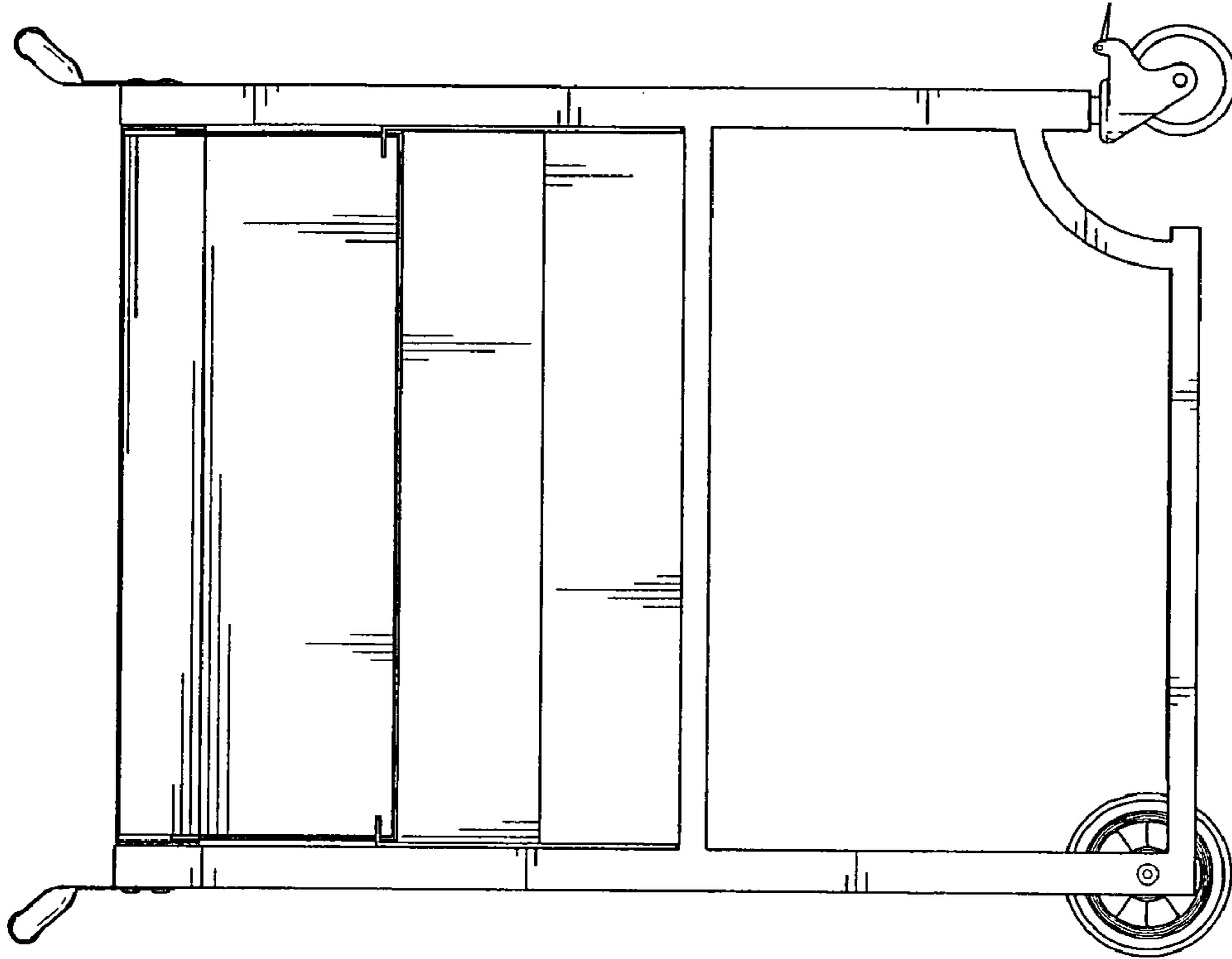


Fig. 4

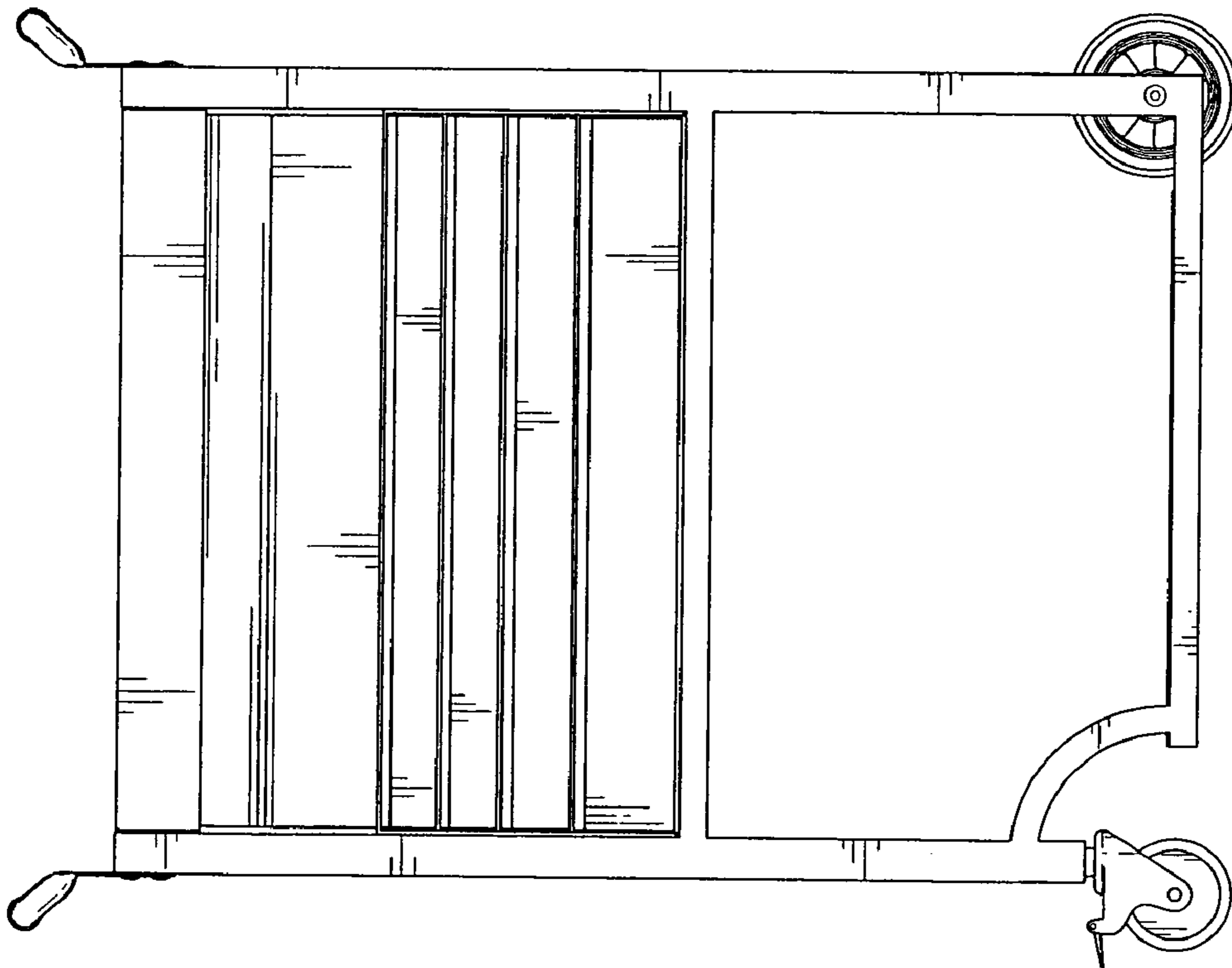


Fig. 3

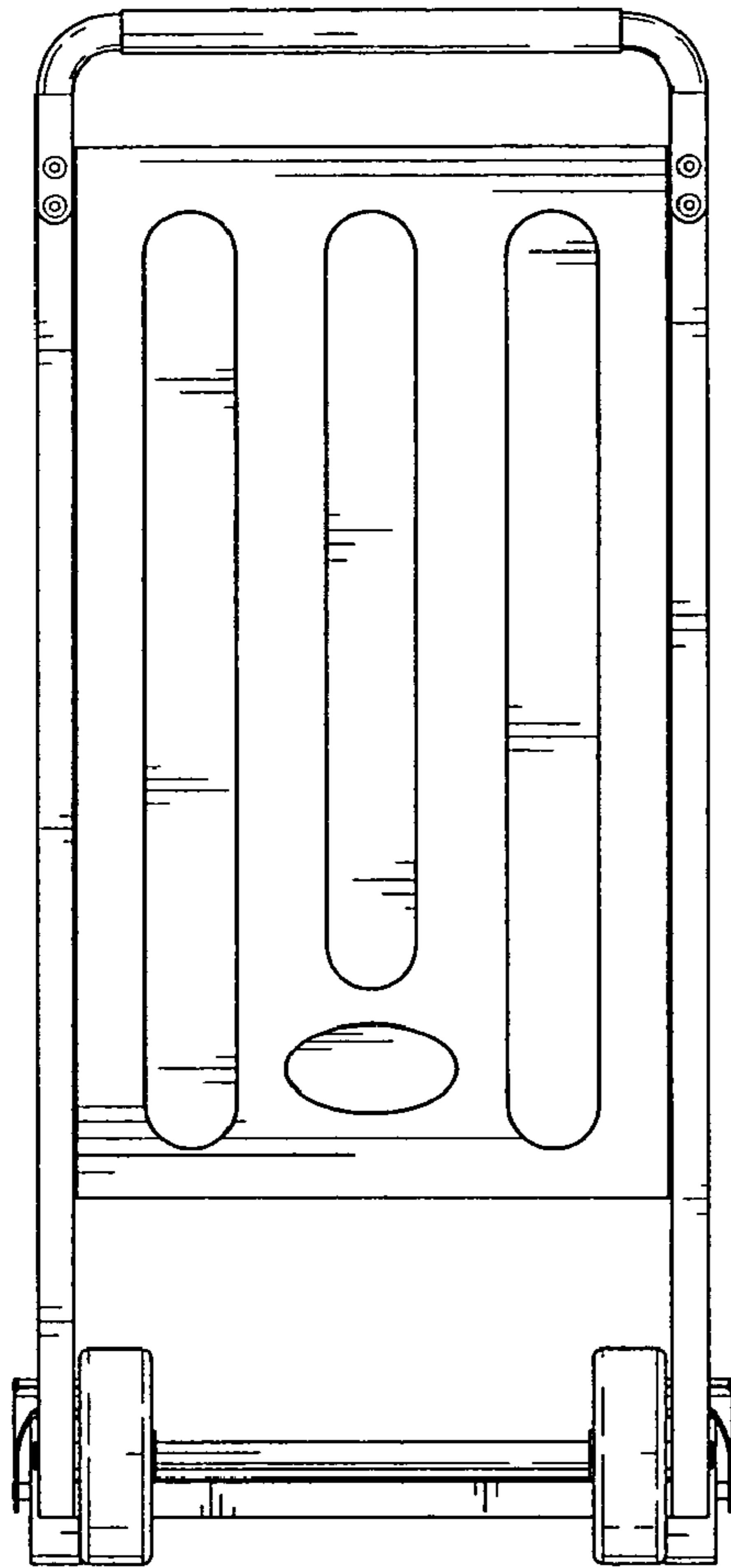


Fig. 5

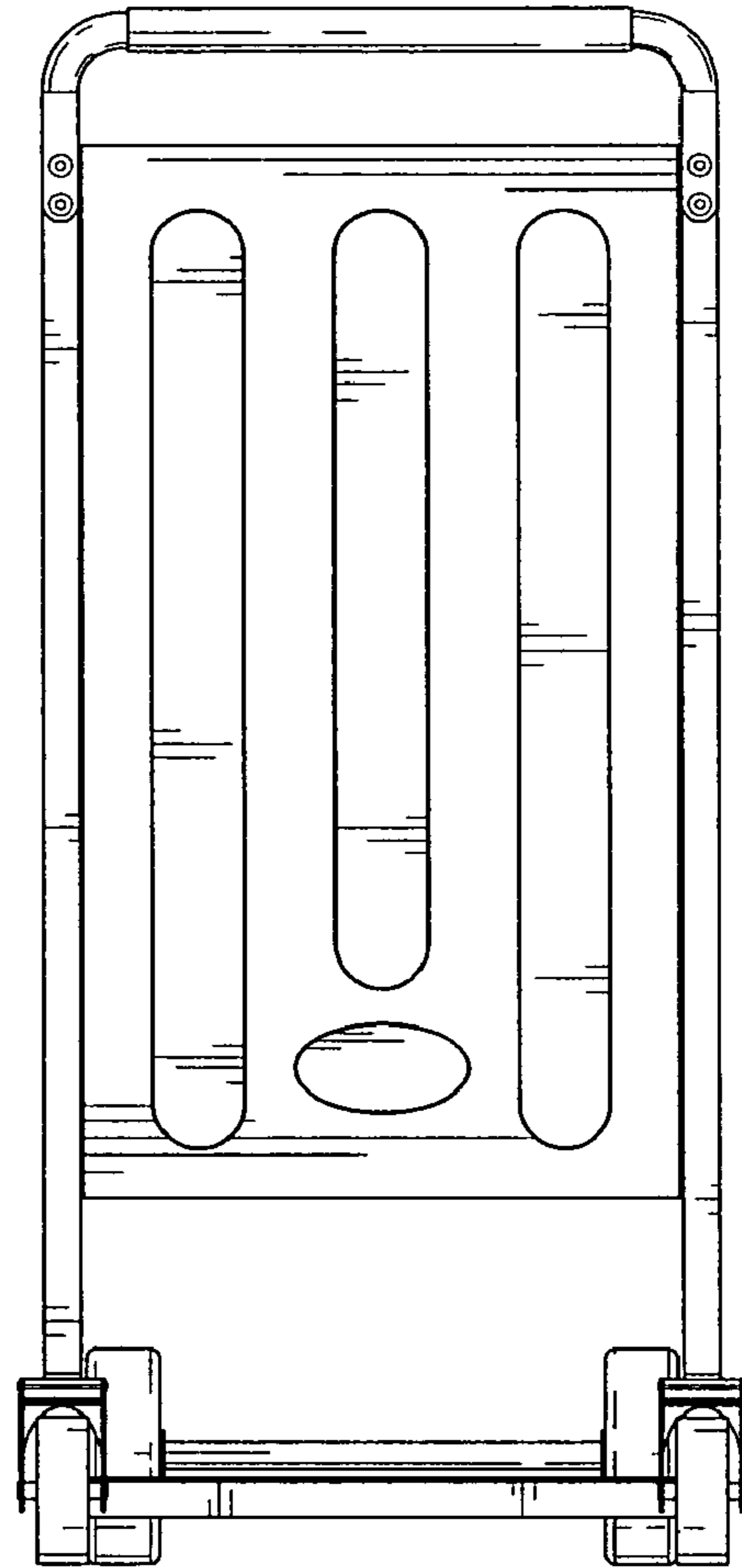


Fig. 6

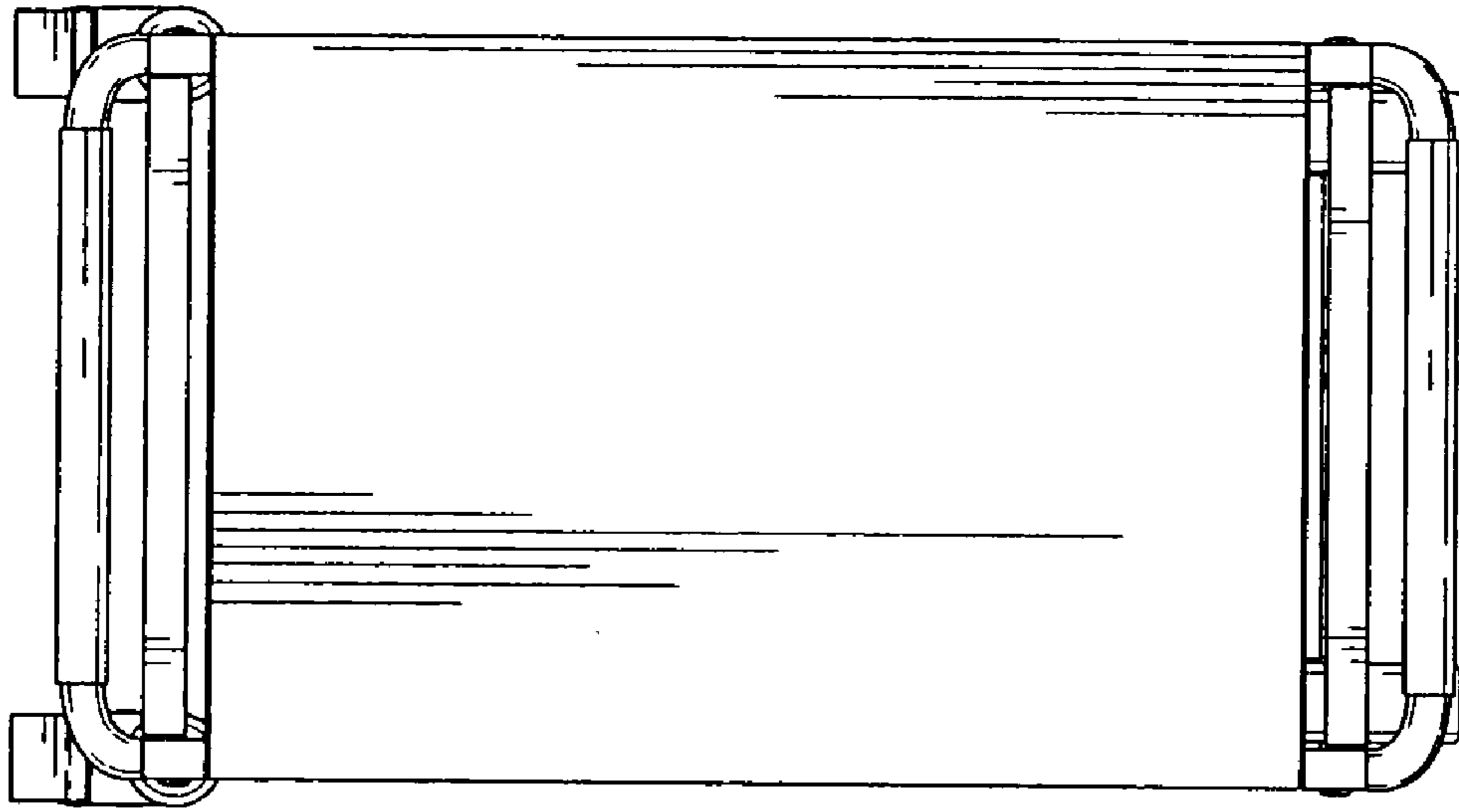


Fig. 7

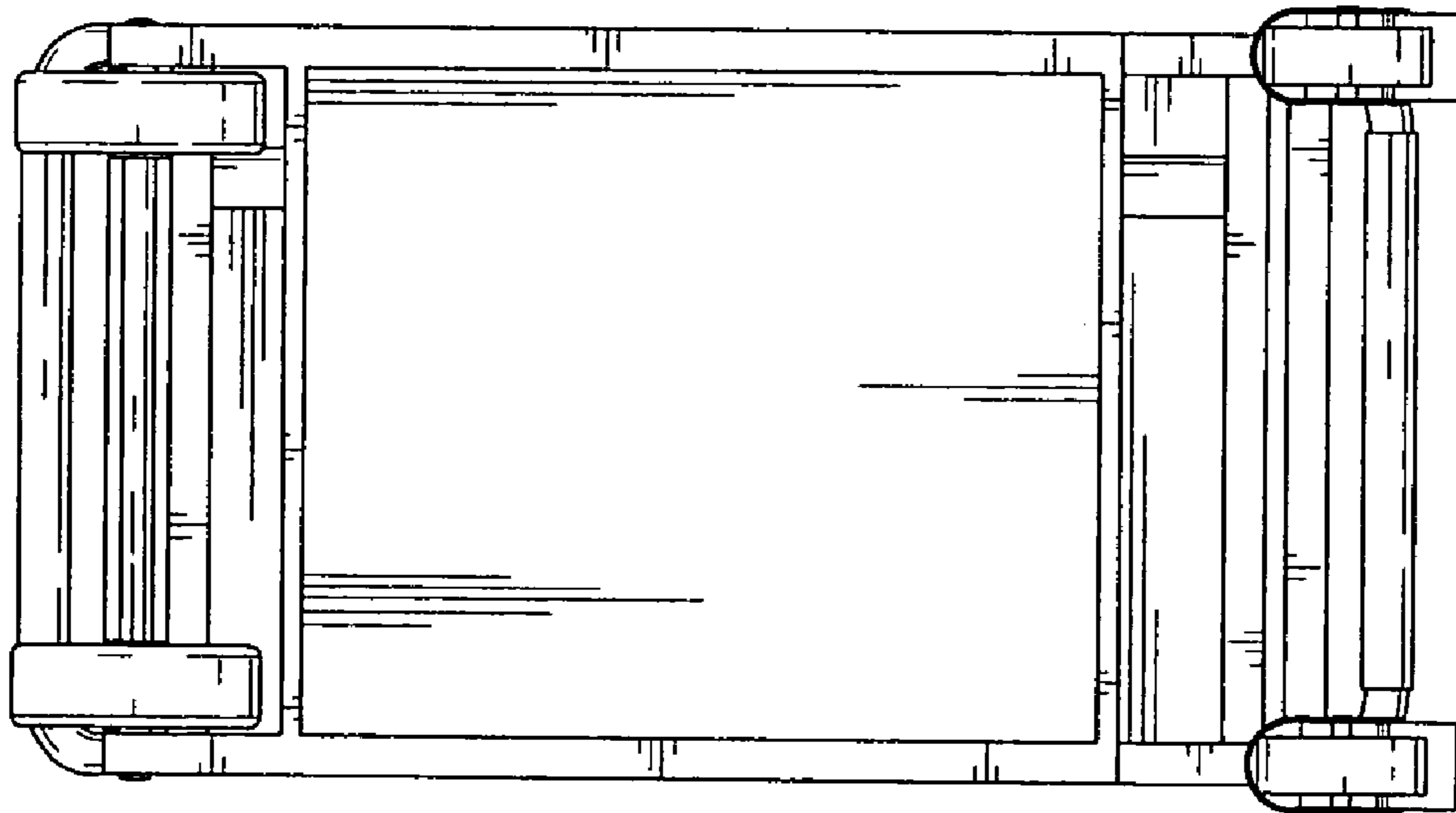


Fig. 8