

US00D546015S

(12) **United States Design Patent**
Bonner

(10) **Patent No.:** **US D546,015 S**

(45) **Date of Patent:** **** Jul. 3, 2007**

(54) **BAG HOLDER**

(76) **Inventor:** **Calvin Leroy Bonner**, 3756 Deer
Creek Ct., Powder Springs, GA (US)
30127

(**) **Term:** **14 Years**

(21) **Appl. No.:** **29/221,362**

(22) **Filed:** **Jun. 7, 2004**

(51) **LOC (8) Cl.** **09-09**

(52) **U.S. Cl.** **D34/5**

(58) **Field of Classification Search** D34/1,
D34/5, 6; 220/908; 248/95, 97, 100, 99, 98;
D6/515

See application file for complete search history.

(56) **References Cited**

U.S. PATENT DOCUMENTS

4,927,104 A * 5/1990 Miller 248/97
4,957,252 A * 9/1990 Watkins 248/97
5,190,253 A * 3/1993 Sable 248/97

D423,841 S * 5/2000 Kerr et al. D6/515
6,460,814 B1 * 10/2002 Bolick 248/95
D484,291 S * 12/2003 Faden D34/5

* cited by examiner

Primary Examiner—Cynthia E. Ramirez
(74) *Attorney, Agent, or Firm*—Myers & Kaplan, LLC;
Greg O’Bradovich, Esq.; Barry E. Kaplan, Esq.

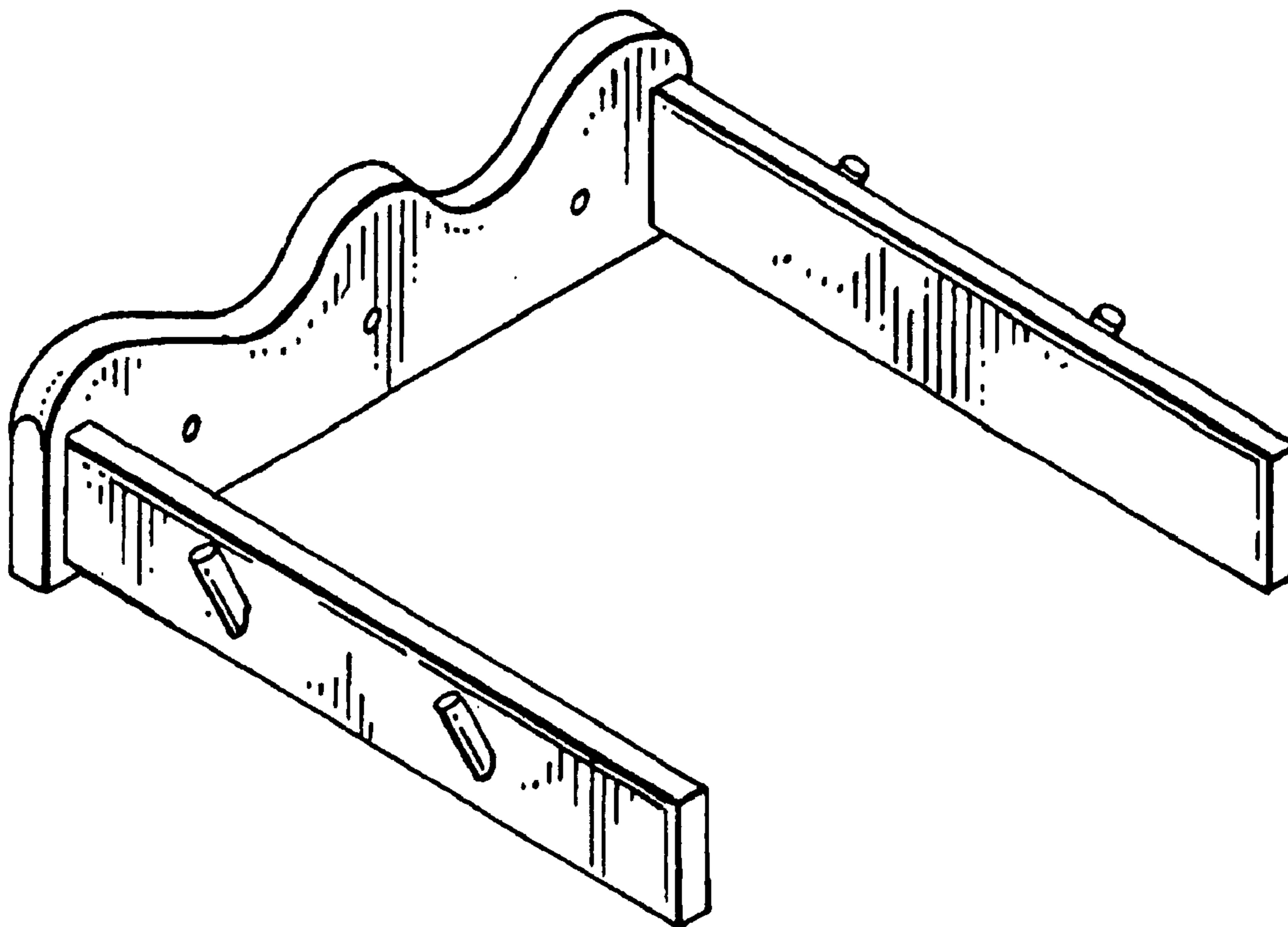
(57) **CLAIM**

The ornamental design for a bag holder, as shown and described.

DESCRIPTION

FIG. 1 is a perspective view of a bag holder showing my new design;
FIG. 2 is a top view thereof;
FIG. 3 is a front view thereof;
FIG. 4 is a side view thereof;
FIG. 5 is a bottom view thereof; and,
FIG. 6 is a rear view thereof.

1 Claim, 2 Drawing Sheets



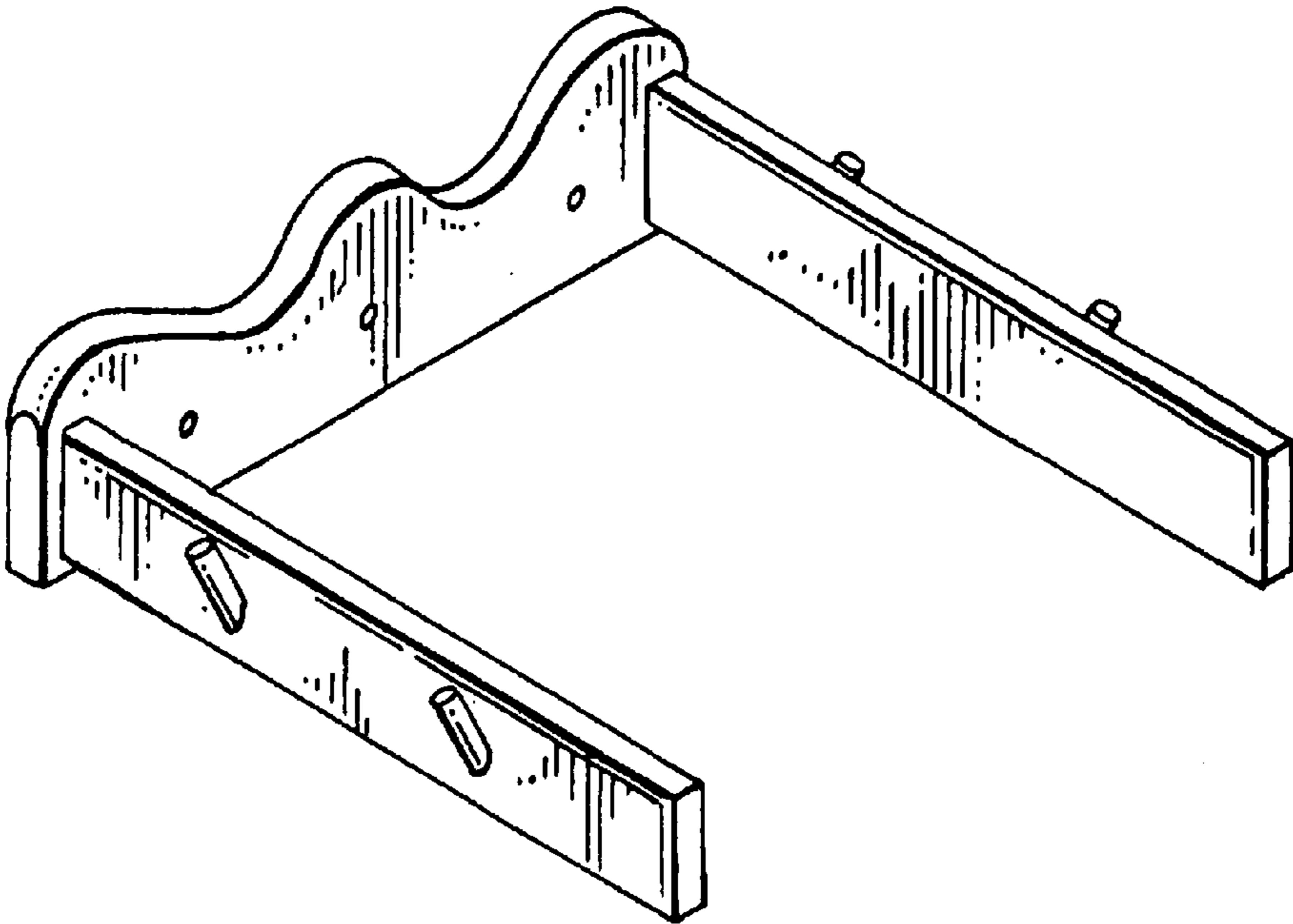


Fig. 1

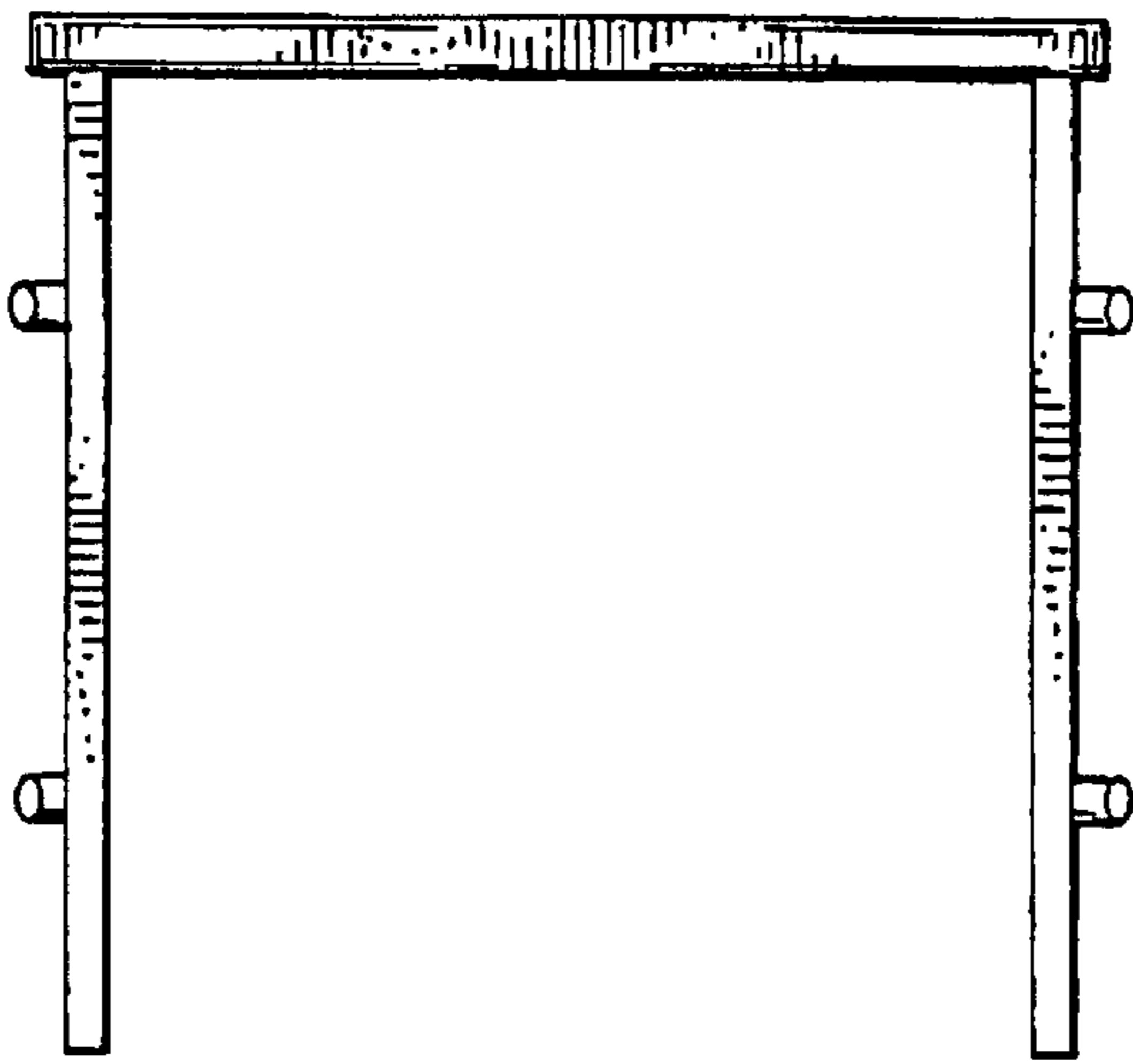


Fig. 1



Fig. 3



Fig. 4

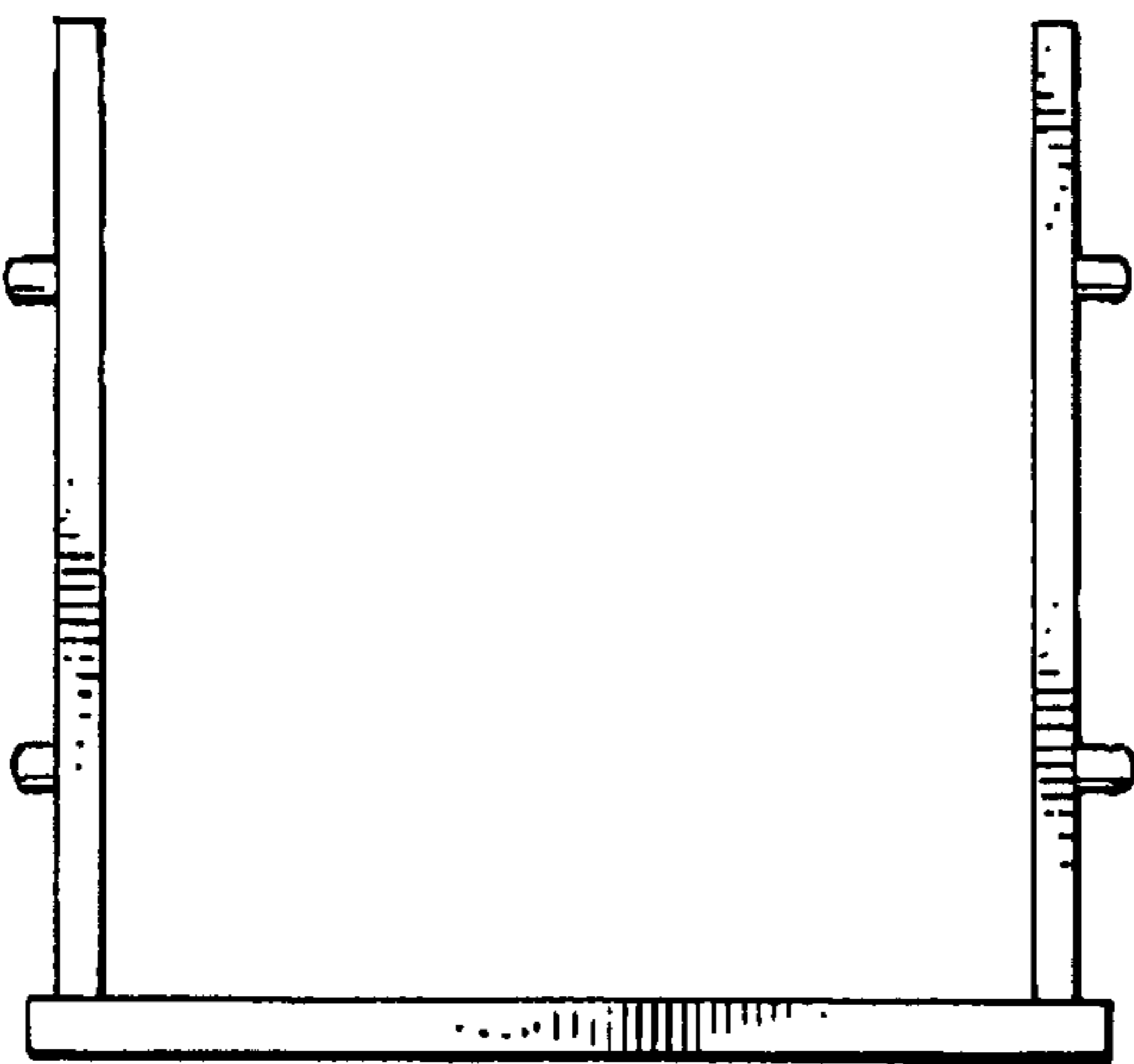


Fig. 5



Fig. 6