

US00D546011S

(12) **United States Design Patent**
Favuzzi

(10) **Patent No.:** **US D546,011 S**

(45) **Date of Patent:** **** Jul. 3, 2007**

(54) **SCUFF REMOVER ON A SHOE**

D461,030 S 7/2002 Cruell
6,430,771 B2 8/2002 Ahern
6,446,300 B1 * 9/2002 Sleezer 15/227

(76) Inventor: **Dennis Favuzzi**, 820 Garden St.,
Apartment One, Hoboken, NJ (US)
07030

* cited by examiner

(**) Term: **14 Years**

Primary Examiner—Pamela J. Burgess
(74) *Attorney, Agent, or Firm*—Lawrence J. Gibney, Jr.

(21) Appl. No.: **29/243,451**

(57) **CLAIM**

(22) Filed: **Nov. 23, 2005**

The ornamental design for scuff remover on a shoe, as shown and described.

(51) **LOC (8) Cl.** **04-01**

(52) **U.S. Cl.** **D32/40**

(58) **Field of Classification Search** D32/40,
D32/46-47; 36/87; 15/227-228, 257.01,
15/290.1, 1, 104.94

See application file for complete search history.

DESCRIPTION

FIG. 1 is a left side elevational view of a scuff remover on a shoe showing my new design;

FIG. 2 is a right side elevational view thereof, the broken lines shown are for illustrative purposes only and form no part of the claimed design;

FIG. 3 is a front elevational view thereof;

FIG. 4 is a rear elevational view thereof;

FIG. 5 is a top plan view thereof;

FIG. 6 is a bottom plan view thereof; and,

FIG. 7 is a top isometric view thereof.

(56) **References Cited**

U.S. PATENT DOCUMENTS

| | | | |
|---------------|---------|----------------|--------|
| 3,699,672 A | 10/1972 | Sims | |
| 5,173,985 A | 12/1992 | Palmer | |
| 5,613,897 A | 3/1997 | Thompson | |
| D405,572 S * | 2/1999 | Bouchez | D32/45 |
| 5,996,163 A * | 12/1999 | Galizia | 15/160 |
| D418,945 S * | 1/2000 | Chen | D28/63 |
| 6,122,793 A * | 9/2000 | Pao | 15/227 |
| 6,145,156 A | 11/2000 | Pullara et al. | |

1 Claim, 4 Drawing Sheets

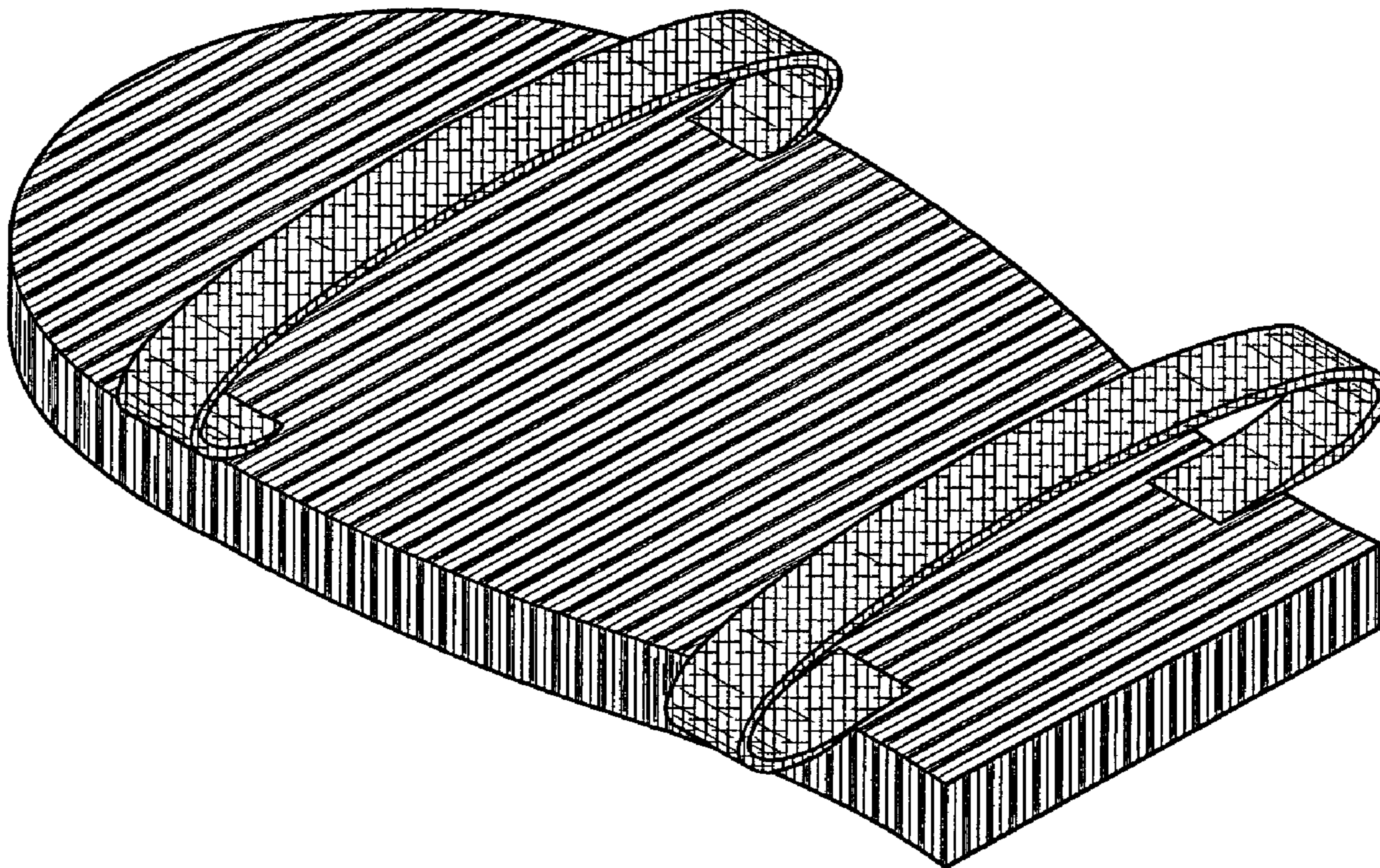




FIG. 1

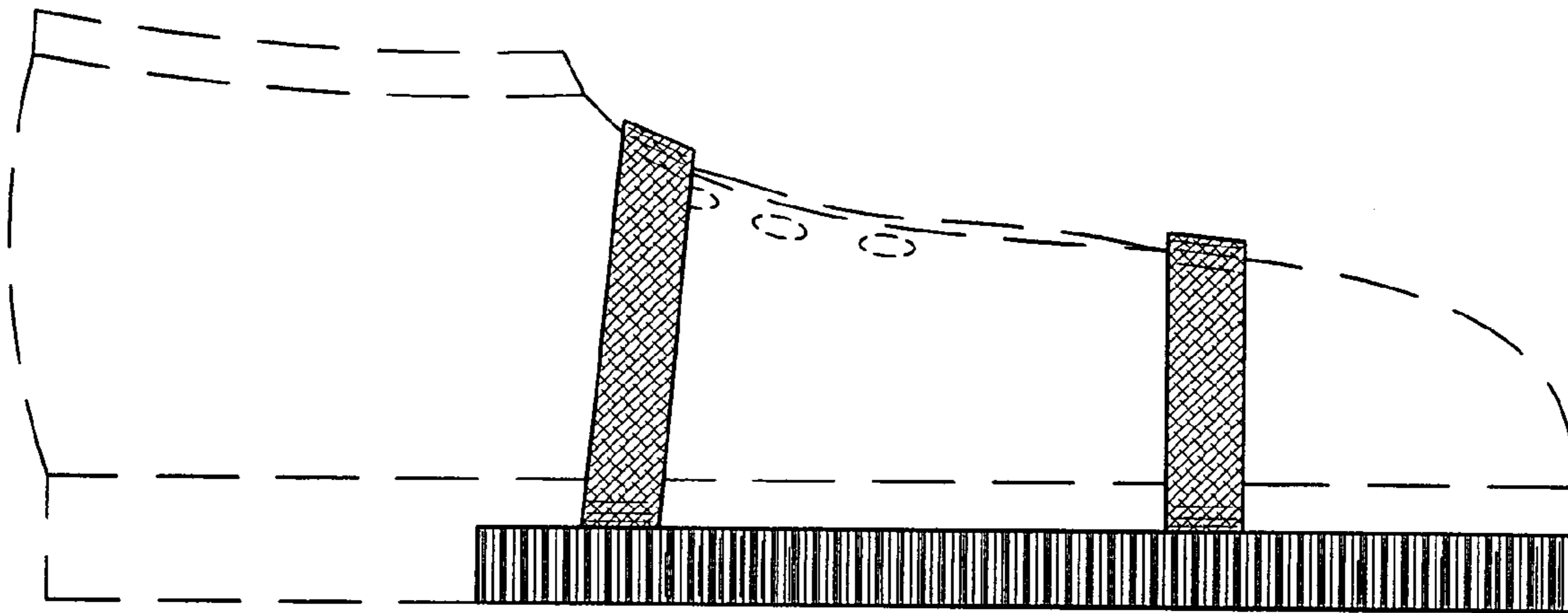


FIG. 2

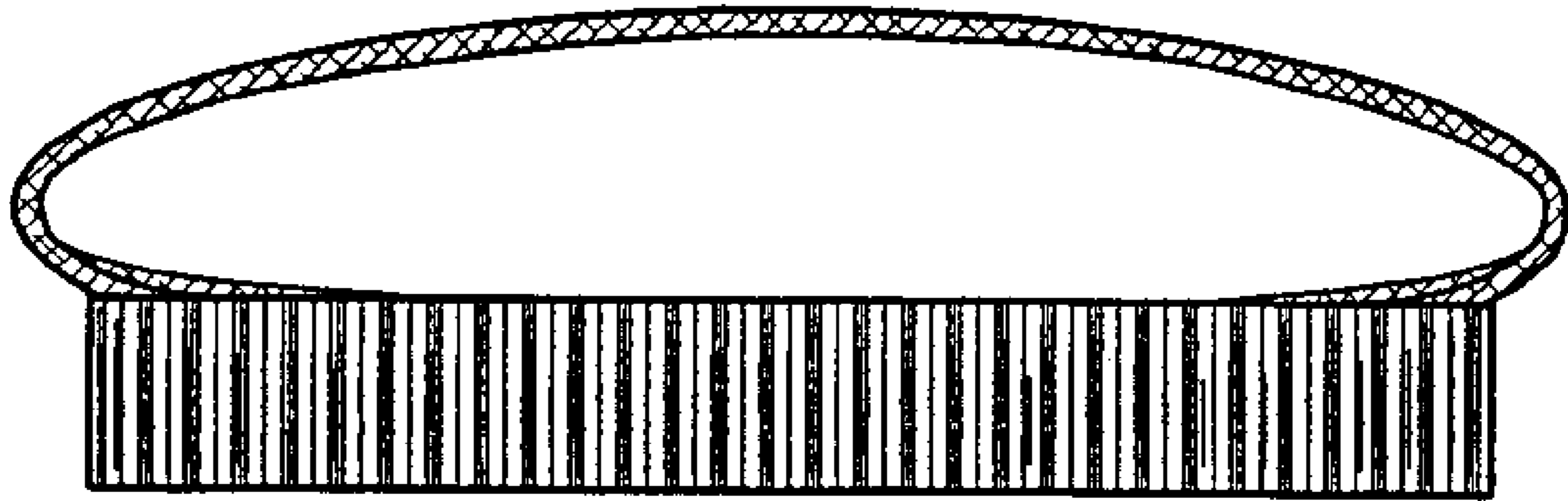


FIG. 3

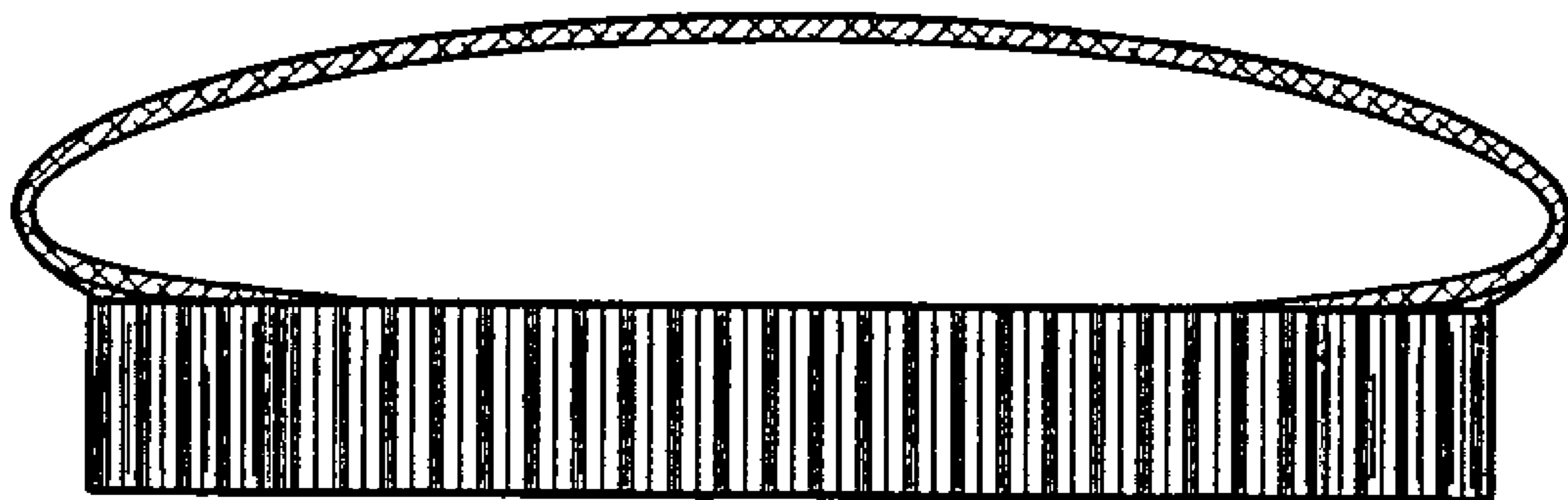


FIG. 4

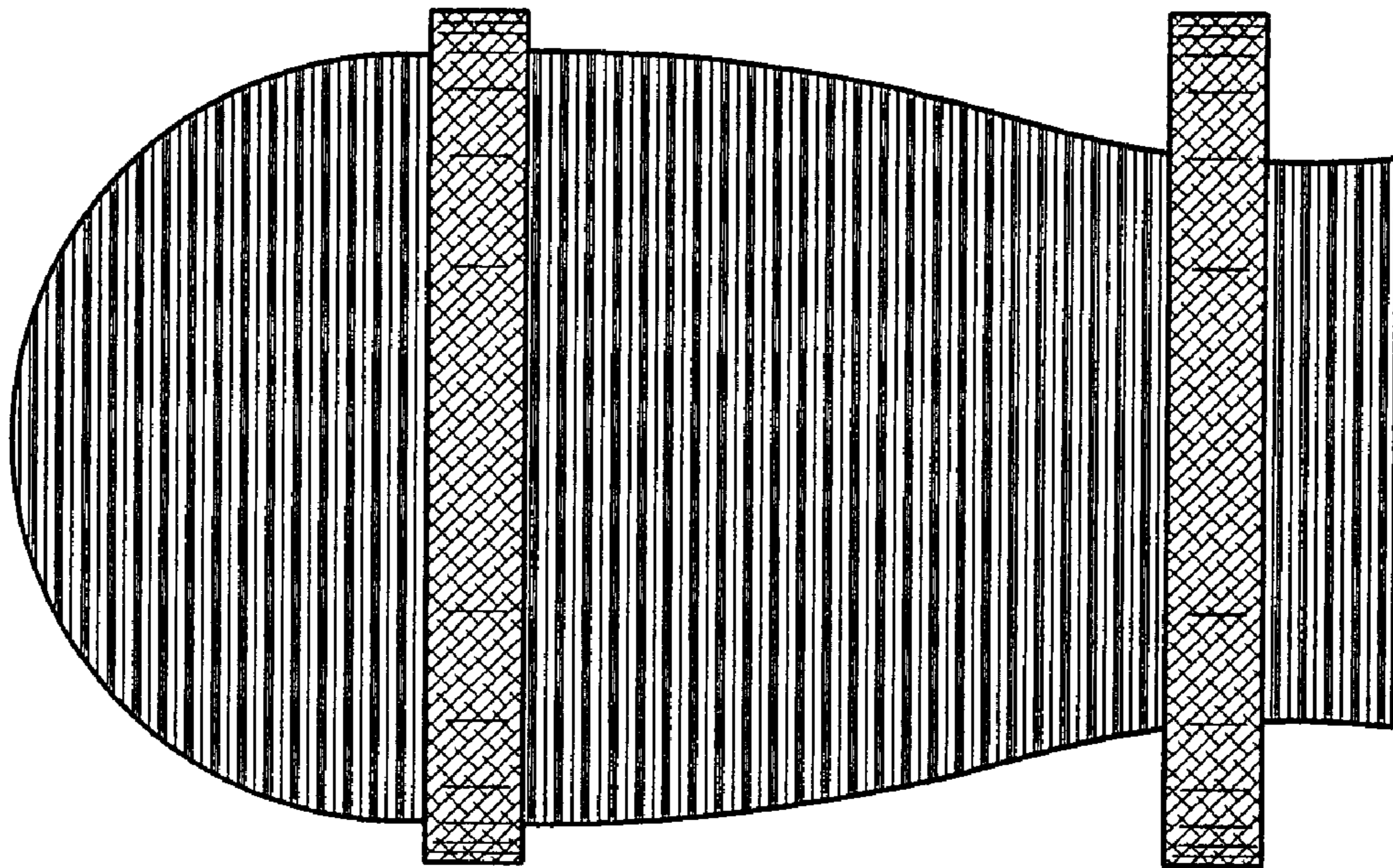


FIG. 5

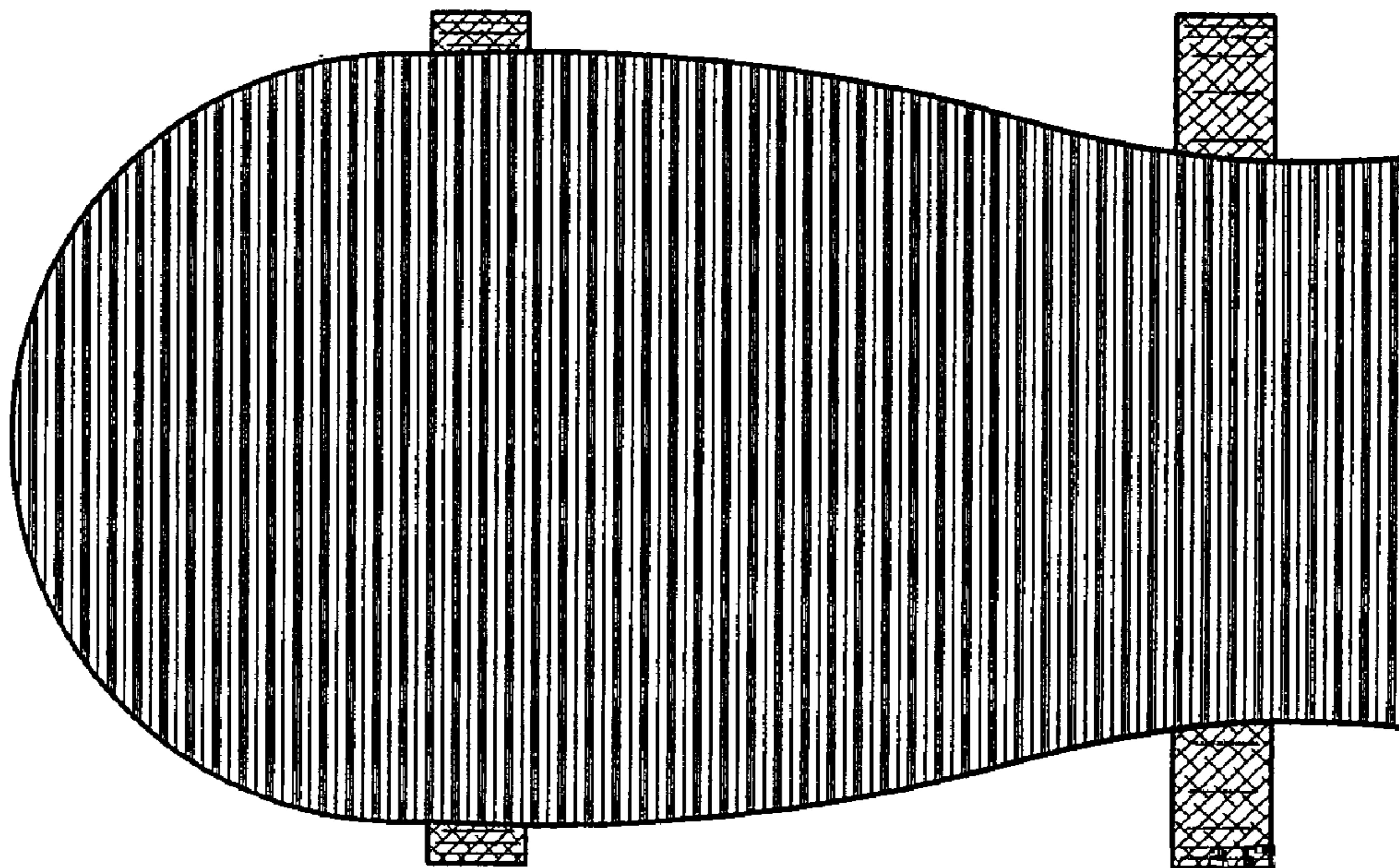


FIG. 6

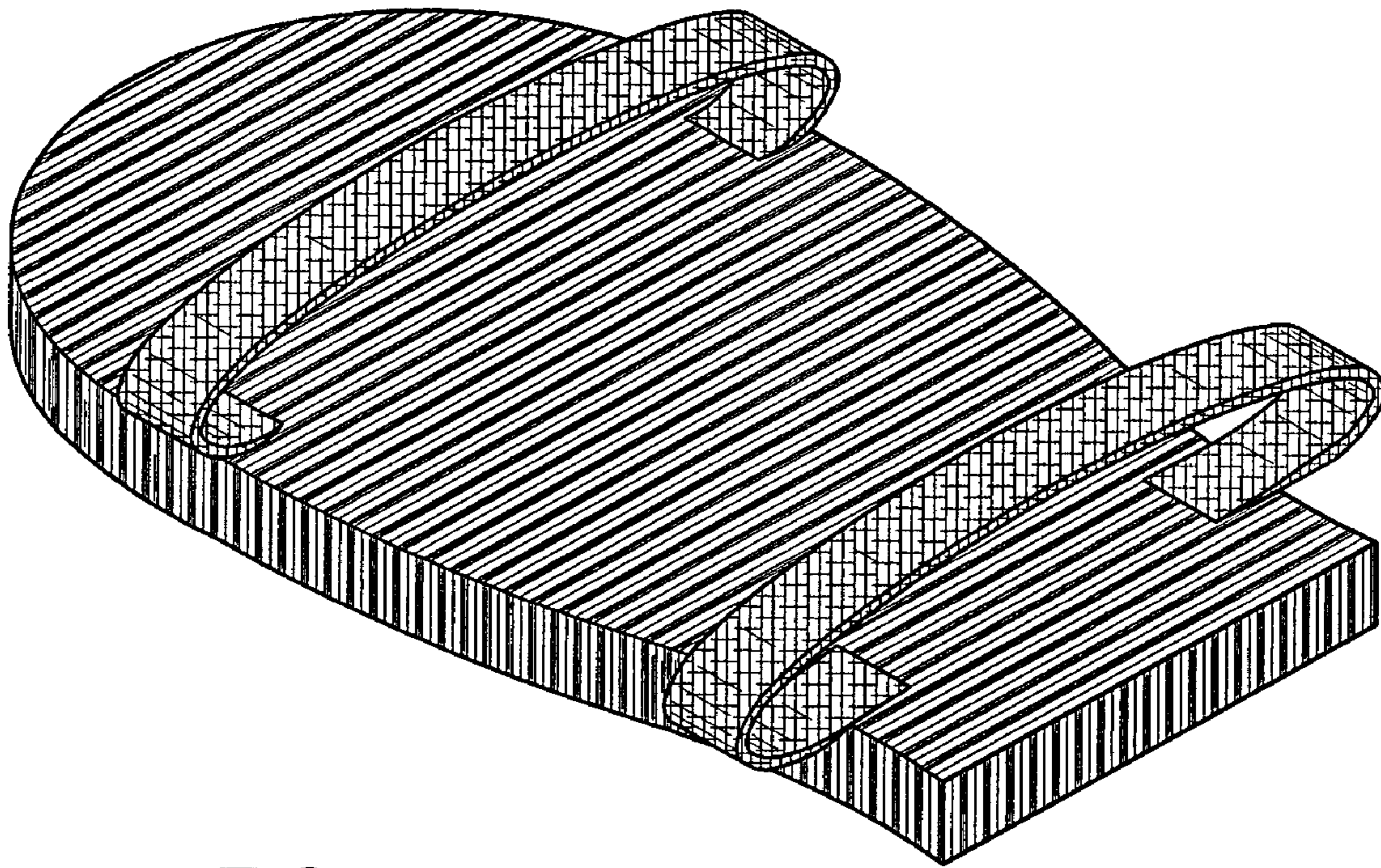


FIG. 7