



US00D546007S

(12) **United States Design Patent**
Hinder et al.

(10) **Patent No.:** **US D546,007 S**

(45) **Date of Patent:** **** Jul. 3, 2007**

(54) **FLOOR SCRUBBING PAD ADAPTED FOR USE ON A FLOOR SCRUBBING MACHINE**

(75) Inventors: **Walter Hinder**, Bronschhofen (CH);
Heinrich-Tito Mayer, Jonschwil (CH);
Daniel Meier, Wängi (CH)

(73) Assignee: **JohnsonDiversey, Inc.**, Sturtevant, WI (US)

(**) Term: **14 Years**

(21) Appl. No.: **29/261,167**

(22) Filed: **Jun. 8, 2006**

Related U.S. Application Data

(63) Continuation-in-part of application No. 29/245,219, filed on Dec. 20, 2005, and a continuation-in-part of application No. 29/244,705, filed on Dec. 13, 2005.

(51) **LOC (8) Cl.** **15-05**

(52) **U.S. Cl.** **D32/25**

(58) **Field of Classification Search** D32/1,
D32/15, 16, 19, 20, 25, 21, 22, 40, 35, 50-52;
15/208, 228, 231, 229.2-229.4, 320-323,
15/353

See application file for complete search history.

(56) **References Cited**

U.S. PATENT DOCUMENTS

168,063	A *	9/1875	Taylor	220/62
D250,245	S *	11/1978	Bebb	D32/50
4,823,427	A *	4/1989	Gibbs et al.	15/247
5,292,582	A *	3/1994	Gibbs et al.	442/329
D445,227	S *	7/2001	Tintelnot	D32/40
D461,028	S *	7/2002	Ng	D32/40
D461,029	S *	7/2002	Ng	D32/40
D464,181	S *	10/2002	Ng	D32/40

* cited by examiner

Primary Examiner—Louis S. Zarfes

Assistant Examiner—Kathleen Sims

(74) *Attorney, Agent, or Firm*—Gregory S. Bollis; Neil E. Hamilton; James J. Sales

(57) **CLAIM**

We claim the ornamental design for a floor scrubbing pad adapted for use on a floor scrubbing machine, as shown and described.

DESCRIPTION

FIG. 1 is a bottom perspective view of a floor scrubbing pad adapted for use on a floor scrubbing machine.

FIG. 2 is a bottom view of the floor scrubbing pad shown in FIG. 1.

FIG. 3 is a top view of the floor scrubbing pad shown in FIG. 1.

FIG. 4 is an end view of the floor scrubbing pad shown in FIG. 1.

FIG. 5 is an opposite end view of the floor scrubbing pad shown in FIG. 1.

FIG. 6 is a side view of the floor scrubbing pad shown in FIG. 1.

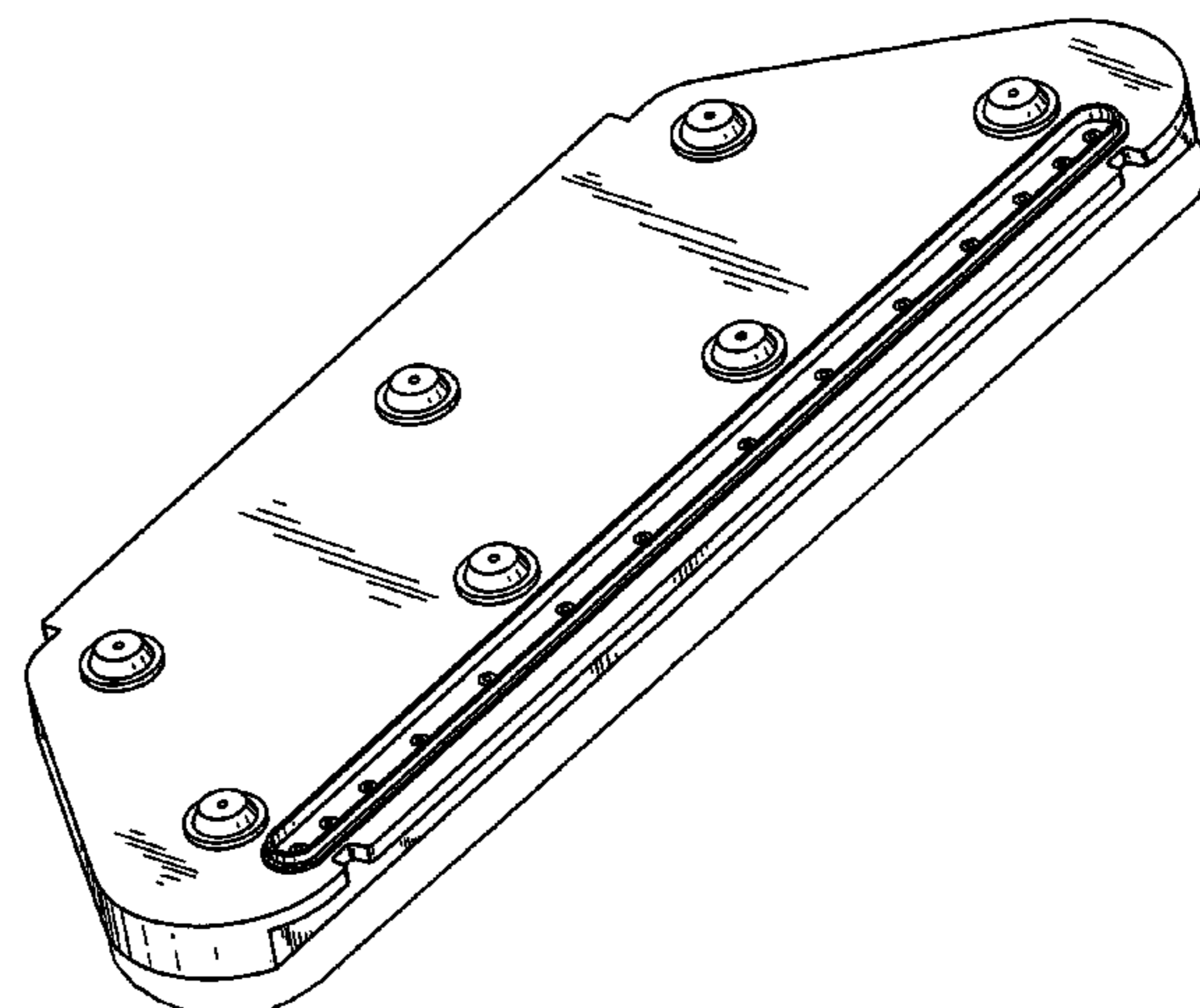
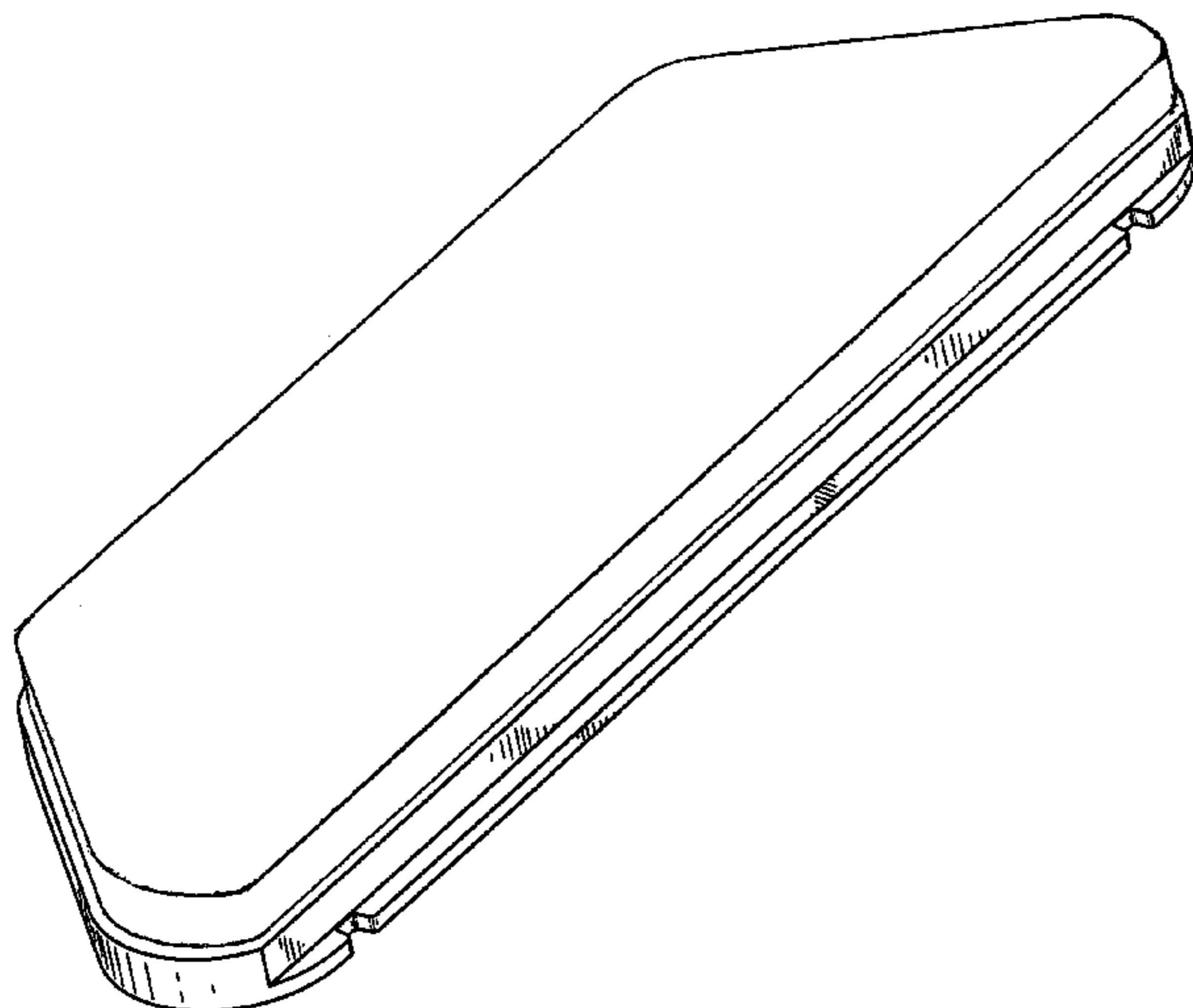
FIG. 7 is an opposite side view of the floor scrubbing pad shown in FIG. 1.

FIG. 8 is a top perspective view of the floor scrubbing pad shown in FIG. 1; and,

FIG. 9 is a side view of the floor scrubbing pad shown in FIG. 1.

The broken line showing of a person on a floor scrubbing machine is included for the purpose of illustrating environmental structure and forms no part of the claimed design.

1 Claim, 7 Drawing Sheets



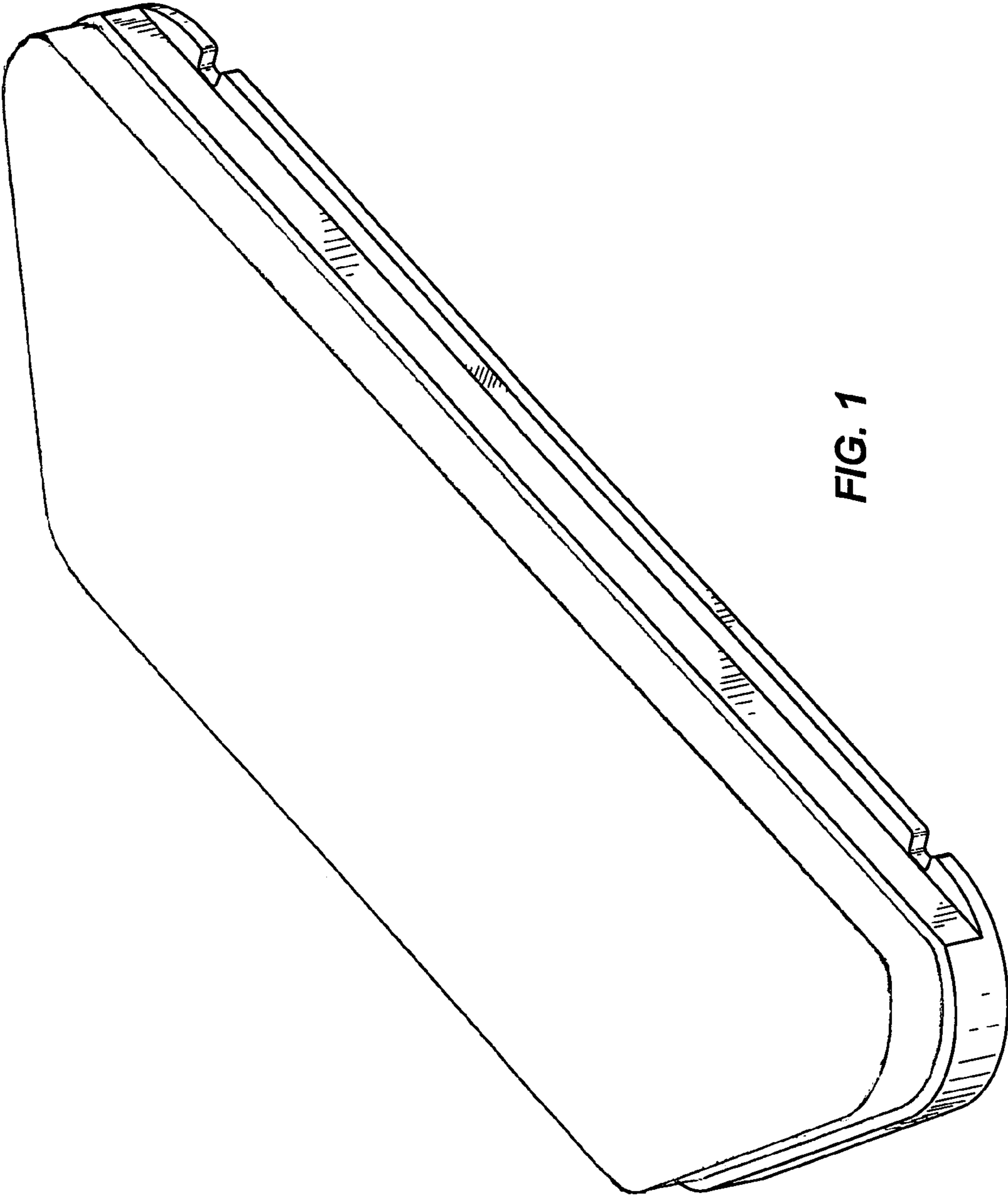


FIG. 1

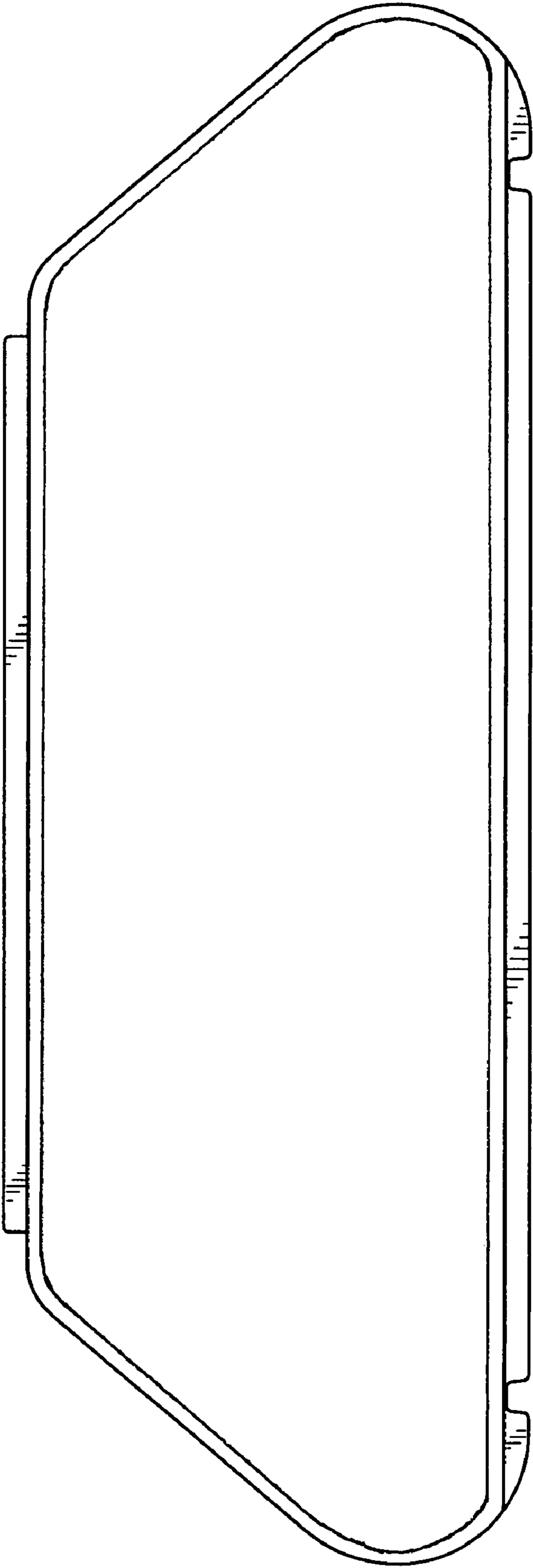


FIG. 2

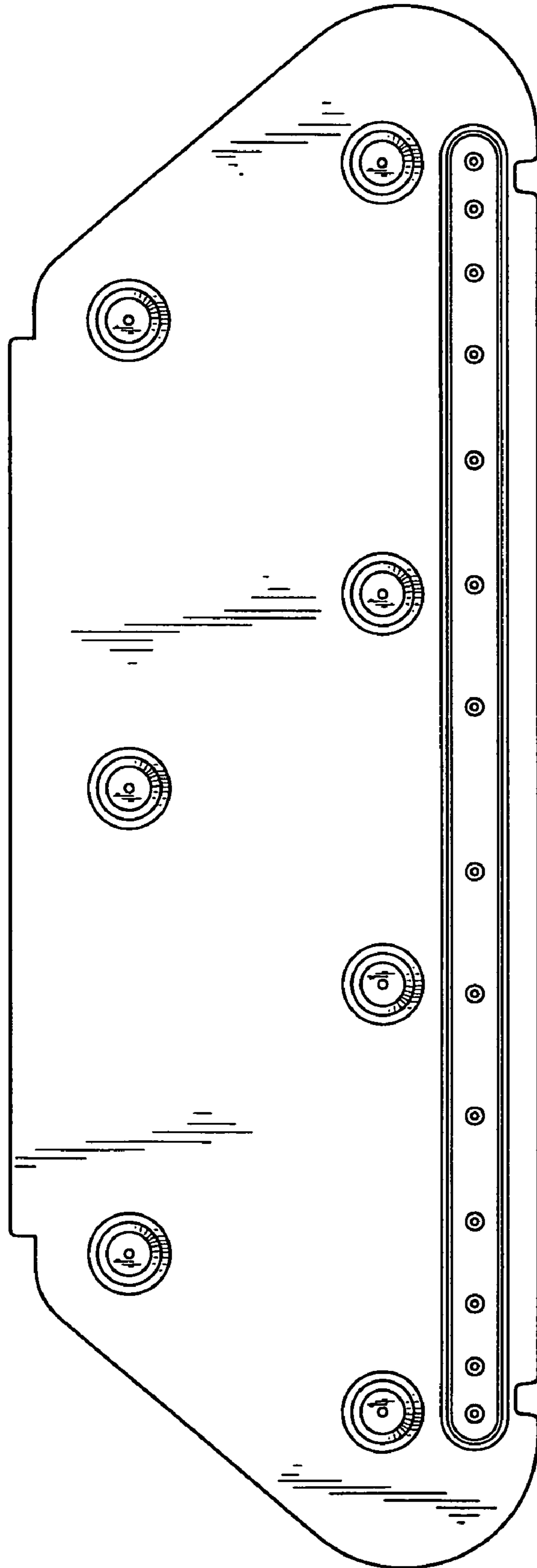


FIG. 3

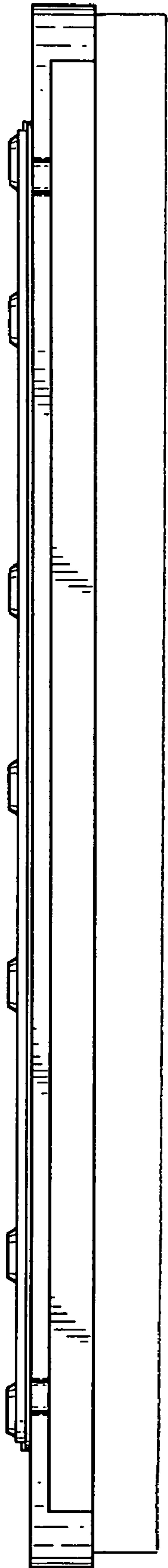


FIG. 4

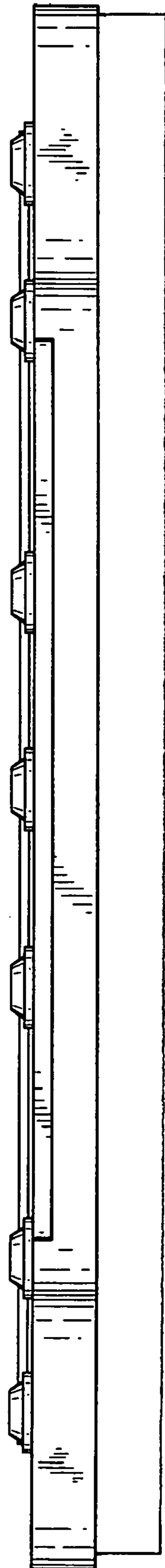


FIG. 5

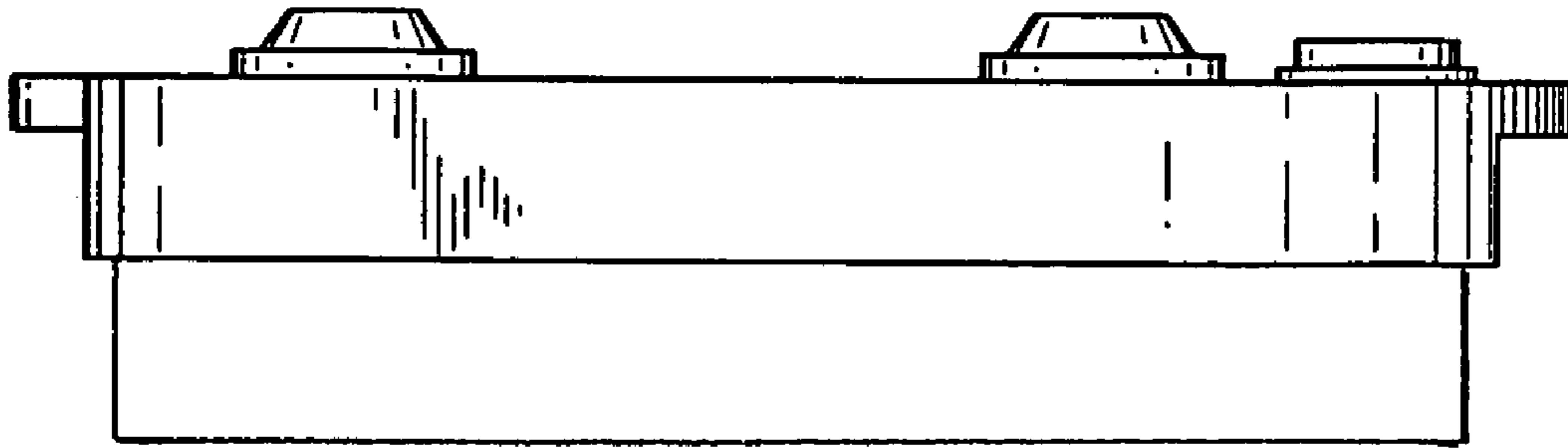


FIG. 6

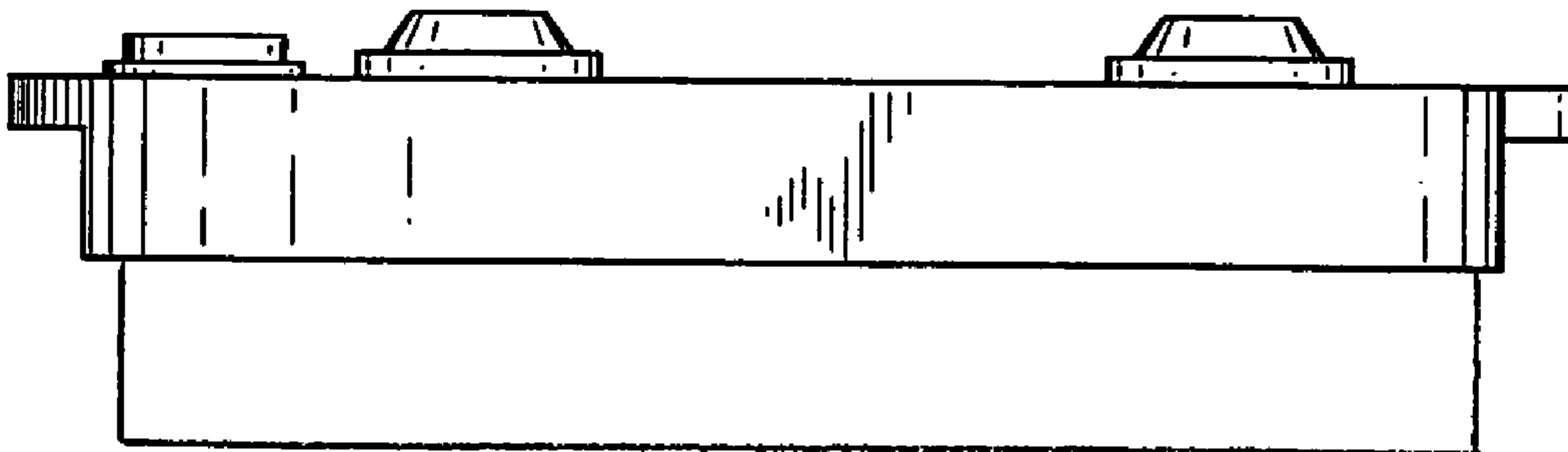


FIG. 7

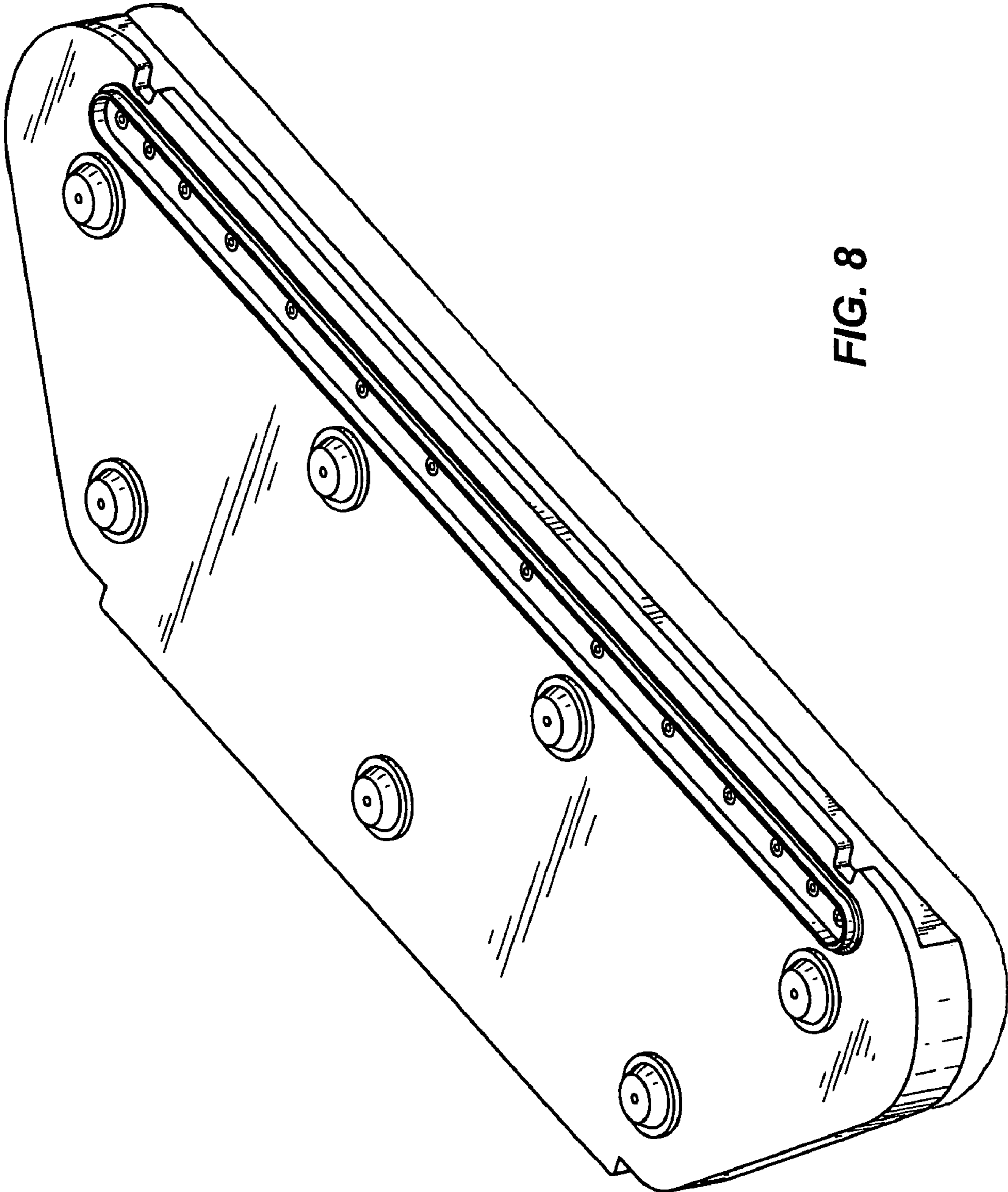


FIG. 8

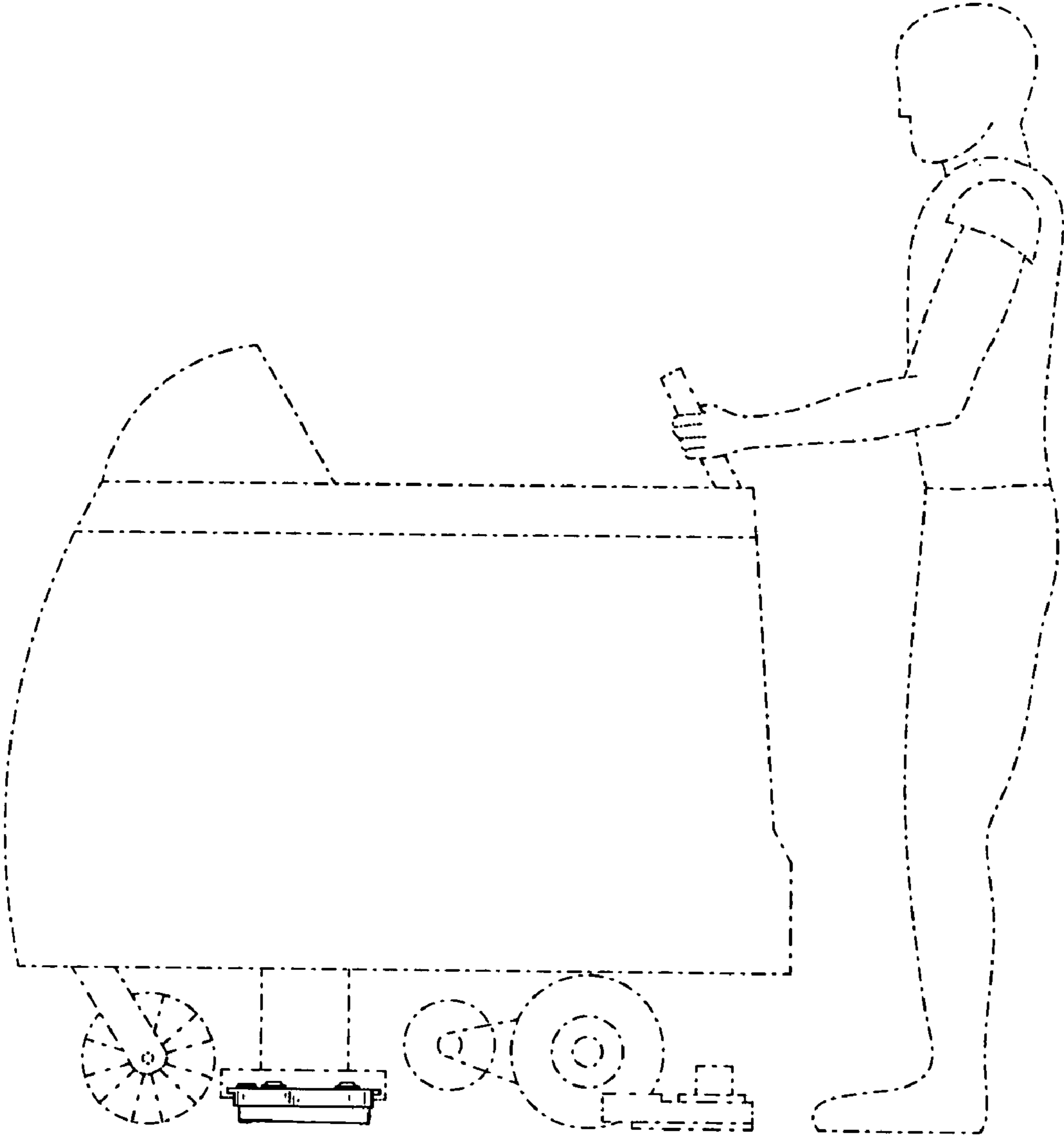


FIG. 9