

US00D545997S

(12) **United States Design Patent**
Layne

(10) **Patent No.:** **US D545,997 S**

(45) **Date of Patent:** **** Jul. 3, 2007**

(54) **PENDANT LIGHT**

(75) Inventor: **Bruce N. Layne**, Wheaton, IL (US)

(73) Assignee: **Juno Manufacturing, Inc.**, Des
Plaines, IL (US)

(**) Term: **14 Years**

(21) Appl. No.: **29/236,294**

(22) Filed: **Aug. 15, 2005**

(51) **LOC (8) Cl.** **26-99**

(52) **U.S. Cl.** **D26/129**

(58) **Field of Classification Search** D26/131,
D26/135, 86, 90, 85, 84, 81, 128, 88, 142,
D26/132, 134, 92, 72, 23, 24, 68, 79, 83,
D26/113, 118, 119, 137; 362/257, 266, 317,
362/350, 340, 351, 355, 356, 362, 363

See application file for complete search history.

(56) **References Cited**

U.S. PATENT DOCUMENTS

1,142,597	A	*	6/1915	Manwaring	362/408
D361,151	S	*	8/1995	Corbett	D26/90
D403,460	S	*	12/1998	Littman et al.	D26/90
D403,799	S	*	1/1999	Dolan	D26/90
D421,507	S	*	3/2000	Borders et al.	D26/118
D421,662	S	*	3/2000	Littman et al.	D26/90
D430,947	S	*	9/2000	Dolan	D26/86
D439,365	S	*	3/2001	Hoffbauer	D26/135
D440,684	S	*	4/2001	Dolan	D26/85
D440,686	S	*	4/2001	Dolan	D26/86
D441,119	S	*	4/2001	Crosby	D26/85
D441,121	S	*	4/2001	Dolan	D26/86
D459,520	S	*	6/2002	Dolan	D26/85

D465,870	S	*	11/2002	Dolan	D26/84
D466,245	S	*	11/2002	Hsu	D26/127
D466,640	S	*	12/2002	Hsu	D26/131
D494,705	S	*	8/2004	Tai	D26/128
D499,201	S	*	11/2004	Parres	D26/90
D501,689	S	*	2/2005	Pickett	D26/128

* cited by examiner

Primary Examiner—Freda S. Nunn

Assistant Examiner—Kevin K. Rudzinski

(74) *Attorney, Agent, or Firm*—Sonnenschein Nath &
Rosenthal LLP

(57) **CLAIM**

The ornamental design for a pendant light, as shown and described.

DESCRIPTION

FIG. 1 is a perspective view of a pendant light showing the new design;

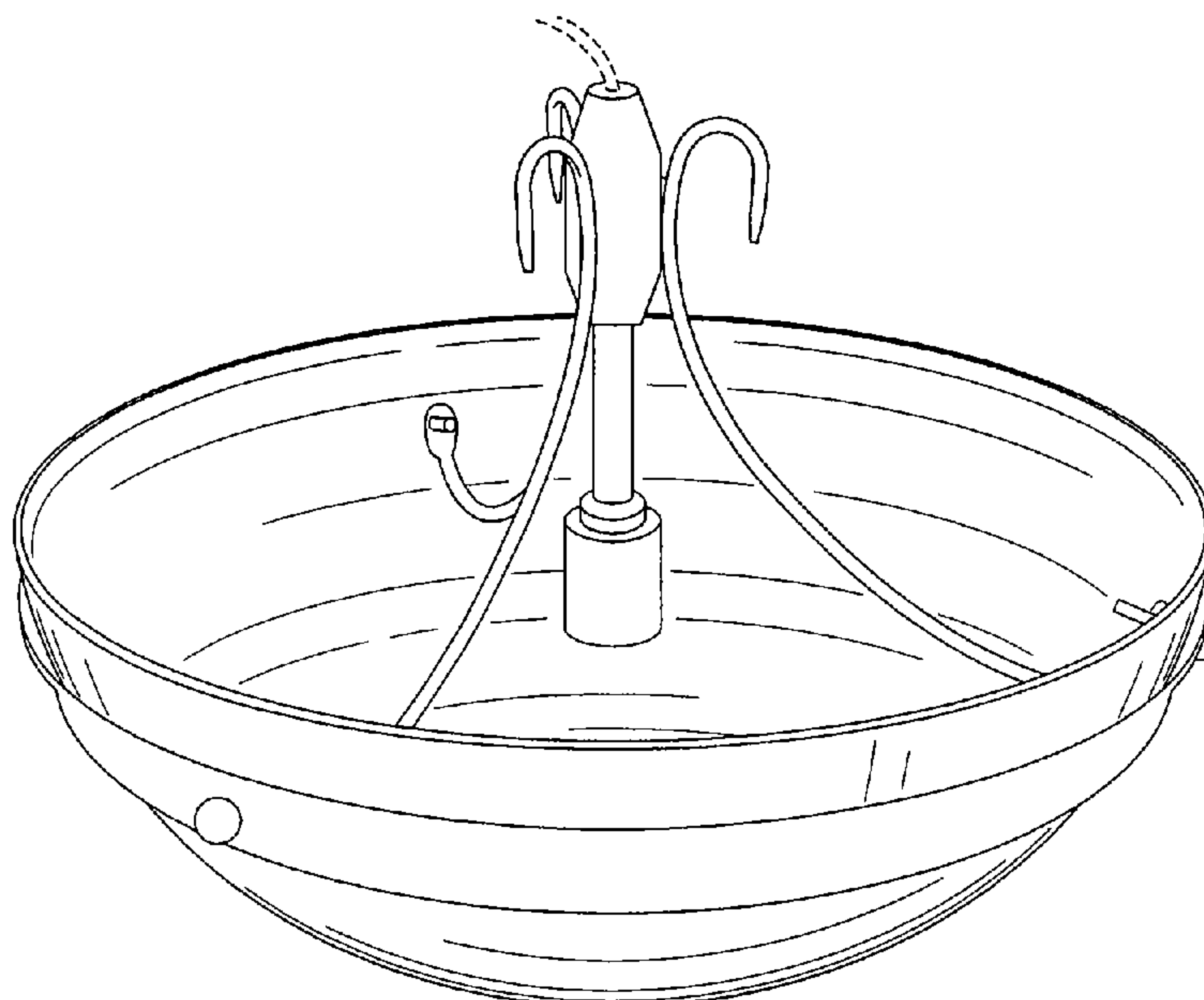
FIG. 2 is a side elevational view of the pendant light as shown in FIG. 1;

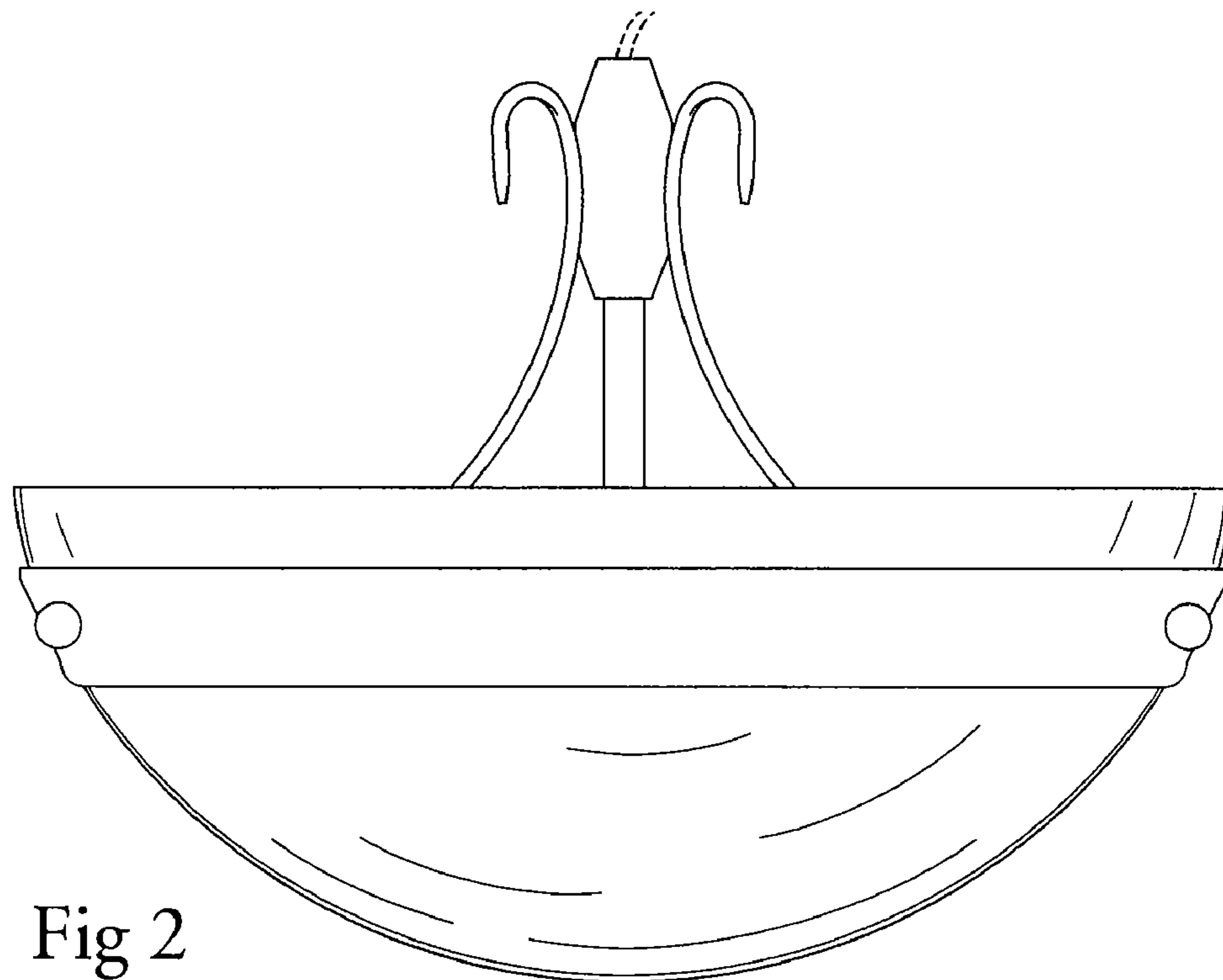
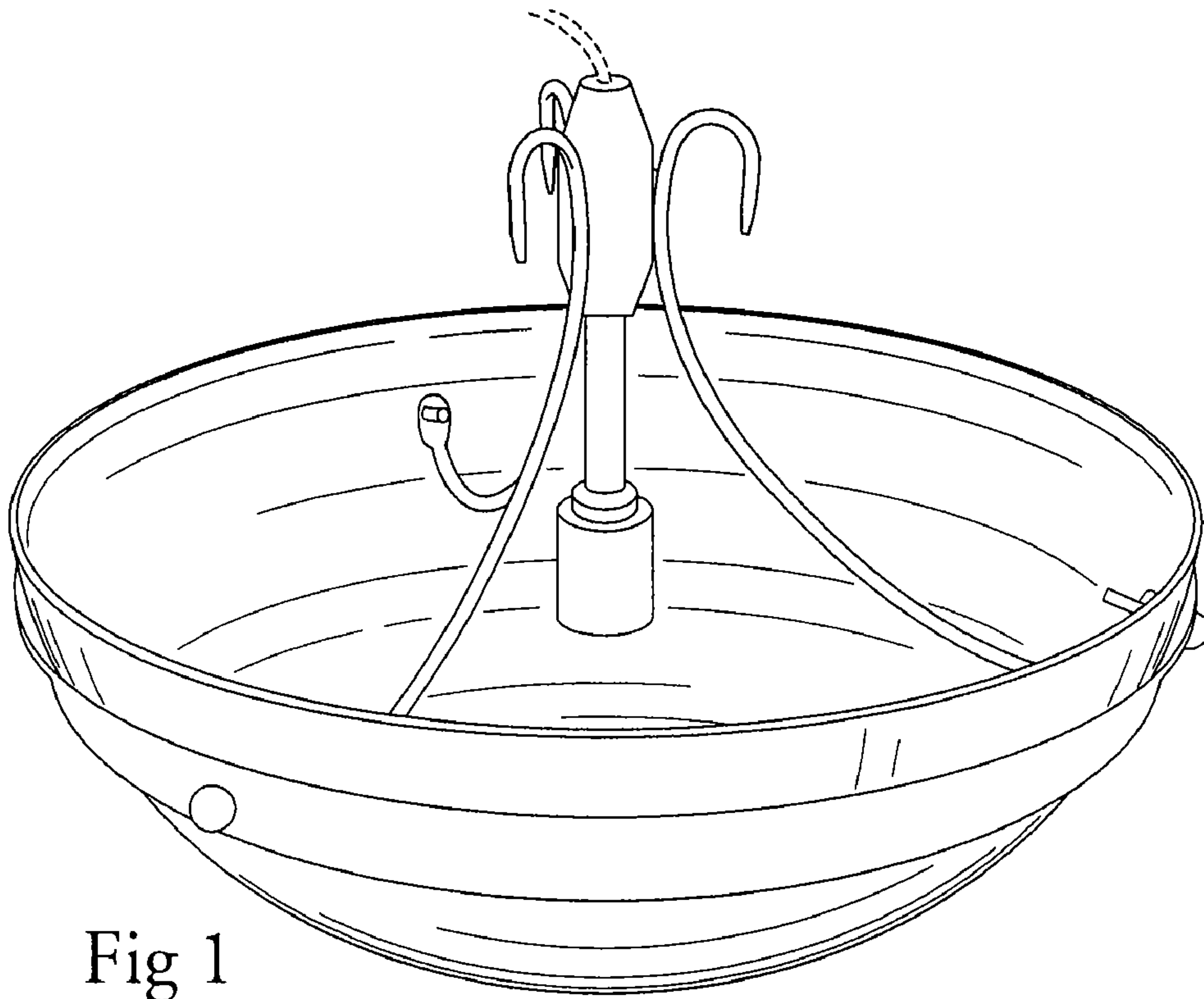
FIG. 3 is an opposite side elevational view of the pendant light as shown in FIG. 1; and,

FIG. 4 is a bottom view of the pendant light as shown in FIG. 1.

Features shown in dashed lines immediately adjacent the shaded areas or adjacent the solid lines represent the bounds of the claim and all other dashed lines are for illustrative purposes only. None of the dashed lines form a part of the claimed design.

1 Claim, 2 Drawing Sheets





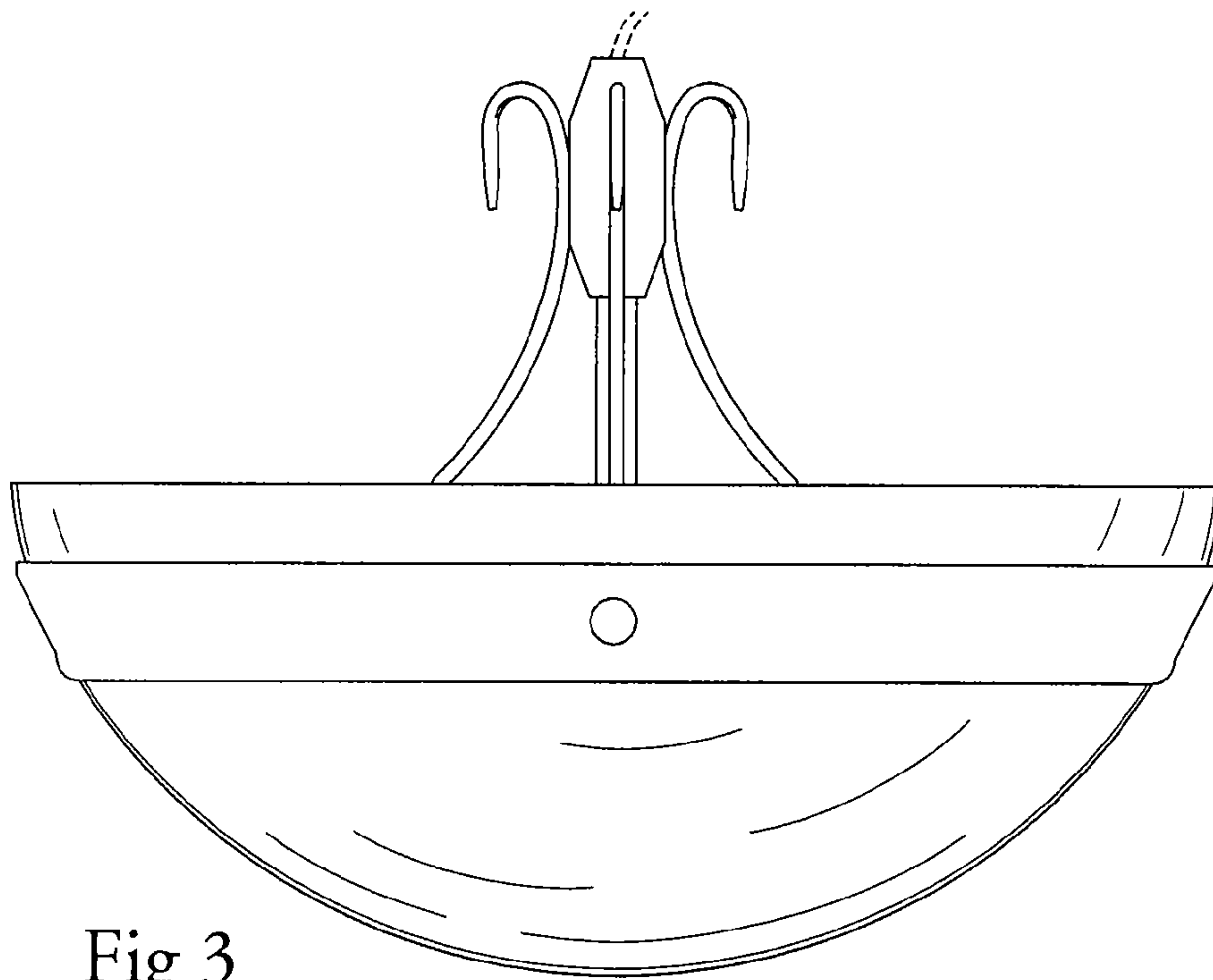


Fig 3

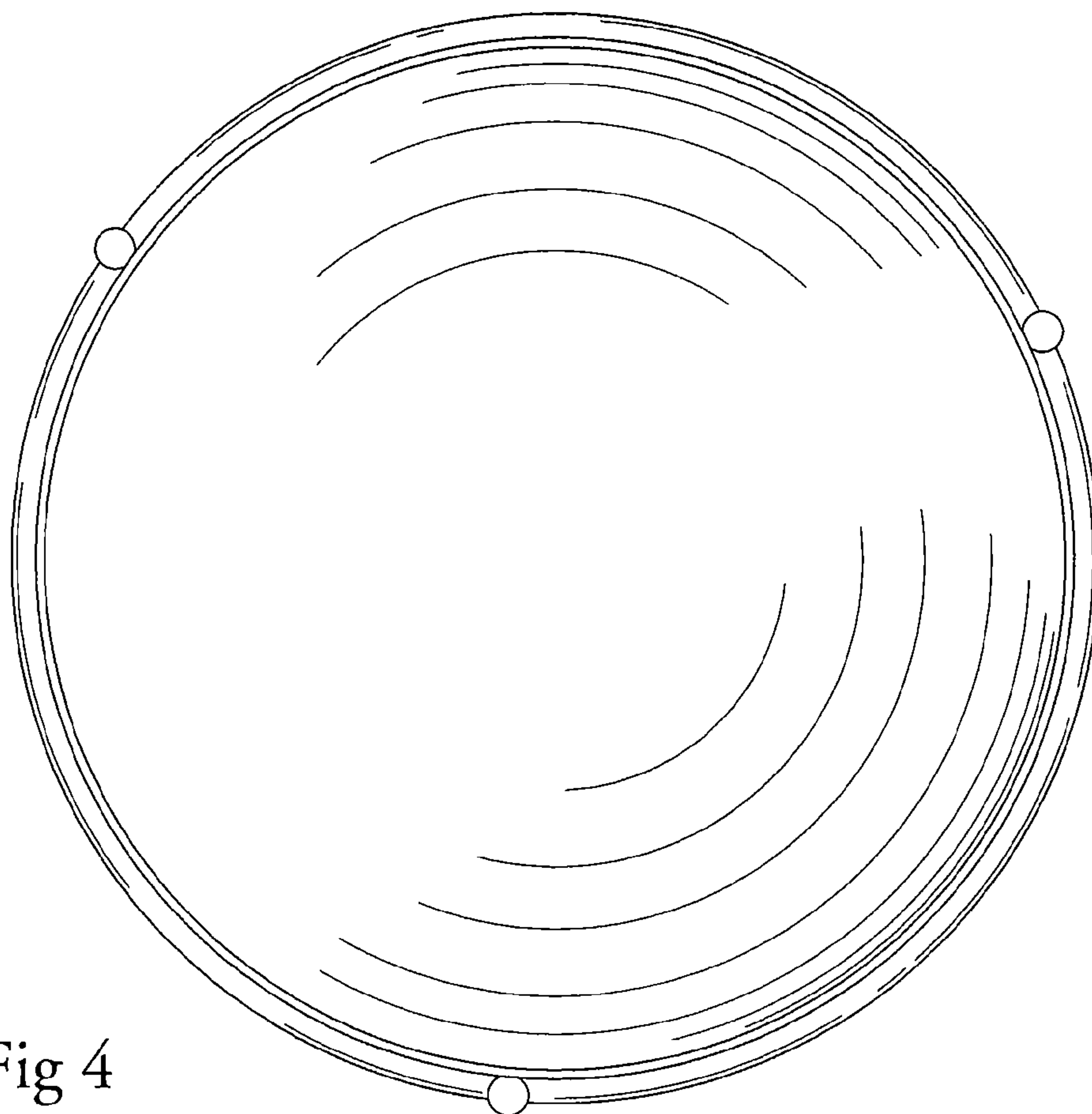


Fig 4