

US00D545996S

(12) **United States Design Patent**
Hargreaves

(10) **Patent No.:** **US D545,996 S**

(45) **Date of Patent:** **** Jul. 3, 2007**

(54) **INTERNAL REFLECTOR FOR REMOTE BALLAST**

D447,272 S * 8/2001 Smith D26/118
D456,938 S * 5/2002 Wardenburg D26/118

(75) Inventor: **Craig Hargreaves**, Vancouver, WA (US)

* cited by examiner

(73) Assignee: **IP Holdings, LLC**, Vancouver, WA (US)

Primary Examiner—Freda S. Nunn

Assistant Examiner—Kevin K. Rudzinski

(74) *Attorney, Agent, or Firm*—Robert J. Ireland

(**) Term: **14 Years**

(57) **CLAIM**

(21) Appl. No.: **29/262,627**

The ornamental design for an internal reflector for remote ballast, as shown and described.

(22) Filed: **Jul. 10, 2006**

DESCRIPTION

(51) **LOC (8) Cl.** **26-99**

(52) **U.S. Cl.** **D26/118**

(58) **Field of Classification Search** D26/3,
D26/24, 42, 72, 75, 85, 113, 118, 119, 128,
D26/120; 362/219, 257, 260, 294, 317, 362,
362/368, 217

See application file for complete search history.

FIG. 1 is a perspective view of the internal reflector for a remote ballast, according to the new and unique ornamental design;

FIG. 2 is a left side view of the internal reflector for a remote ballast, according to the new and unique ornamental design, the right side being a mirror image thereof;

FIG. 3 is a front side view of the internal reflector for a remote ballast, according to the new and unique ornamental design, the back side being a reversed mirror image thereof;

FIG. 4 is a top view of the internal reflector for a remote ballast, according to the new and unique ornamental design as shown in FIG. 1; and,

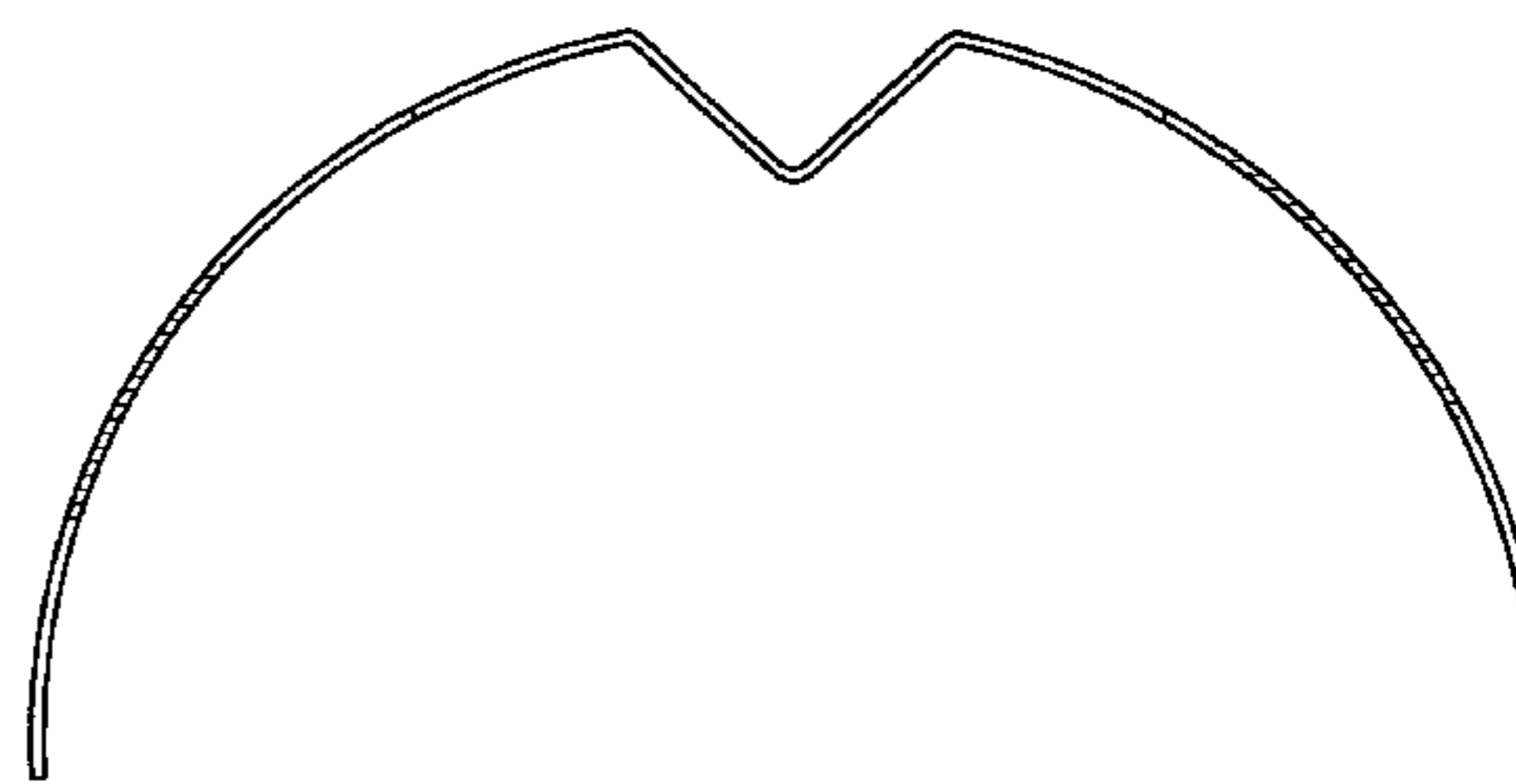
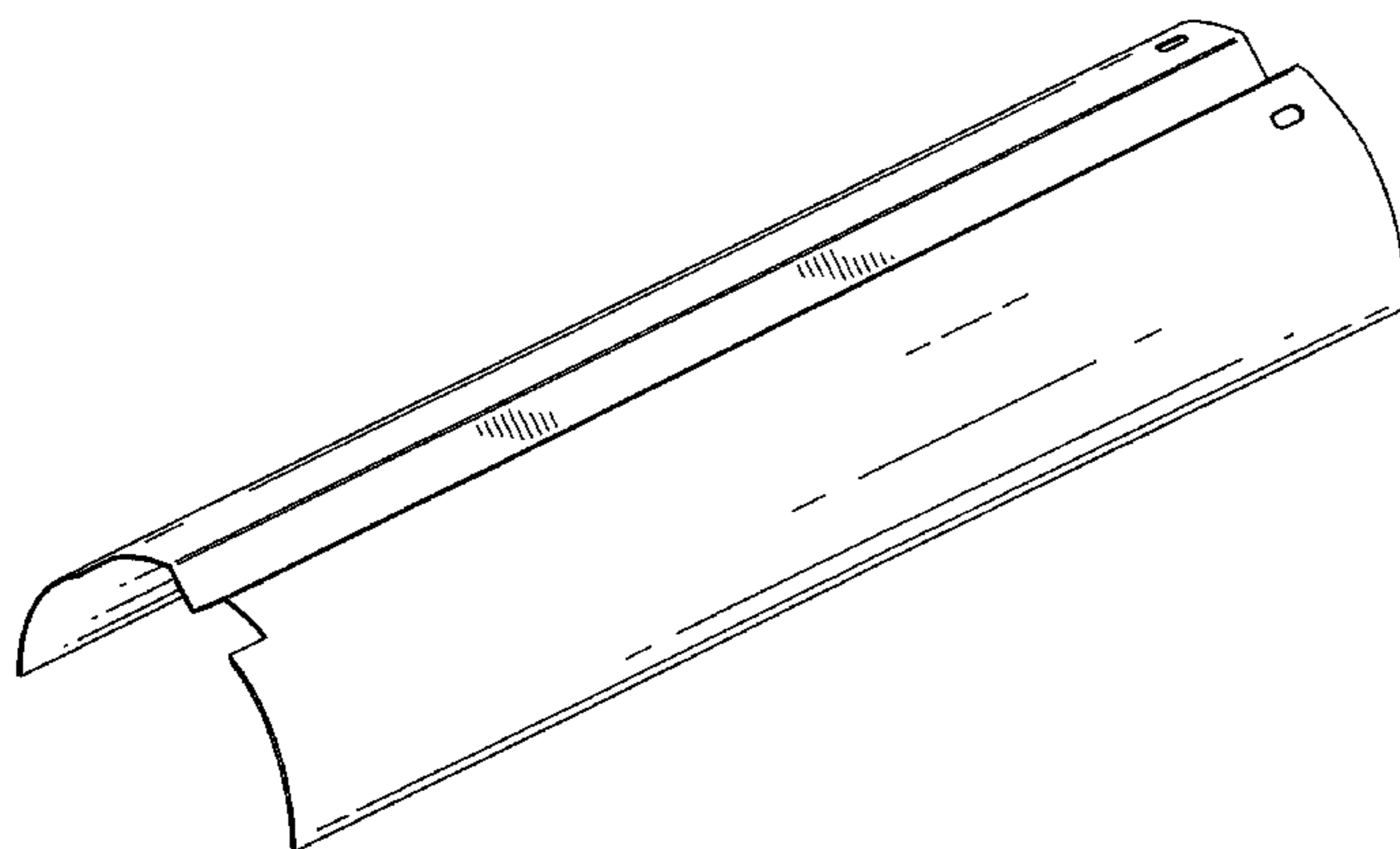
FIG. 5 is a bottom view of the internal reflector for a remote ballast, according to the new and unique ornamental design as shown in FIG. 1.

(56) **References Cited**

U.S. PATENT DOCUMENTS

2,194,841	A *	3/1940	Welch	362/217
4,078,169	A *	3/1978	Armstrong	362/122
D311,597	S *	10/1990	Poot	D26/118
5,570,947	A *	11/1996	Felland	362/148
D400,289	S *	10/1998	Wardenburg et al.	D26/118
D418,626	S *	1/2000	Herst et al.	D26/118
6,053,624	A *	4/2000	Cronk	362/347
D428,516	S *	7/2000	Reo et al.	D26/118
6,257,735	B1 *	7/2001	Baar	362/217

1 Claim, 5 Drawing Sheets



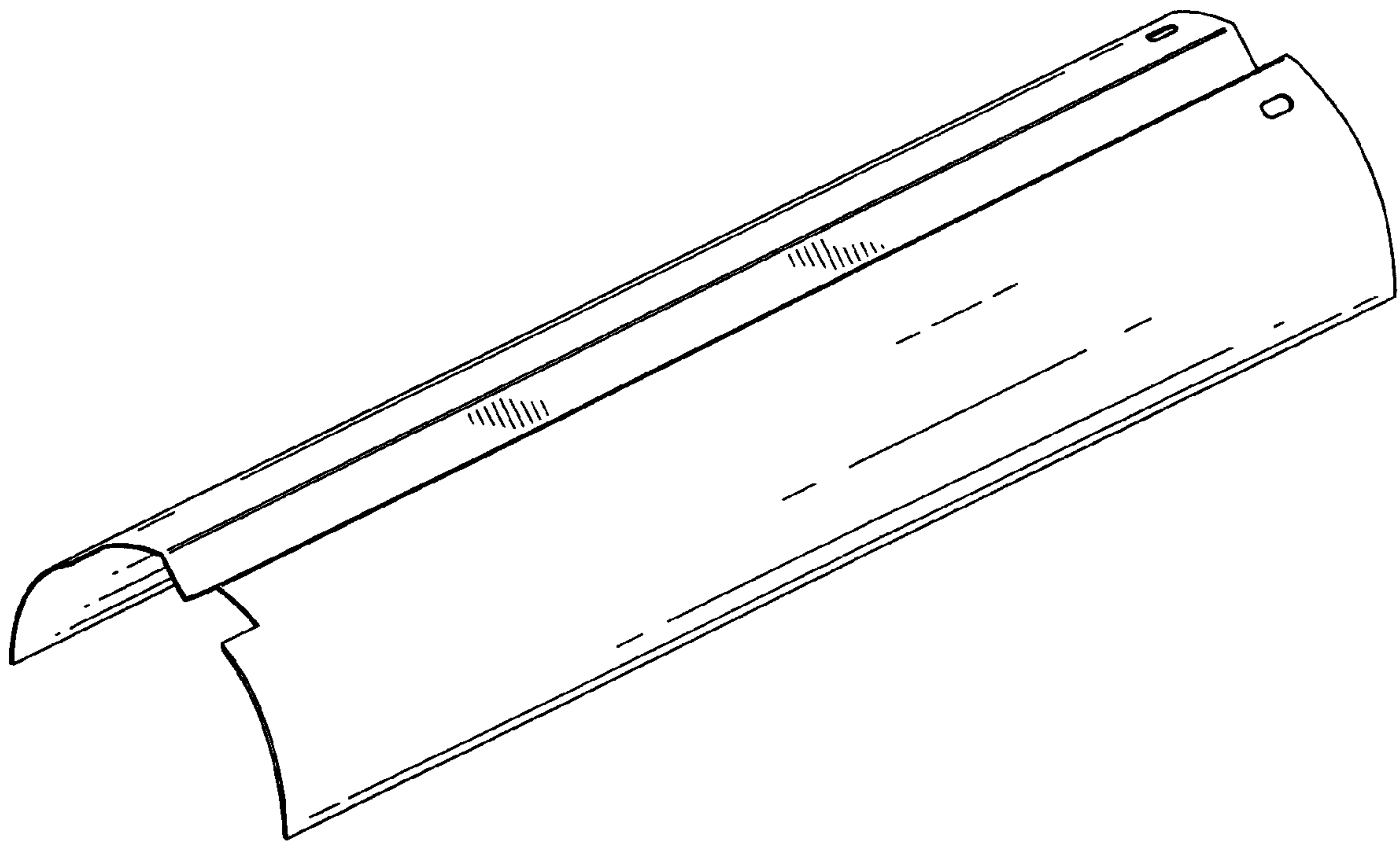


FIG. 1

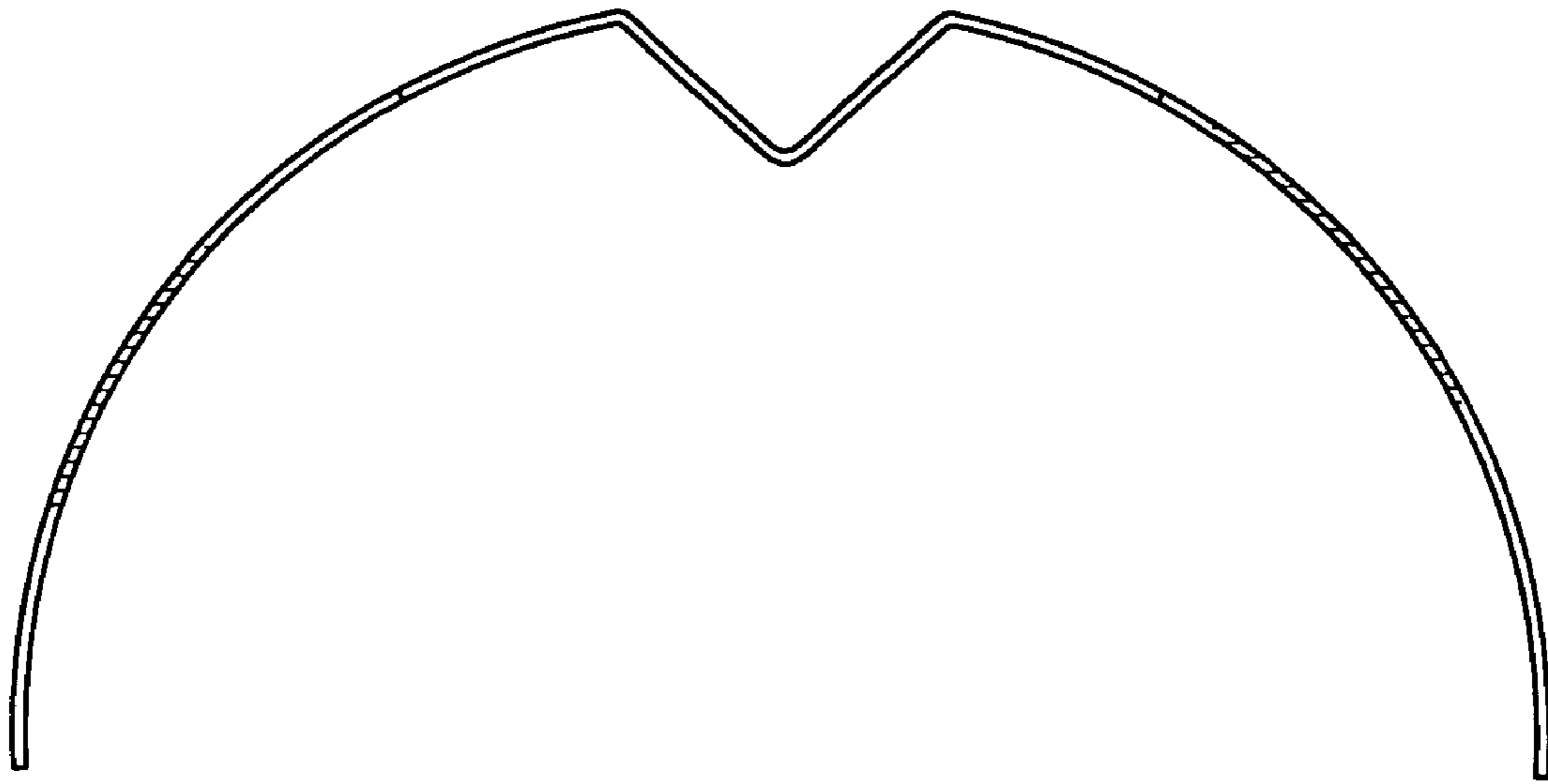


FIG. 2

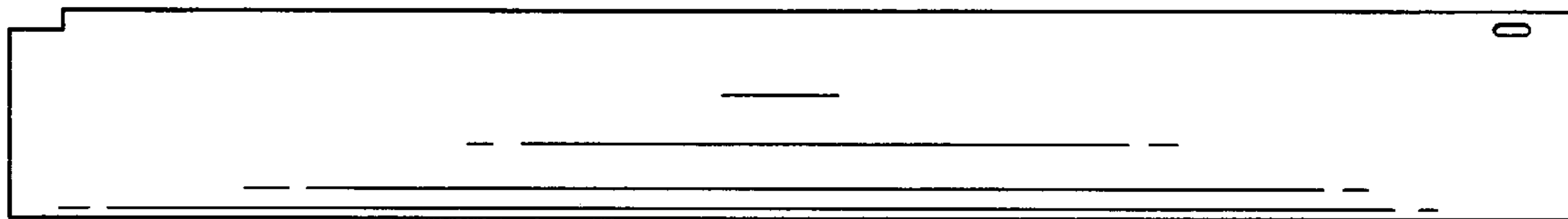


FIG. 3

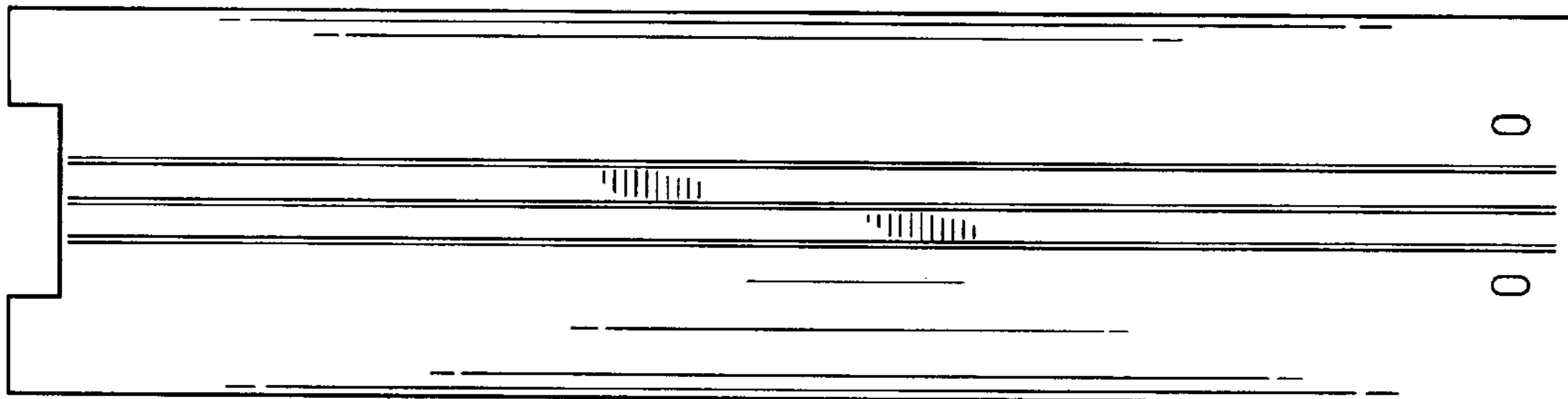


FIG. 4

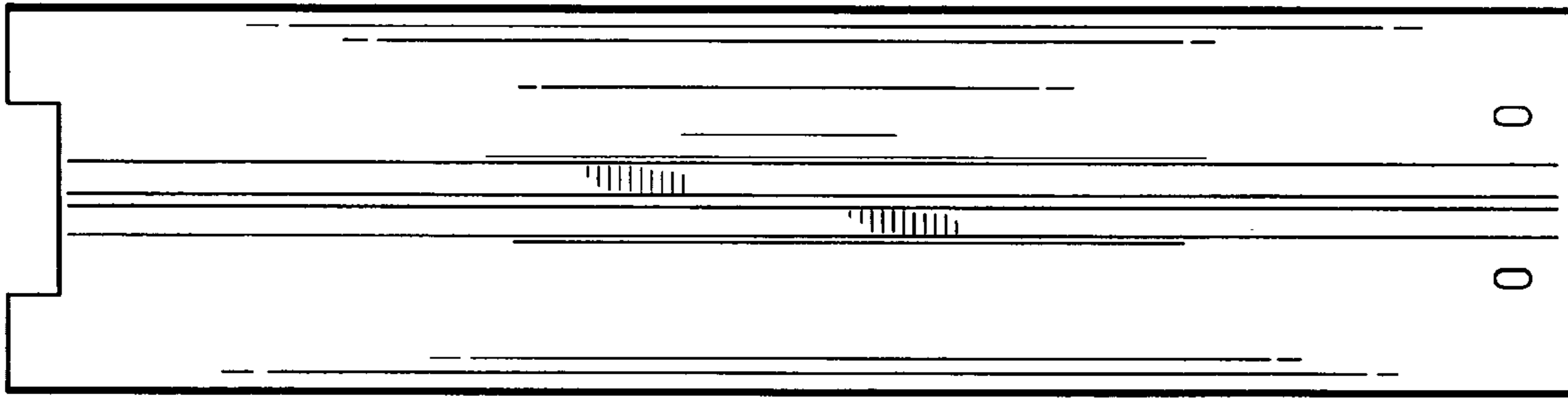


FIG. 5