

US00D545992S

(12) **United States Design Patent**
Mayfield, III et al.

(10) **Patent No.:** **US D545,992 S**
(45) **Date of Patent:** **** Jul. 3, 2007**

(54) **LIGHT FIXTURE**

(75) Inventors: **John T. Mayfield, III**, Loganville, GA (US); **Carl T. Gould**, Boulder, CO (US); **Kevin Leadford**, Evergreen, CO (US); **Stephen H. Lydecker**, Snellville, GA (US)

(73) Assignee: **Acuity Brands, Inc.**, Atlanta, GA (US)

(**) Term: **14 Years**

(21) Appl. No.: **29/215,589**

(22) Filed: **Oct. 21, 2004**

(51) **LOC (8) Cl.** **26-99**

(52) **U.S. Cl.** **D26/118**

(58) **Field of Classification Search** D26/118,
D26/76, 75, 152, 138, 77, 121, 74, 142, 128,
D26/113, 119, 120, 122; 362/223, 263, 225,
362/339, 404, 219, 217, 364, 291, 328, 257,
362/260, 317, 326, 330, 341

See application file for complete search history.

(56) **References Cited**

U.S. PATENT DOCUMENTS

D85,382 S *	10/1931	Guth	D26/24
1,888,103 A *	11/1932	Guth	362/348
D125,001 S *	2/1941	Klingsick	D26/78
D132,296 S *	5/1942	Hoeveler	D26/122
D132,786 S *	6/1942	Netting	D26/78
2,323,073 A *	6/1943	Netting	362/225
2,339,100 A *	1/1944	Netting	362/219
D156,743 S *	1/1950	Kennedy	D26/59
2,852,663 A	9/1958	Stuffer et al.	240/51.11
3,125,301 A *	3/1964	Stotter	362/217
3,265,887 A	8/1966	Wince		
3,270,194 A *	8/1966	Lee	362/218
3,838,268 A	9/1974	Fabbri	240/9

(Continued)

OTHER PUBLICATIONS

Peerless-Lighting, Parallels, pp. 1-2 (2005).

(Continued)

Primary Examiner—Freda S. Nunn

Assistant Examiner—Kevin K. Rudzinski

(74) *Attorney, Agent, or Firm*—Needle & Rosenberg, P.C.

(57) **CLAIM**

The ornamental design for a light fixture, as shown and described.

DESCRIPTION

FIG. 1 is a perspective view of a light fixture of the present invention;

FIG. 2 is a bottom plan view of the light fixture of FIG. 1;

FIG. 3 is a cross-sectional view of the light fixture of FIG. 1 taken along the line 3-3 in FIG. 2;

FIG. 4 is a cross-sectional view of the light fixture of FIG. 1 taken along the line 4-4 in FIG. 2;

FIG. 5 is a perspective view of a second embodiment of the light fixture of the present invention;

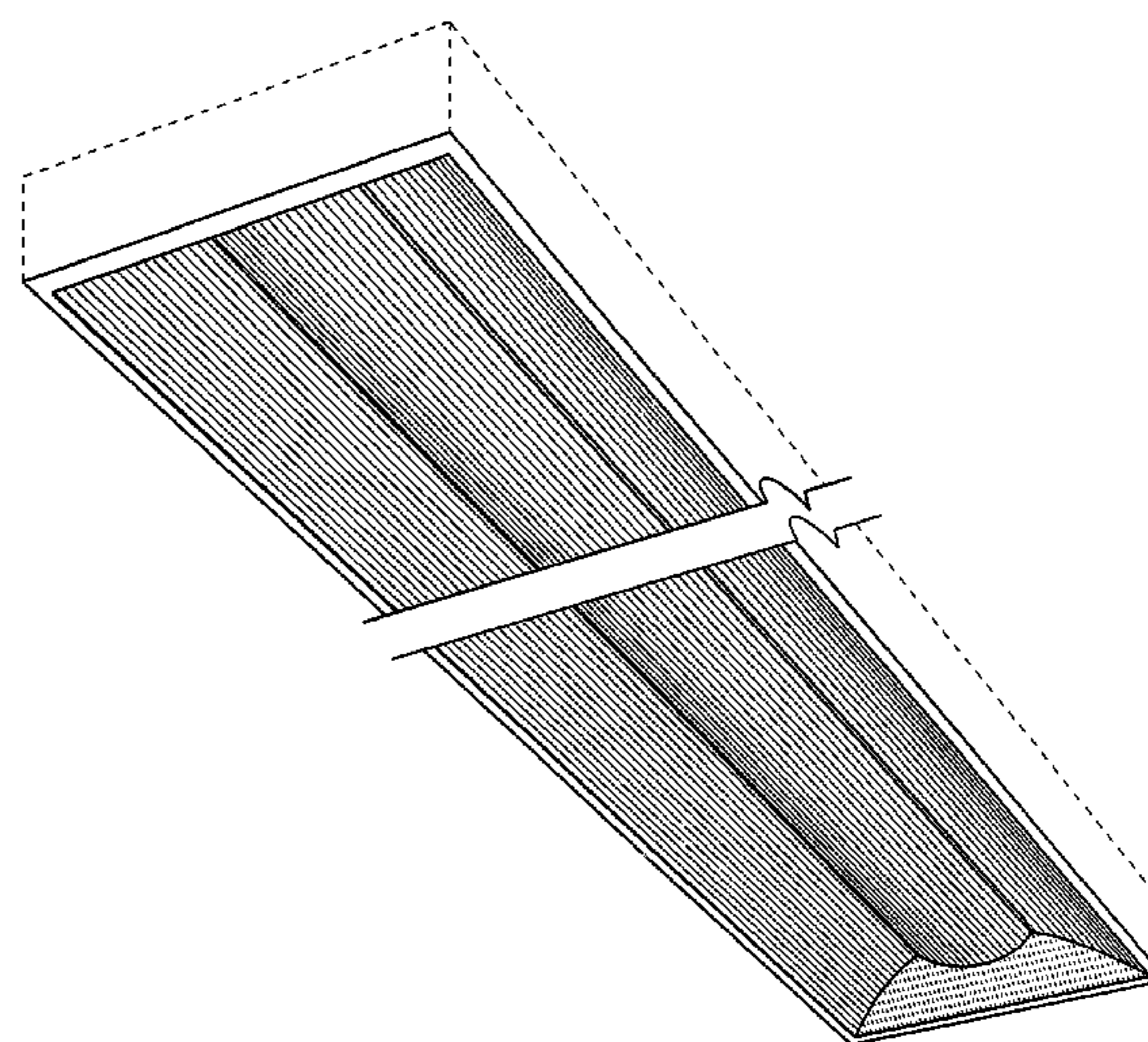
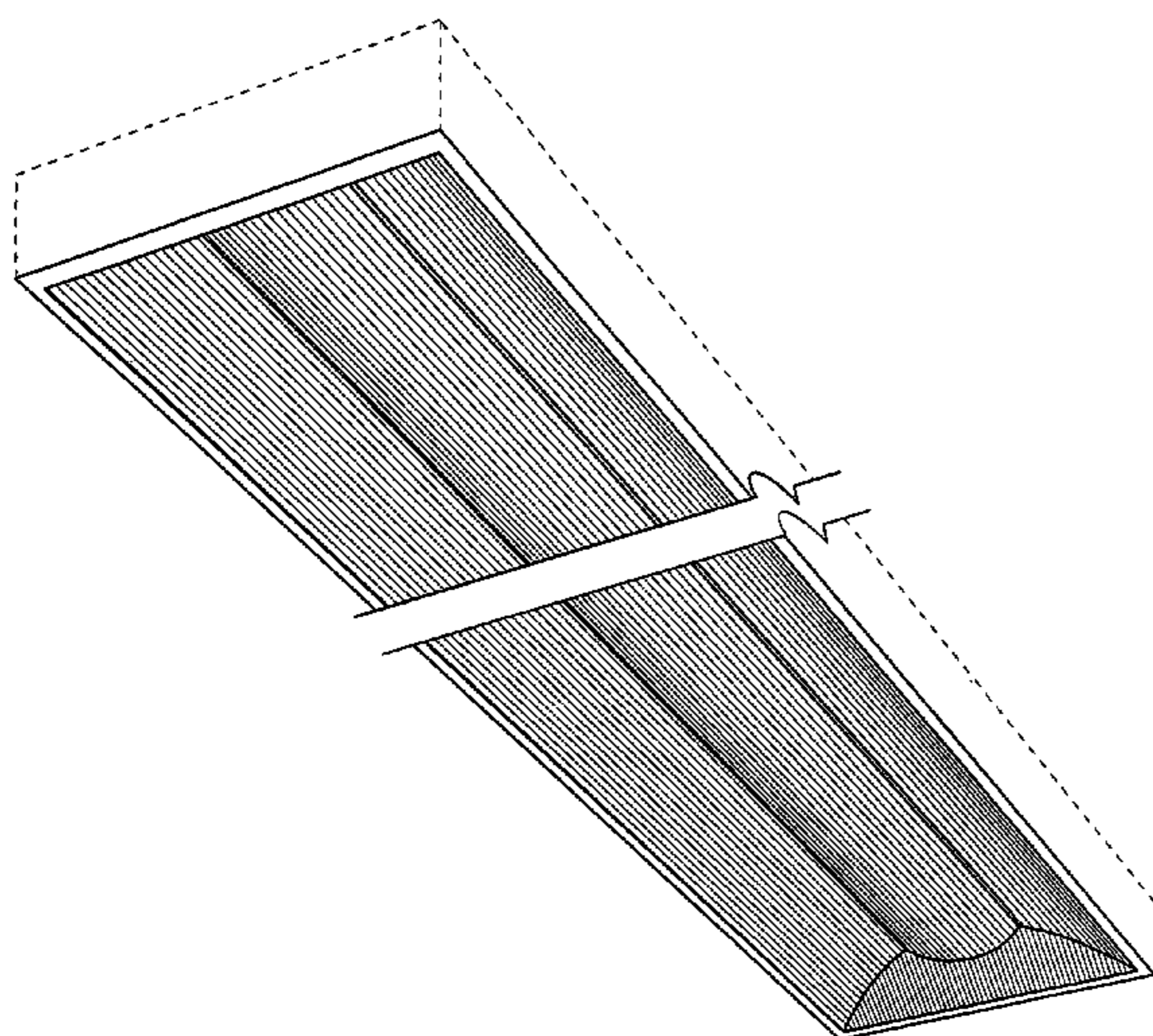
FIG. 6 is a bottom plan view of the light fixture of FIG. 5;

FIG. 7 is a cross-sectional view of the light fixture of FIG. 5 taken along the line 7-7 in FIG. 6; and,

FIG. 8 is a cross-sectional view of the light fixture of FIG. 5 taken along the line 8-8 in FIG. 6.

FIGS. 1, 2, 4, 5, 6, and 8 are broken away to indicate indeterminate length. The broken lines are shown in FIGS. 1, 3, 4, 5, 7, and 8 for illustrative purposes only and form no part of the claimed design. The broken lines in FIGS. 5, 6, and 7 on the respective end faces of the light fixture are for illustrative purposes only and form no part of the claimed design. The top of the light fixture is unornamented and forms no part of the design.

1 Claim, 6 Drawing Sheets



US D545,992 S

U.S. PATENT DOCUMENTS

3,860,903	A *	1/1975	Van Steenhoven	362/279	D480,172	S	9/2003	Herst et al.	D26/121
4,499,529	A *	2/1985	Figueroa	362/283	6,612,718	B1	9/2003	Packer et al.	362/267
D284,110	S *	6/1986	Mullins	D26/76	6,612,723	B2	9/2003	Futhey et al.	362/339
4,622,624	A *	11/1986	McCarthy et al.	362/217	D480,500	S	10/2003	Herst et al.	D26/121
4,698,734	A	10/1987	Ngai	362/225	D480,501	S	10/2003	Herst et al.	D26/121
4,799,136	A	1/1989	Molnar	362/300	D480,502	S	10/2003	Herst et al.	D26/121
D300,873	S *	4/1989	Thompson et al.	D26/74	D480,503	S	10/2003	Herst et al.	D26/121
5,062,030	A *	10/1991	Figueroa	362/346	D480,530	S	10/2003	Herst et al.	121/77
5,192,129	A *	3/1993	Figueroa	362/346	D480,830	S	10/2003	Sieczkowski	D26/118
D348,950	S *	7/1994	Herst et al.	D26/85	D481,488	S	10/2003	Herst et al.	D26/121
D351,481	S *	10/1994	Cole, Jr.	D26/76	D481,489	S	10/2003	Cline et al.	D26/128
5,555,162	A *	9/1996	Shemitz	362/225	6,637,912	B2	10/2003	Arumugasaamy et al.	..	362/327
5,570,947	A *	11/1996	Felland	362/148	D481,820	S	11/2003	Watt	D26/77
5,746,502	A	5/1998	Huang	362/223	6,652,118	B2	11/2003	Shemitz et al.	362/225
D397,819	S	9/1998	Thorton, Jr.	D26/77	D483,510	S	12/2003	Fritze et al.	D26/75
D399,586	S *	10/1998	Ranieri et al.	D26/74	6,655,819	B2	12/2003	Loga et al.	362/263
D407,473	S *	3/1999	Wimbock	D23/328	D485,932	S	1/2004	Crane	D26/76
D411,641	S *	6/1999	Ranieri et al.	D26/74	D487,527	S	3/2004	Sieczkowski	D26/76
D413,402	S *	8/1999	Ranieri et al.	D26/74	6,709,131	B1	3/2004	Herst et al.	362/223
5,971,571	A	10/1999	Rose	362/346	6,726,345	B2	4/2004	Arumugasaamy et al.	..	362/327
5,988,829	A	11/1999	Holder	362/217	D496,121	S *	9/2004	Santoro	D26/74
5,988,836	A	11/1999	Swarens	362/364	2002/0080615	A1	6/2002	Marshall et al.	362/333
6,102,550	A	8/2000	Edwards, Jr.	362/221						
D440,341	S	4/2001	Arumugasaamy	D26/85						
6,238,065	B1	5/2001	Jones	362/339						
6,280,052	B1	8/2001	White	362/225						
6,419,375	B1	7/2002	Leadford et al.	362/297						
D461,267	S	8/2002	Arumugasaamy	D26/85						
6,454,442	B1	9/2002	Changaris	362/297						
6,485,166	B1	11/2002	Fouke	362/340						
D467,676	S	12/2002	Packer et al.	D26/72						
D467,677	S	12/2002	Ries et al.	D26/88						
6,505,953	B1	1/2003	Dahlen	362/217						
6,505,959	B2	1/2003	Masaki et al.	362/339						
6,530,681	B2	3/2003	Sieczkowski	362/404						
6,537,649	B1	3/2003	Martin et al.	428/172						
D472,665	S	4/2003	Herst et al.	D26/113						
D472,666	S	4/2003	Herst et al.	D26/113						
D472,667	S	4/2003	Herst et al.	D26/113						
D472,668	S	4/2003	Herst et al.	D26/113						
D473,007	S	4/2003	Herst et al.	D26/113						
D473,335	S	4/2003	Bohard et al.	D26/113						
6,540,382	B1	4/2003	Simon	362/339						
D477,891	S	7/2003	Fritze et al.	D26/74						
D480,168	S	9/2003	Herst et al.	D26/77						

OTHER PUBLICATIONS

Lithonia Lighting, an Acuity Brands Company, Avante, Recessed Direct/Indirect Lighting, pp. 1-4 (1996).
 Lithonia Lighting, an Acuity Brands Company, Avante, Direct/Indirect General Lighting System, pp. 1-2 (1995).
 Lightolier, CFI Fluorescent, Alter Soft Lights, 1-8 (1996).
 Alter, pp. 1-6 (1994).
 Lithonia Lighting, an Acuity Brands Company, Product Selection Guide, 8th Edition, pp. 1-620 (2003).
 Lithonia Lighting, an Acuity Brands Company, Avante Recessed Direct/Indirect Lighting, pp. 1-3 (1997).
 Lithonia Lighting, an Acuity Brands Company, Architectural Fluorescent Recessed Direct/Indirect Lighting, pp. 1-13 (1999).
 Genlyte/Thomas, Lightolier, Alter Soft Lights, pp. 1-67 (2003).
 Cooper Lighting, Metalux, p. 1-8 (1999).
 Columbia Lighting, Stratus, pp. 1-9, (1998).
 Focal Point, Luna, pp. 1-5 (1997).
 Lithonia Lighting, an Acuity Brands Company, Direct/Indirect Lighting, pp. 1-15 (2002).
 Lithonia Lighting, an Acuity Brands Company, Product Selection Guide, 8th ed. p. 14-93, 112-115.

* cited by examiner

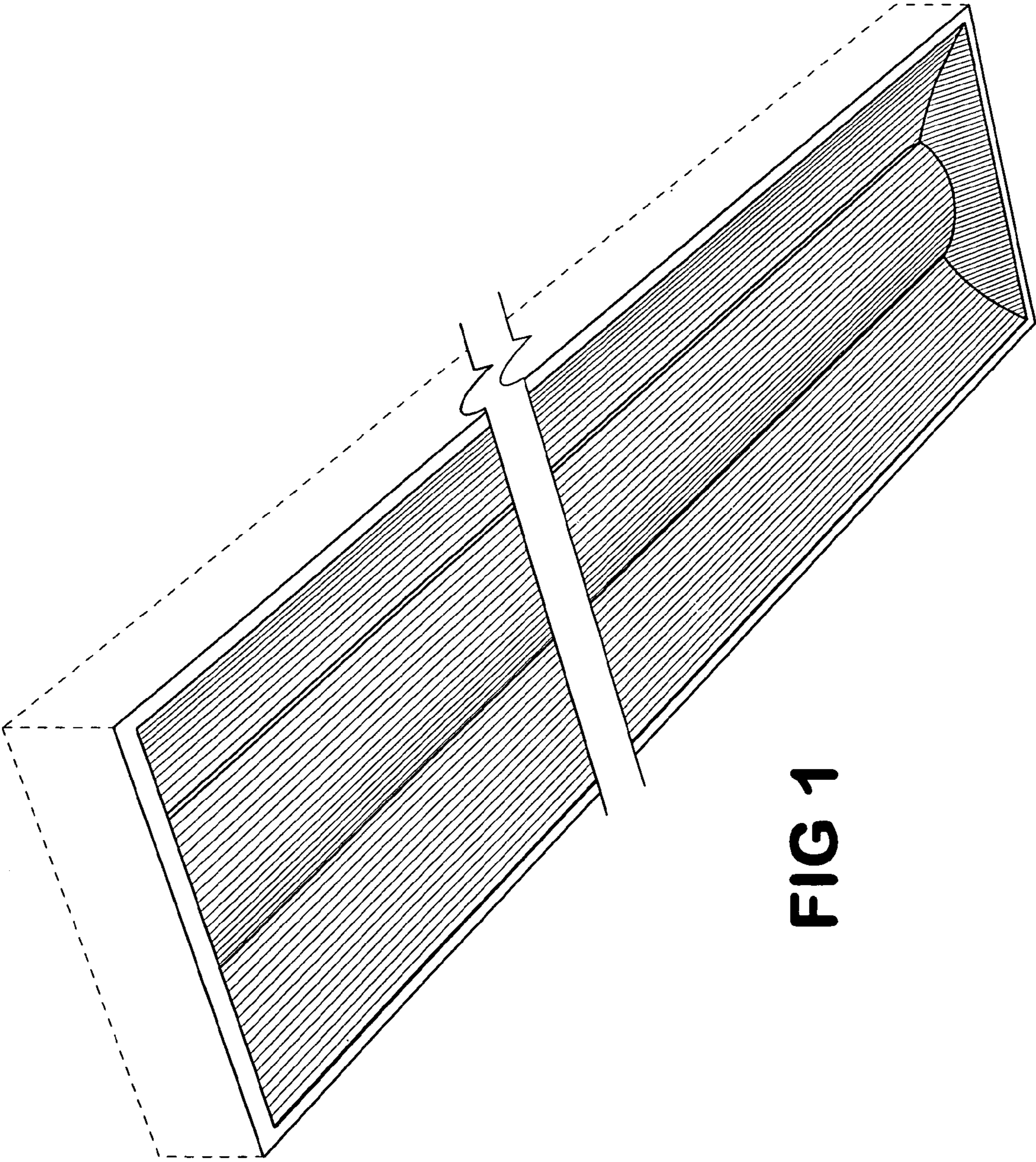


FIG 1

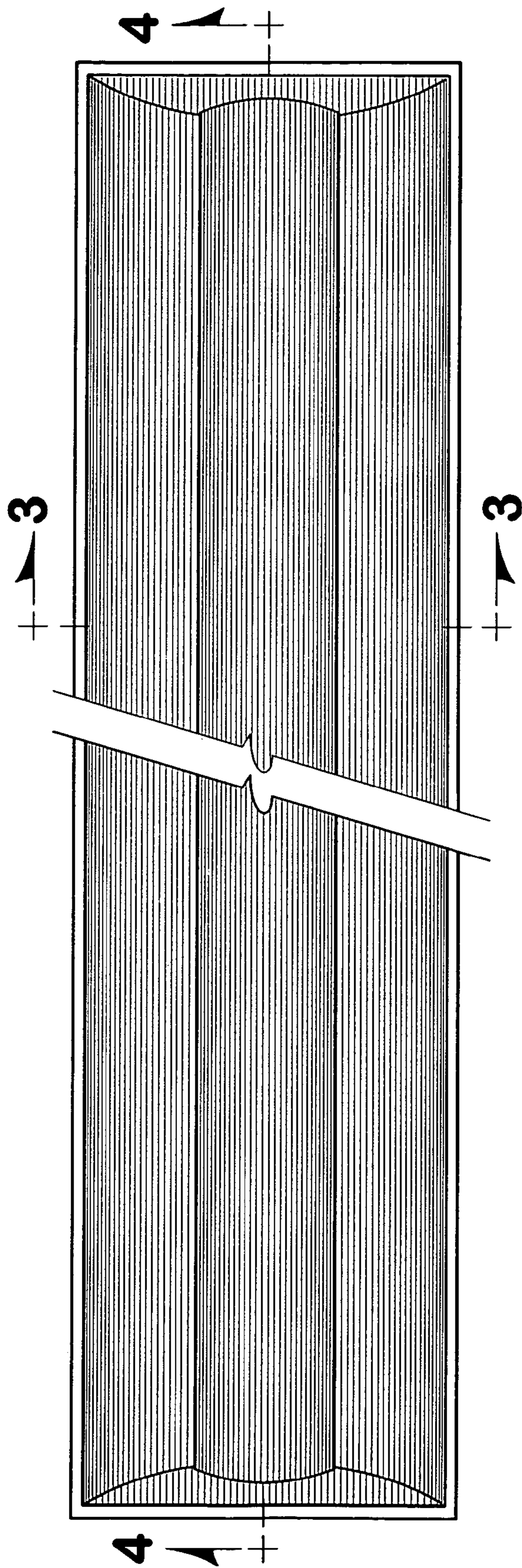


FIG 2

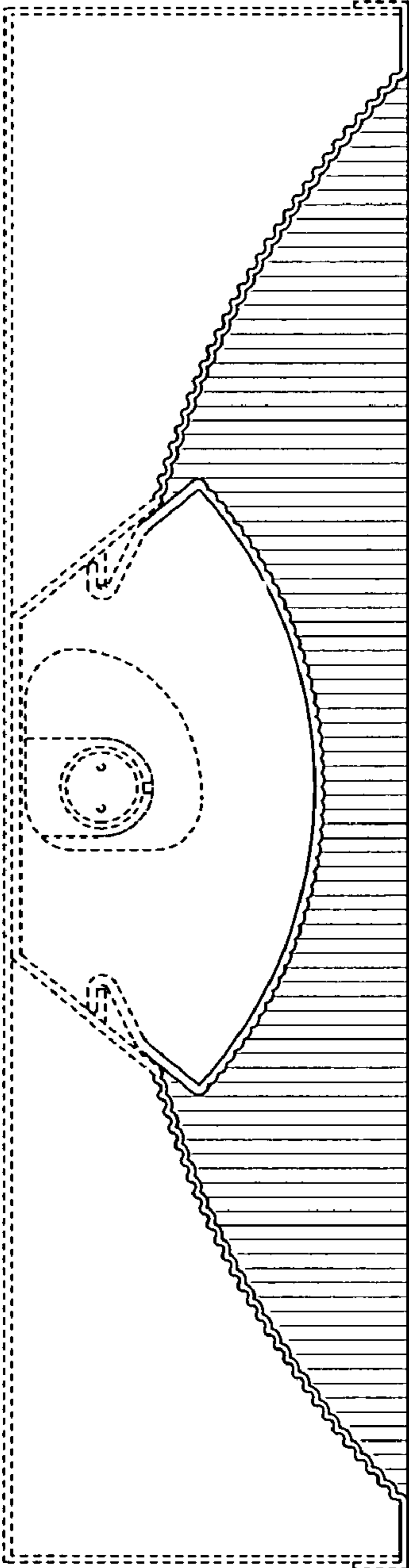


FIG 3

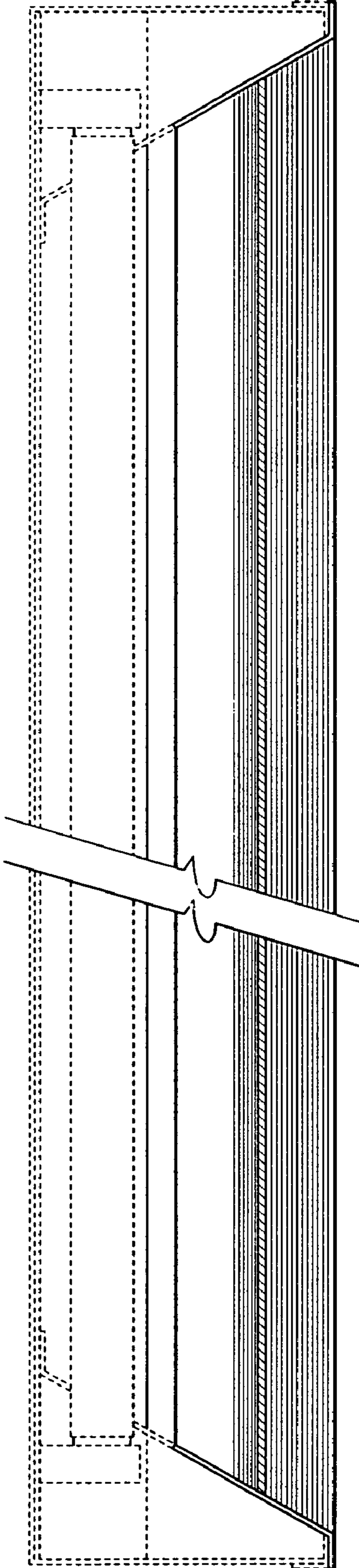


FIG 4

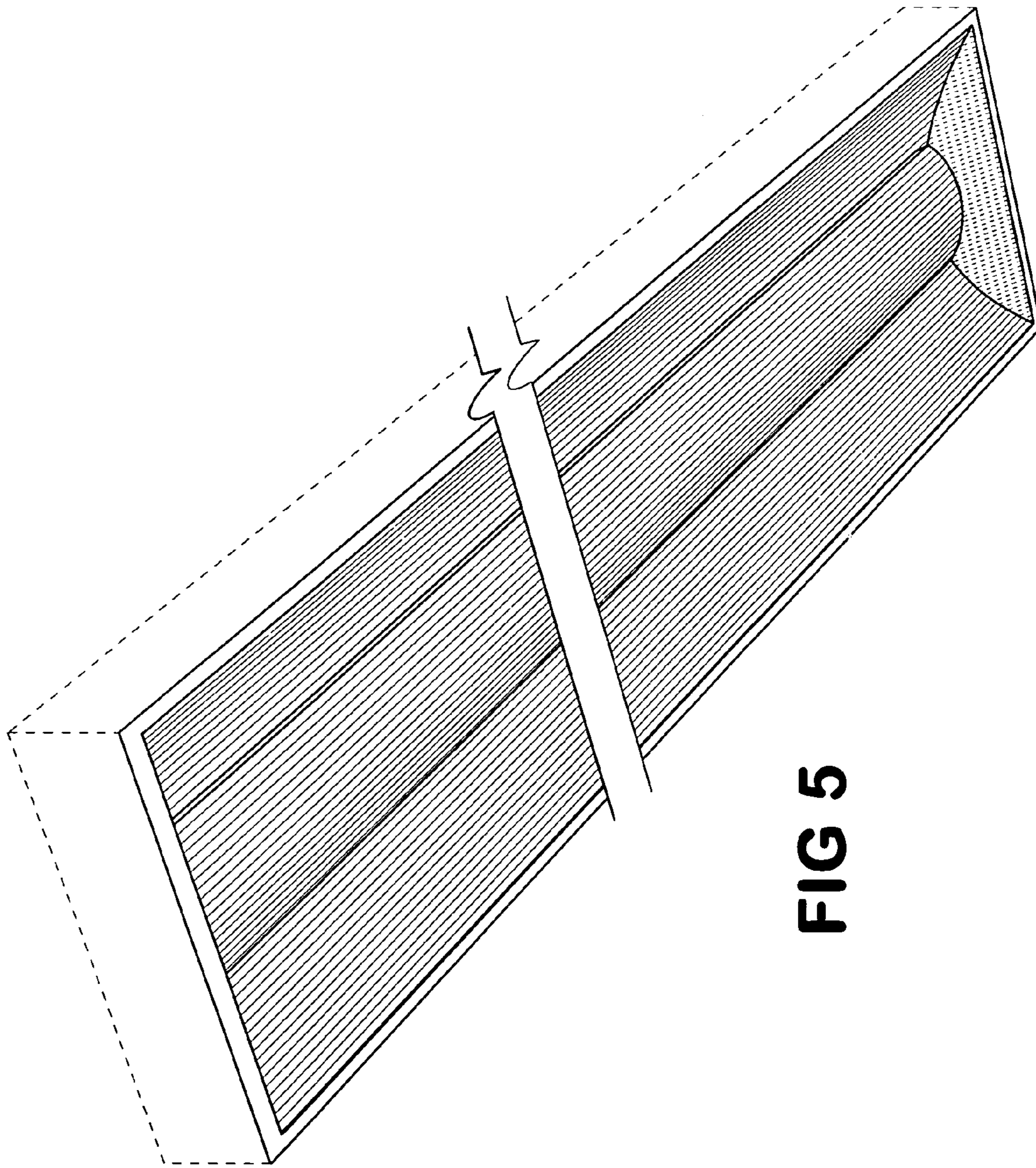


FIG 5

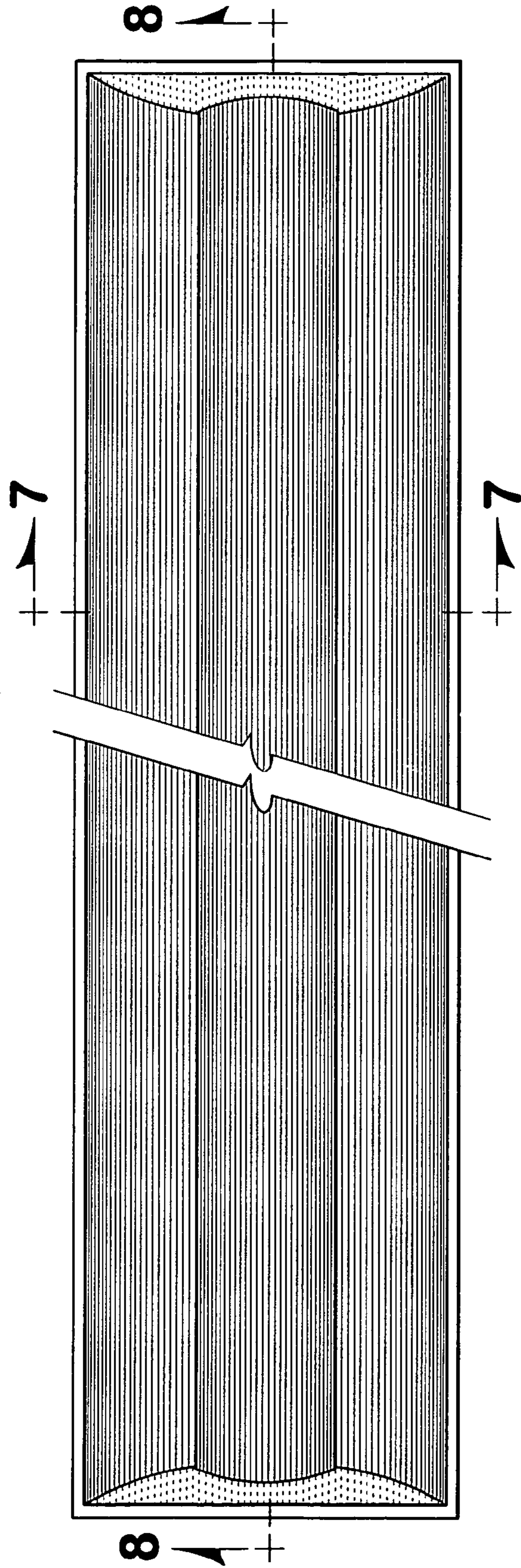


FIG 6

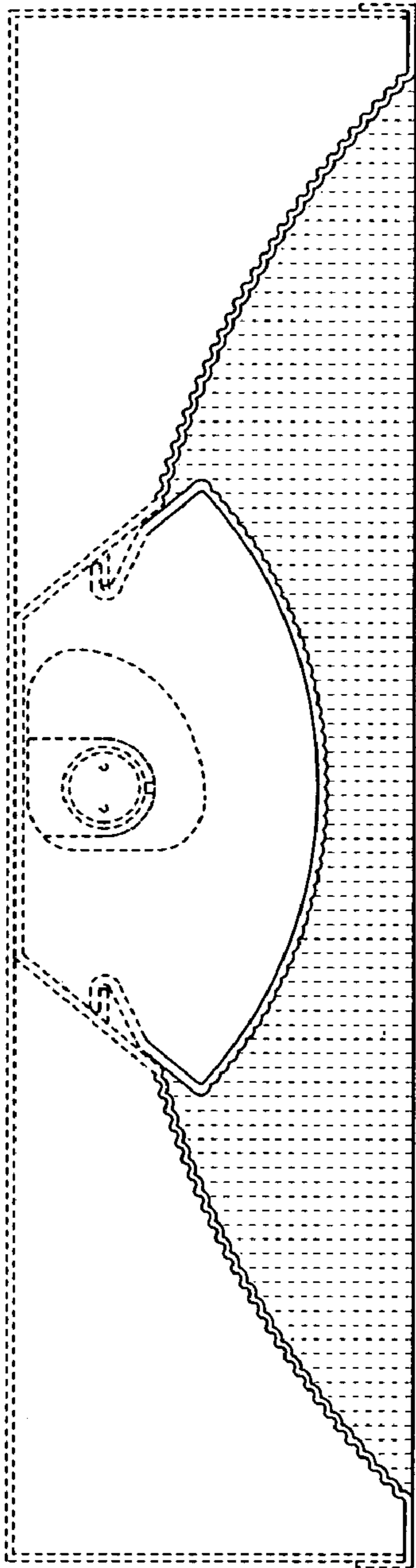


FIG 7

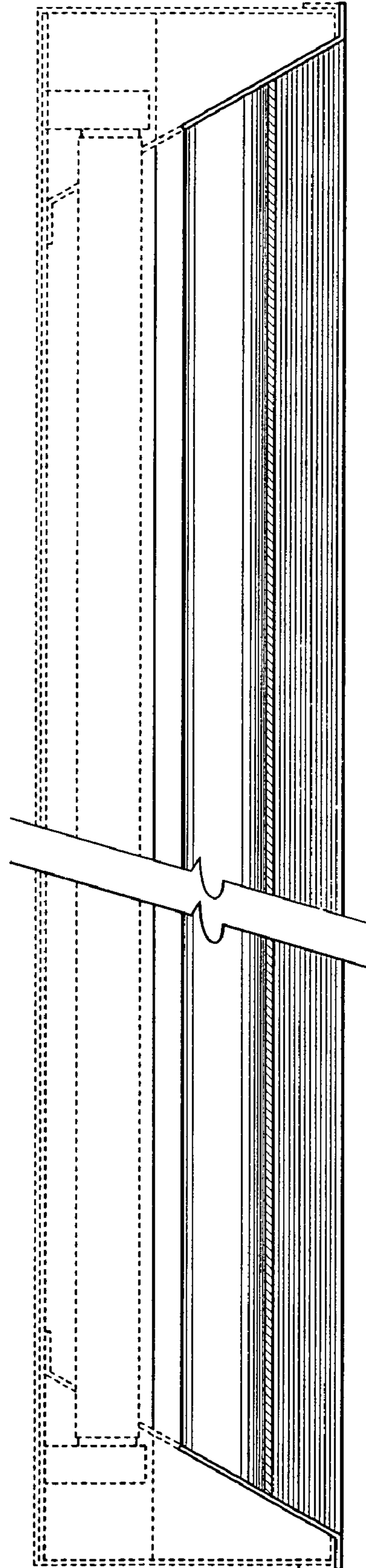


FIG 8