



US00D545988S

(12) **United States Design Patent**  
**Goetz-Schaefer**

(10) **Patent No.:** **US D545,988 S**

(45) **Date of Patent:** **\*\* Jul. 3, 2007**

(54) **LIGHT FIXTURE**

(75) Inventor: **Katharina Goetz-Schaefer**, Bad  
Salzufflen (DE)

(73) Assignee: **Zumtobel Lighting GmbH & Co.KG.**,  
Lemgo (DE)

(\*\*) Term: **14 Years**

(21) Appl. No.: **29/259,340**

(22) Filed: **May 5, 2006**

(30) **Foreign Application Priority Data**

Nov. 11, 2005 (EM) ..... 000430764-0001

(51) **LOC (8) Cl.** ..... **26-05**

(52) **U.S. Cl.** ..... **D26/74; D26/71**

(58) **Field of Classification Search** ..... D26/63-65,  
D26/72, 75, 85-89, 71; 362/147-148, 364-366  
See application file for complete search history.

(56) **References Cited**

U.S. PATENT DOCUMENTS

5,609,413 A \* 3/1997 Lecluze ..... 362/364

D384,431 S \* 9/1997 Bitton ..... D26/74

6,132,069 A *	10/2000	Sato et al. ....	362/365
6,152,571 A *	11/2000	Ruiz .....	362/101
D437,654 S *	2/2001	Chen .....	D26/74
6,457,848 B1 *	10/2002	Wolf et al. ....	362/364
6,505,960 B2 *	1/2003	Schubert et al. ....	362/365
6,755,558 B2 *	6/2004	Krietenstein et al. ....	362/365
6,779,910 B1 *	8/2004	Pelton .....	362/364
2002/0131271 A1 *	9/2002	Schubert et al. ....	362/365

\* cited by examiner

*Primary Examiner*—Clare E Heflin

(74) *Attorney, Agent, or Firm*—Marshall, Gerstein & Borun  
LLP

(57) **CLAIM**

The ornamental design for a light fixture, as shown.

**DESCRIPTION**

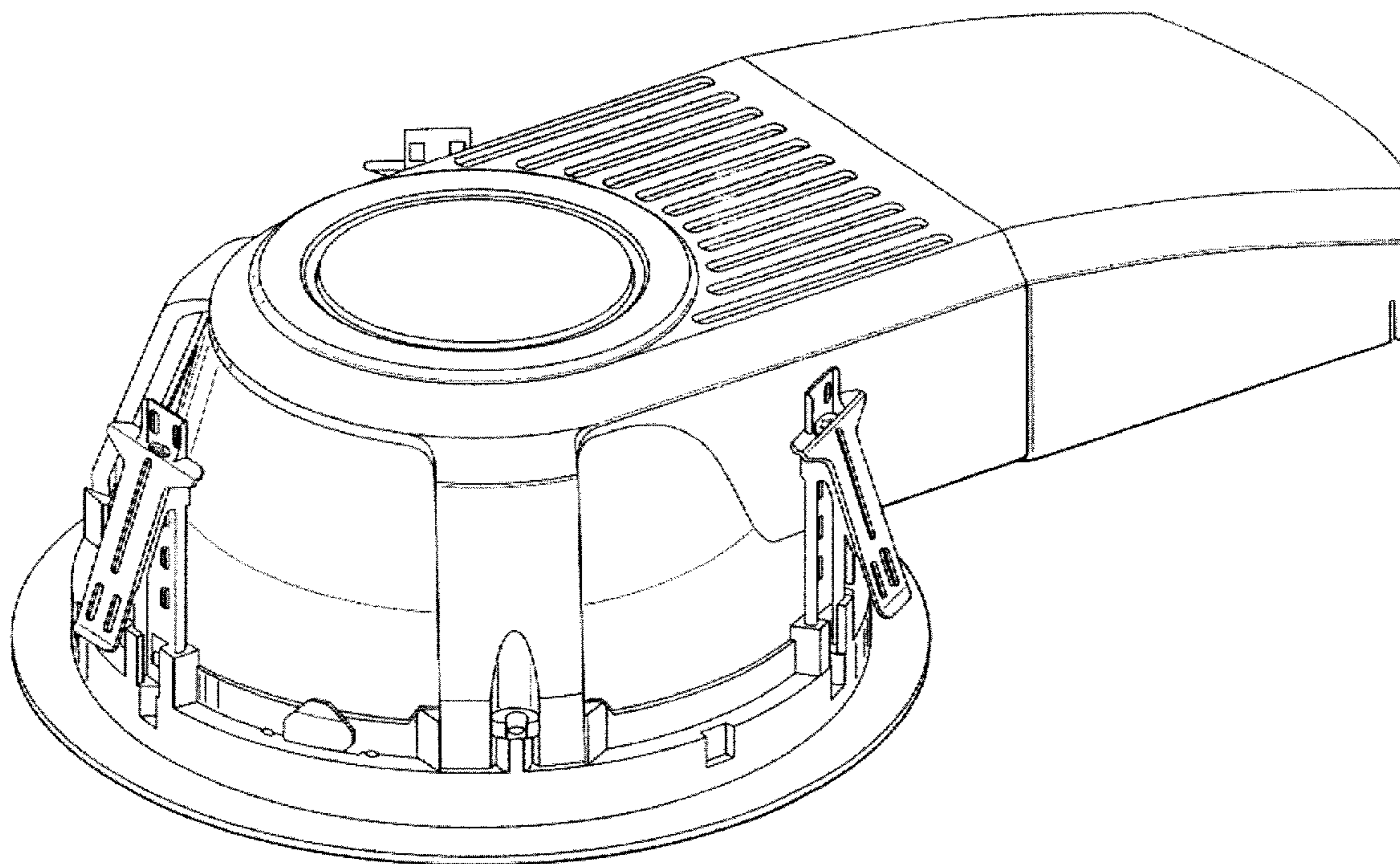
FIGS. 1 and 2 are perspective views of a light fixture that has the design.

FIG. 3 is top plan view of the light fixture.

FIG. 4 is a bottom plan view of the light fixture; and,

FIGS. 5-8 are rotated side views of the light fixture.

**1 Claim, 8 Drawing Sheets**



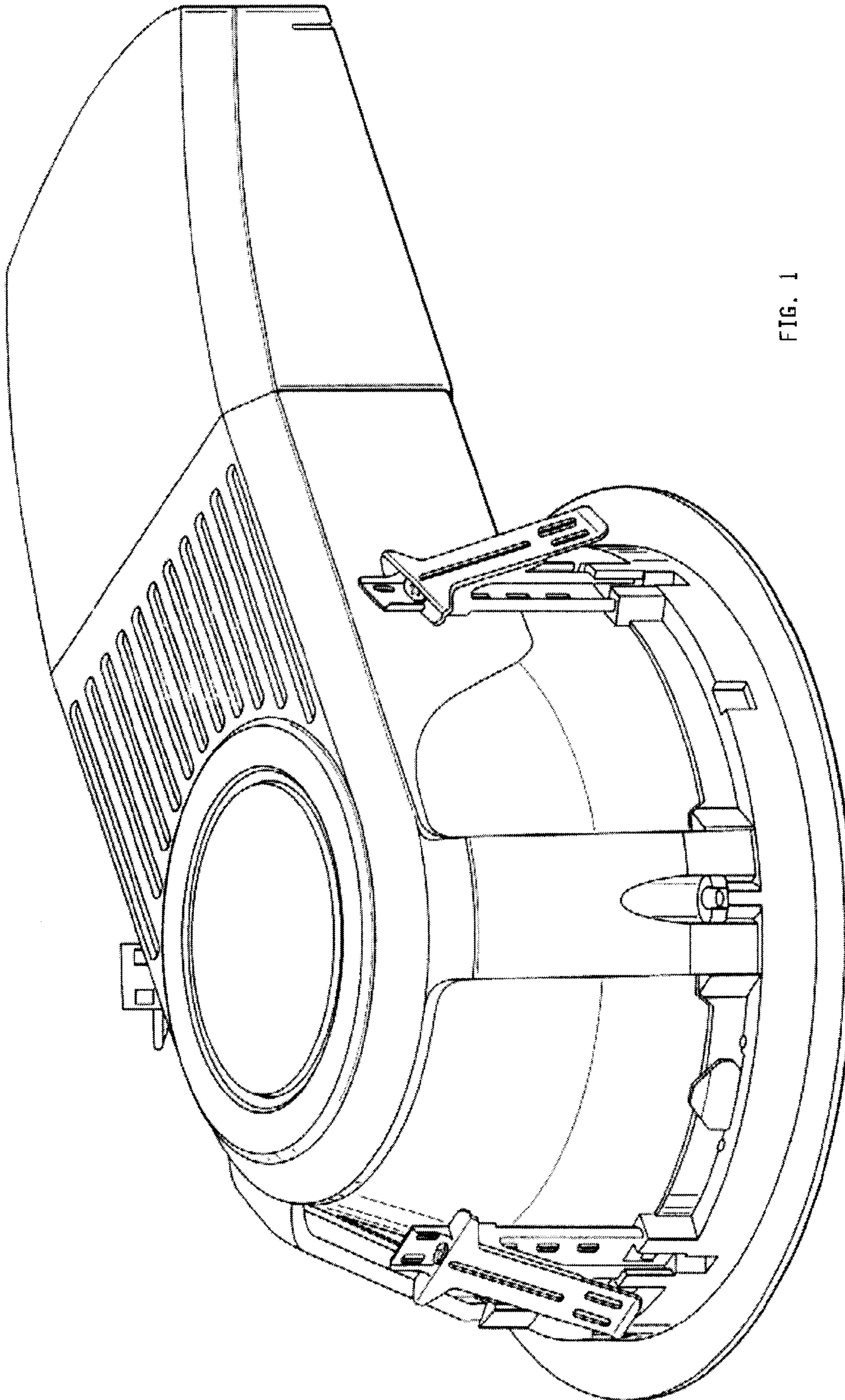


FIG. 1



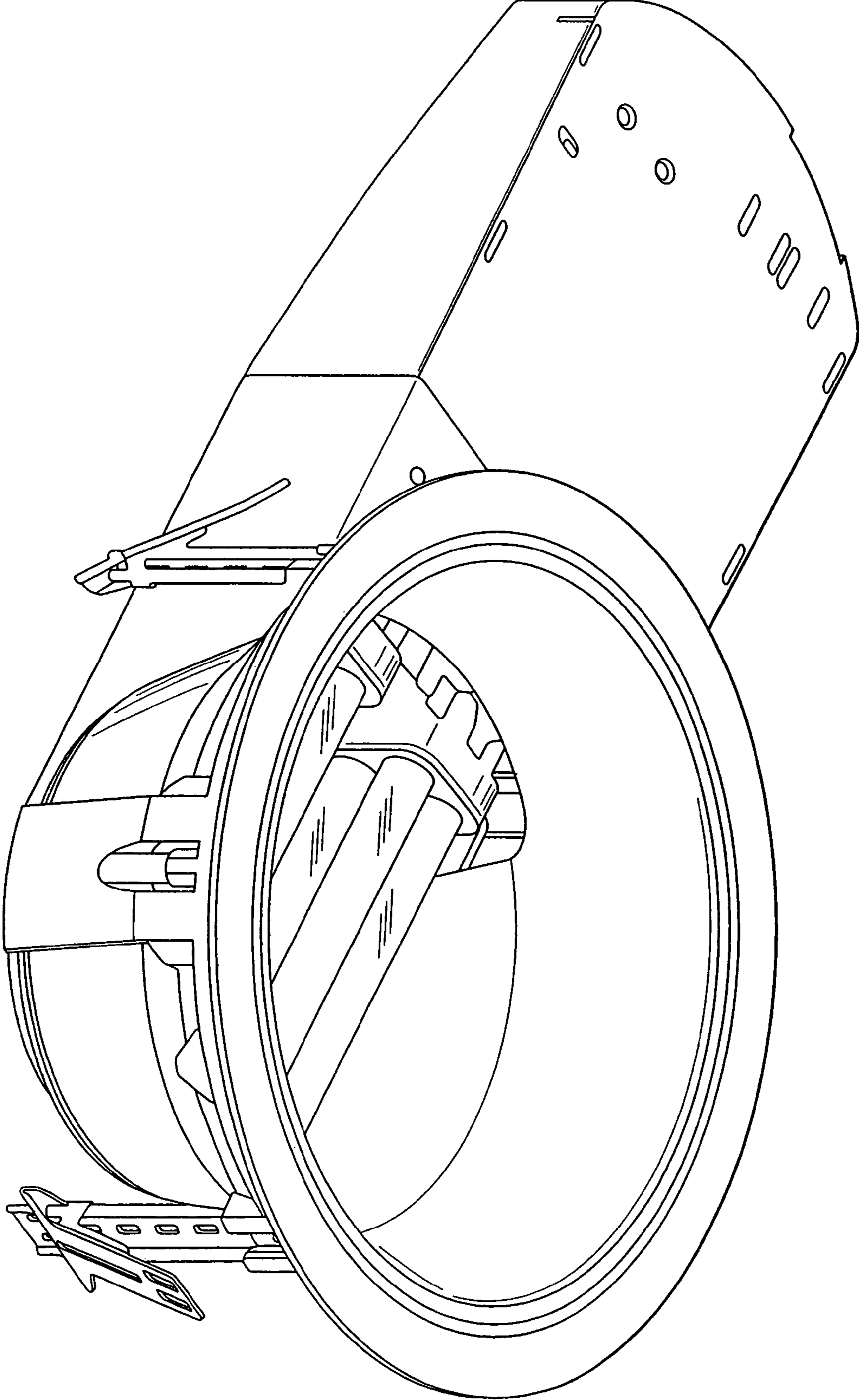


FIG. 2

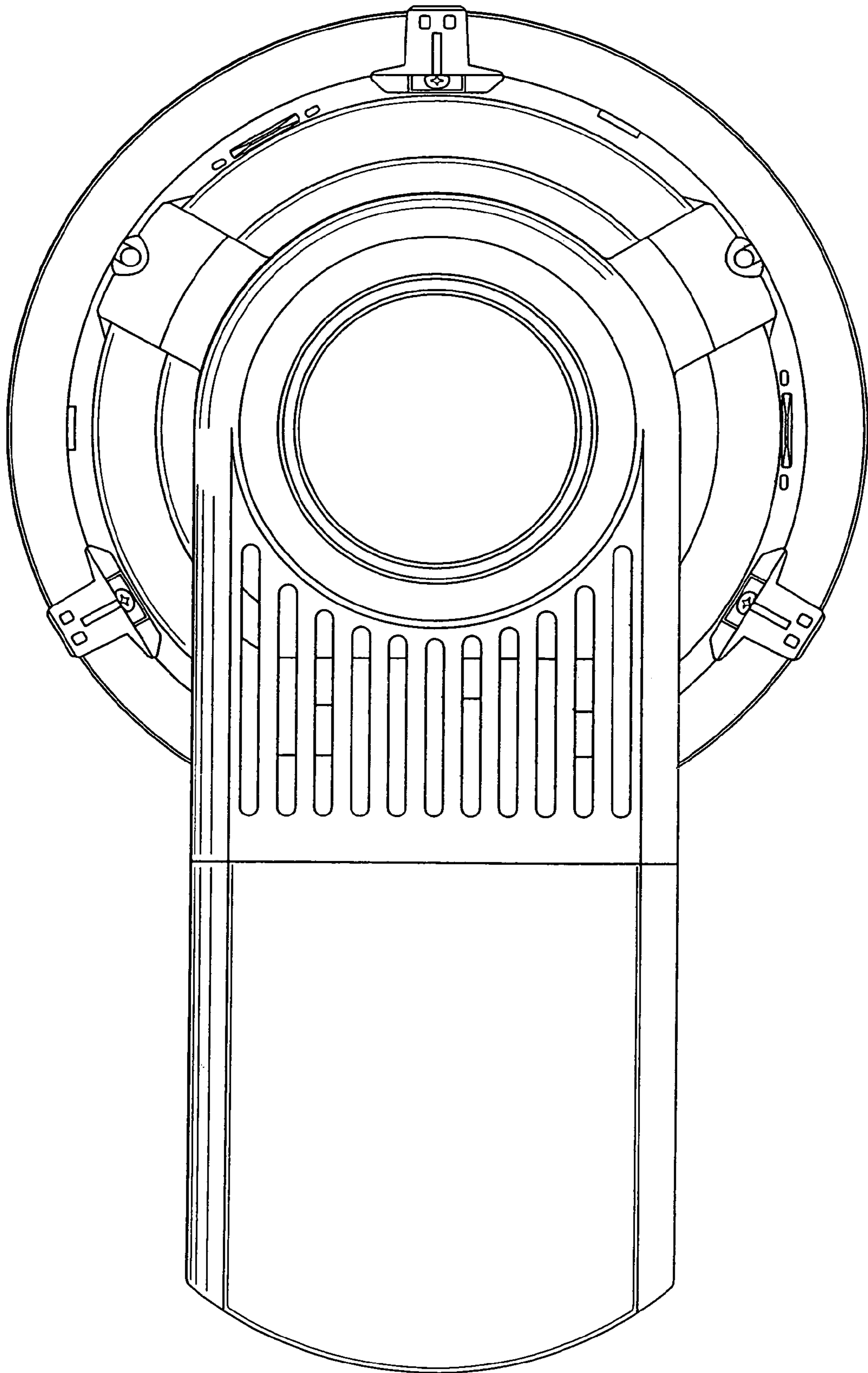


FIG. 3

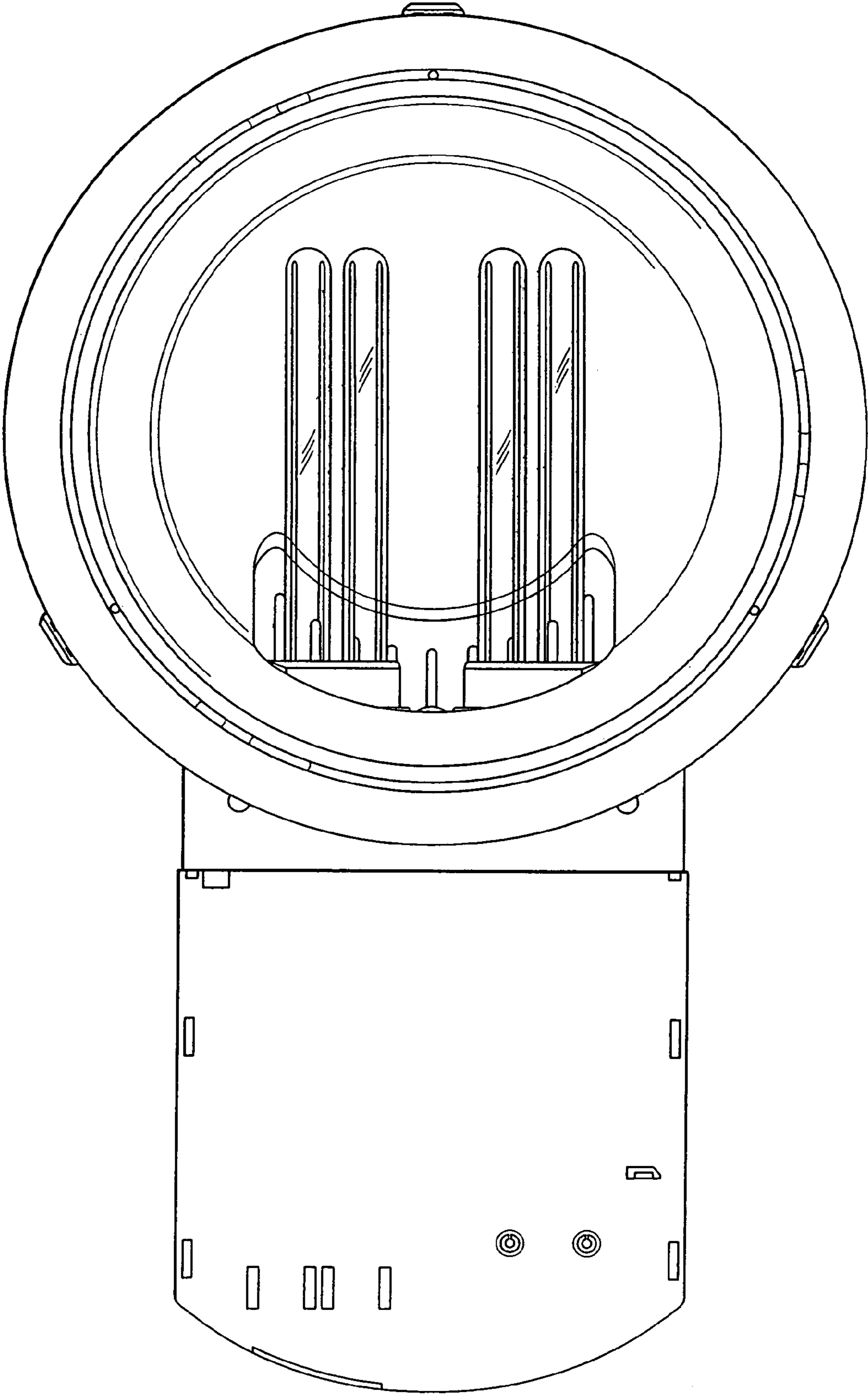


FIG. 4

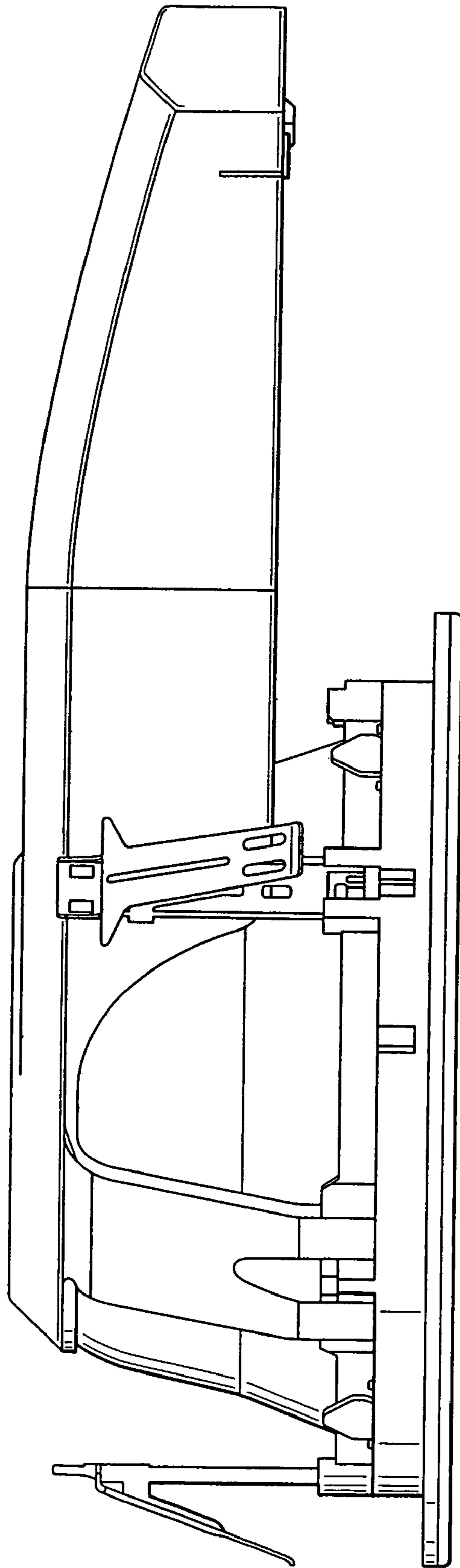


FIG. 5

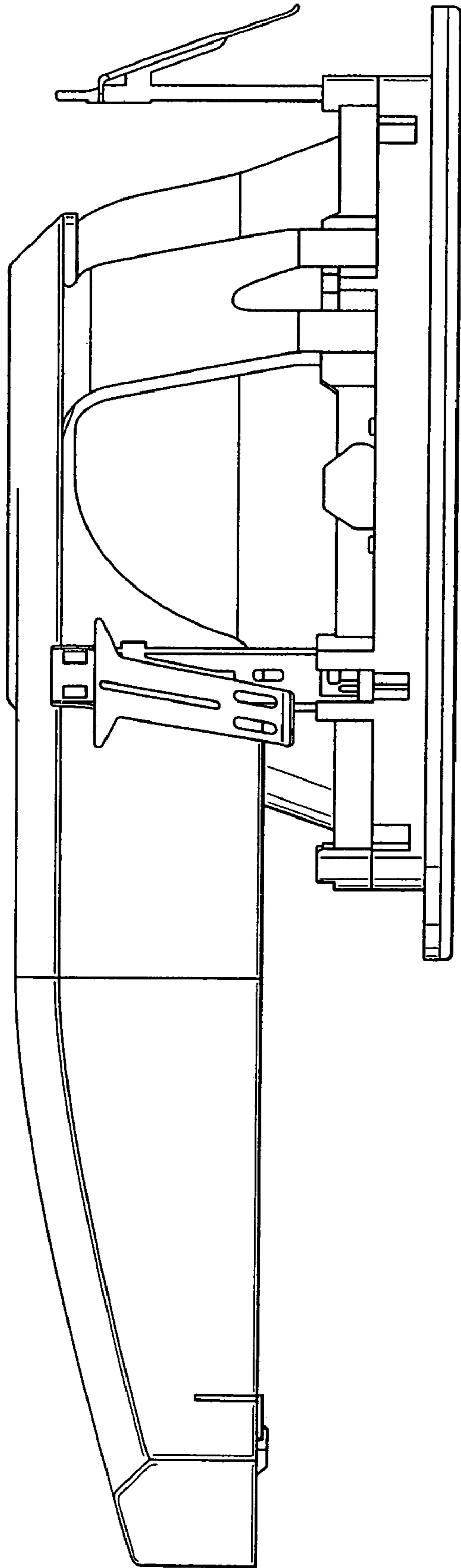


FIG. 6

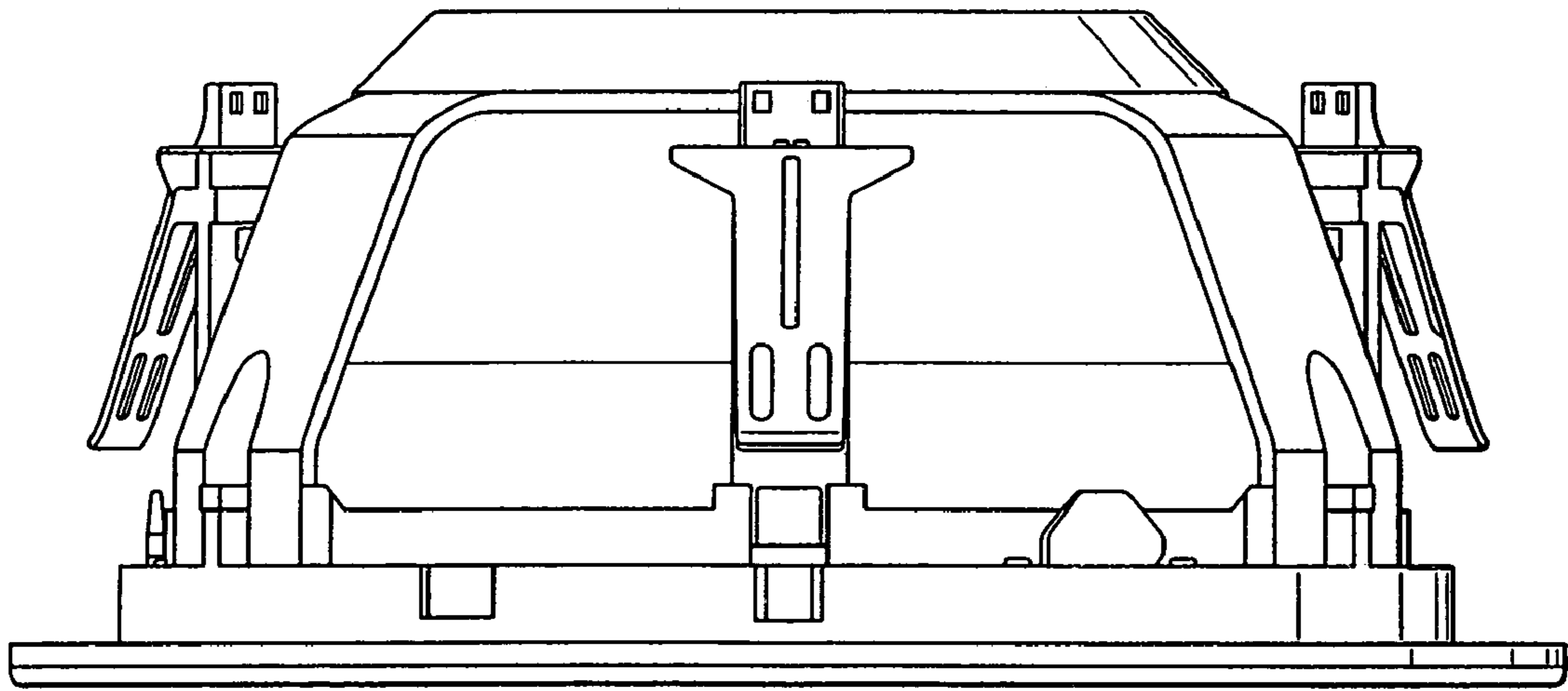


FIG. 7



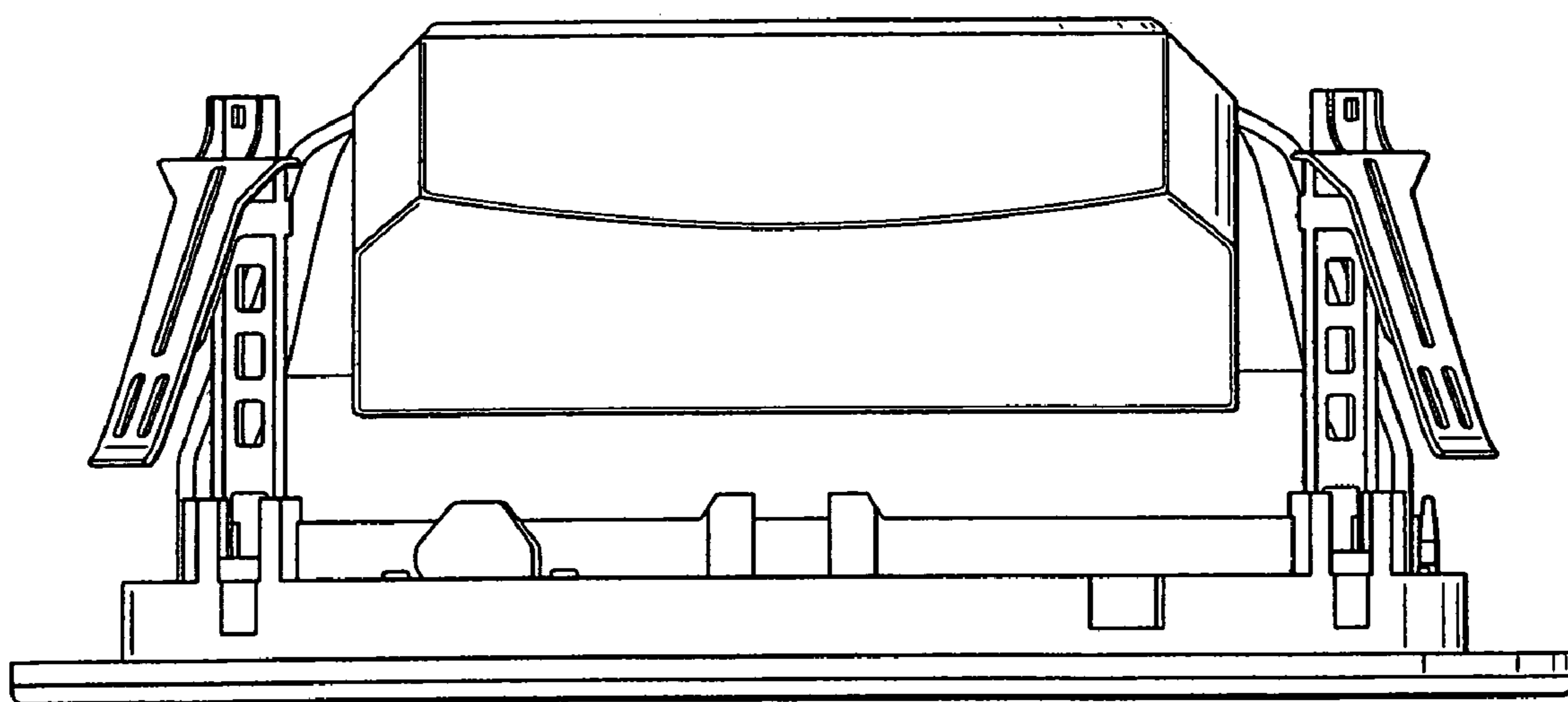


FIG. 8