



US00D545973S

(12) **United States Design Patent**
Powell et al.

(10) **Patent No.:** **US D545,973 S**
(45) **Date of Patent:** **** Jul. 3, 2007**

(54) **LIGHT THERAPY DEVICE**

(75) Inventors: **Steven D. Powell**, Orem, UT (US);
Kent W. Savage, Orem, UT (US);
David Meyers, Kaysville, UT (US)

(73) Assignee: **Leto Holdings, LLC**, Orem, UT (US)

(**) Term: **14 Years**

(21) Appl. No.: **29/210,415**

(22) Filed: **Jul. 30, 2004**

Related U.S. Application Data

(63) Continuation-in-part of application No. 10/692,893, filed on Oct. 24, 2003

(60) Provisional application No. 60/476,574, filed on Jun. 6, 2003, now abandoned.

(51) **LOC (8) Cl.** **28-03**

(52) **U.S. Cl.** **D24/209**

(58) **Field of Classification Search** D24/200,
D24/209, 210; 607/88, 90, 91, 93; 362/19,
362/97

See application file for complete search history.

(56) **References Cited**

U.S. PATENT DOCUMENTS

D204,557 S * 4/1966 Bergmans D24/210
D204,680 S * 5/1966 Konigstein D24/210
4,184,194 A * 1/1980 Shofu 362/97
D282,581 S * 2/1986 Pepall D24/210
D291,597 S * 8/1987 Pepall D24/210
D291,598 S * 8/1987 Elkerbout D24/210
D363,992 S * 11/1995 Vos D24/210

D442,286 S * 5/2001 Dumas D24/210
D480,480 S * 10/2003 Lomberg et al. D24/209
6,875,225 B1 * 4/2005 Pederson et al. 607/88
D510,627 S * 10/2005 Lomberg et al. D24/209
2004/0249423 A1 * 12/2004 Savage 607/88

* cited by examiner

Primary Examiner—Ian Simmons

Assistant Examiner—Melanie Levy

(74) *Attorney, Agent, or Firm*—TraskBritt, PC

(57) **CLAIM**

The ornamental design for a light therapy device, as shown and described.

DESCRIPTION

FIG. 1 is an open perspective view of one implementation of the light therapy device;

FIG. 2 is a closed perspective view of the light therapy device of FIG. 1;

FIG. 3 is a closed plan view of the light therapy device of FIG. 1.

FIG. 4 is a closed side view of one side of the light therapy device of FIG. 1, which is a mirror image of the closed side view of the opposite side;

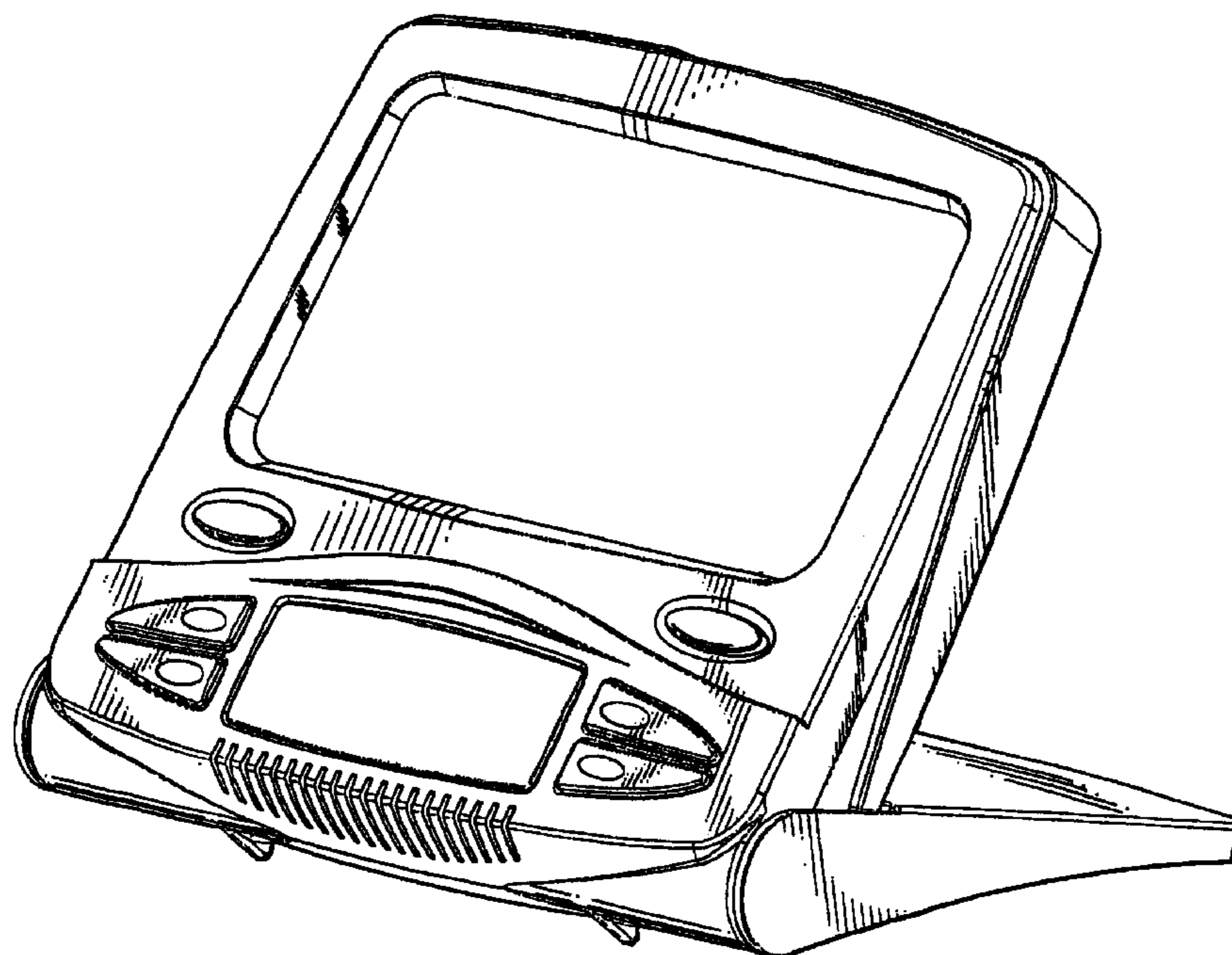
FIG. 5 is a closed front view of the light therapy device of FIG. 1;

FIG. 6 is a closed bottom plan view of the light therapy device of FIG. 1;

FIG. 7 is a closed rear view of the light therapy device of FIG. 1; and,

FIG. 8 is an open side view of the light therapy device of FIG. 1.

1 Claim, 5 Drawing Sheets



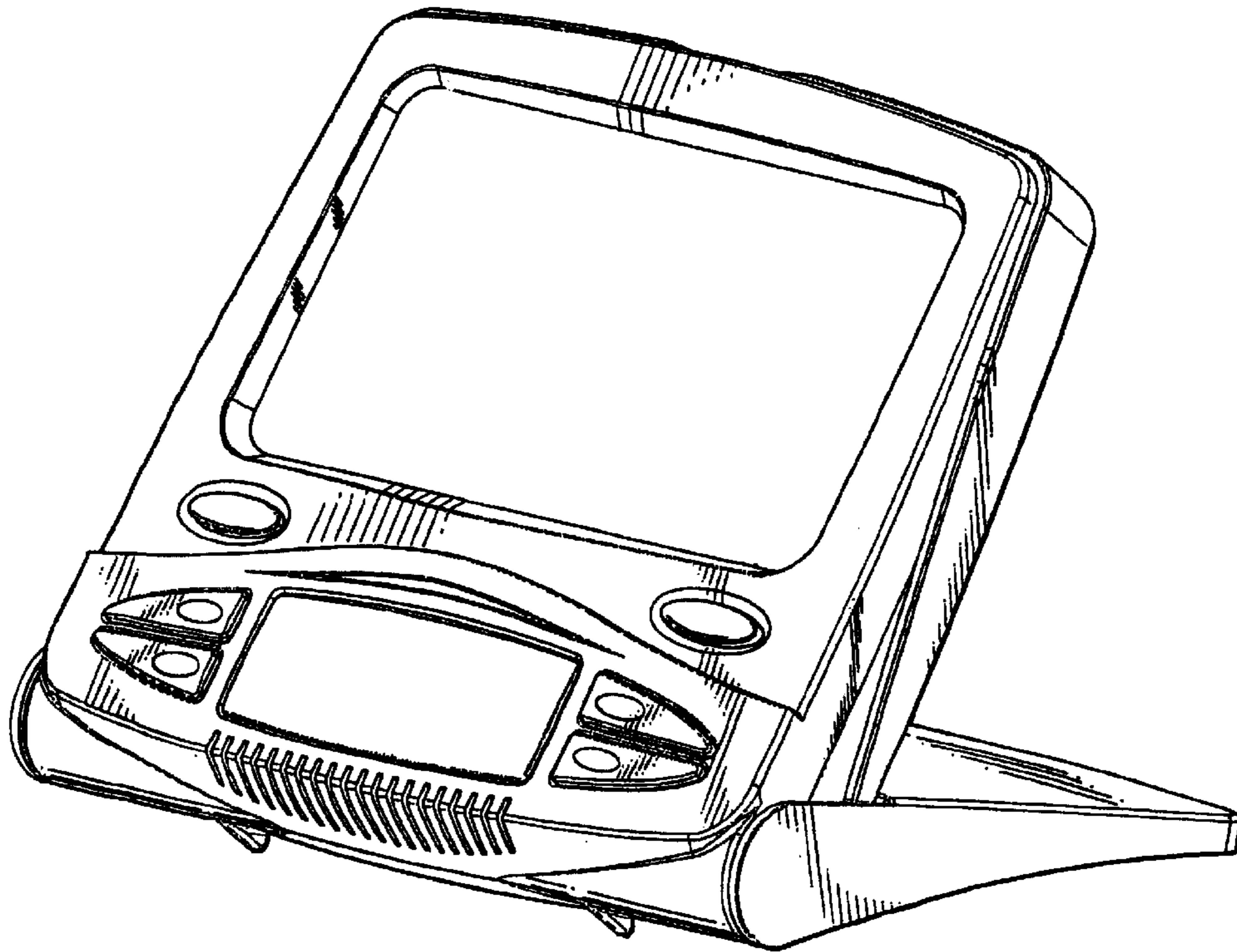


Fig. 1

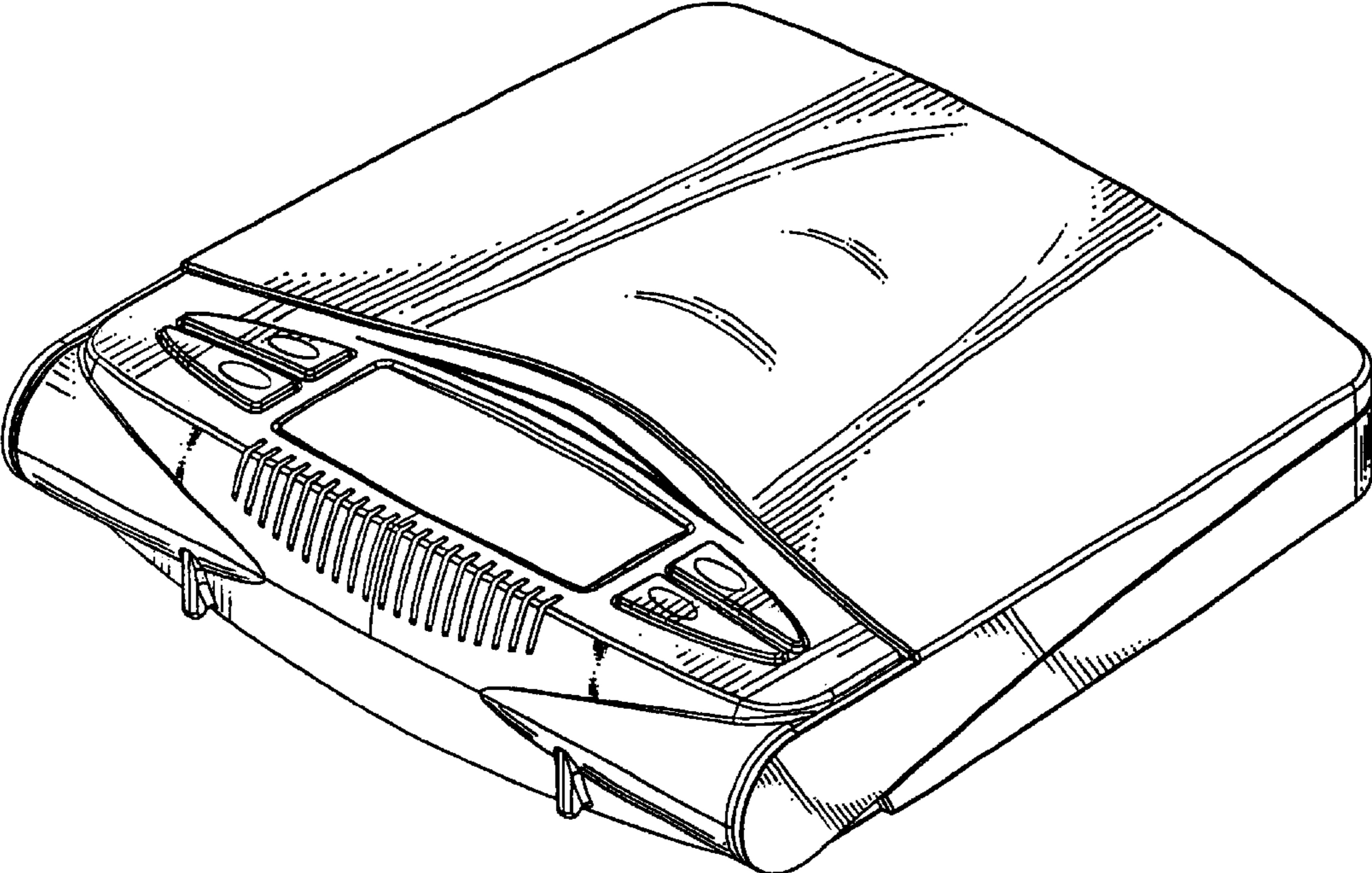


Fig. 2

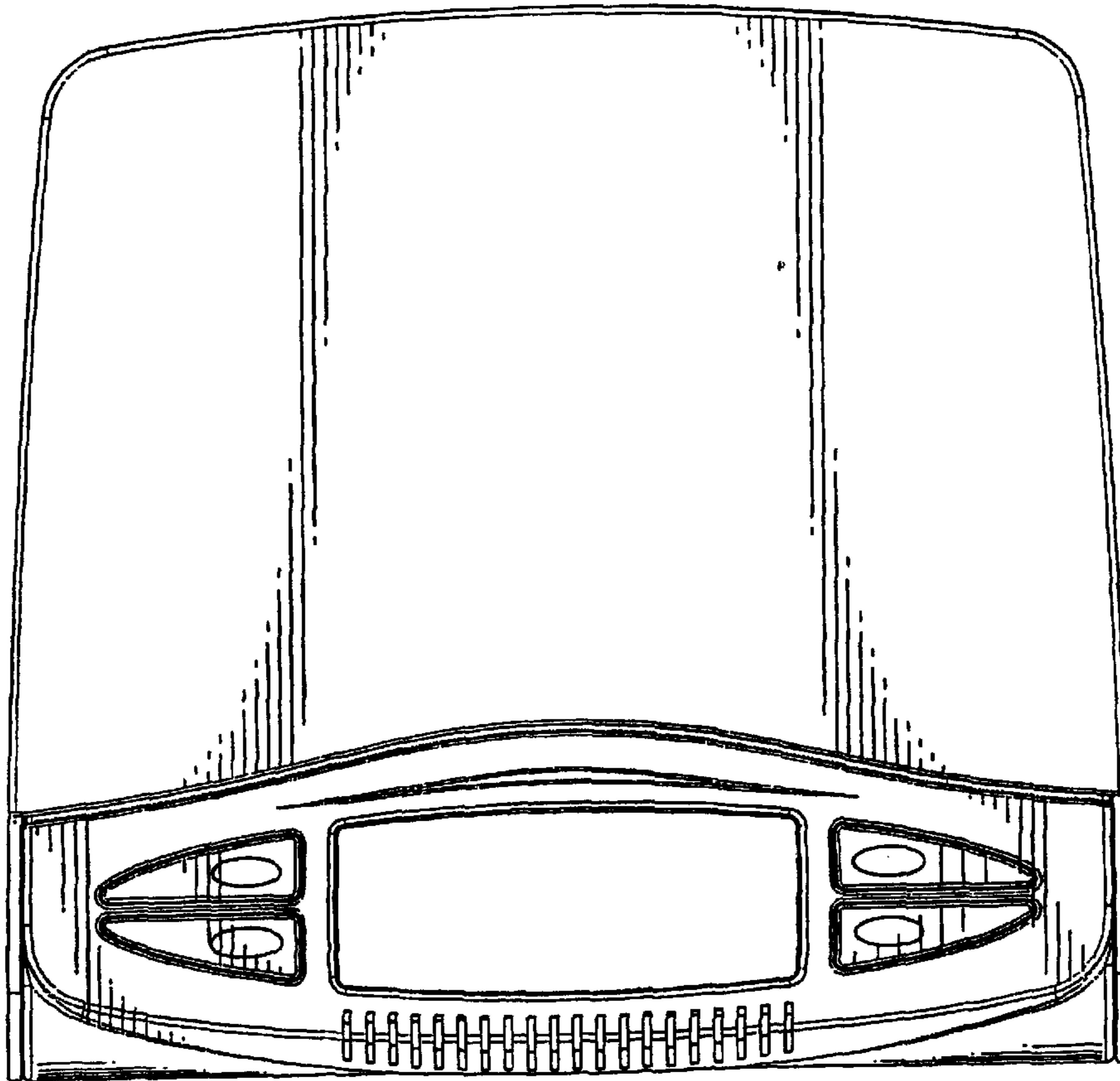


Fig. 3

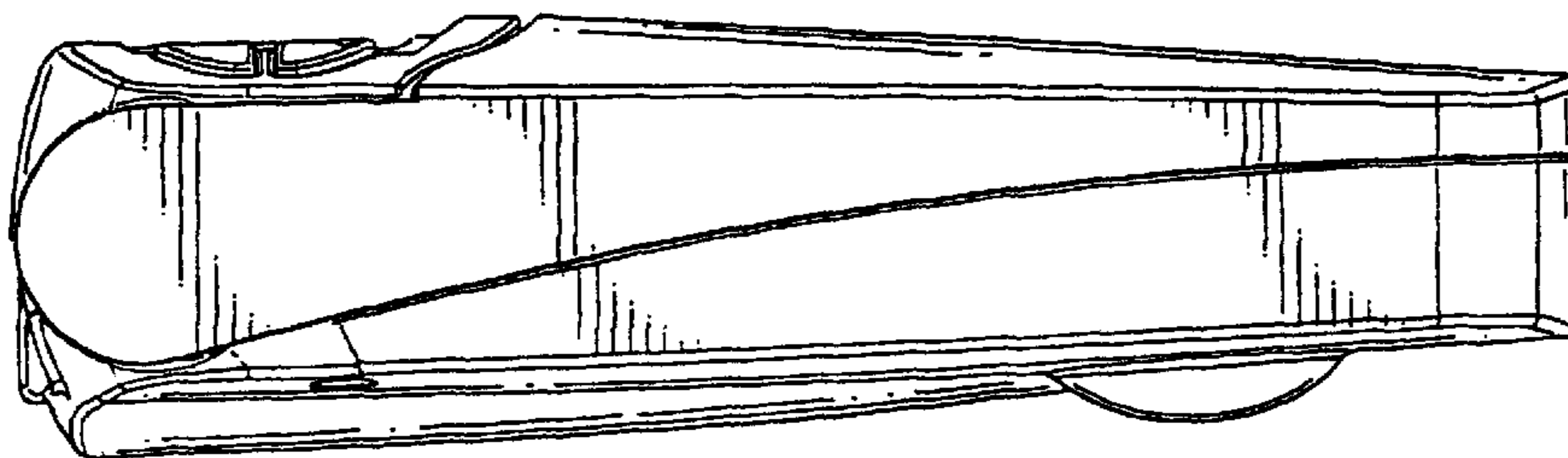


Fig. 4

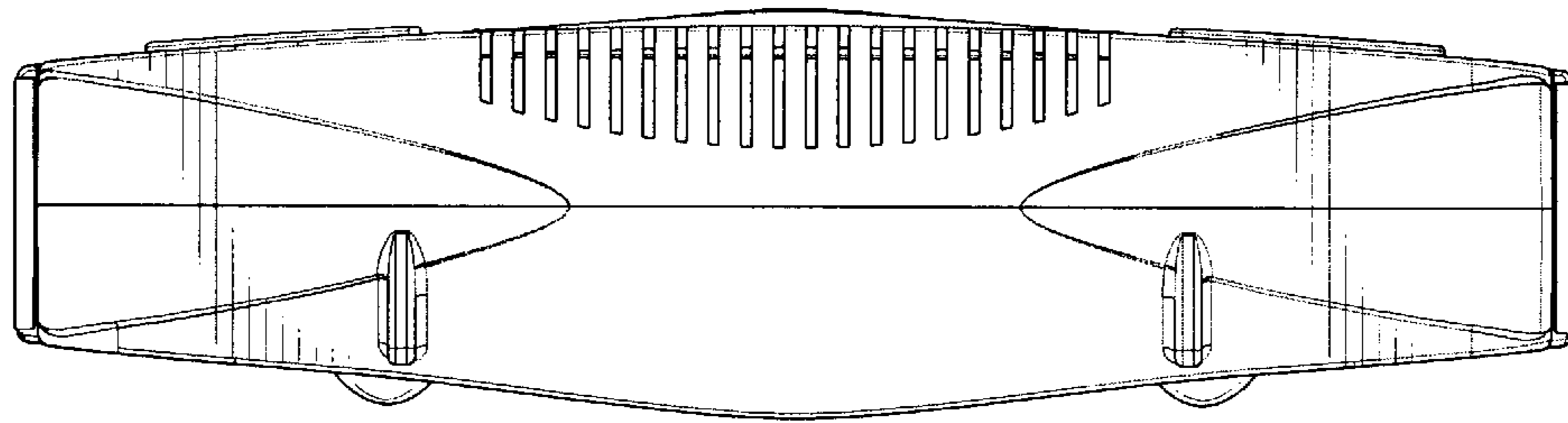


Fig. 5

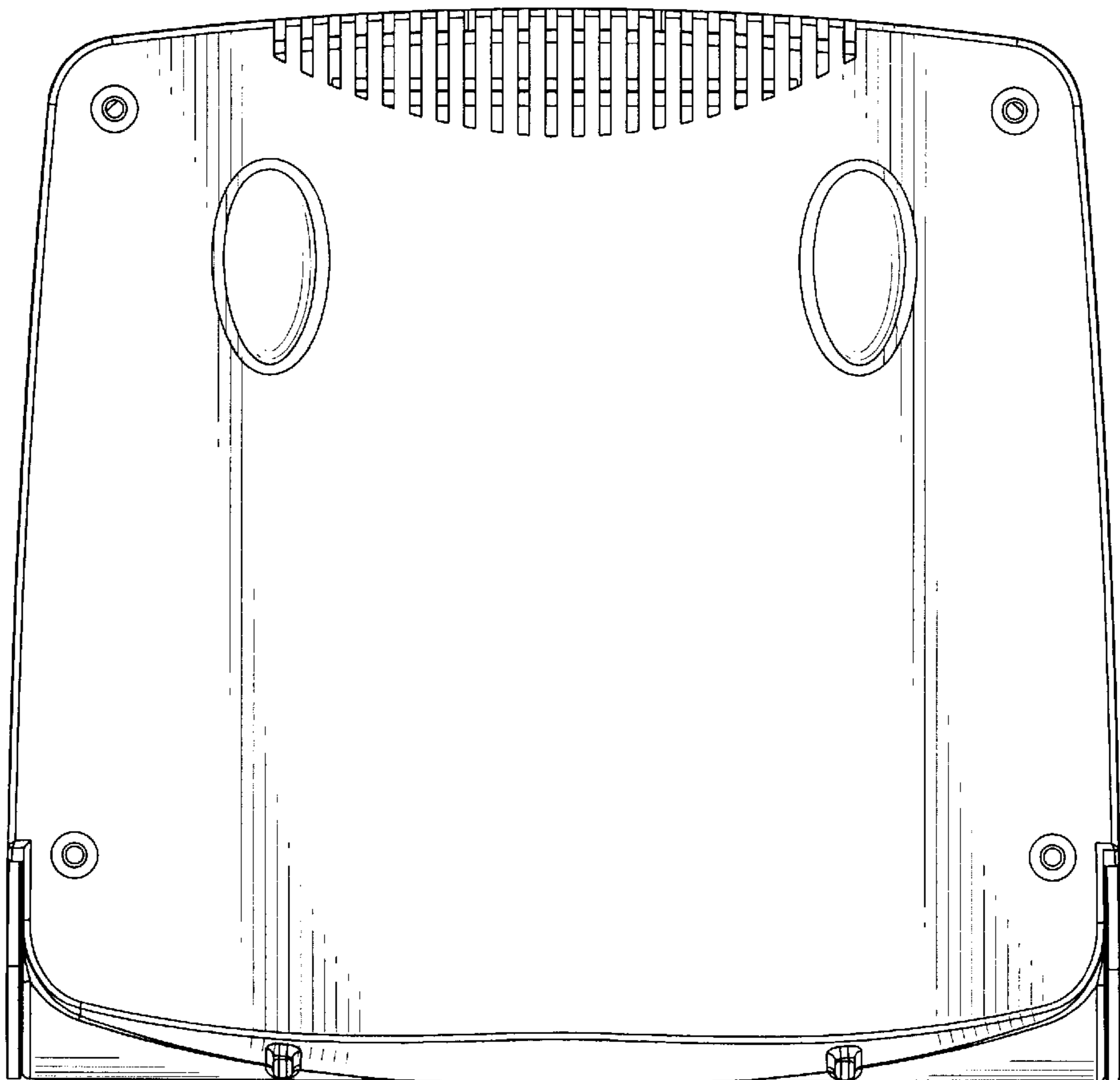


Fig. 6

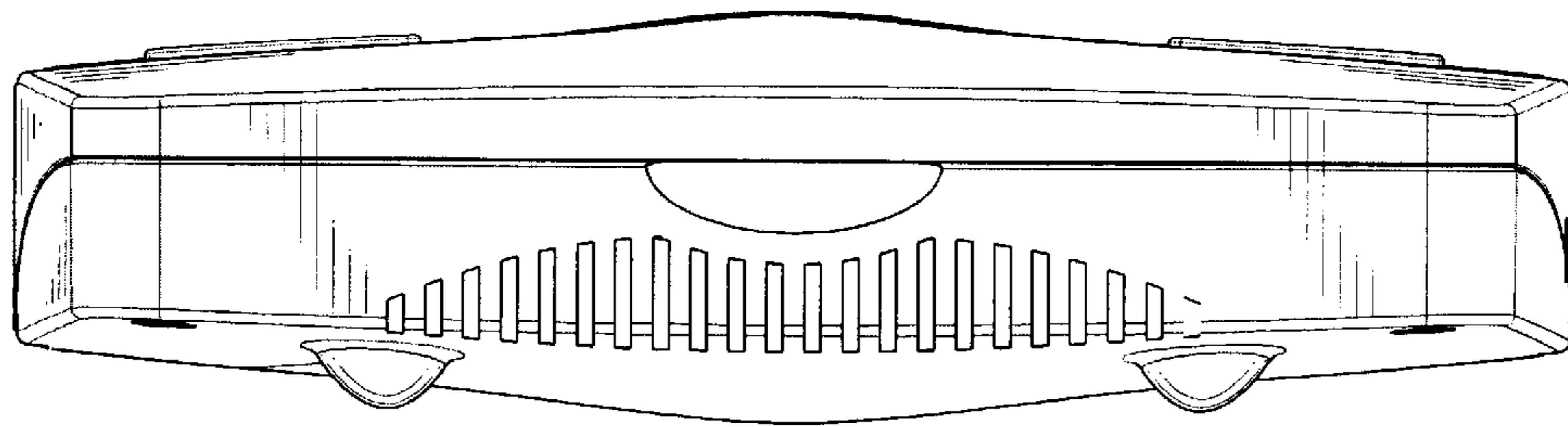


Fig. 7

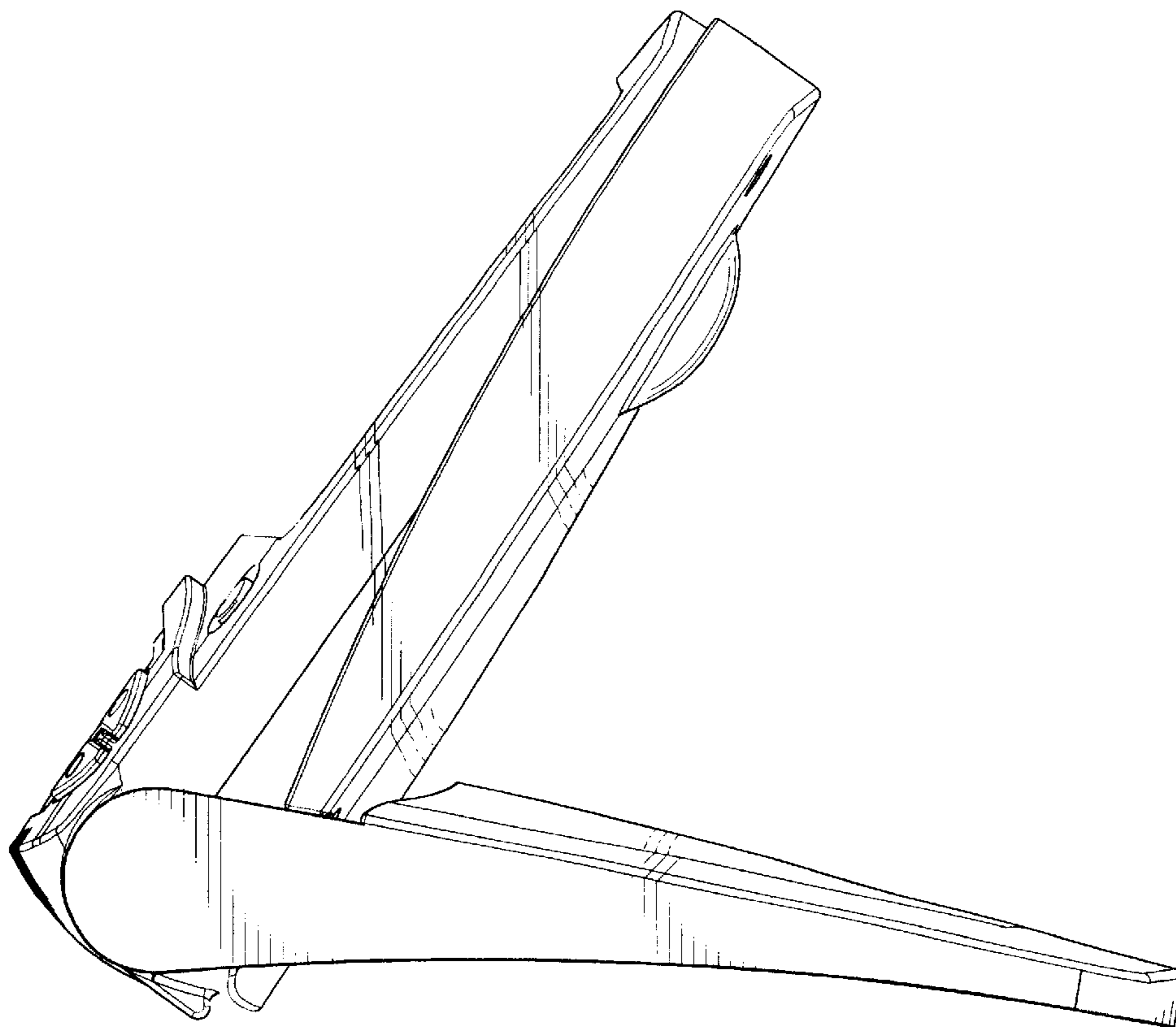


Fig. 8