



US00D545972S

(12) **United States Design Patent**
Wieringa et al.

(10) **Patent No.:** **US D545,972 S**

(45) **Date of Patent:** **** Jul. 3, 2007**

(54) **APPENDAGE WRAP**

(75) Inventors: **Jeffrey L. Wieringa**, West Lakeland, MN (US); **Michael A. Amante**, St. Paul, MN (US); **Maria T. Mann**, Woodbury, MN (US)

(73) Assignee: **3M Innovative Properties Company**, St. Paul, MN (US)

(**) Term: **14 Years**

(21) Appl. No.: **29/246,776**

(22) Filed: **May 9, 2006**

(51) **LOC (8) Cl.** **24-01**

(52) **U.S. Cl.** **D24/190**

(58) **Field of Classification Search** D24/190-3;
602/4-6, 20, 27, 61-2, 79; 128/865-6, 878,
128/876; 604/20-21; 24/442; D29/113;
473/62; D6/601

See application file for complete search history.

(56) **References Cited**

U.S. PATENT DOCUMENTS

D192,777 S * 5/1962 Pahas D24/192

(Continued)

FOREIGN PATENT DOCUMENTS

EP 0 329 815 8/1989

(Continued)

Primary Examiner—Lou Zarfaz

Assistant Examiner—Susan E Krakower

(57) **CLAIM**

The ornamental design for an appendage wrap, as shown and described.

DESCRIPTION

FIG. 1 is a perspective view of a first embodiment thereof;

FIG. 2 is a top view thereof;

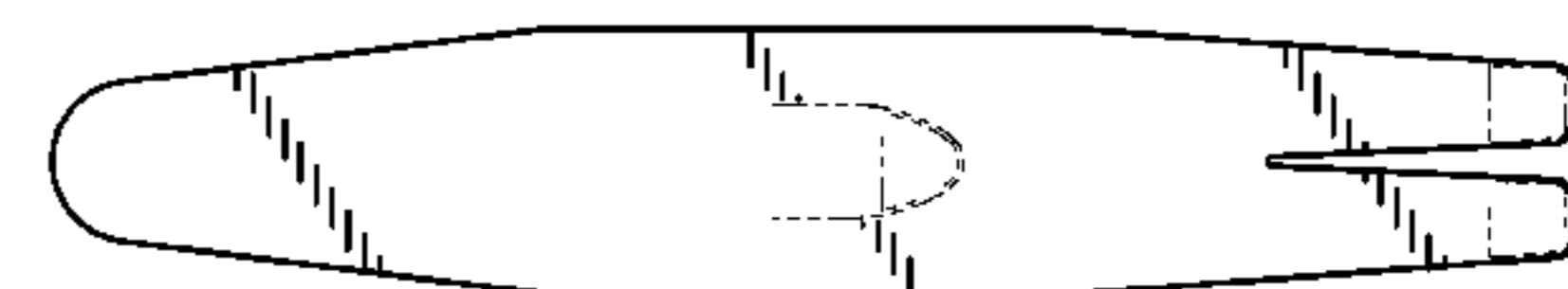
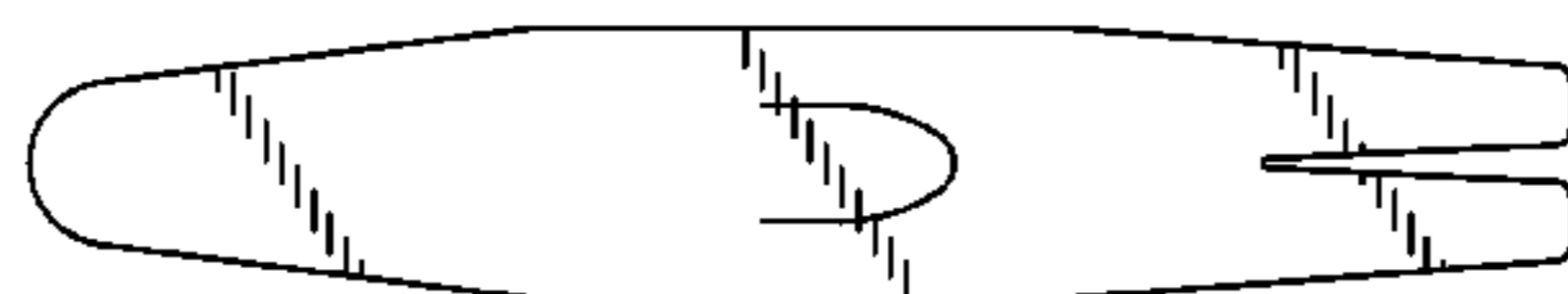
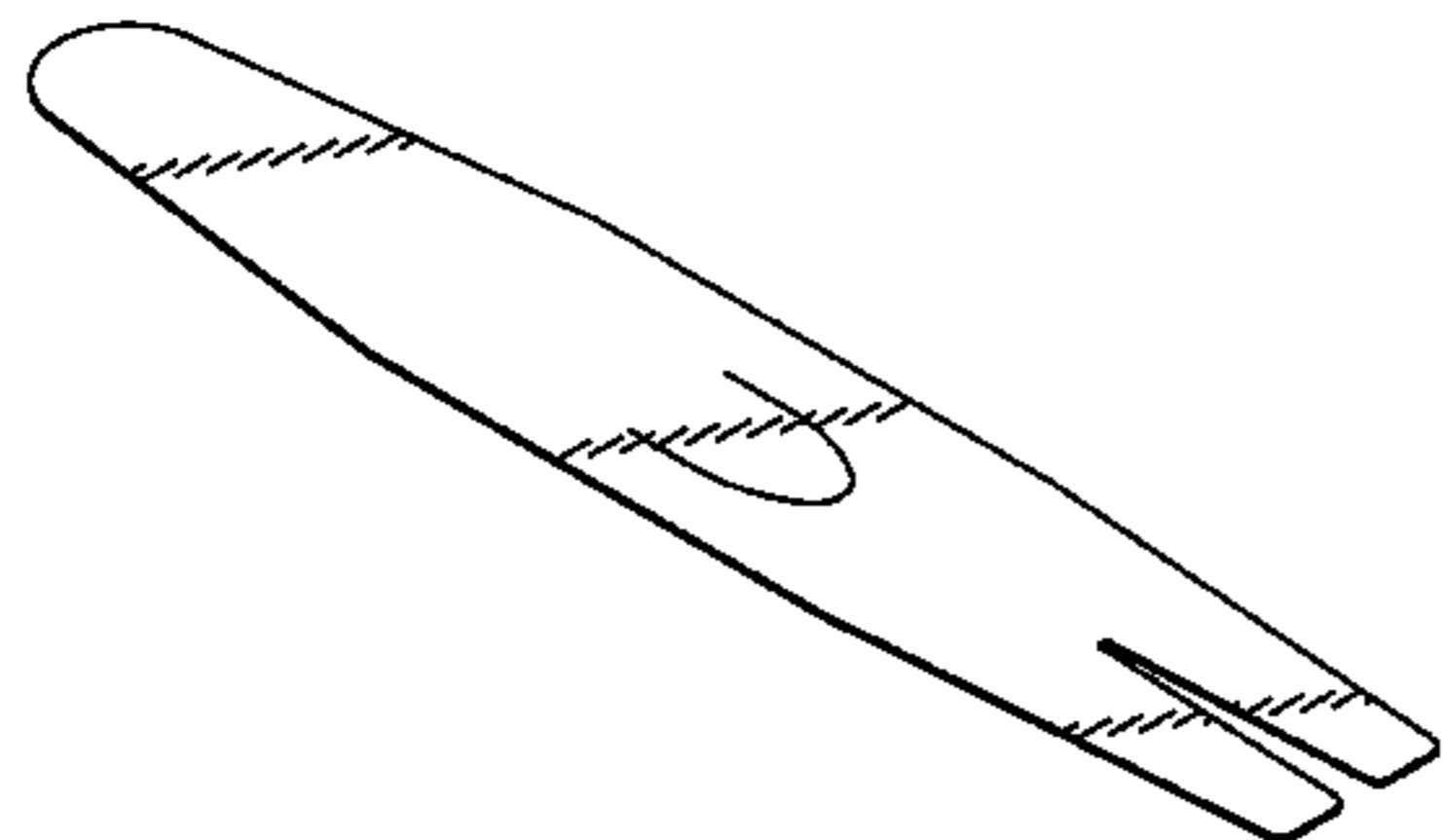


FIG. 3 is a bottom view thereof;

FIG. 4 is a side view thereof (the view from the other side is a mirror image);

FIG. 5 is an end view thereof, as taken from the left in FIG. 2; and

FIG. 6 is an end view thereof, as taken from the right in FIG. 2.

FIG. 7 is a perspective view of a second embodiment thereof;

FIG. 8 is a top view of the embodiment of FIG. 7;

FIG. 9 is a bottom view of the embodiment of FIG. 7;

FIG. 10 is a side view of the embodiment of FIG. 7 (the view from the other side is a mirror image);

FIG. 11 is an end view of the embodiment of FIG. 7, as taken from the left in FIG. 8;

FIG. 12 is an end view of the embodiment of FIG. 7, as taken from the right in FIG. 8;

FIG. 13 is a perspective view of a third embodiment thereof;

FIG. 14 is a top view of the embodiment of FIG. 13;

FIG. 15 is a bottom view of the embodiment of FIG. 13;

FIG. 16 is a side view of the embodiment of FIG. 13 (the view from the other side is a mirror image);

FIG. 17 is an end view of the embodiment of FIG. 13, as taken from the left in FIG. 14;

FIG. 18 is an end view of the embodiment of FIG. 13, as taken from the right in FIG. 14;

FIG. 19 is a perspective view of a fourth embodiment thereof;

FIG. 20 is a top view of the embodiment of FIG. 19; and,

FIG. 21 is a bottom view of the embodiment of FIG. 19.

The dashed lines in FIGS. 9-21 do not form a part of the claimed design for their respective embodiments.

The broken line showing of an attachment section in FIGS. 9-18 is included for the purpose of illustrating environmental structure and forms no part of the claimed design.

1 Claim, 4 Drawing Sheets

US D545,972 S

Page 2

U.S. PATENT DOCUMENTS

3,245,406 A * 4/1966 Chardack 602/79
3,927,443 A * 12/1975 Brumlik 24/449
3,942,525 A 3/1976 Dragan
D254,214 S * 2/1980 Leary D24/190
D278,657 S * 4/1985 Nakao et al. D24/190
5,139,476 A 8/1992 Peters
5,139,477 A 8/1992 Peters
D403,424 S * 12/1998 Taylor et al. D24/190
D403,779 S * 1/1999 Davis et al. D24/206
D428,153 S * 7/2000 Davis D24/190
6,508,776 B2 1/2003 Chiang et al.
6,726,641 B2 4/2004 Chiang et al.

D513,324 S * 12/2005 Cook et al. D24/192
2004/0134501 A1 7/2004 Hargis et al.
2005/0038367 A1 2/2005 McCormick et al.

FOREIGN PATENT DOCUMENTS

JP 10-286275 10/1998
JP 2001-25522 1/2001
JP 2001-129007 5/2001
JP 2002-65711 3/2002
WO WO 94/00082 1/1994

* cited by examiner

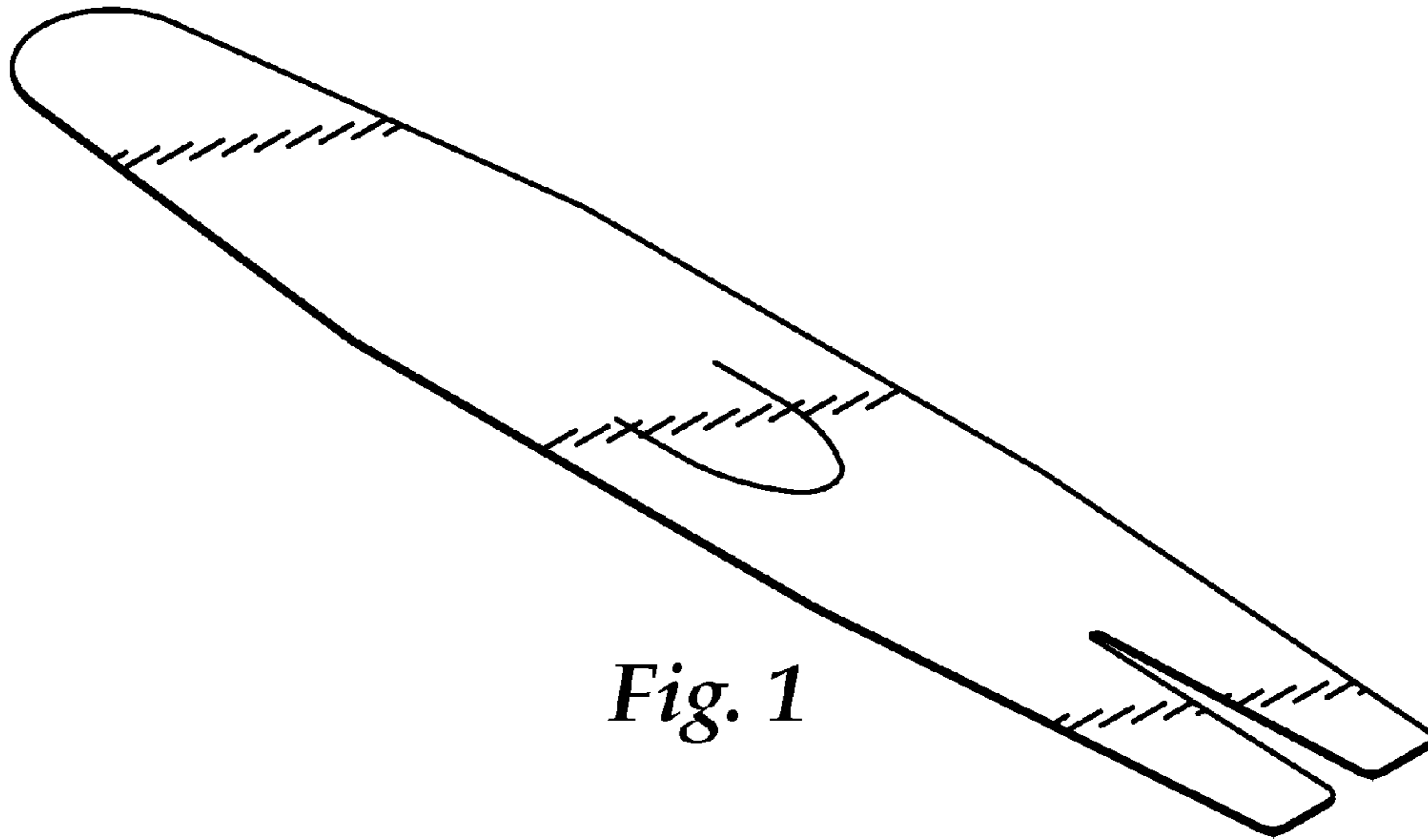


Fig. 1

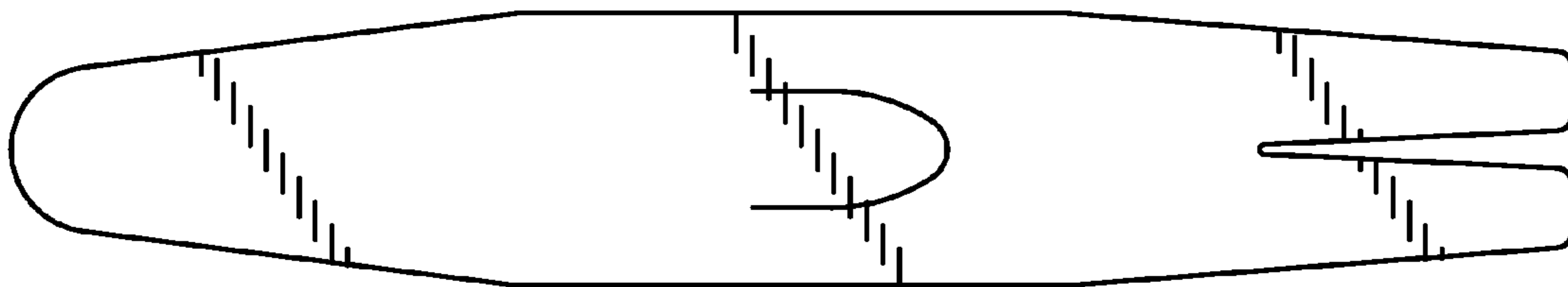


Fig. 2

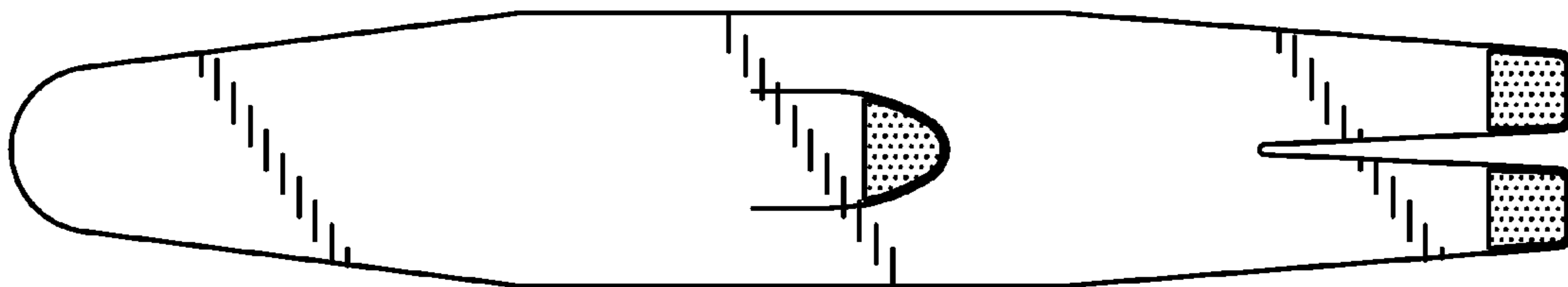


Fig. 3



Fig. 4



Fig. 5



Fig. 6

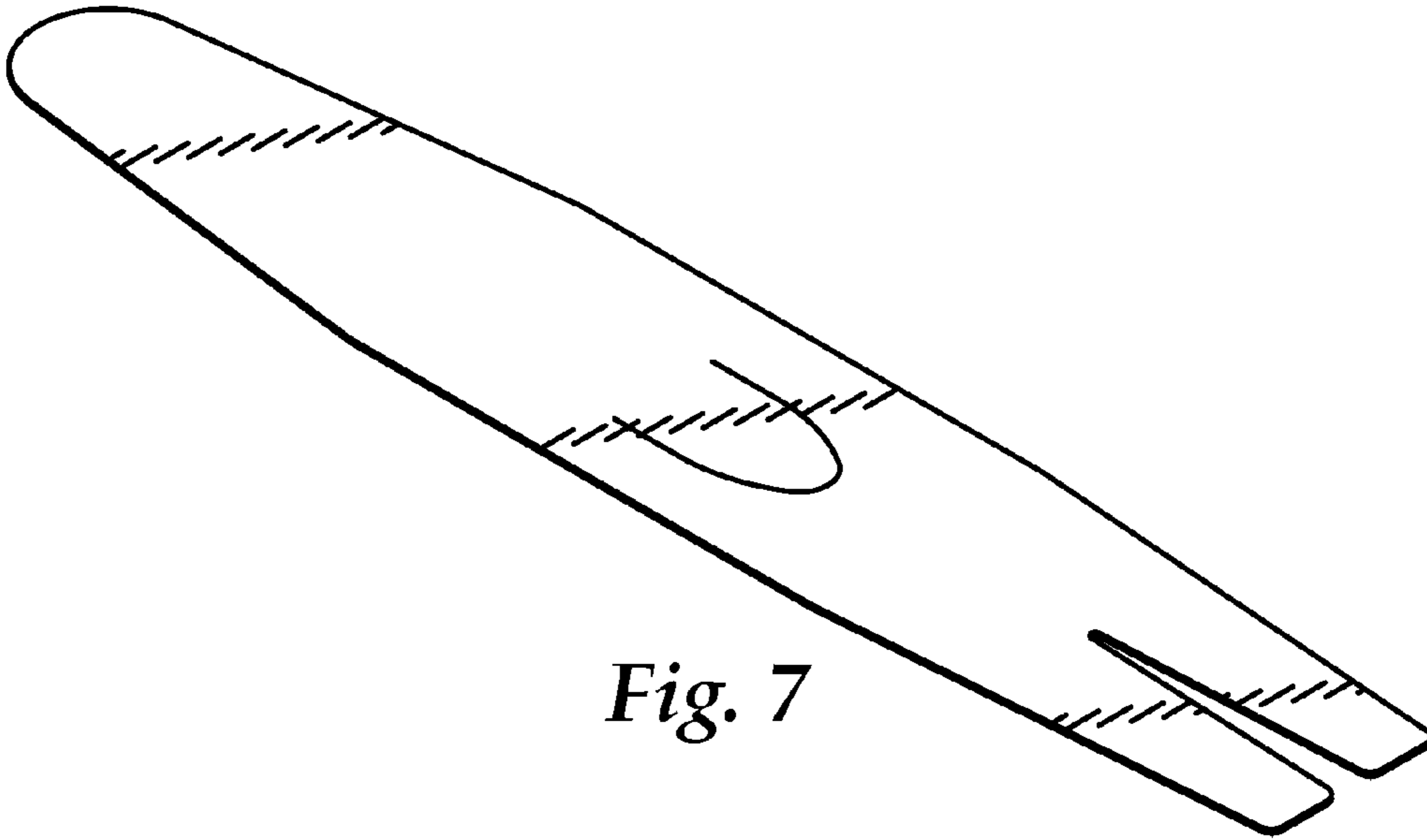


Fig. 7

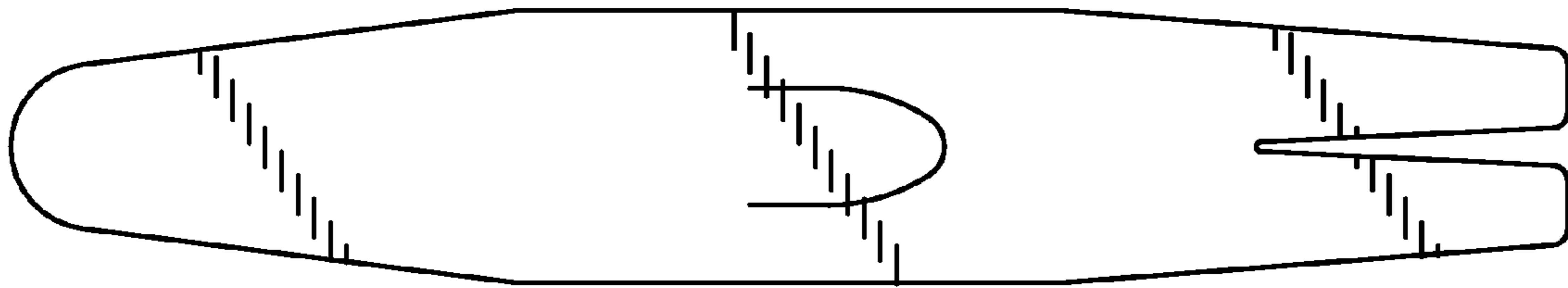


Fig. 8

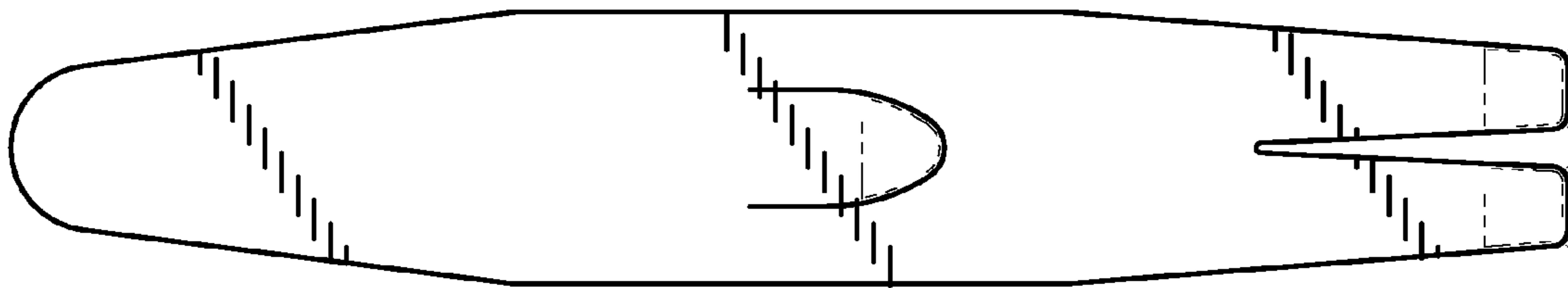


Fig. 9



Fig. 10

Fig. 11

Fig. 12

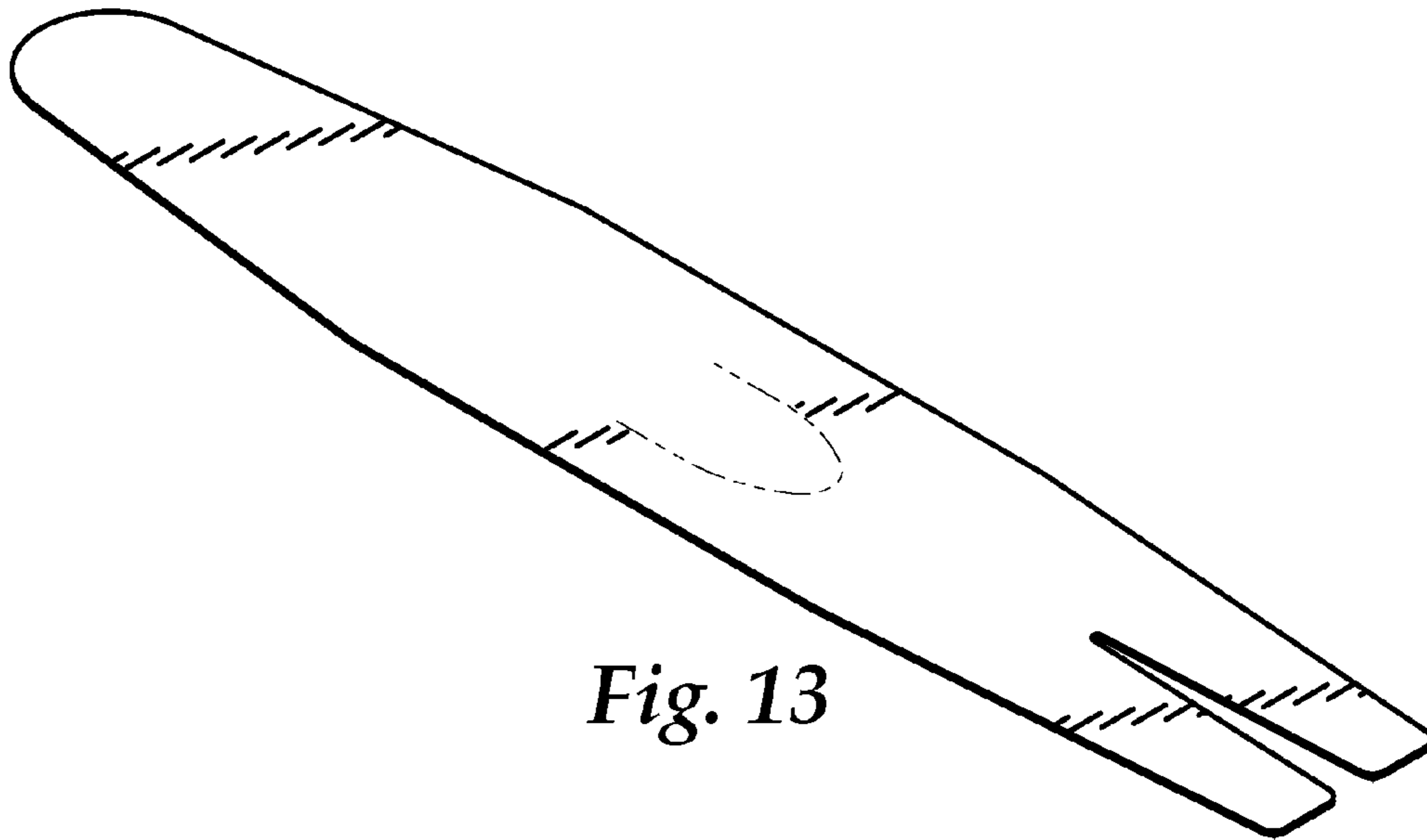


Fig. 13

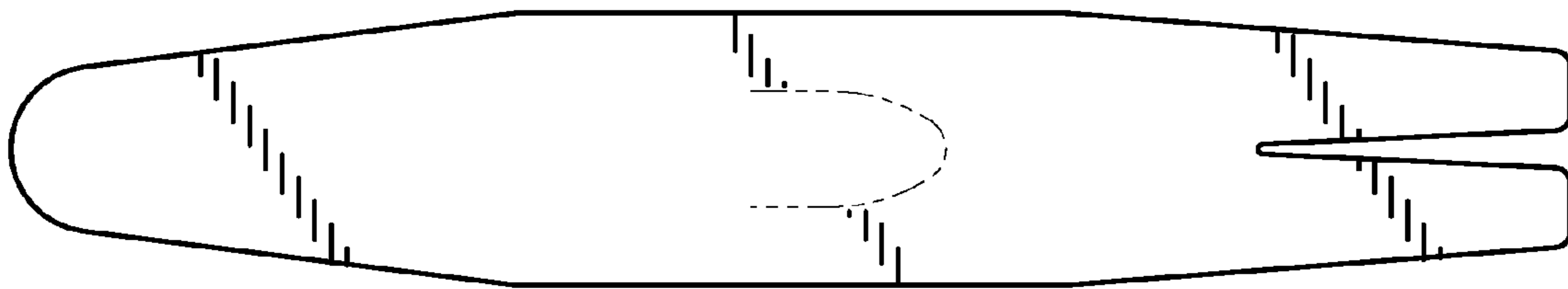


Fig. 14

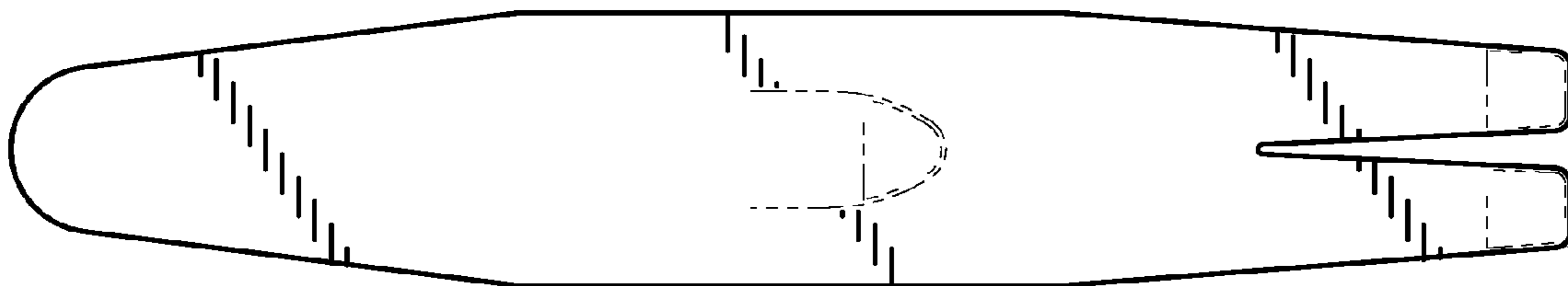


Fig. 15



Fig. 16



Fig. 17



Fig. 18

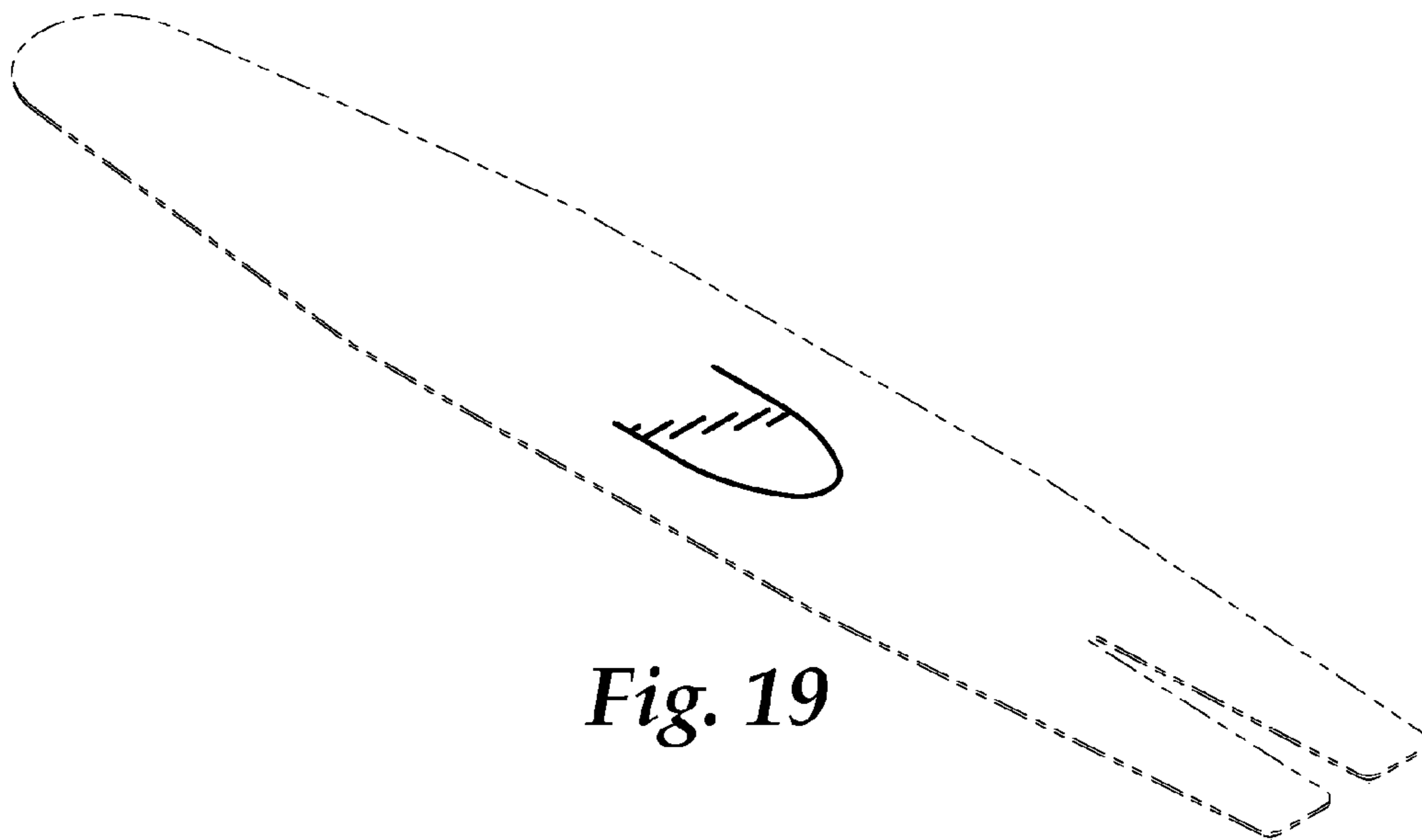


Fig. 19

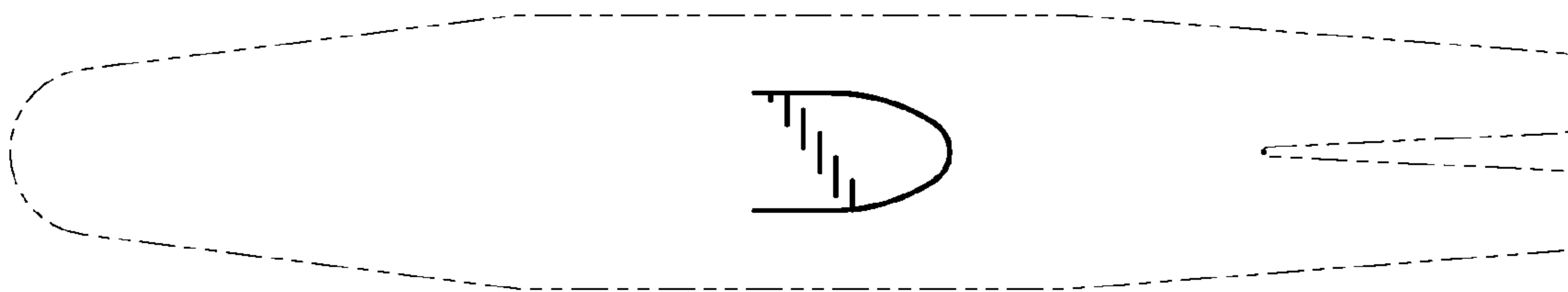


Fig. 20

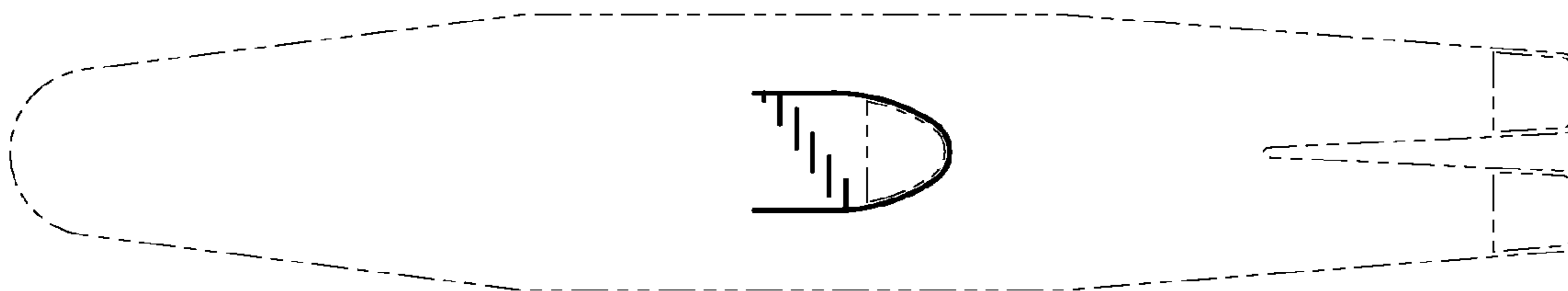


Fig. 21