

US00D545968S

(12) **United States Design Patent**
Sullivan

(10) **Patent No.:** **US D545,968 S**

(45) **Date of Patent:** **** Jul. 3, 2007**

(54) **PEDIATRIC DENTAL X-RAY FILM HOLDER**

(76) Inventor: **Deborah C. Sullivan**, 1200 Hwy. 287,
Ste. 102, Mansfield, TX (US) 76063

(**) Term: **14 Years**

(21) Appl. No.: **29/191,565**

(22) Filed: **Oct. 10, 2003**

(51) **LOC (8) Cl.** **24-02**

(52) **U.S. Cl.** **D24/161**

(58) **Field of Classification Search** D24/174,
D24/152, 161; D21/598, 615; D28/67; 378/208,
378/168; 433/163, 114, 140, 141
See application file for complete search history.

(56) **References Cited**

U.S. PATENT DOCUMENTS

3,003,062	A	10/1961	Updegrave	
3,444,371	A	* 5/1969	Via	378/168
3,864,576	A	2/1975	Stevenson	
D276,648	S	* 12/1984	Stevenson	D24/161
D282,872	S	* 3/1986	Hayes et al.	D24/161
4,592,084	A	5/1986	McAuslan	
4,593,401	A	6/1986	Colbert	
4,598,416	A	7/1986	Donato	
5,001,738	A	3/1991	Brooks	
5,022,065	A	* 6/1991	Wijkstrom	378/168
5,044,009	A	8/1991	Klauser	
5,256,982	A	10/1993	Willis	
5,289,522	A	2/1994	Kanbar et al.	
5,422,927	A	6/1995	Schmitz	
5,473,662	A	12/1995	Barish	
5,625,666	A	4/1997	Willis	
5,752,123	A	5/1998	Cheng	
5,799,058	A	8/1998	Willis et al.	

D406,892	S	* 3/1999	Warren	D24/161
6,041,102	A	3/2000	Francis	
6,062,730	A	5/2000	Sims et al.	
6,102,566	A	8/2000	Willis	
6,190,042	B1	2/2001	Dove et al.	
6,203,195	B1	3/2001	Willis	
6,343,875	B1	2/2002	Eppinger et al.	
D456,566	S	* 4/2002	Chodorow	D28/67
6,424,694	B1	7/2002	Molteni et al.	
6,540,399	B1	4/2003	Eppinger et al.	

* cited by examiner

Primary Examiner—Ian Simmons

Assistant Examiner—Daniel Yu

(74) *Attorney, Agent, or Firm*—Crutsinger & Booth, LLC

(57) **CLAIM**

The ornamental design for pediatric dental x-ray film holder, substantially as shown and described.

DESCRIPTION

FIG. 1 is a perspective view showing the front and left side of a pediatric dental x-ray film holder, showing my new design;

FIG. 2 is a perspective view showing the front and right side thereof;

FIG. 3 is a top plan view thereof;

FIG. 4 is a rear elevational view thereof;

FIG. 5 is a bottom plan view thereof;

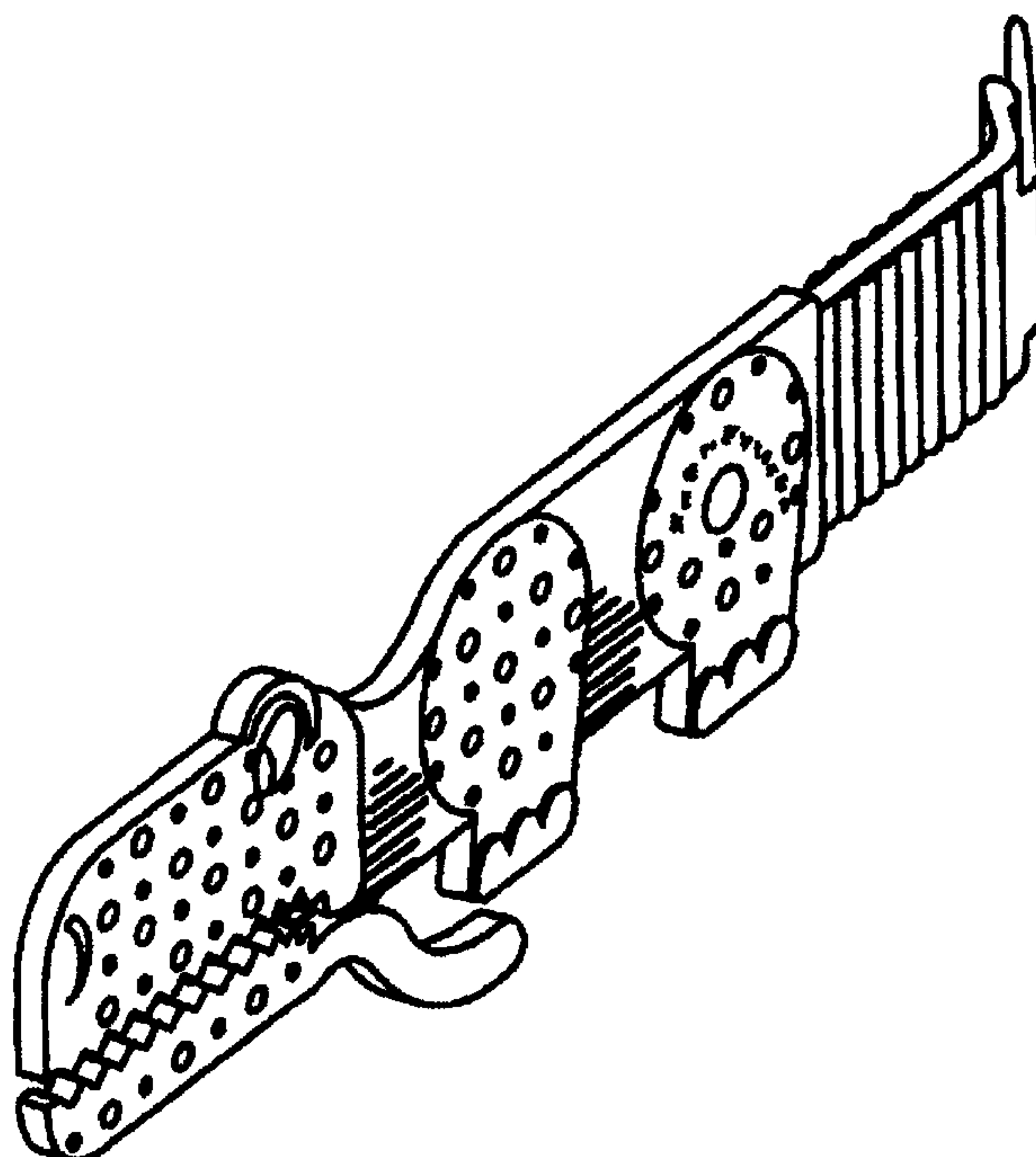
FIG. 6 is a front elevational view thereof;

FIG. 7 is a left side elevational view thereof; and,

FIG. 8 is a right side elevational view thereof.

The broken line showing is for illustrative purposes only and forms no part of the claimed design.

1 Claim, 4 Drawing Sheets



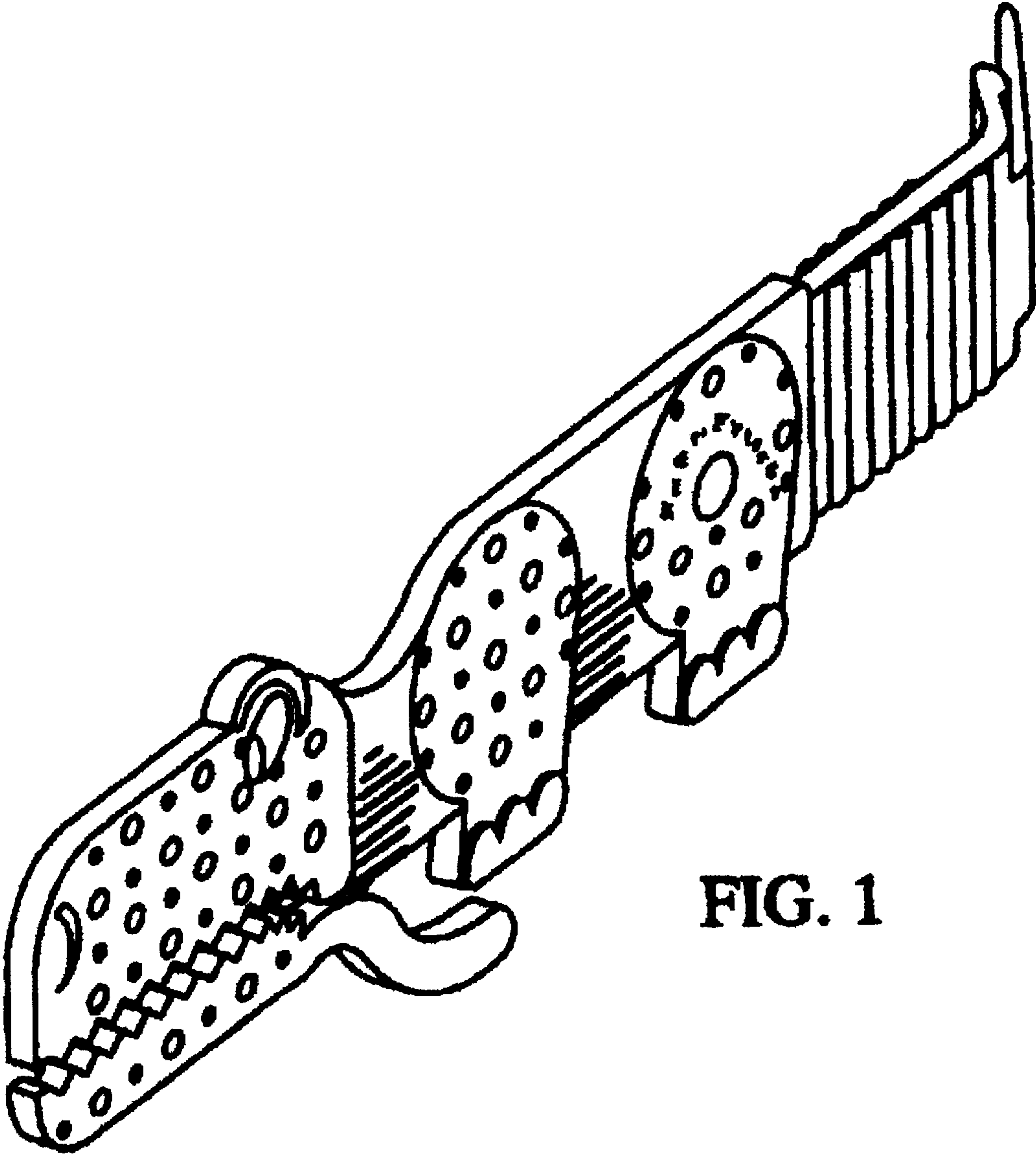


FIG. 1

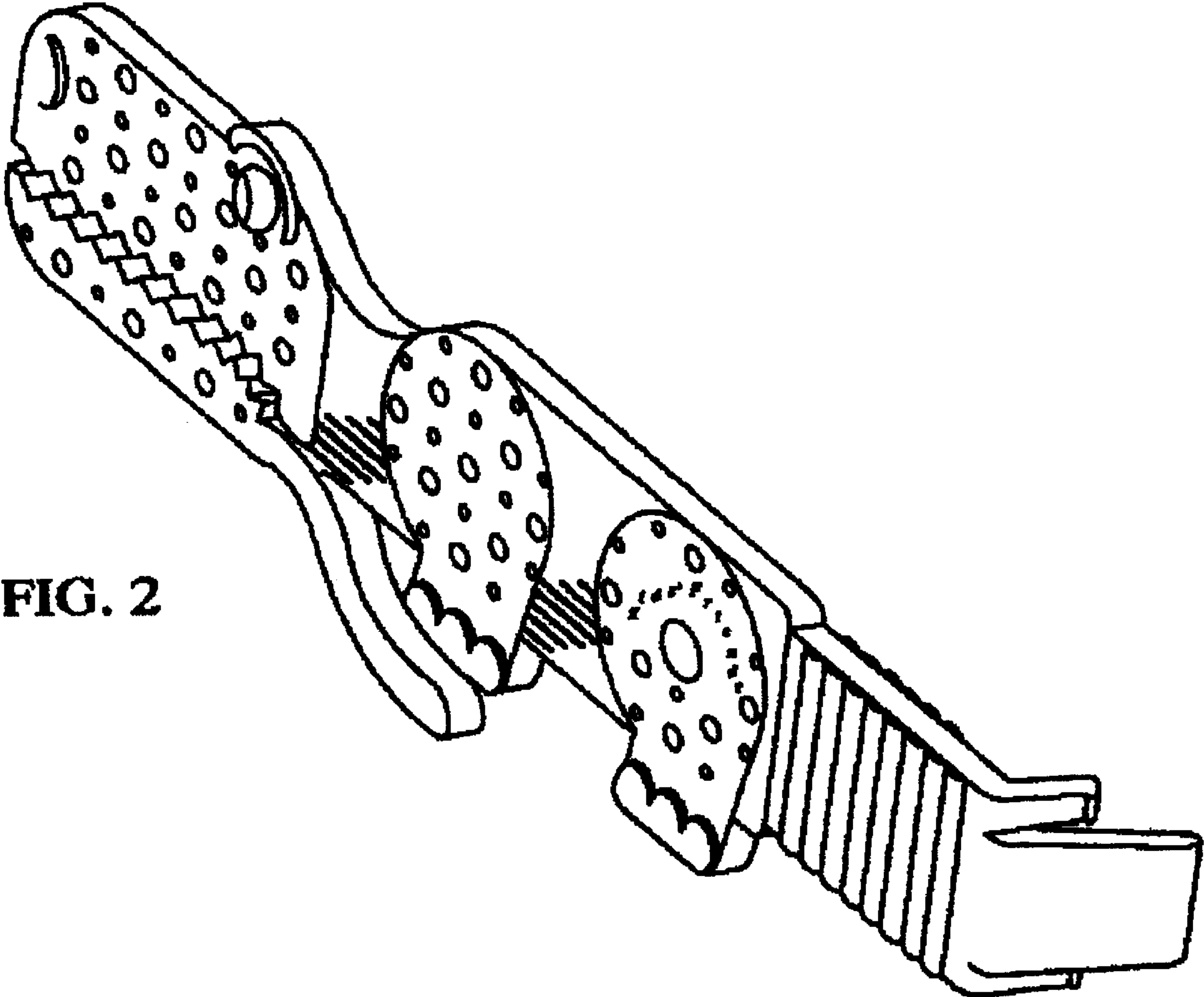


FIG. 2

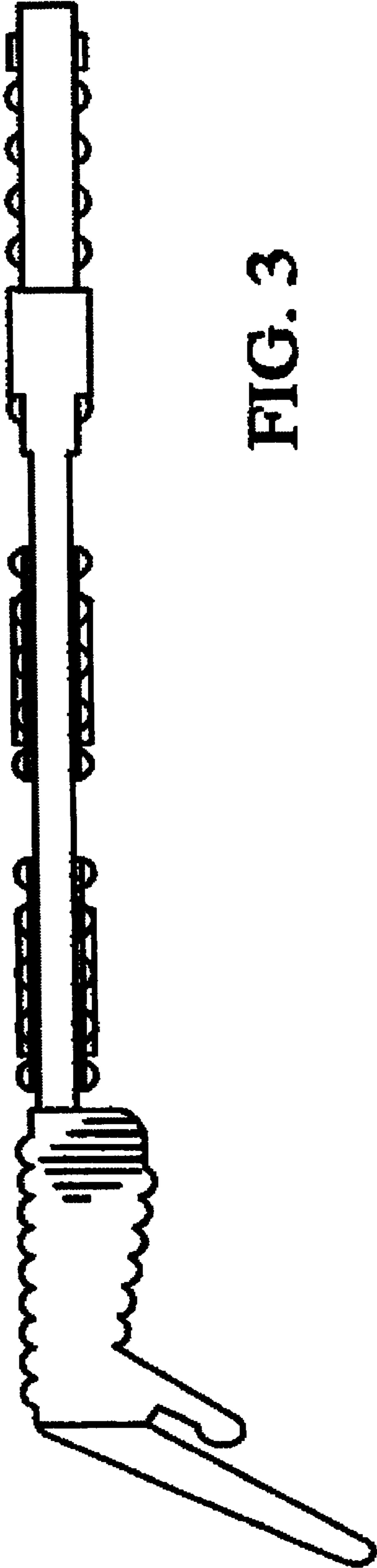


FIG. 3

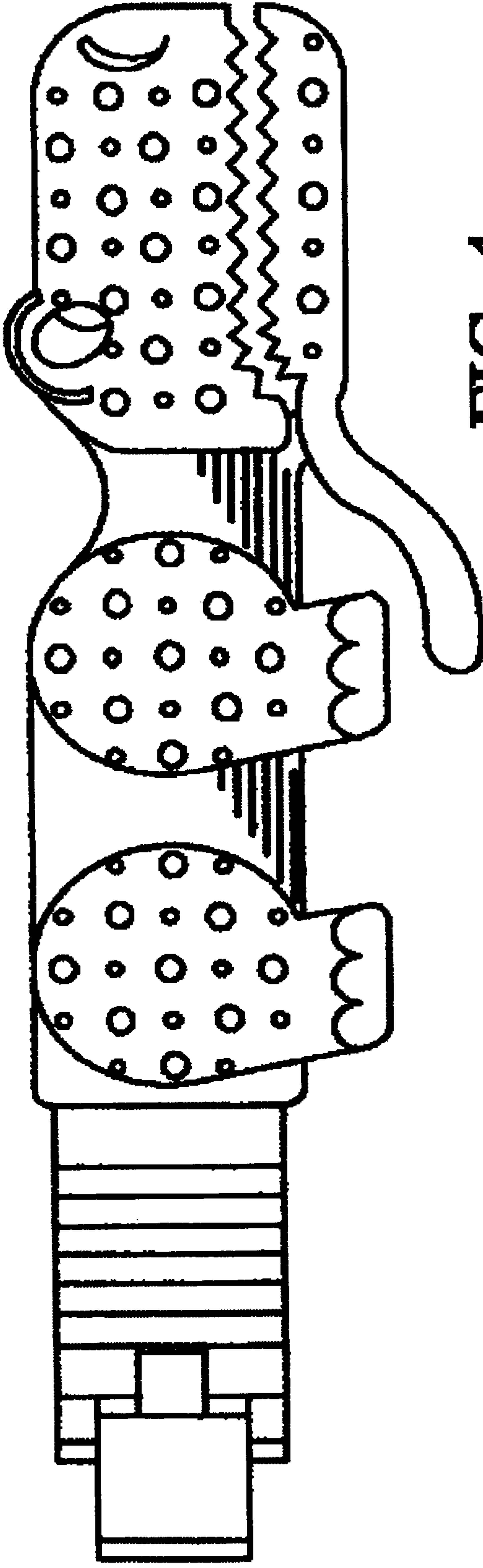


FIG. 4

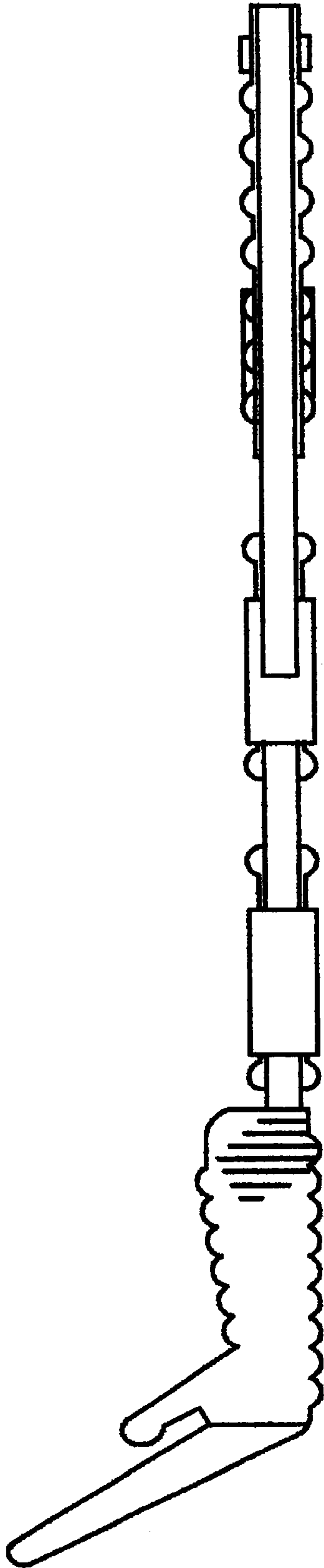


FIG. 5

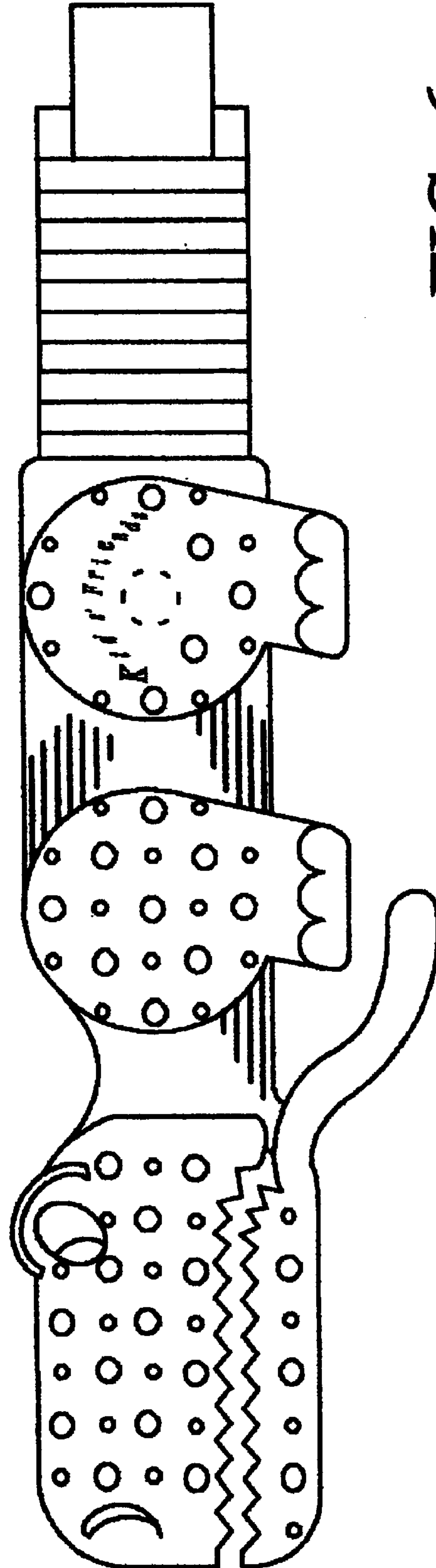


FIG. 6