



US00D545967S

(12) **United States Design Patent** (10) **Patent No.:** **US D545,967 S**
Joyce et al. (45) **Date of Patent:** **** Jul. 3, 2007**

(54) **FLUID DELIVERY APPARATUS**

(75) Inventors: **Thomas P. Joyce**, Wilkins Township, PA (US); **Gerald W. Callan**, Cranberry Township, PA (US); **Karen M. Zelenski**, Seven Fields, PA (US); **James Albert Dedig**, Pittsburgh, PA (US); **Michael A. Spohn**, Butler, PA (US); **Ralph H. Schriver**, Tarentum, PA (US)

D426,892 S * 6/2000 Beale et al. D24/160
 2005/0148867 A1 * 7/2005 Neer 600/431
 2006/0079768 A1 * 4/2006 Small et al. 600/432
 2006/0106347 A1 * 5/2006 Fago et al. 604/154

* cited by examiner

Primary Examiner—Ian Simmons
Assistant Examiner—Christopher Lee
 (74) *Attorney, Agent, or Firm*—Christian Schuster; Gregory L. Bradley

(73) Assignee: **Medrad, Inc.**, Indianola, PA (US)

(57) **CLAIM**

(**) Term: **14 Years**

The ornamental design for a fluid delivery apparatus, substantially as shown and described.

(21) Appl. No.: **29/227,619**

DESCRIPTION

(22) Filed: **Apr. 13, 2005**

(51) **LOC (8) Cl.** **24-01**

(52) **U.S. Cl.** **D24/160**

(58) **Field of Classification Search** D24/108,
 D24/111, 144, 185, 186, 187, 170, 172, 160,
 D24/158; D34/12, 14, 23; 600/431, 432,
 600/437, 458; 128/DIG. 1; 604/24, 23,
 604/26, 122, 152, 154

FIG. 1 is an overall perspective view of a fluid delivery apparatus showing our design;
 FIG. 2 is a front view thereof;
 FIG. 3 is a top view thereof;
 FIG. 4 is a left side view thereof;
 FIG. 5 is right side view thereof;
 FIG. 6 is a rear view thereof; and,
 FIG. 7 is a bottom view thereof.

See application file for complete search history.

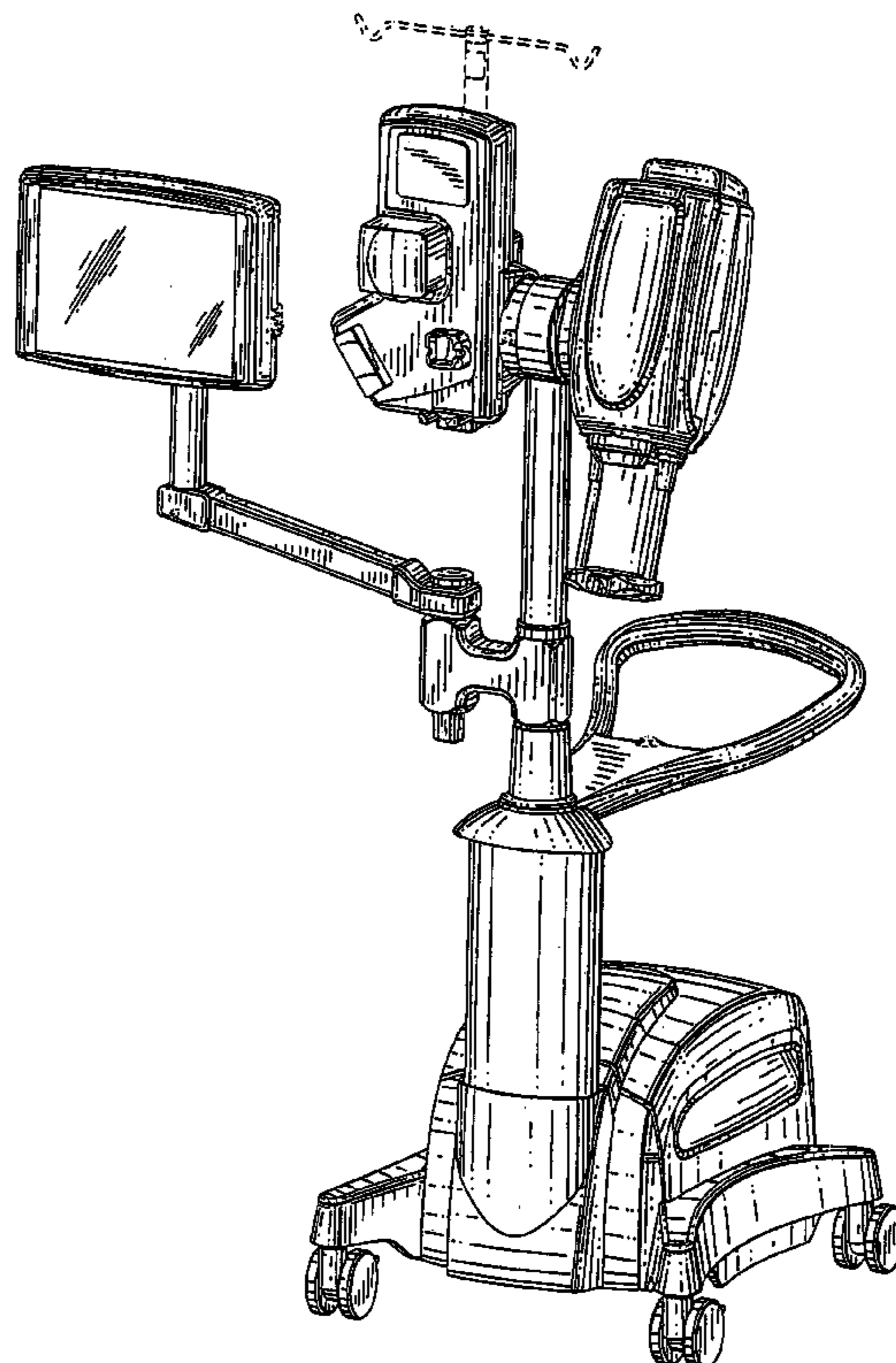
The portions of the article in broken lines are shown for illustrative purposes only and form no part of the claimed design.

(56) **References Cited**

U.S. PATENT DOCUMENTS

4,695,271 A * 9/1987 Goethel 604/506
 D391,638 S * 3/1998 Coons et al. D24/160

1 Claim, 7 Drawing Sheets



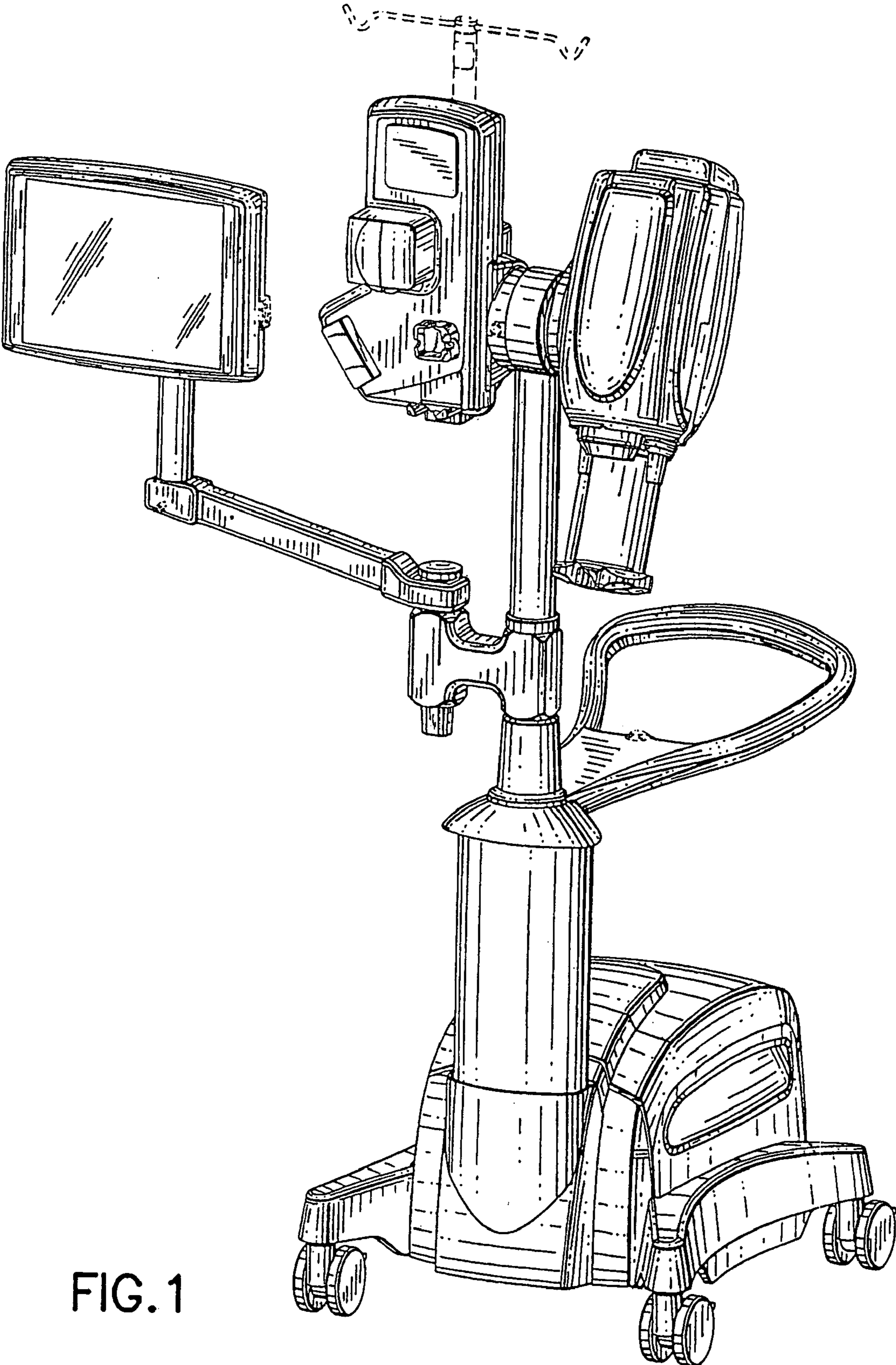


FIG. 1

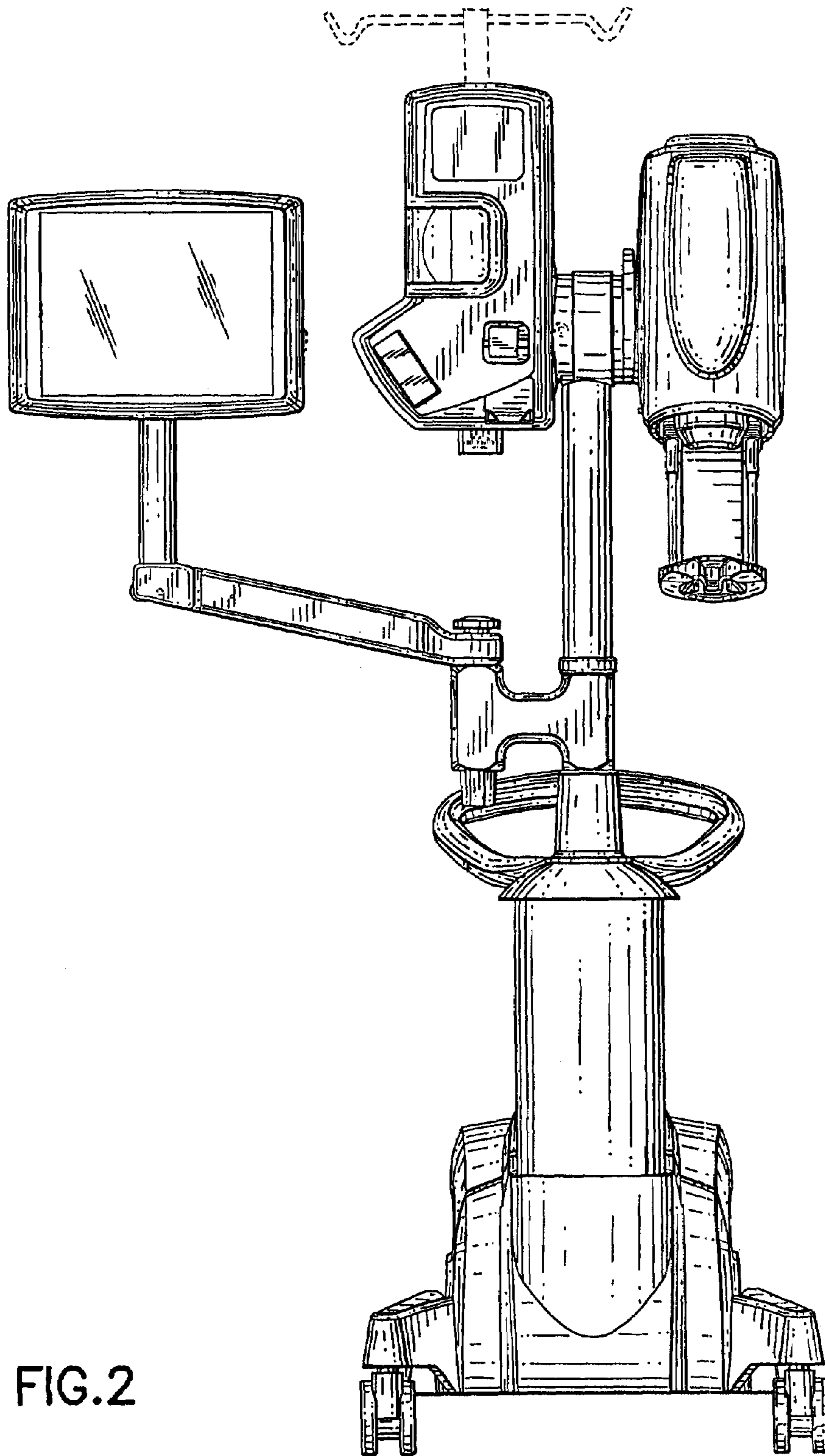


FIG.2

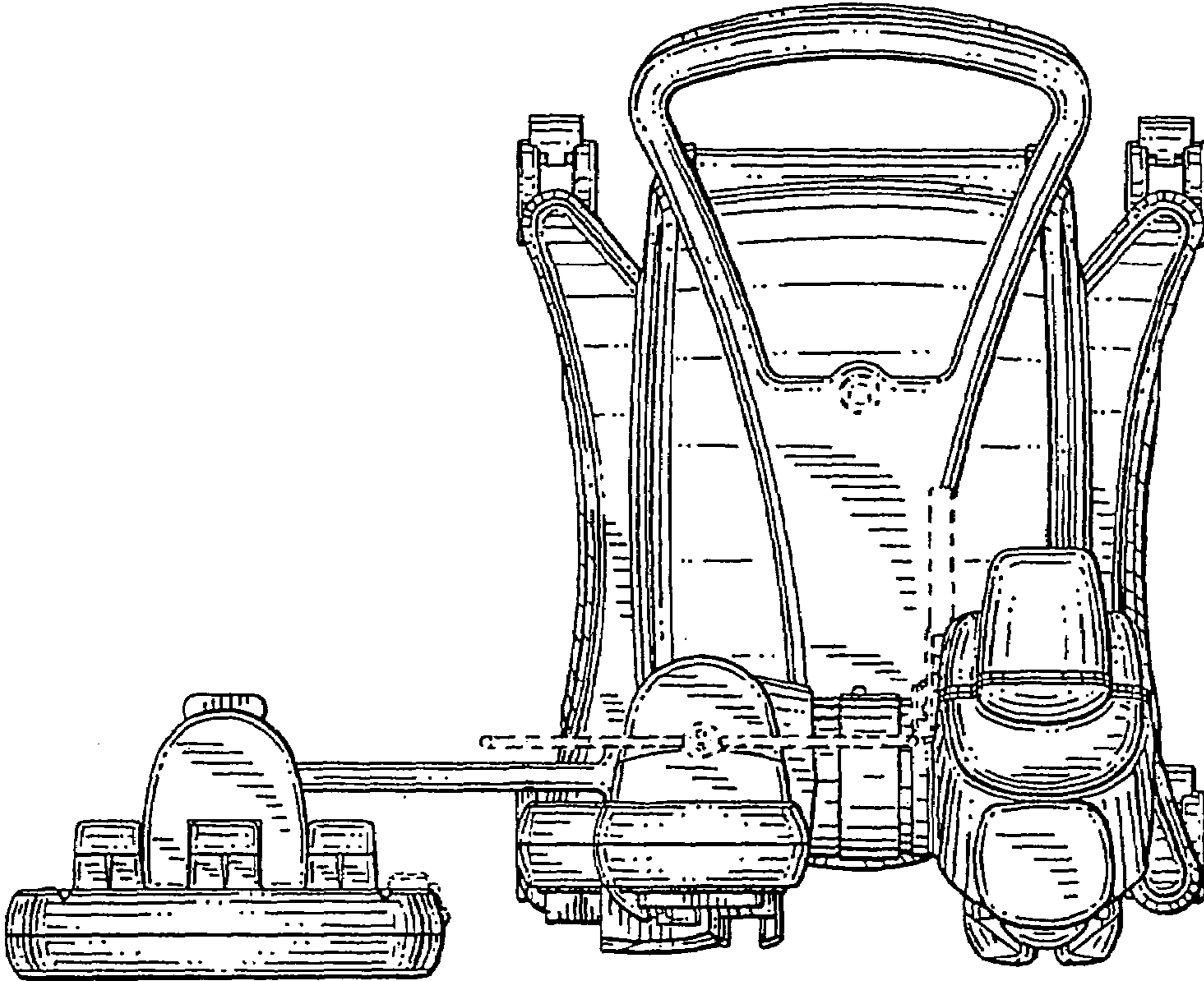
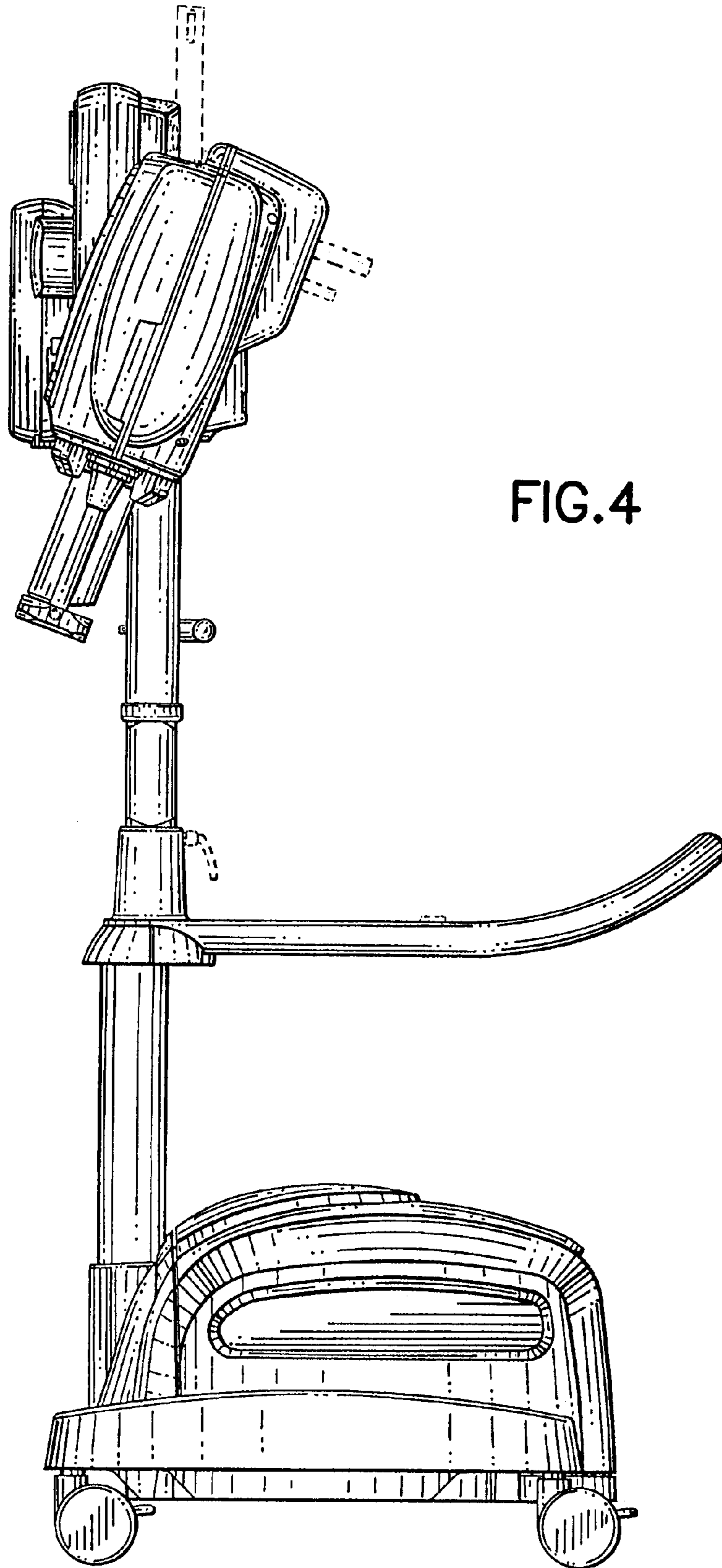


FIG.3



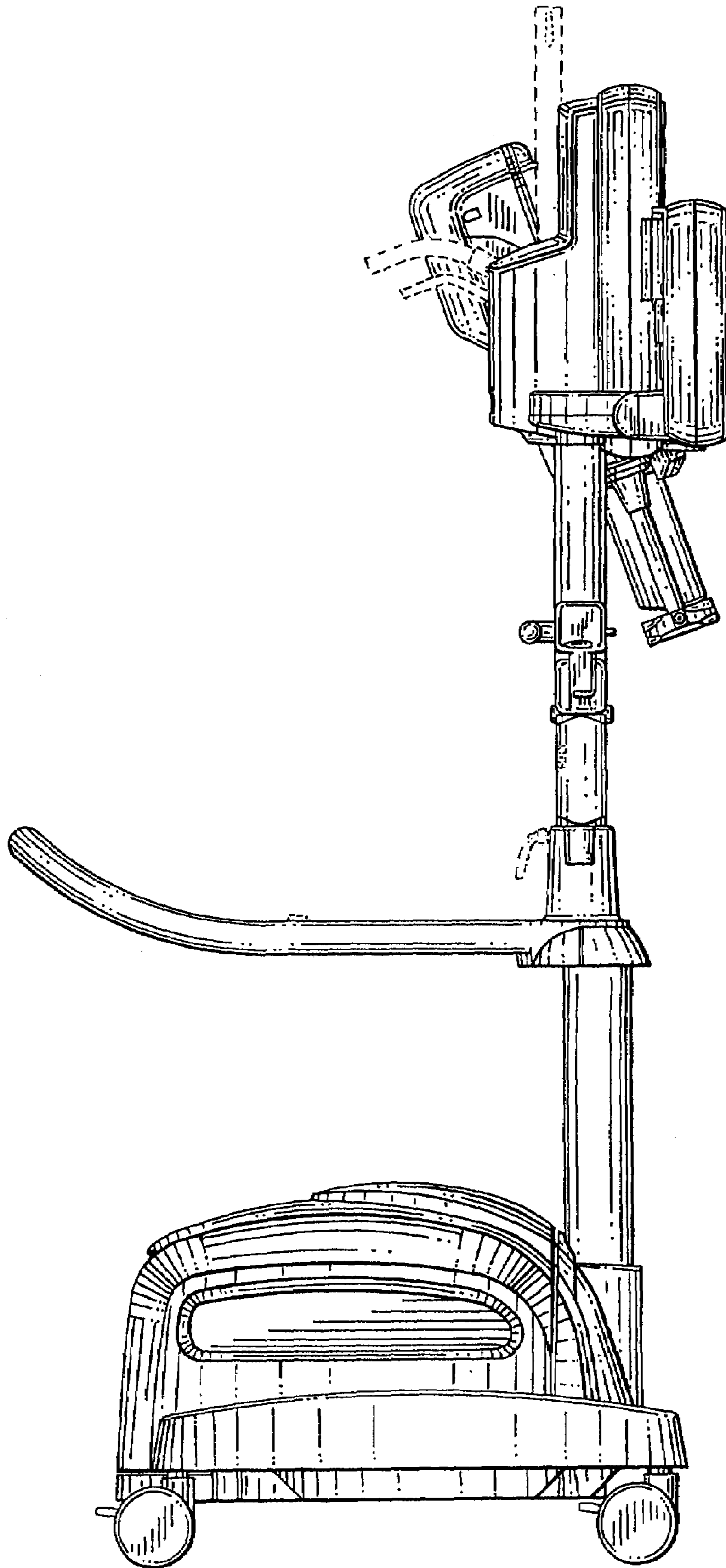


FIG.5

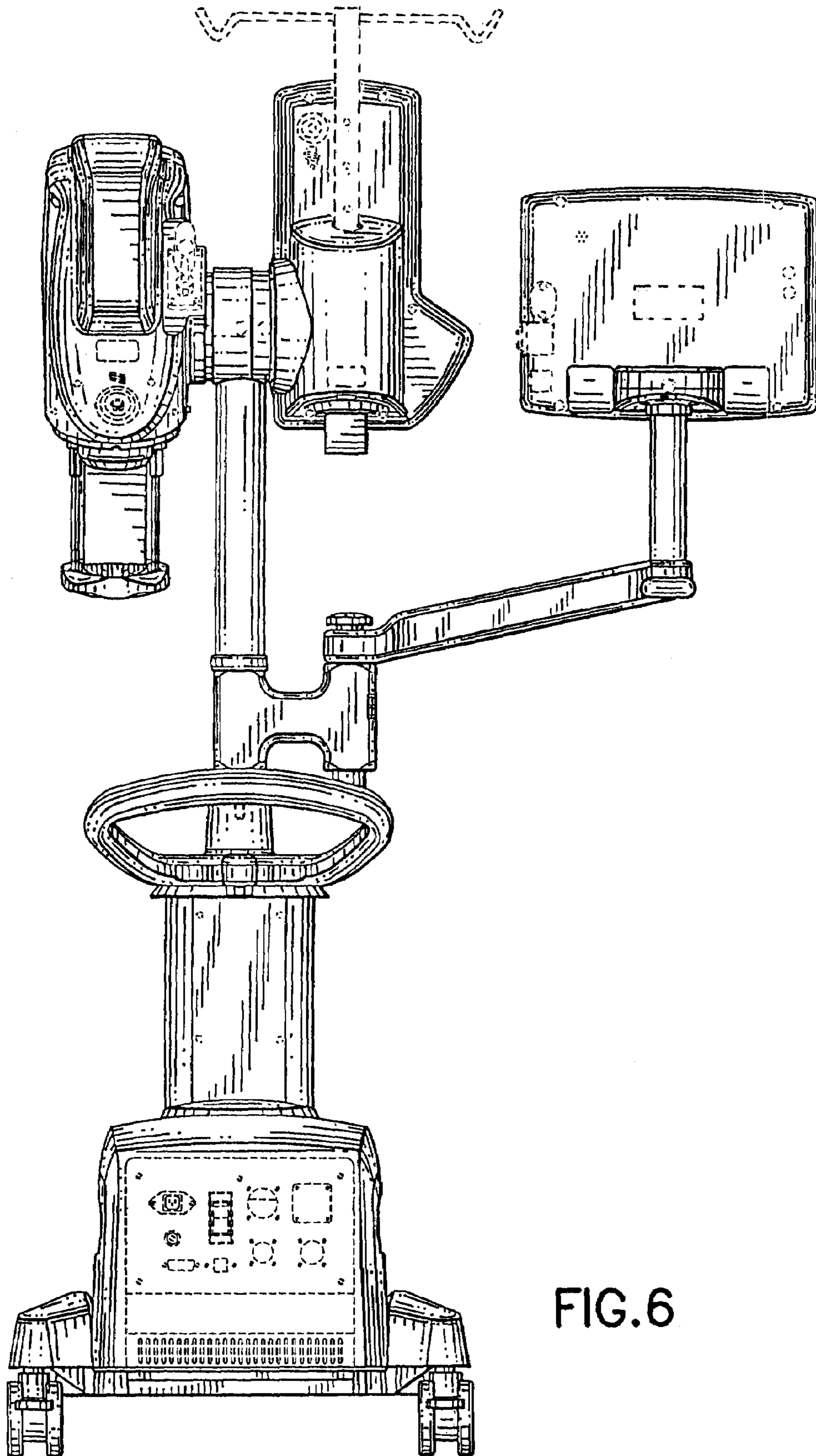


FIG. 6

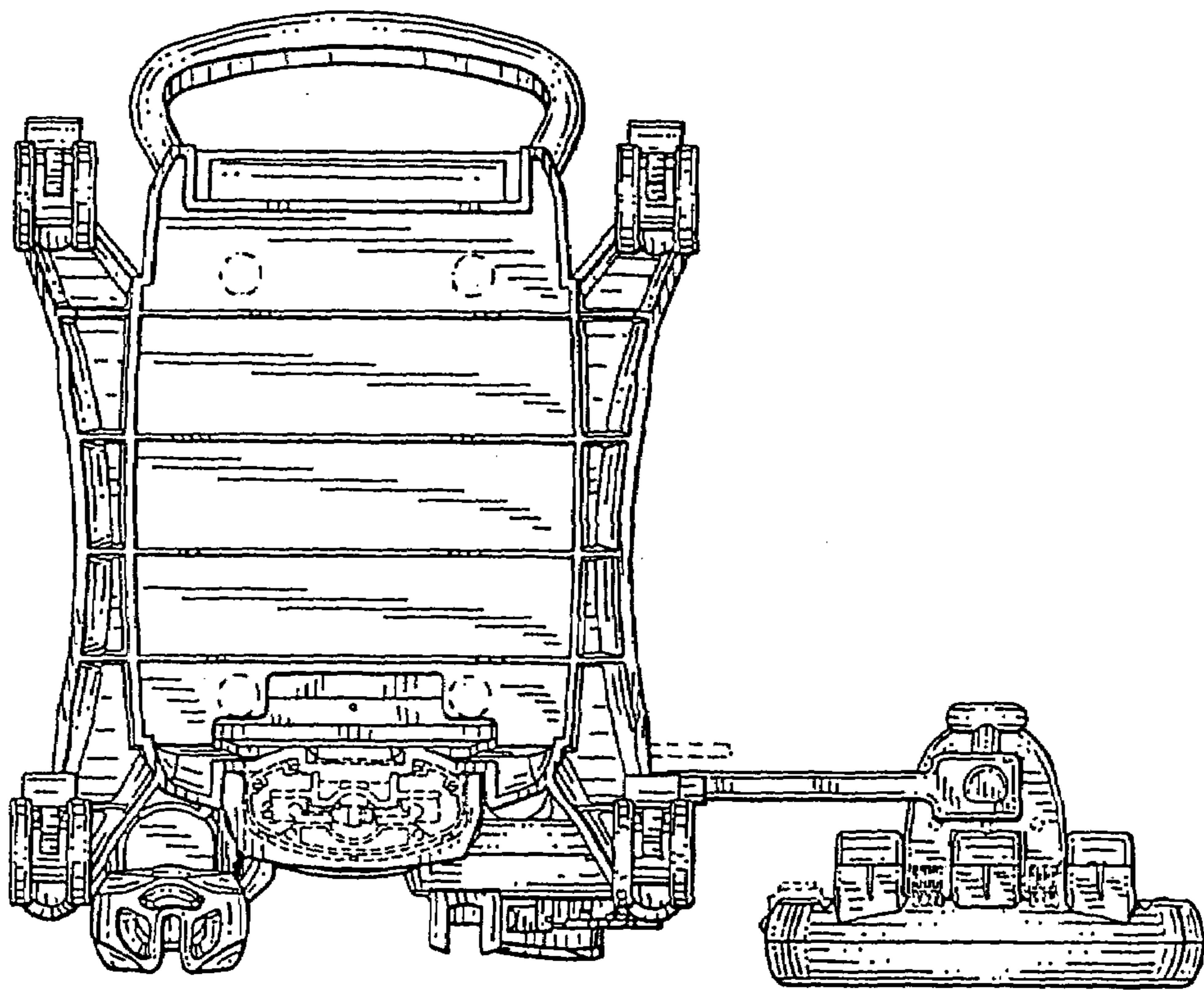


FIG.7