

US00D545957S

(12) **United States Design Patent**
Stumpf

(10) **Patent No.:** **US D545,957 S**

(45) **Date of Patent:** **** Jul. 3, 2007**

(54) **VEGETABLE OIL BURNER**

(75) Inventor: **Elmar Stumpf**, Taufkirchen (DE)

(73) Assignee: **BSH Bosch und Siemens Hausgeraete GmbH**, Munich (DE)

(**) Term: **14 Years**

(21) Appl. No.: **29/263,945**

(22) Filed: **Jul. 31, 2006**

(51) **LOC (8) Cl.** **23-03**

(52) **U.S. Cl.** **D23/415**

(58) **Field of Classification Search** D7/332-335,
D7/337-349, 407; D23/314, 342, 348, 386,
D23/415, 416, 499; D26/114; 126/38, 39 E,
126/39 R, 41 R; 431/328, 330, 332, 354
See application file for complete search history.

(56) **References Cited**

U.S. PATENT DOCUMENTS

271,641	A *	2/1883	Kelly	239/290
1,039,319	A *	9/1912	Penn	431/330
1,350,917	A *	8/1920	Beckman	431/216
1,569,967	A *	1/1926	Rowlandson	431/336
1,811,371	A *	6/1931	Takimzu et al.	431/196
1,822,356	A *	9/1931	McCartney et al.	431/203
1,934,265	A *	11/1933	Hermann	431/154
1,948,857	A *	2/1934	Hoefl	431/330
2,344,218	A *	3/1944	Danielsen	431/330
D358,204	S *	5/1995	Ferrier	D23/314
6,799,567	B1 *	10/2004	Genest	126/30
2005/0045171	A1 *	3/2005	Wright	126/39 R

* cited by examiner

Primary Examiner—Sandra Snapp

Assistant Examiner—Karen Acker

(74) *Attorney, Agent, or Firm*—Russell W. Warnock; Craig J. Loest

(57) **CLAIM**

The ornamental design for a vegetable oil burner, as shown and described.

DESCRIPTION

FIG. 1 is a perspective view of a vegetable oil burner showing my ornamental design;

FIG. 2 is another perspective view of the vegetable oil burner embodiment shown in FIG. 1;

FIG. 3 is a right side view of the vegetable oil burner embodiment shown in FIG. 1;

FIG. 4 is a left side view of the vegetable oil burner embodiment shown in FIG. 1;

FIG. 5 is a front view of the vegetable oil burner embodiment shown in FIG. 1;

FIG. 6 is a rear view of the vegetable oil burner embodiment shown in FIG. 1;

FIG. 7 is a top view of the vegetable oil burner embodiment shown in FIG. 1;

FIG. 8 is a bottom view of the vegetable oil burner embodiment shown in FIG. 1;

FIG. 9 is another perspective view of a portion of the vegetable oil burner embodiment shown in FIG. 1;

FIG. 10 is a right side view of a portion of the vegetable oil burner embodiment shown in FIG. 1;

FIG. 11 is a left side view of a portion of the vegetable oil burner embodiment shown in FIG. 1;

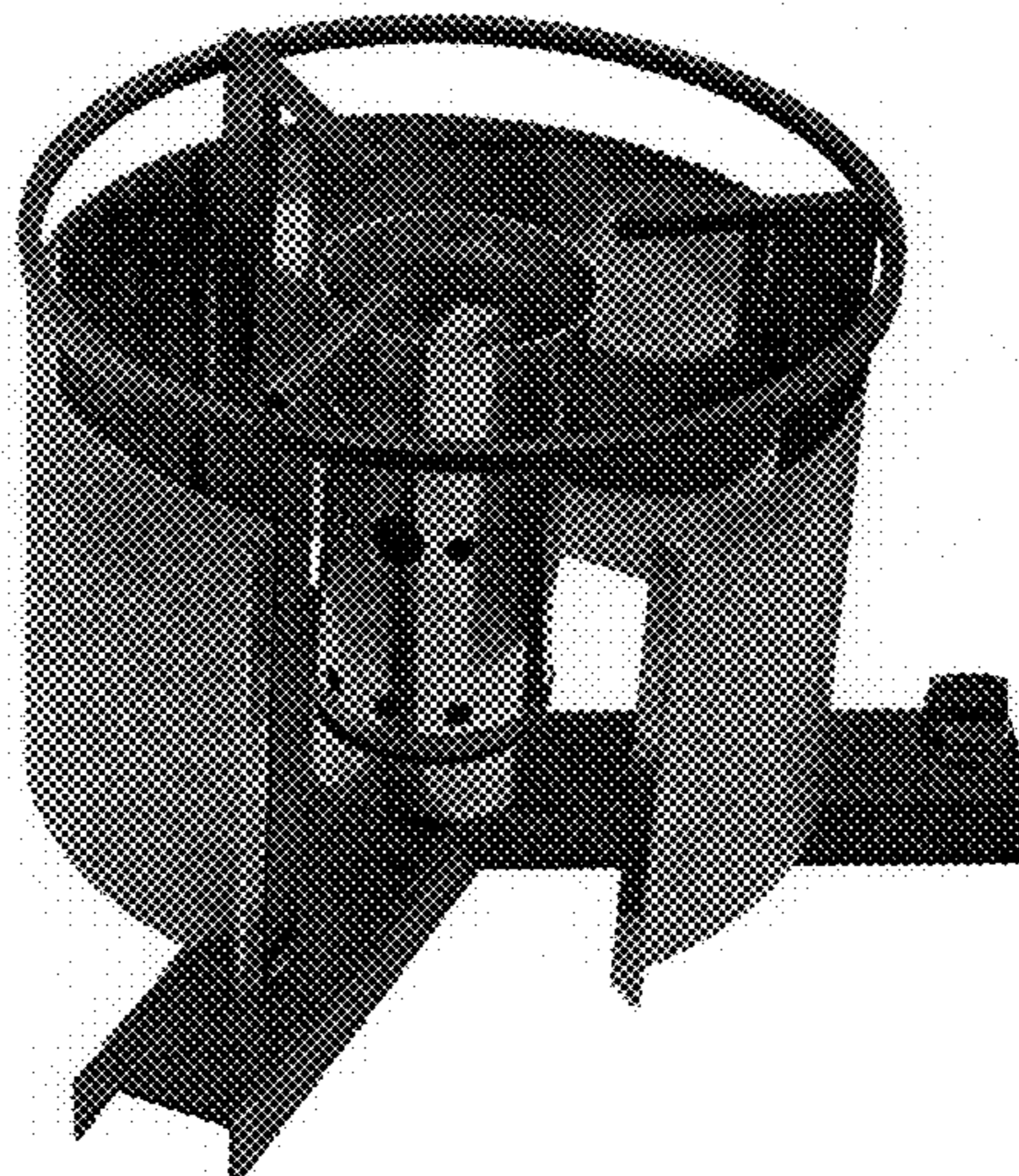
FIG. 12 is a front view of a portion of the vegetable oil burner embodiment shown in FIG. 1;

FIG. 13 is a rear view of a portion of the vegetable oil burner embodiment shown in FIG. 1;

FIG. 14 is a top view of a portion of the vegetable oil burner embodiment shown in FIG. 1; and,

FIG. 15 is a bottom view of a portion of a vegetable oil burner embodiment shown in FIG. 1.

1 Claim, 12 Drawing Sheets



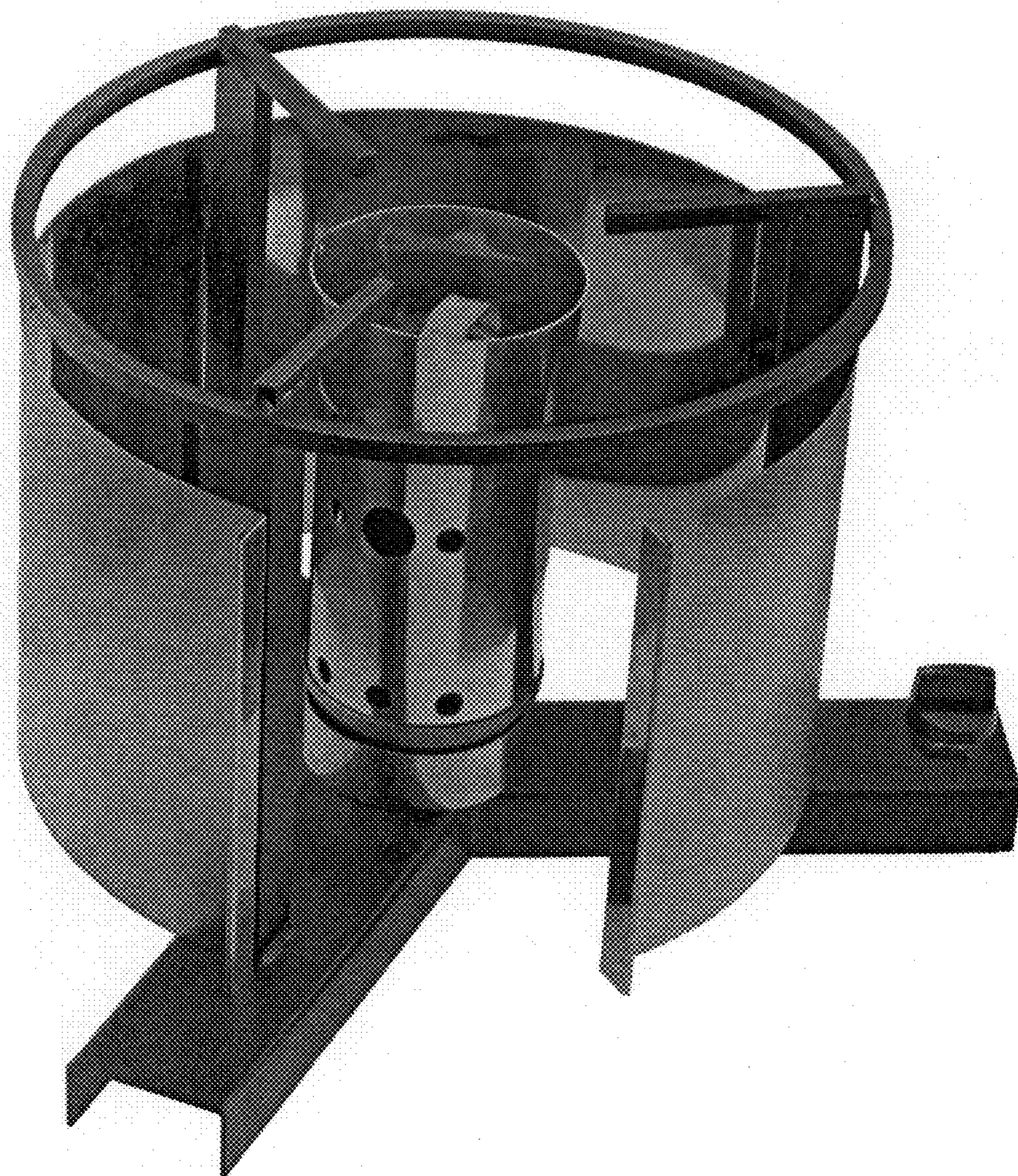


Fig. 1

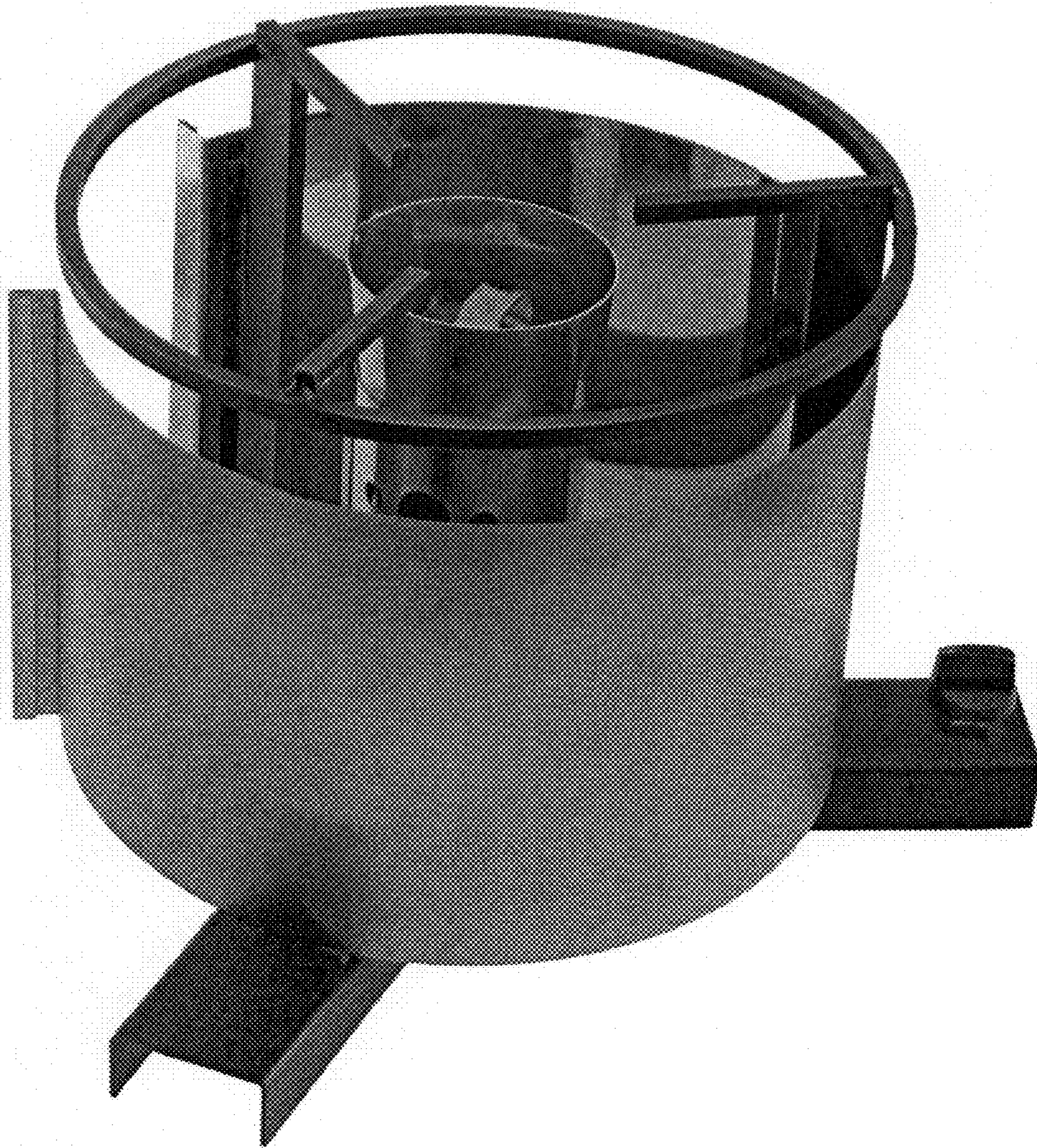


Fig. 2

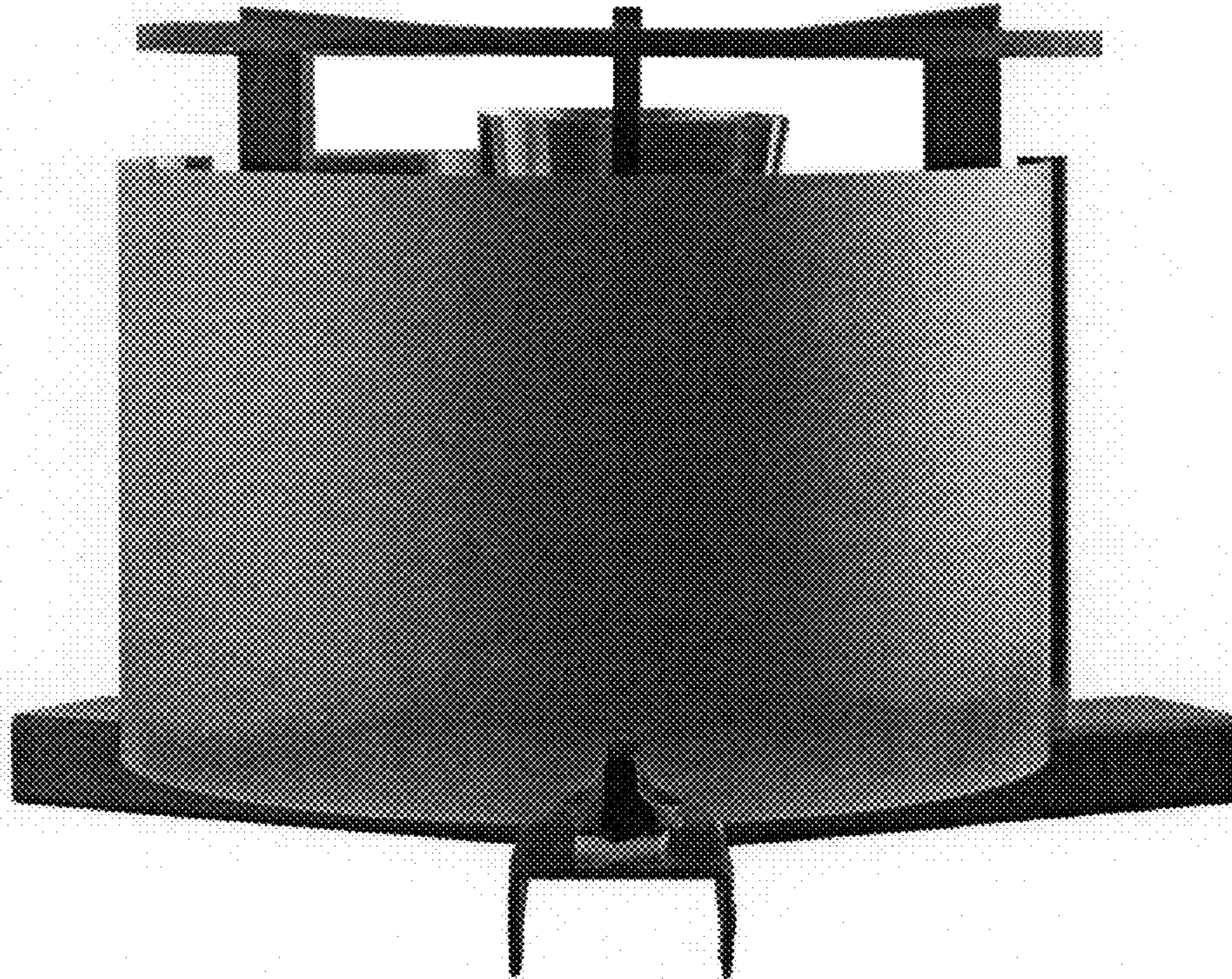


Fig. 3

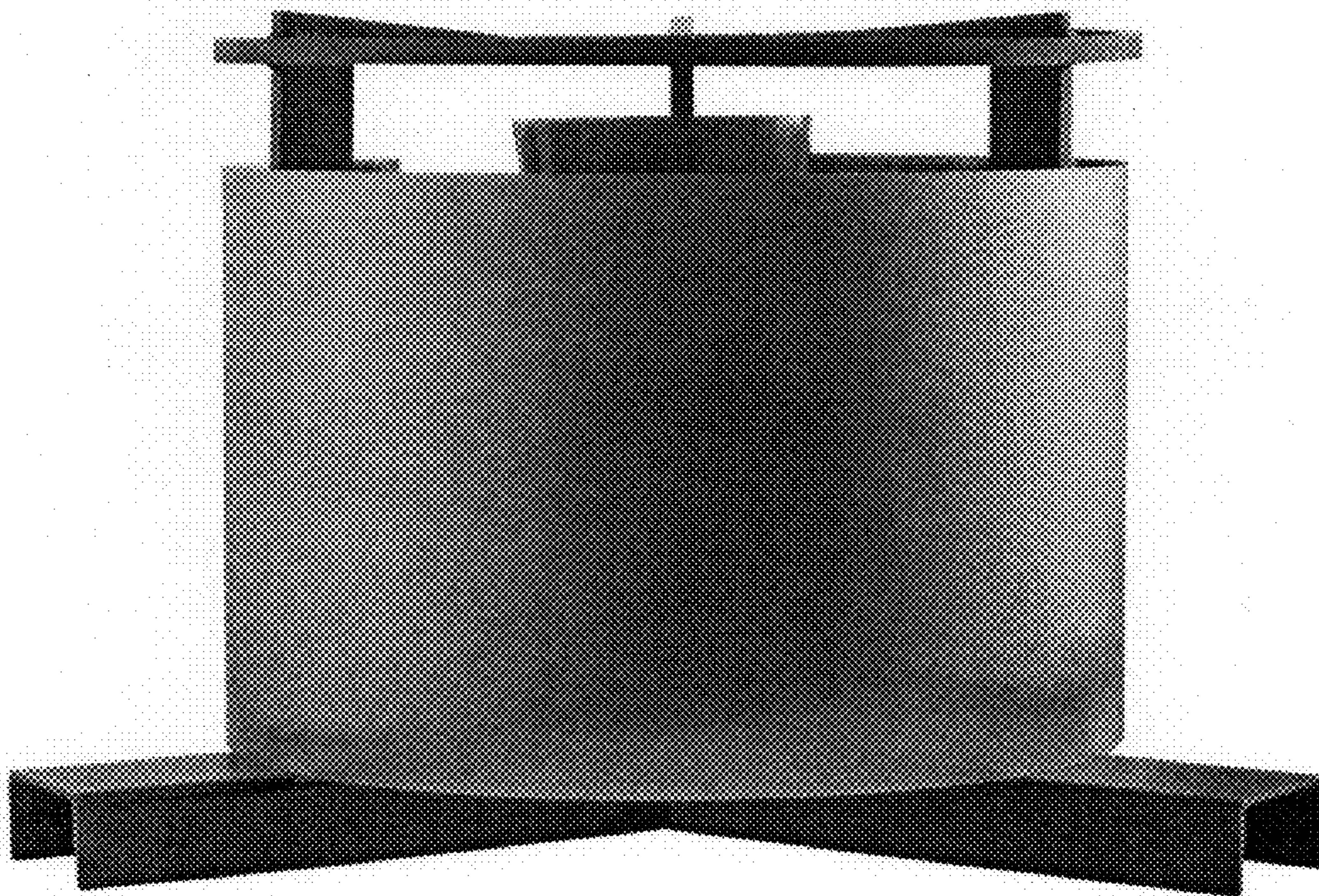


Fig. 4

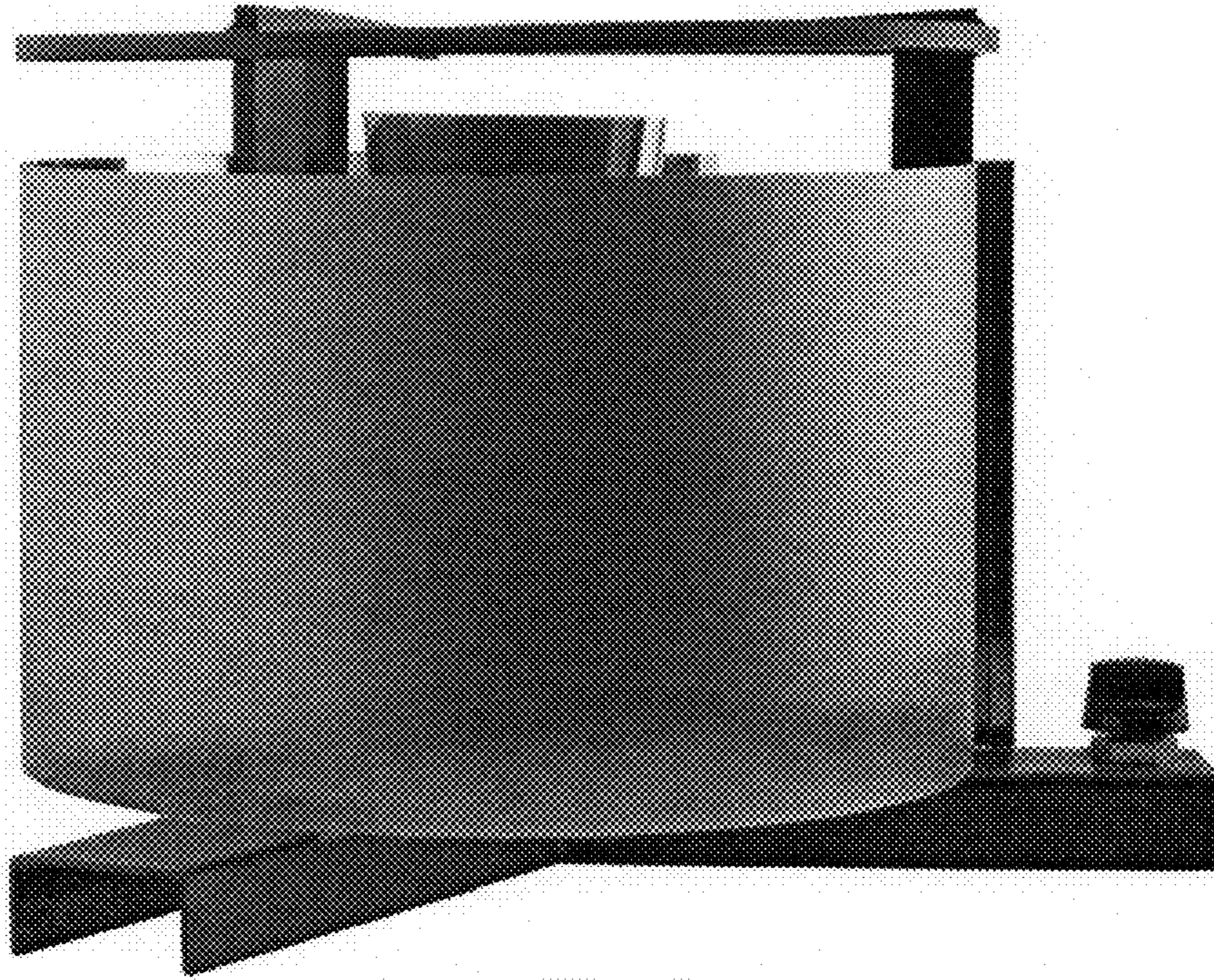


Fig. 5

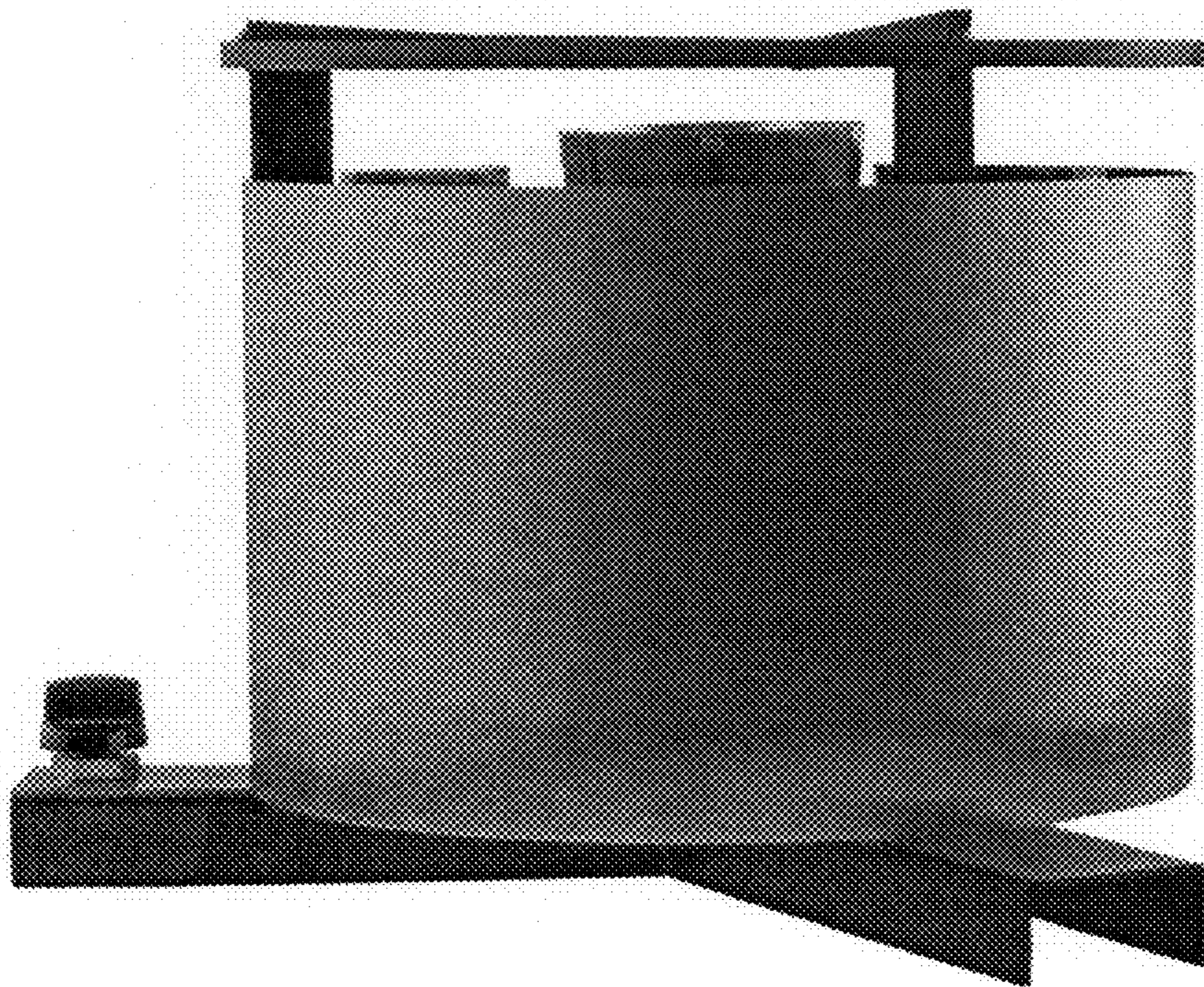


Fig. 6

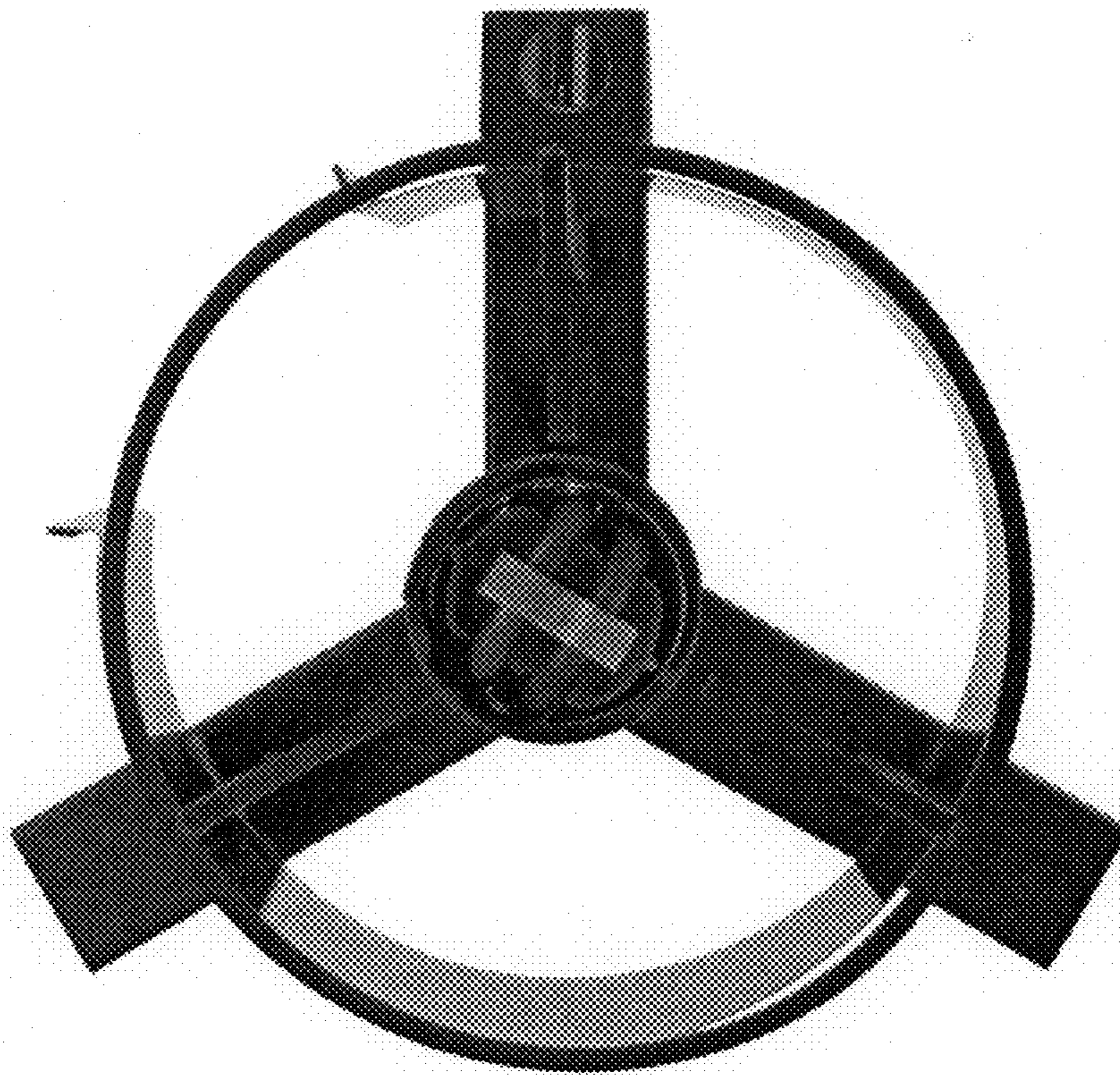


Fig. 7

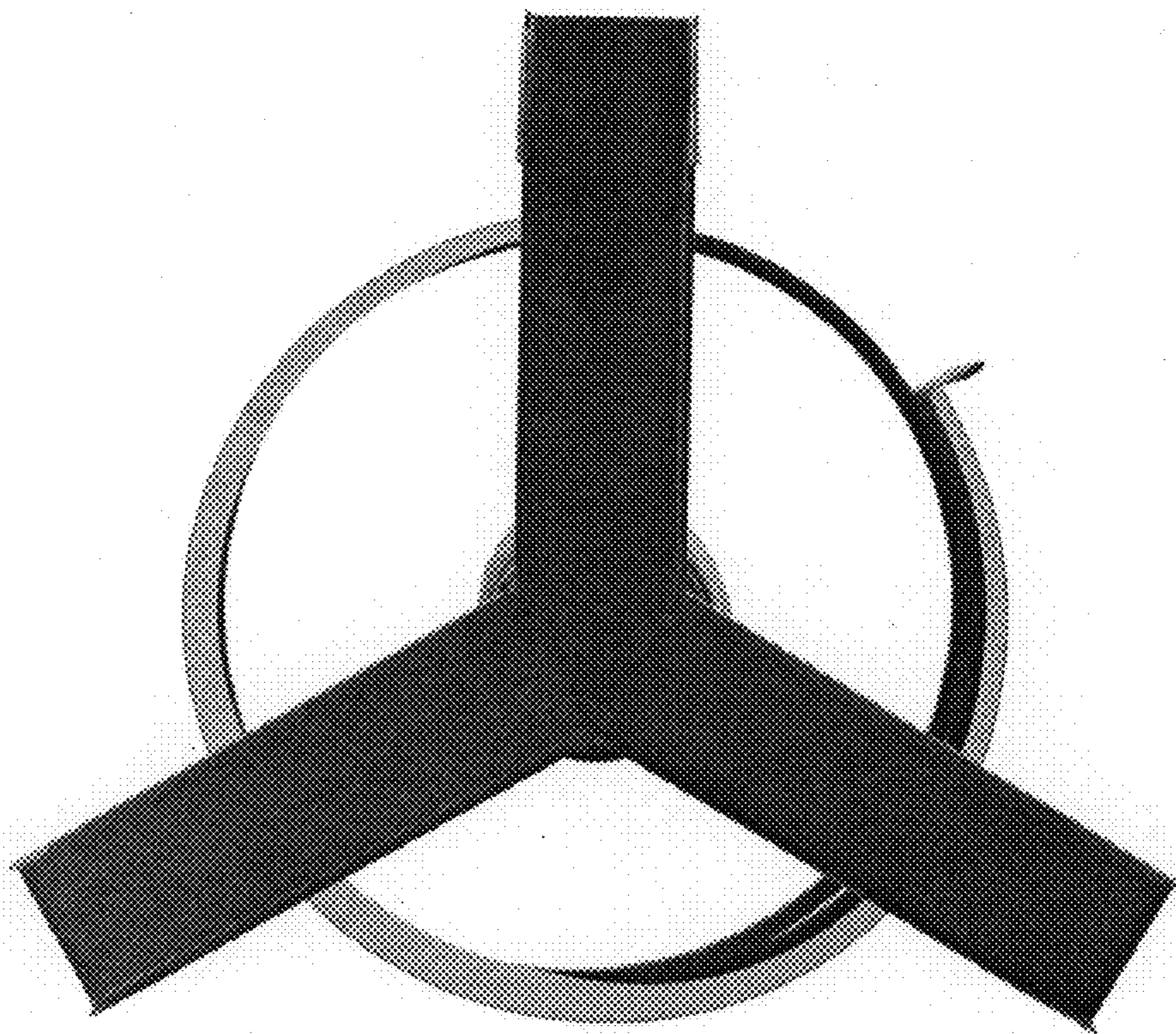


Fig. 8

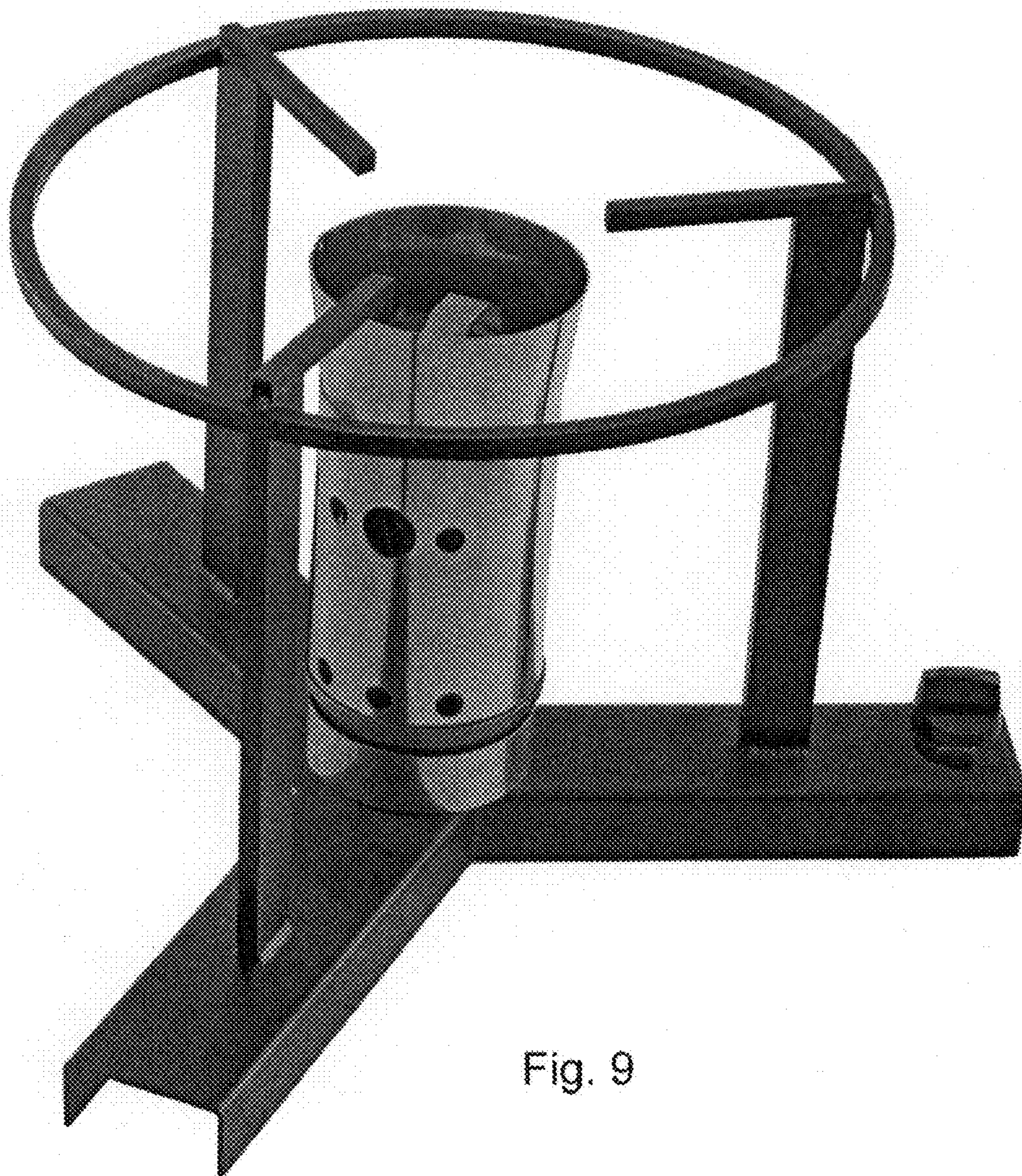


Fig. 9

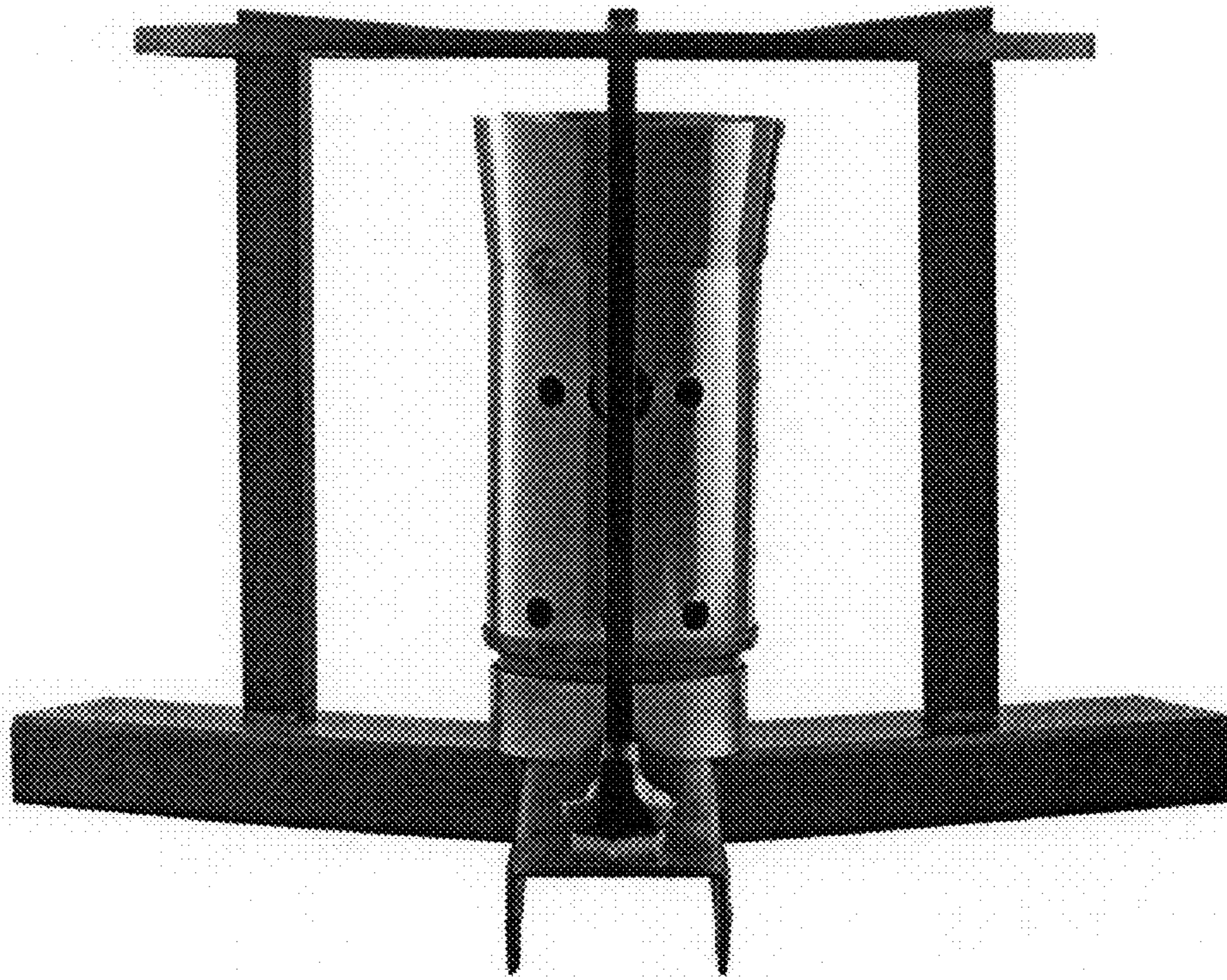


Fig. 10

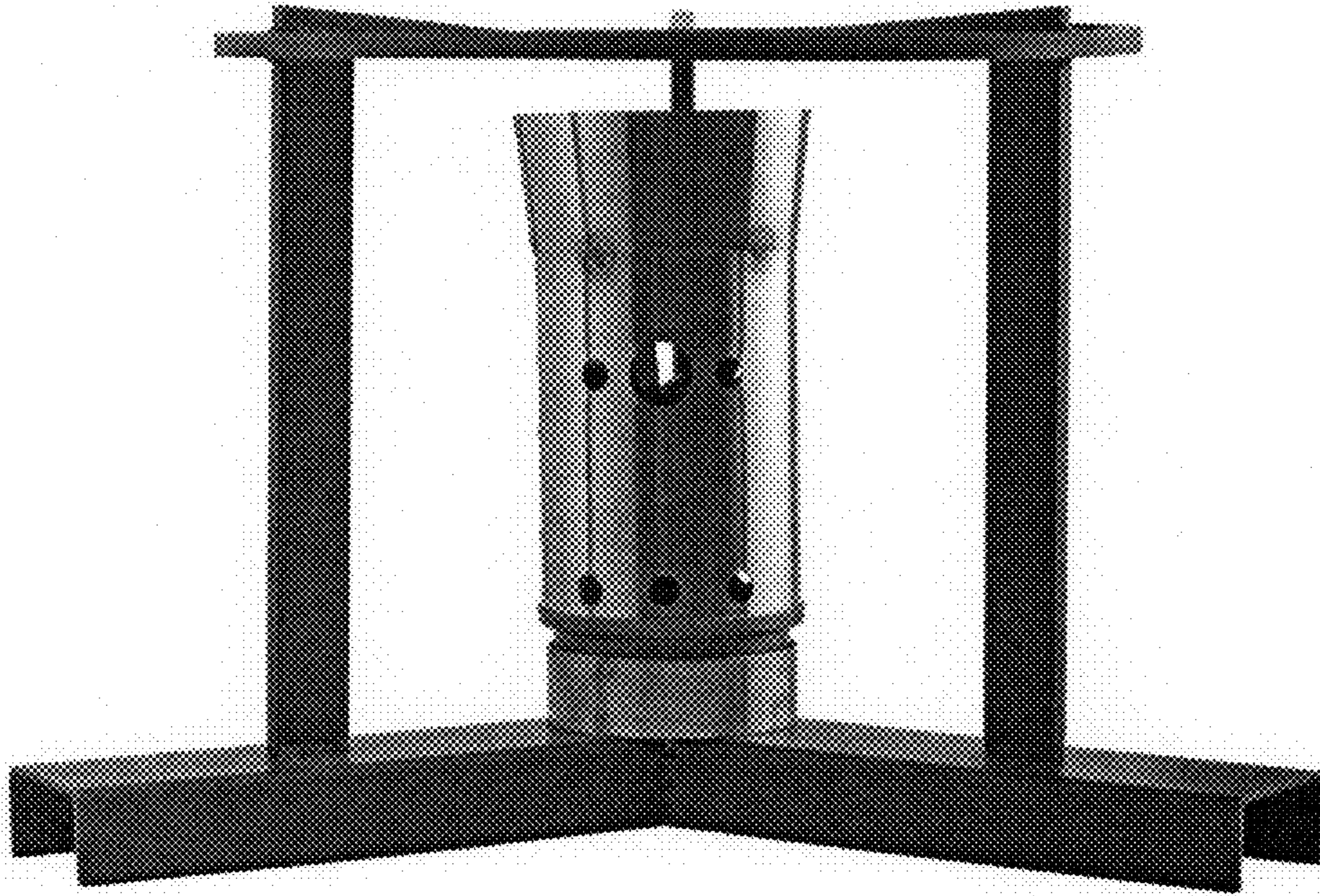


Fig. 11

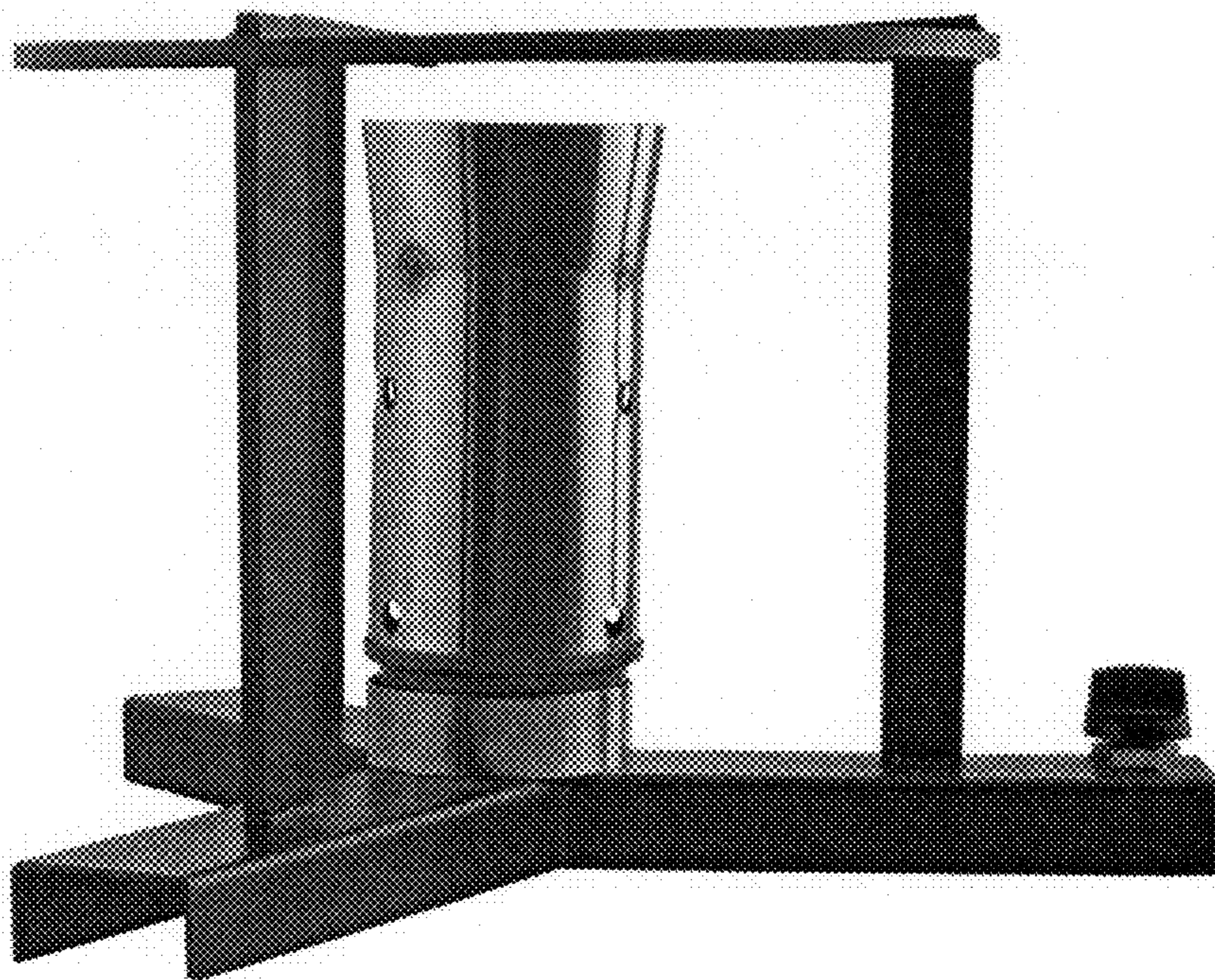


Fig. 12

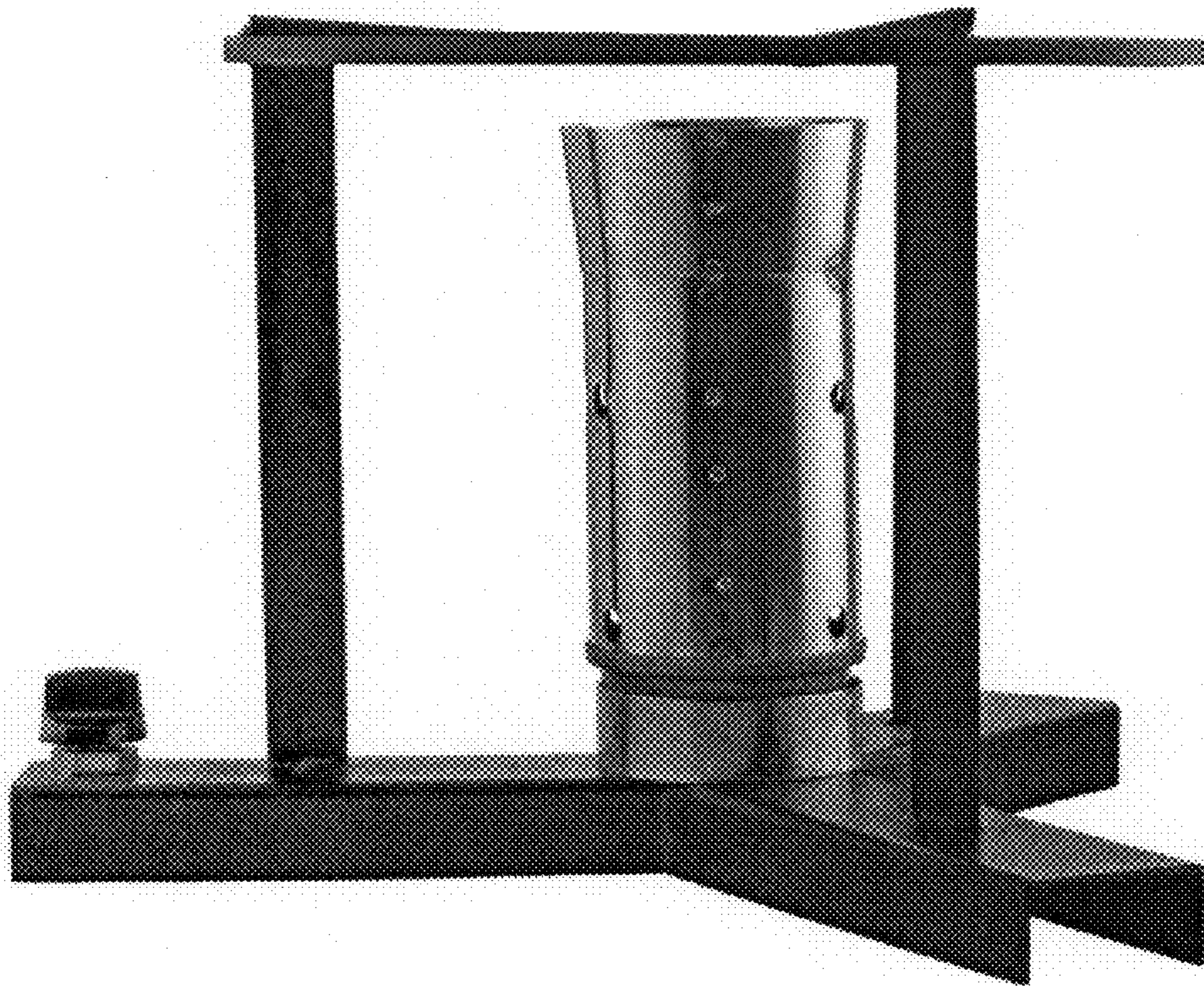


Fig. 13

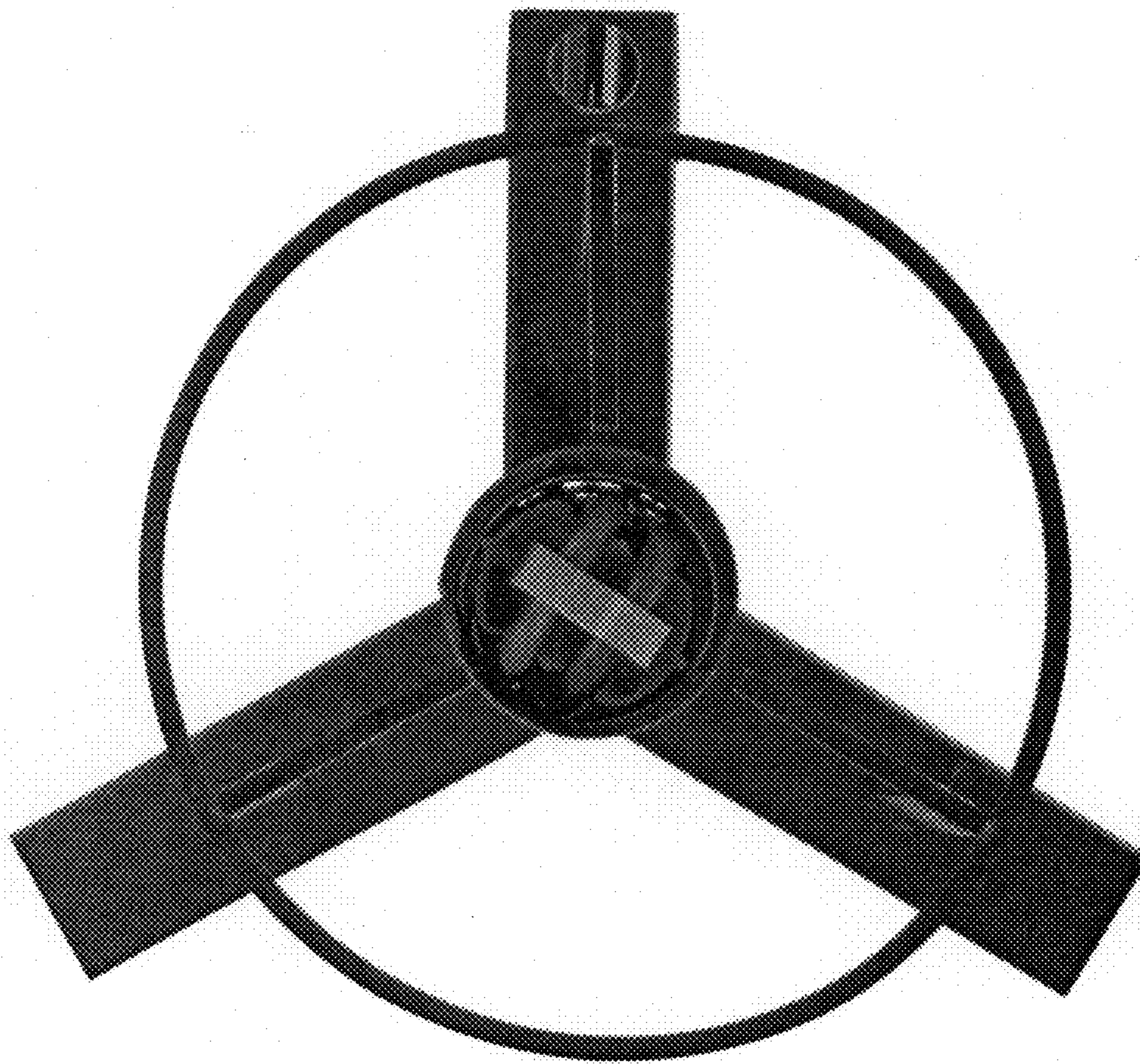


Fig. 14



Fig. 15