

US00D545954S

(12) **United States Design Patent**
Snow et al.

(10) **Patent No.:** **US D545,954 S**

(45) **Date of Patent:** **** Jul. 3, 2007**

(54) **HUMIDIFER UNIT AND TUB**

D486,900 S * 2/2004 Keller et al. D23/356

(75) Inventors: **John Michael Snow**, Cremorne (AU);
Dan Kao, Chatswood (AU); **Perry**
David Lithgow, Glenwood (AU); **Ian**
Malcolm Smith, Westleigh (AU);
William Bonilla, Blacktown (AU)

* cited by examiner

Primary Examiner—Robin Webster

(74) *Attorney, Agent, or Firm*—Nixon & Vanderhye P.C.

(73) Assignee: **ResMed Limited**, Bella Vista (AU)

(57) **CLAIM**

The ornamental design for a humidifier unit and tub, as shown and described.

(**) Term: **14 Years**

DESCRIPTION

(21) Appl. No.: **29/251,426**

FIG. 1 is a front perspective view of a humidifier unit and tub according to our design;

(22) Filed: **Jan. 9, 2006**

FIG. 2 is a front view thereof;

(51) **LOC (8) Cl.** **23-04**

FIG. 3 is a rear view thereof;

(52) **U.S. Cl.** **D23/356**

FIG. 4 is a top view thereof;

(58) **Field of Classification Search** D23/356,

FIG. 5 is a bottom view thereof;

D23/358, 355, 364–5; 392/386, 405–6; 239/136;
261/DIG. 65; D24/110

FIG. 6 is a right side view thereof; and,

FIG. 7 is a left side view thereof.

See application file for complete search history.

Throughout the various figures of the drawings, certain views may not be provided. The omission of a particular view is intended to convey that the element(s) depicted is/are plain and unornamented in that omitted view, or that the particular ornamental appearance in that view is simply not claimed.

(56) **References Cited**

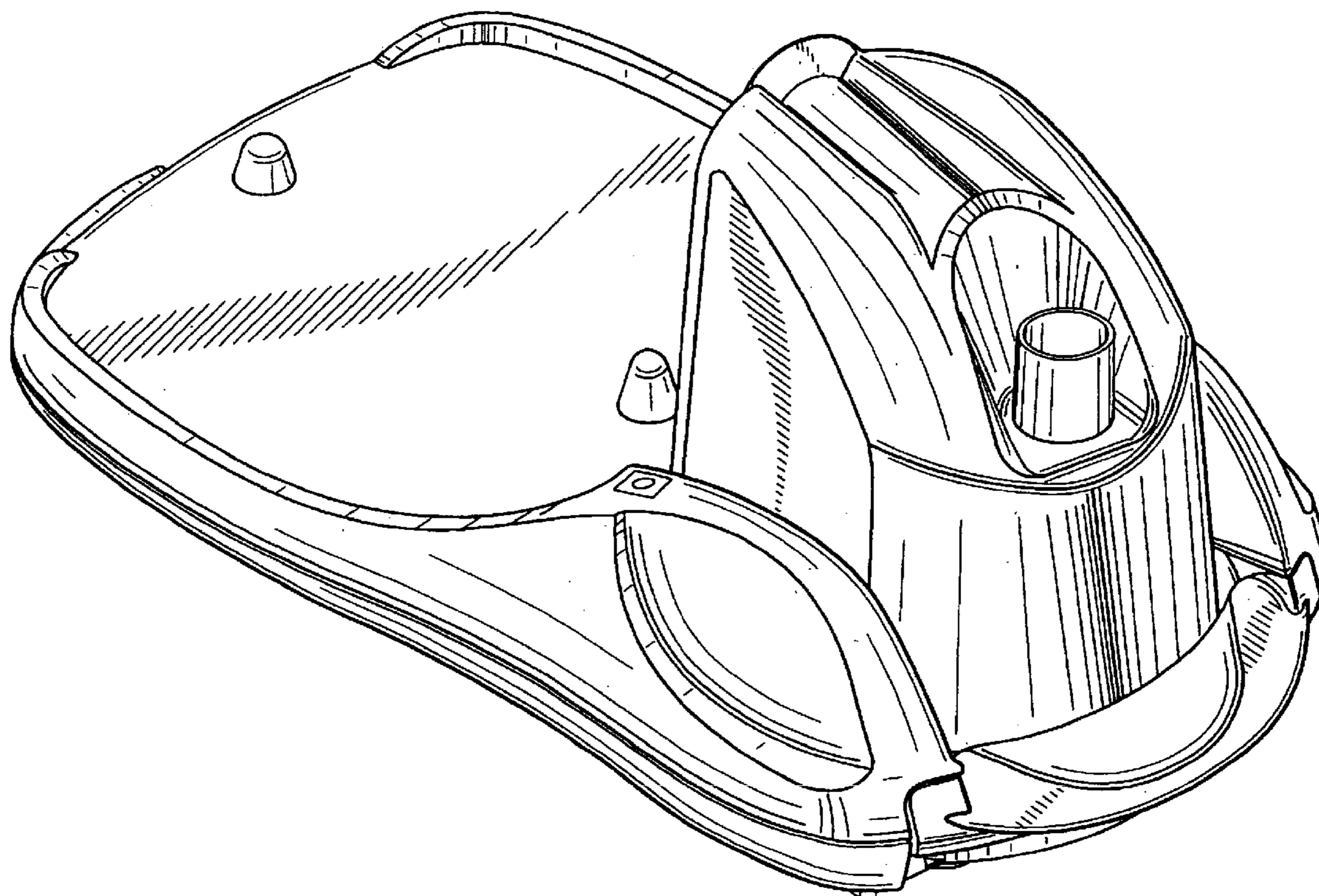
U.S. PATENT DOCUMENTS

4,657,713 A * 4/1987 Miller 261/142

6,314,237 B1 * 11/2001 Glucksman 392/405

D468,819 S * 1/2003 Lai et al. D23/356

1 Claim, 6 Drawing Sheets



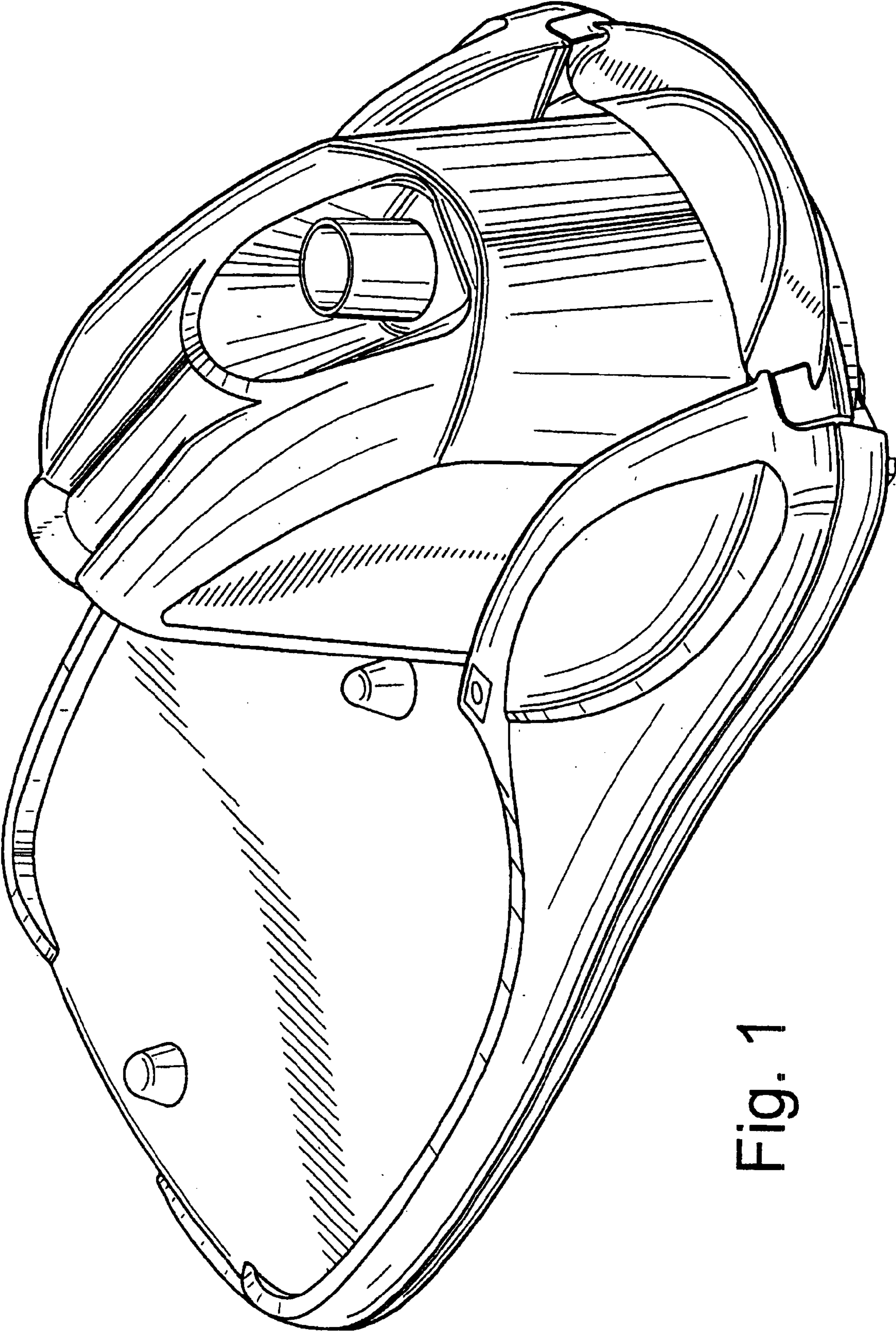


Fig. 1

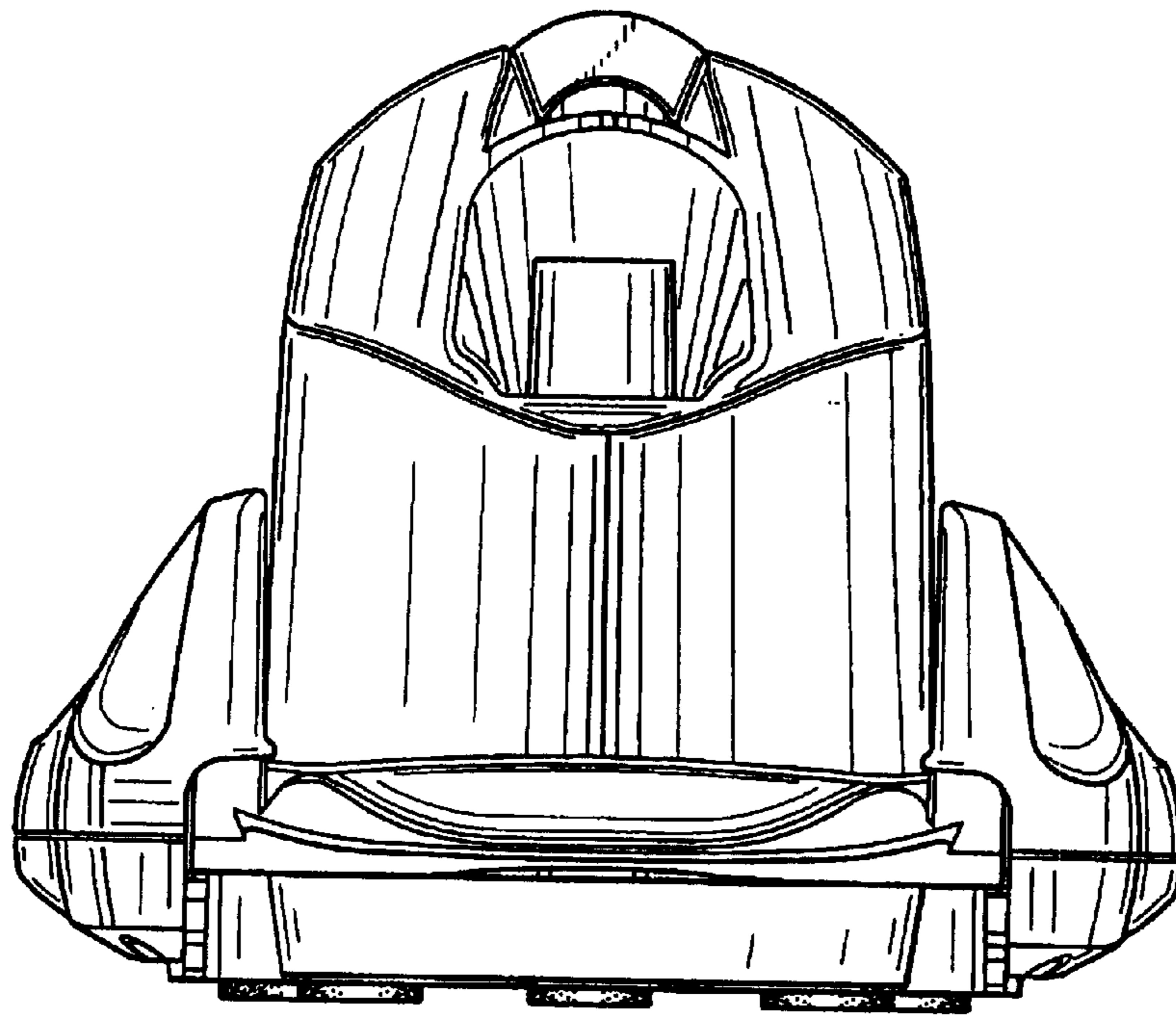


Fig. 2

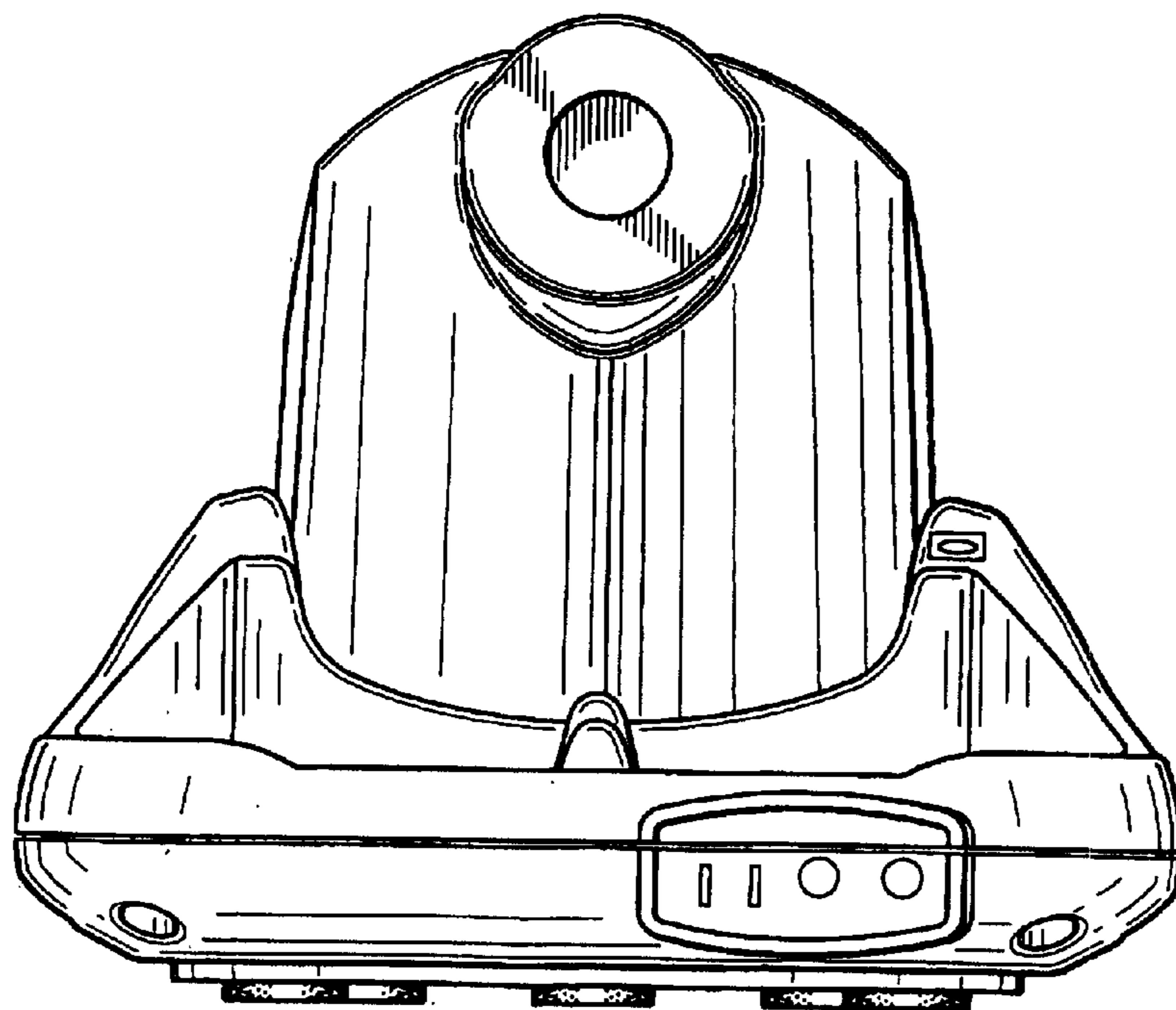


Fig. 3

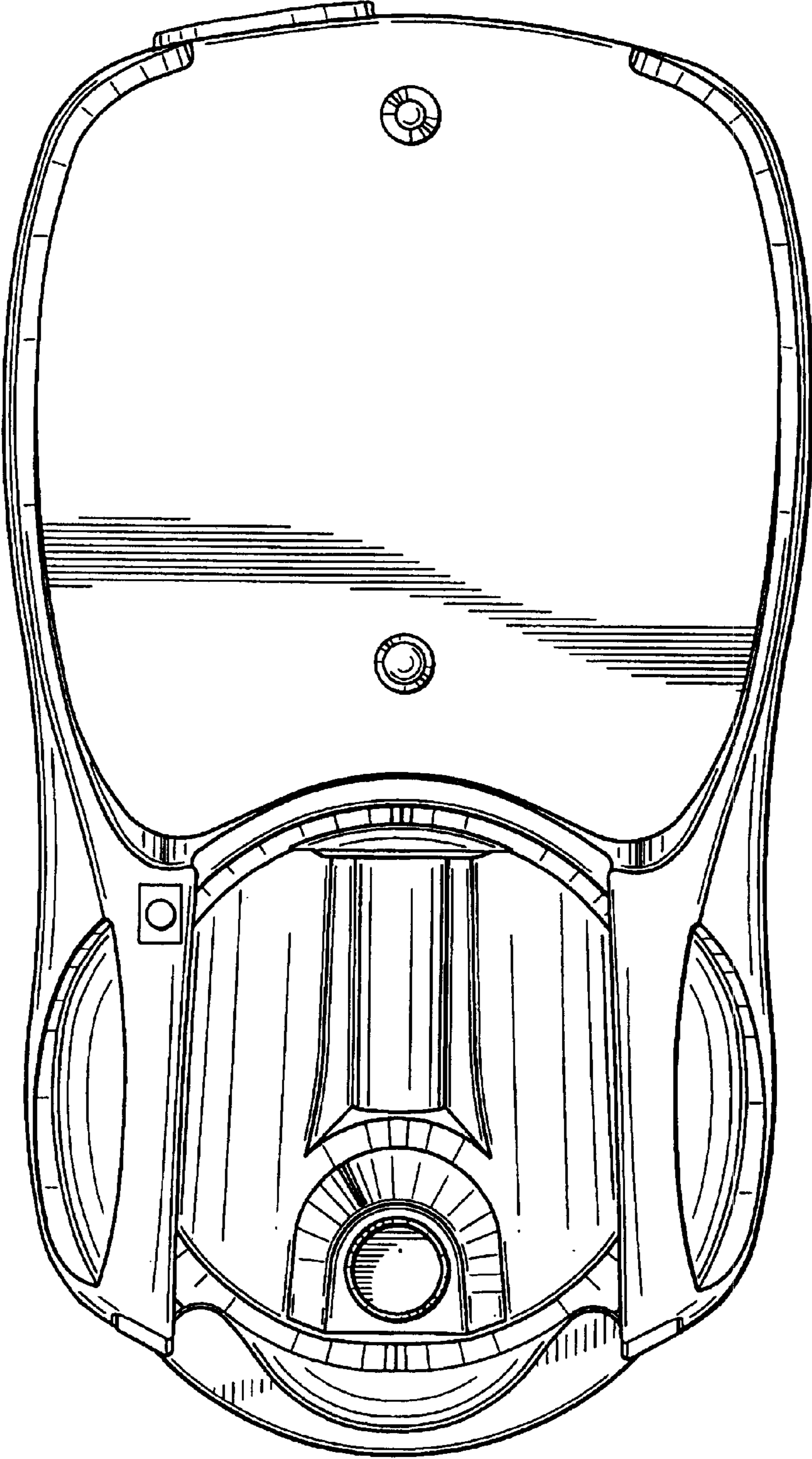


Fig. 4

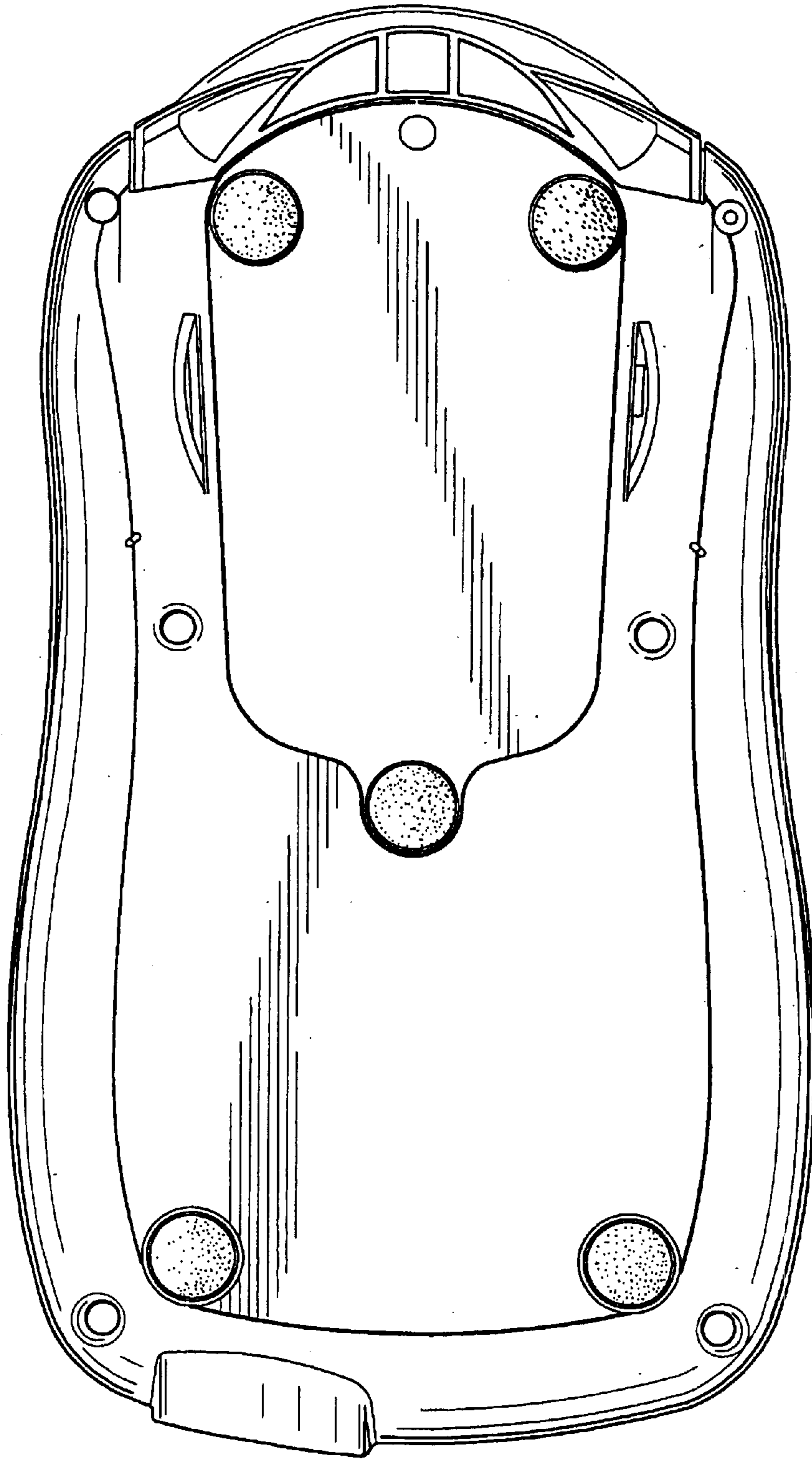


Fig. 5

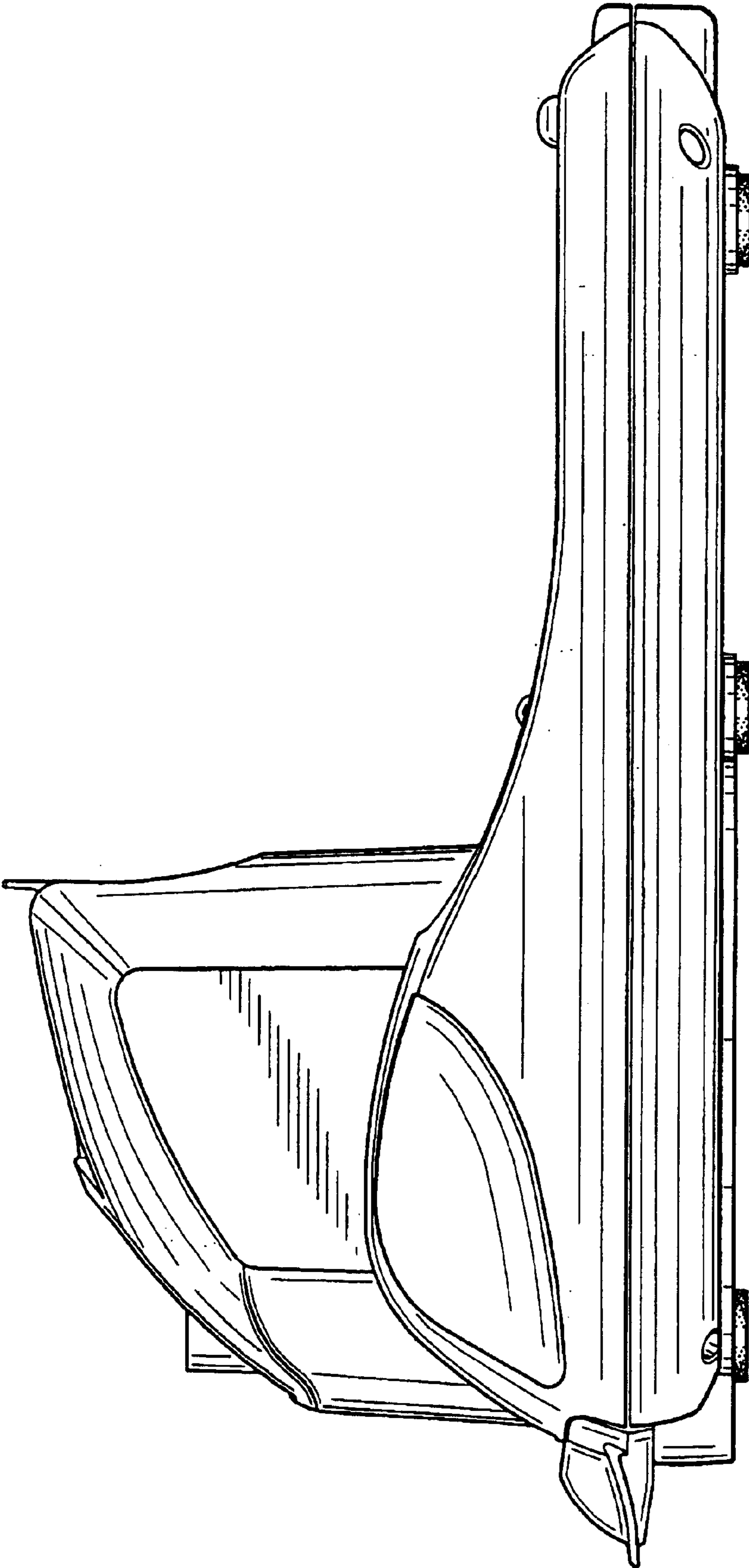


Fig. 6

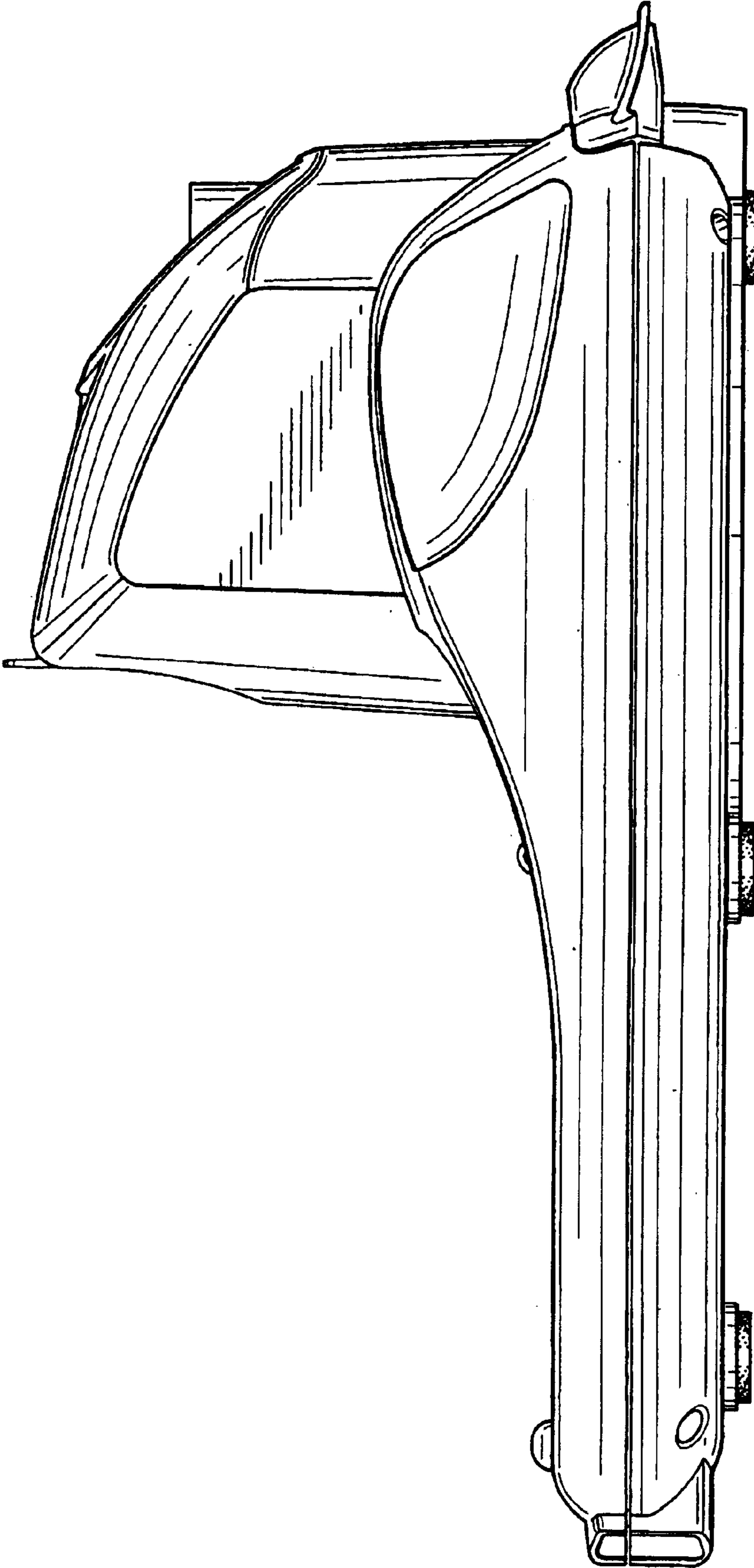


Fig. 7