



US00D545953S

(12) **United States Design Patent**
Chien

(10) **Patent No.:** **US D545,953 S**

(45) **Date of Patent:** **** Jul. 3, 2007**

(54) **ELECTRIC HEATER**

(76) Inventor: **Hung-Chi Chien**, Rm. 4C 26, No. 5,
Hainyi Rd., Sec. 5, Taipei (TW)

(**) Term: **14 Years**

(21) Appl. No.: **29/265,984**

(22) Filed: **Sep. 13, 2006**

Related U.S. Application Data

(62) Division of application No. 29/235,499, filed on Aug.
3, 2005.

(30) **Foreign Application Priority Data**

Feb. 3, 2005 (TW) 94300673
Feb. 4, 2005 (TW) 94202202

(51) **LOC (8) Cl.** **23-03**

(52) **U.S. Cl.** **D23/342**

(58) **Field of Classification Search** D23/314,
D23/332, 335-337, 339-341; 126/9 A, 92 A,
126/92 B, 92 AC, 110 B; 312/236; 392/365-369,
392/373-376; D14/211, 214
See application file for complete search history.

(56) **References Cited**

U.S. PATENT DOCUMENTS

D398,983 S * 9/1998 Keller et al. D23/382

D502,768 S * 3/2005 Blateri D23/336
D506,815 S * 6/2005 Blateri D23/335
D509,889 S * 9/2005 Blateri D23/335
D515,677 S * 2/2006 Blateri D23/335
D516,688 S * 3/2006 Blateri D23/335
D526,058 S * 8/2006 Blateri D23/332
D530,703 S * 10/2006 Hoehn et al. D14/211

* cited by examiner

Primary Examiner—Louis S. Zarfes

Assistant Examiner—Eric L. Goodman

(74) *Attorney, Agent, or Firm*—Troxell Law Office, PLLC

(57) **CLAIM**

The ornamental design for a electric heater, as shown and
described.

DESCRIPTION

FIG. 1 is a perspective view of an electric heater showing my
new design;

FIG. 2 is a front elevational view thereof;

FIG. 3 is a right side elevational view thereof;

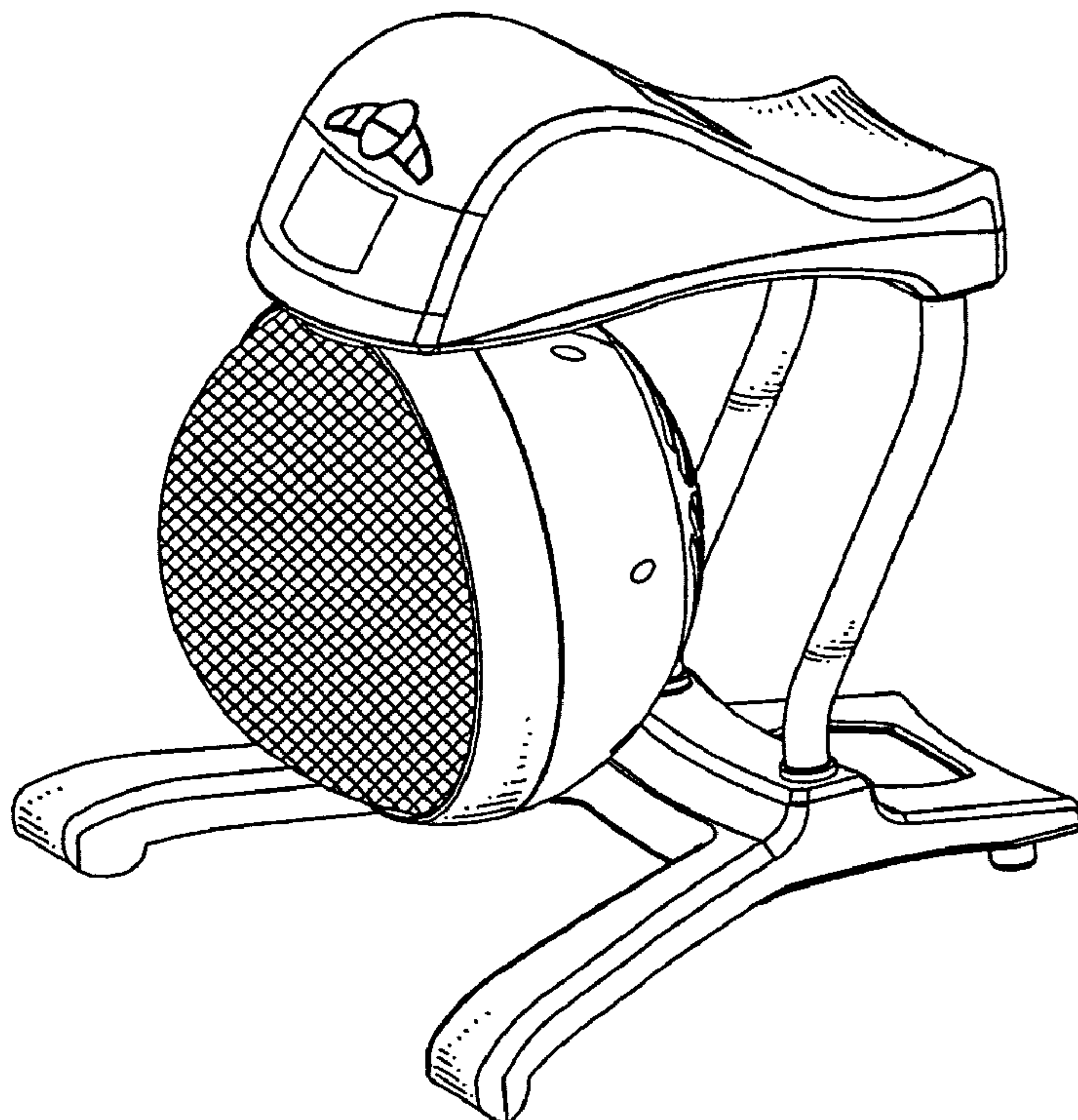
FIG. 4 is a top plan view thereof;

FIG. 5 is a bottom plan view thereof;

FIG. 6 is a rear elevational view thereof; and,

FIG. 7 is a left side elevational view thereof.

1 Claim, 4 Drawing Sheets



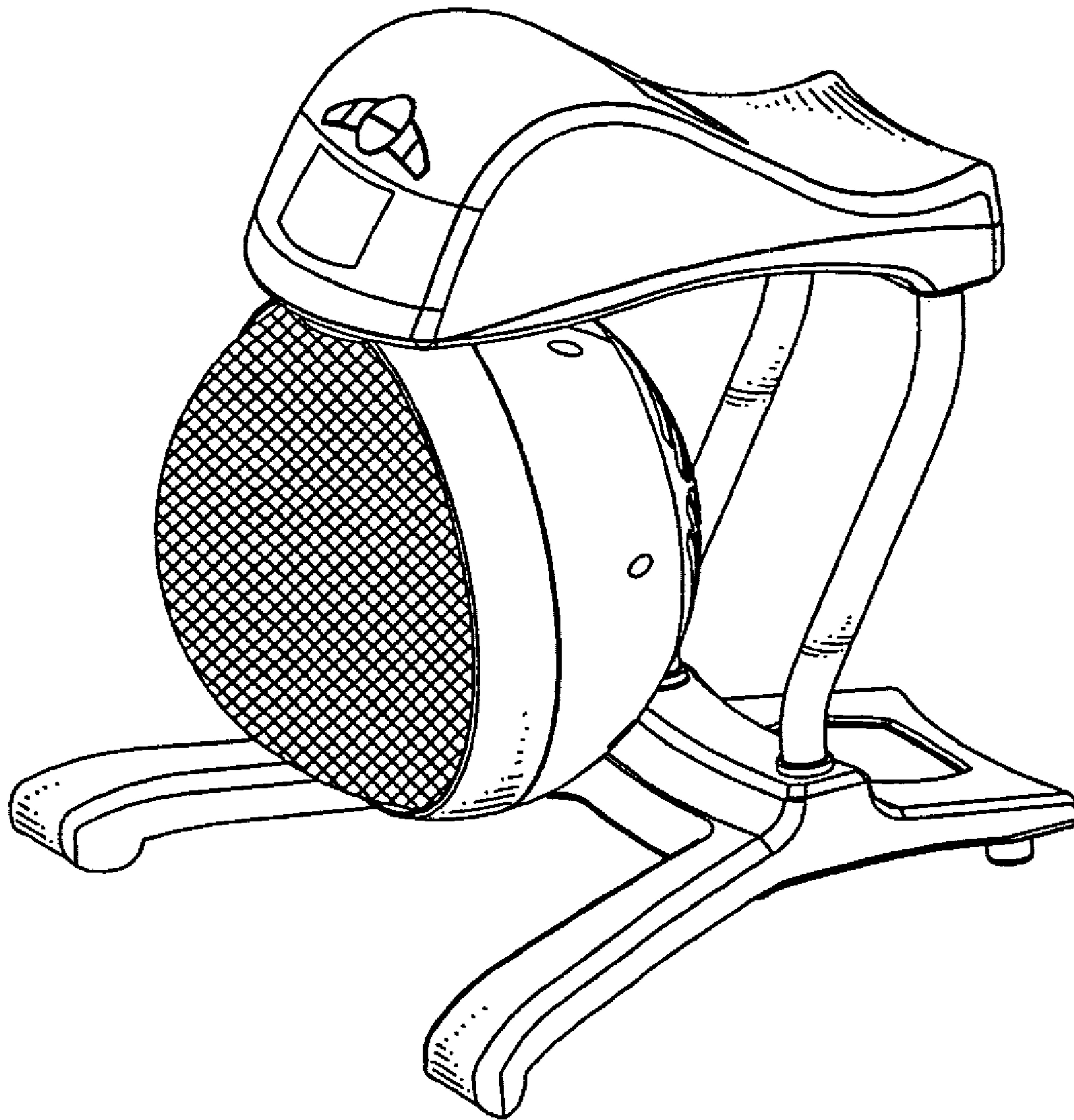


FIG. 1

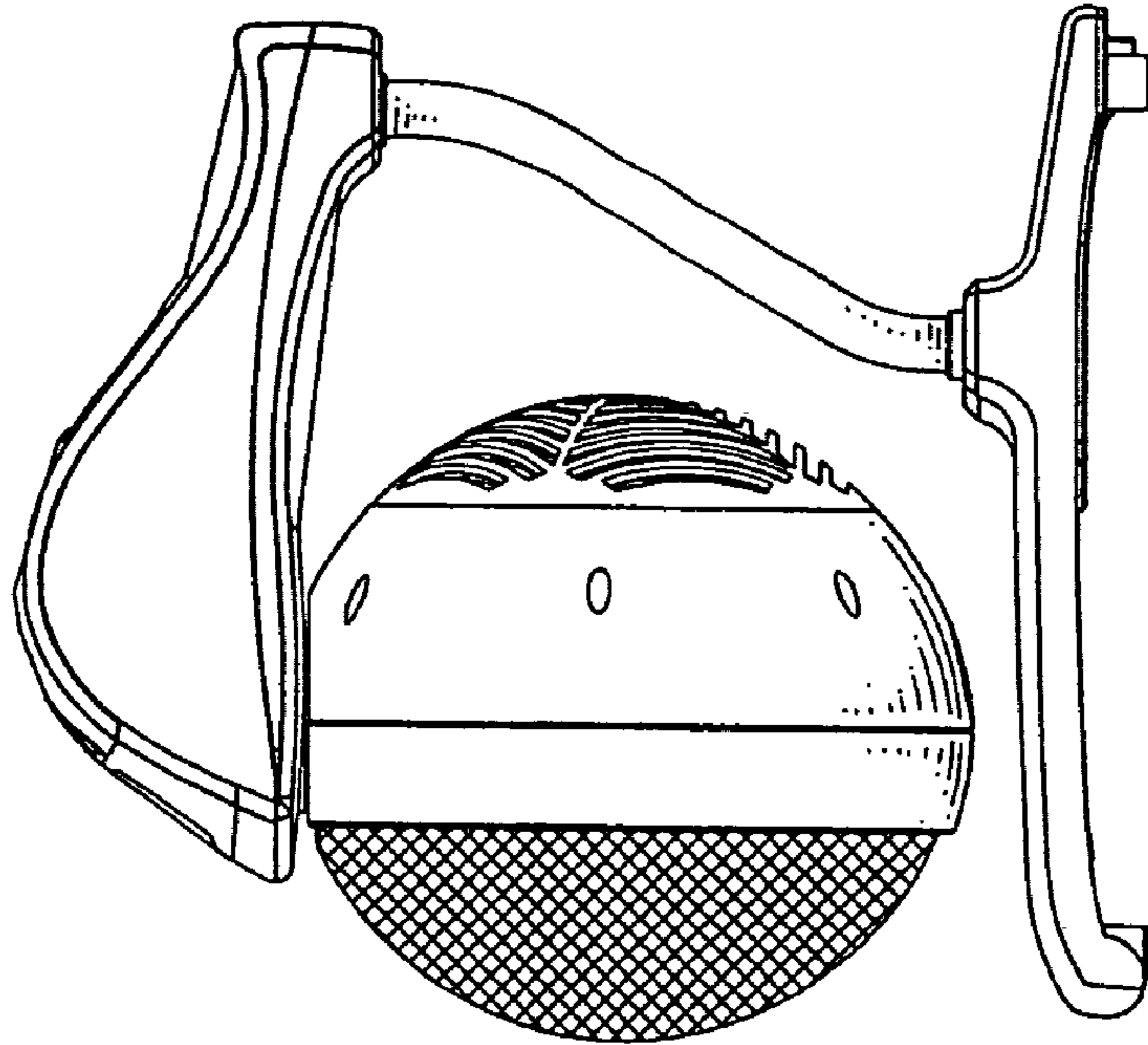


FIG. 3

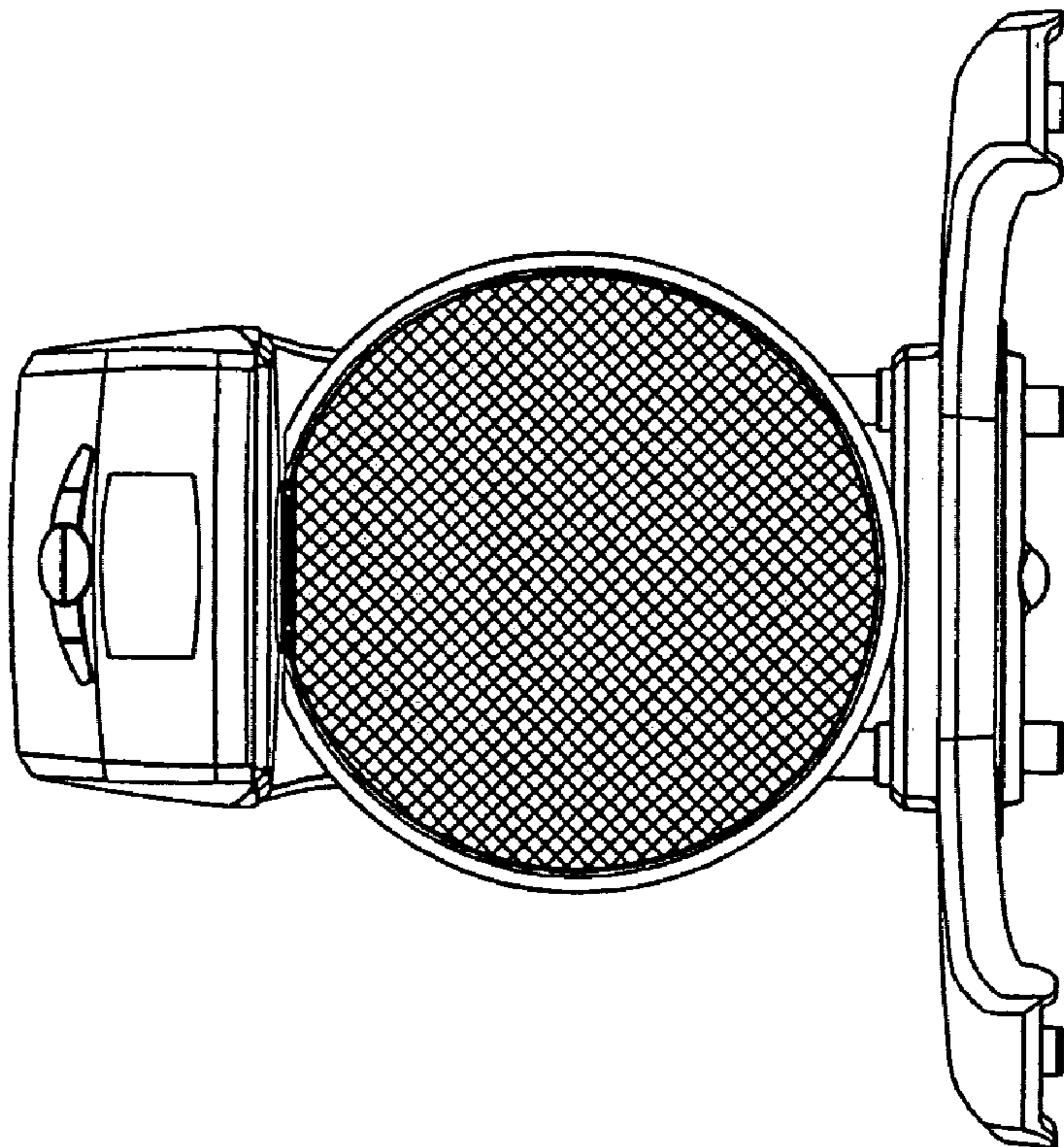


FIG. 2

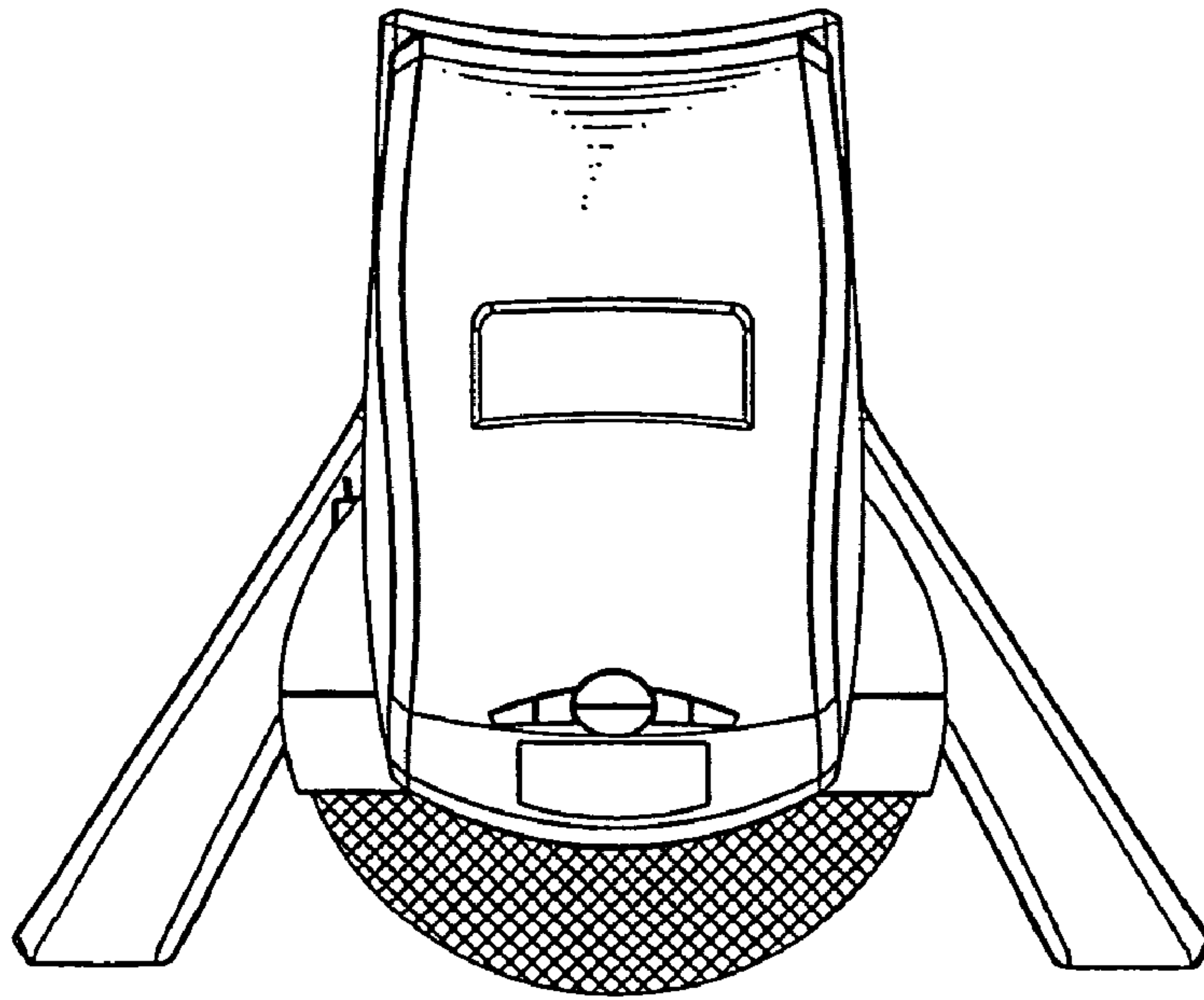


FIG. 4

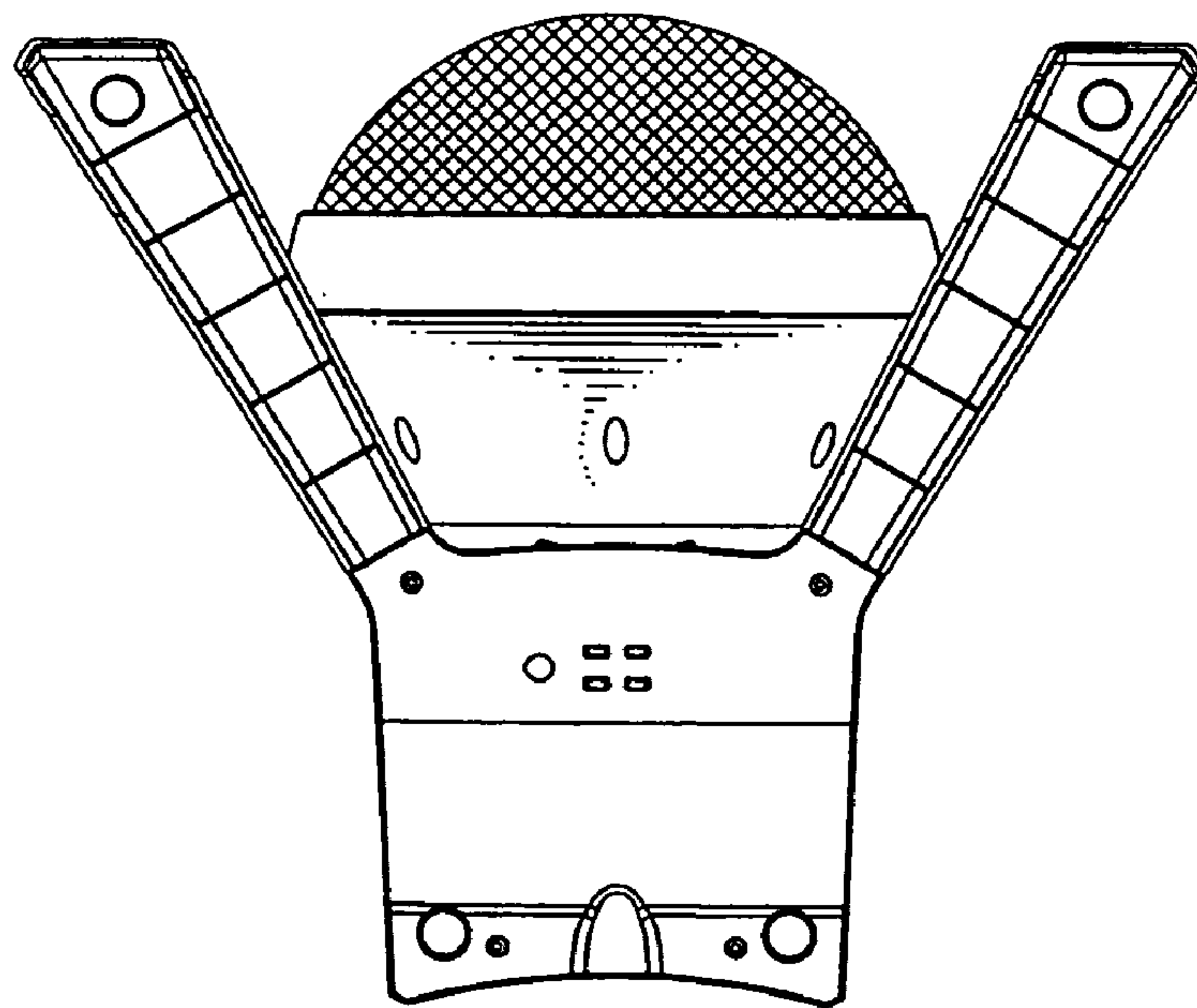


FIG. 5

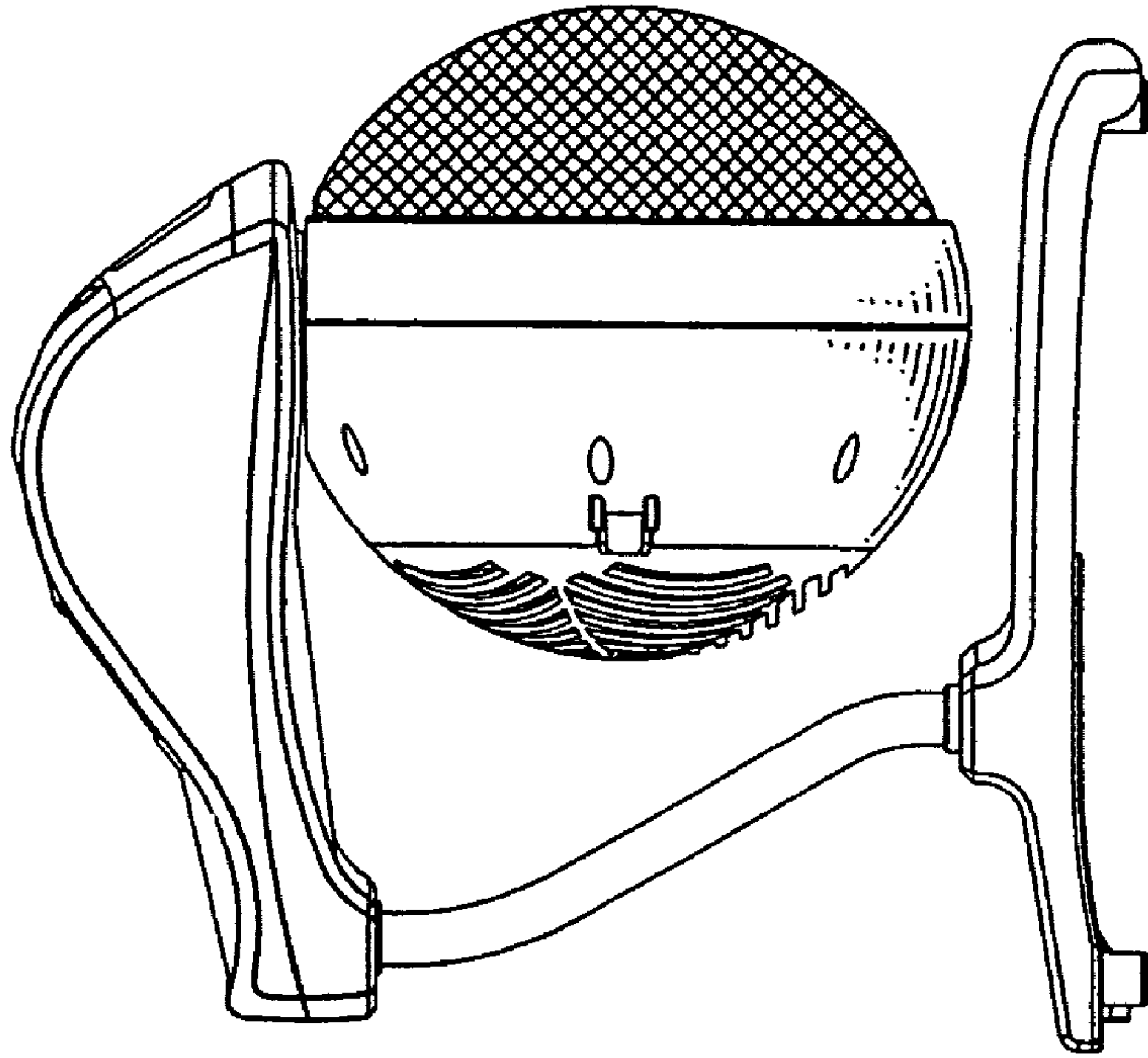


FIG. 7

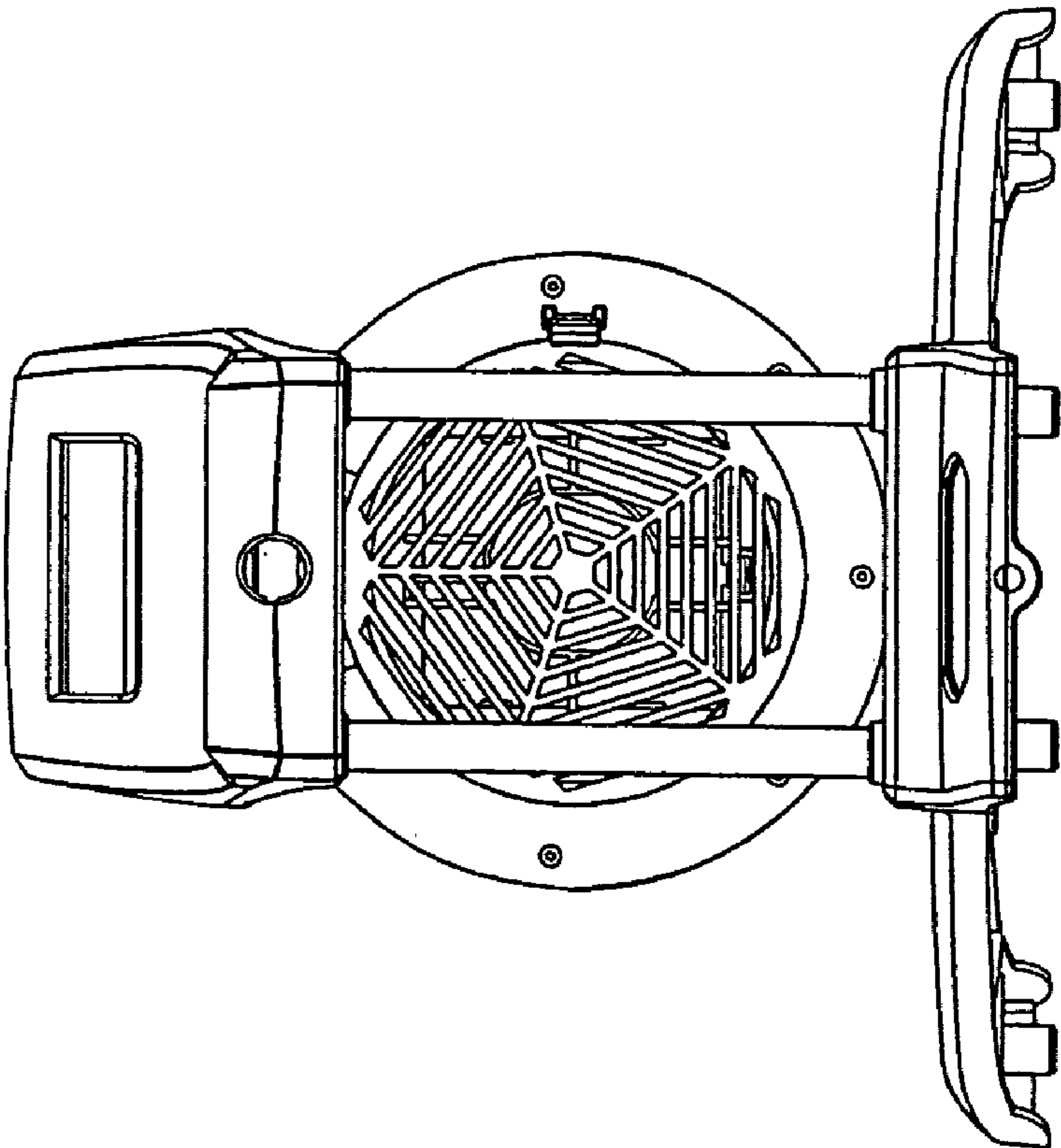


FIG. 6