



US00D545948S

(12) **United States Design Patent**
Cummings

(10) **Patent No.:** **US D545,948 S**

(45) **Date of Patent:** **** Jul. 3, 2007**

(54) **URINAL**

D396,095 S * 7/1998 Tilton et al. D23/302
5,920,920 A * 7/1999 Chi 4/437

(75) Inventor: **Stephen John Cummings**, Newport (AU)

(73) Assignee: **Caroma Industries Limited**, Brisbane, Queensland (AU)

* cited by examiner

Primary Examiner—Robert A. Delehanty
(74) *Attorney, Agent, or Firm*—Merchant & Gould P.C.

(**) Term: **14 Years**

(21) Appl. No.: **29/252,199**

(57) **CLAIM**

(22) Filed: **Jan. 18, 2006**

The ornamental design for a urinal, as shown and described.

(30) **Foreign Application Priority Data**

Jul. 27, 2005 (AU) 13190/05

DESCRIPTION

(51) **LOC (8) Cl.** **23-02**

(52) **U.S. Cl.** **D23/302**

(58) **Field of Classification Search** D23/274,
D23/302, 303, 309; 4/664, 301–310, 454,
4/462, 144.1–144.4; D24/122

See application file for complete search history.

FIG. 1. is a Left Hand Side View showing my new design;

FIG. 2 is a Top View thereof;

FIG. 3 is a Front View thereof

FIG. 4 is a Bottom View thereof;

FIG. 5 is a Right Hand Side View thereof;

FIG. 6 is a Rear View thereof; and,

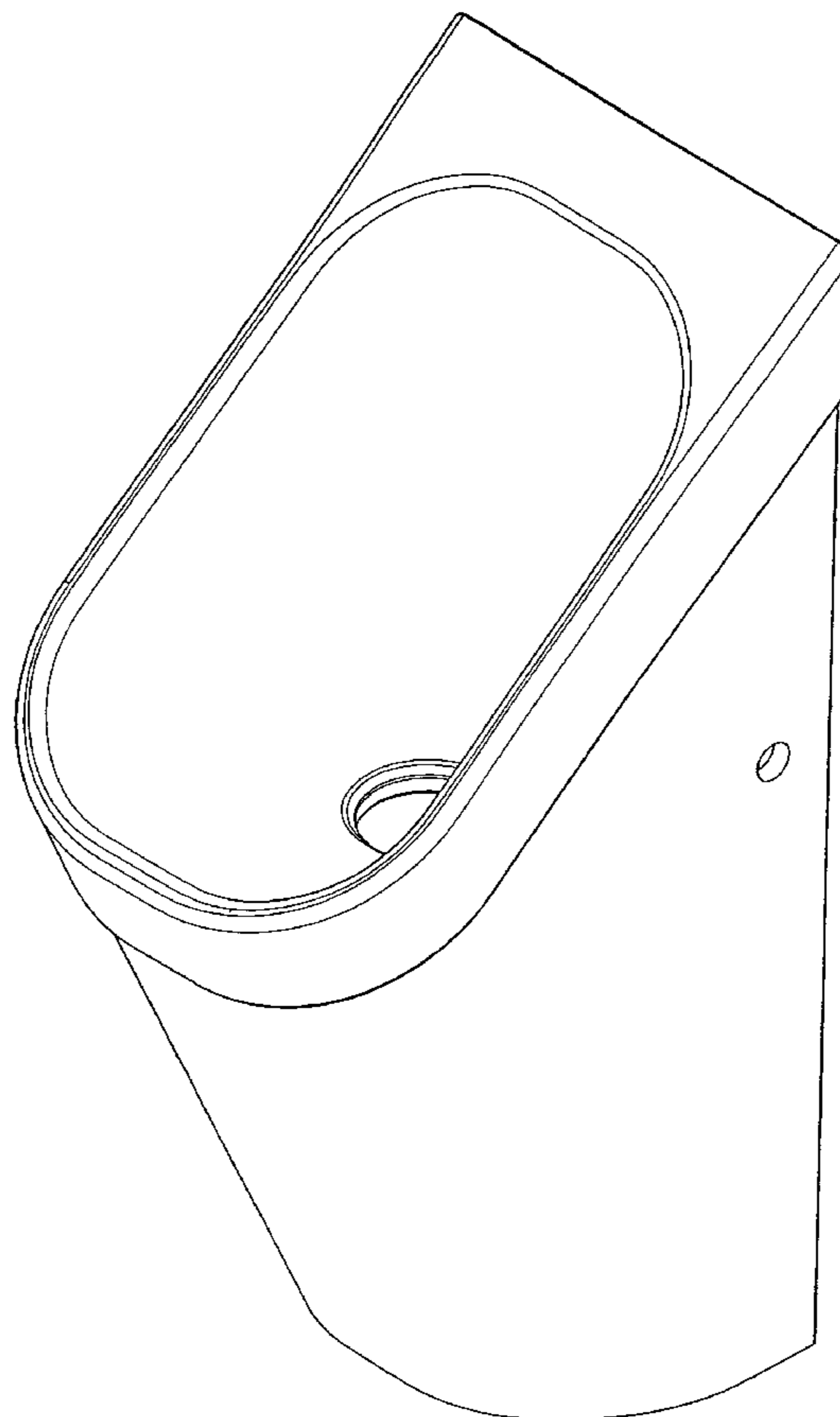
FIG. 7 is a Perspective View thereof.

(56) **References Cited**

U.S. PATENT DOCUMENTS

D352,349 S * 11/1994 Kergoet et al. D23/302

1 Claim, 2 Drawing Sheets



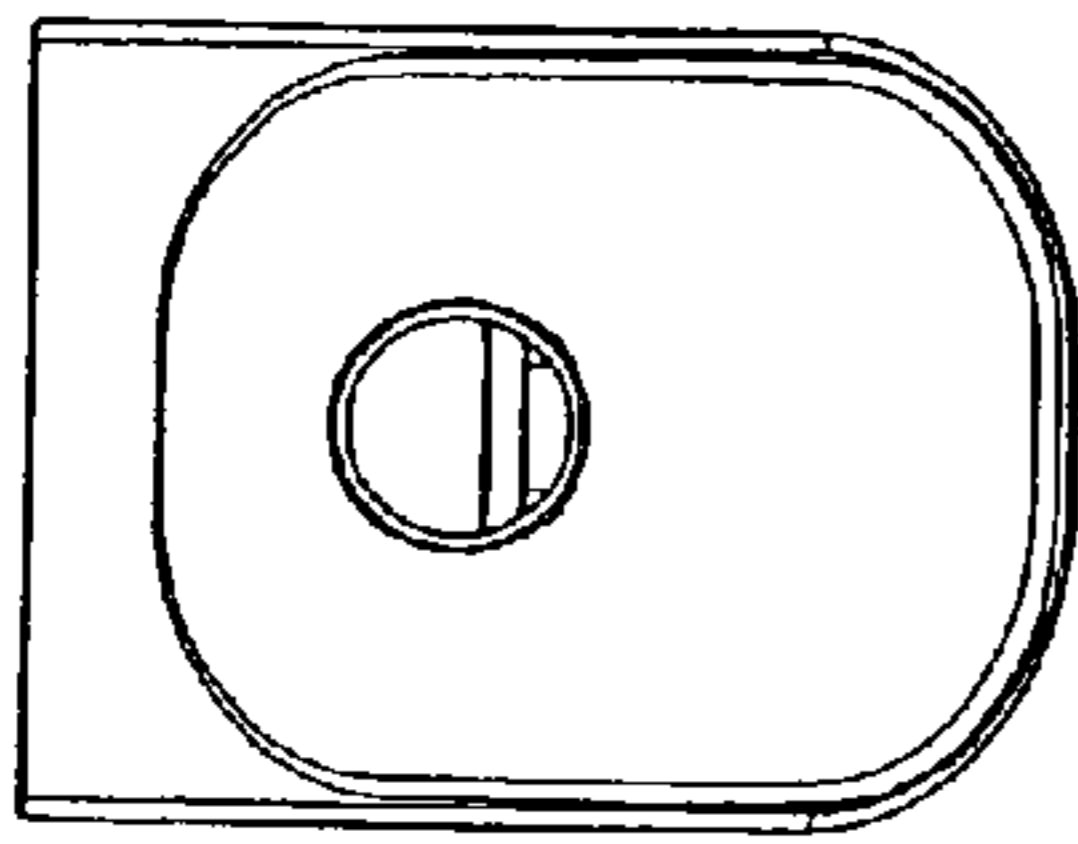


FIG. 2

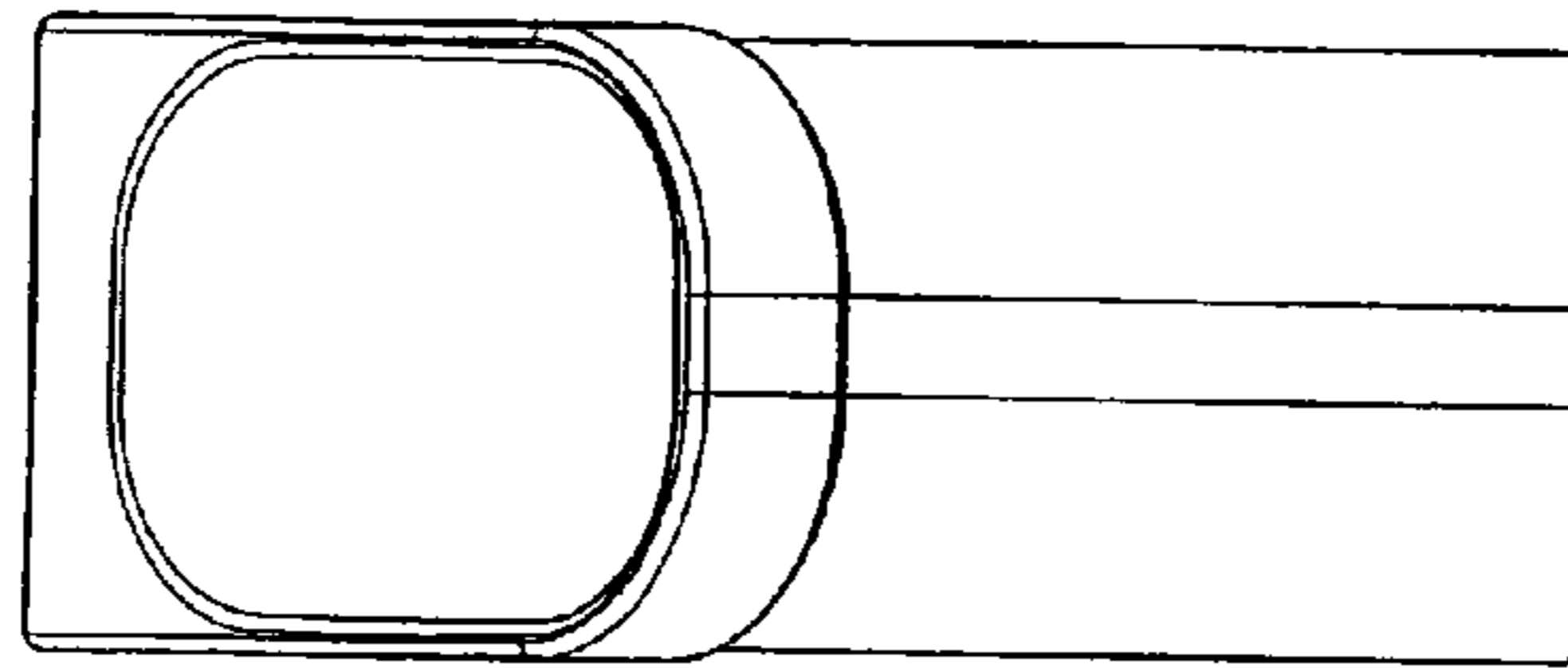


FIG. 3

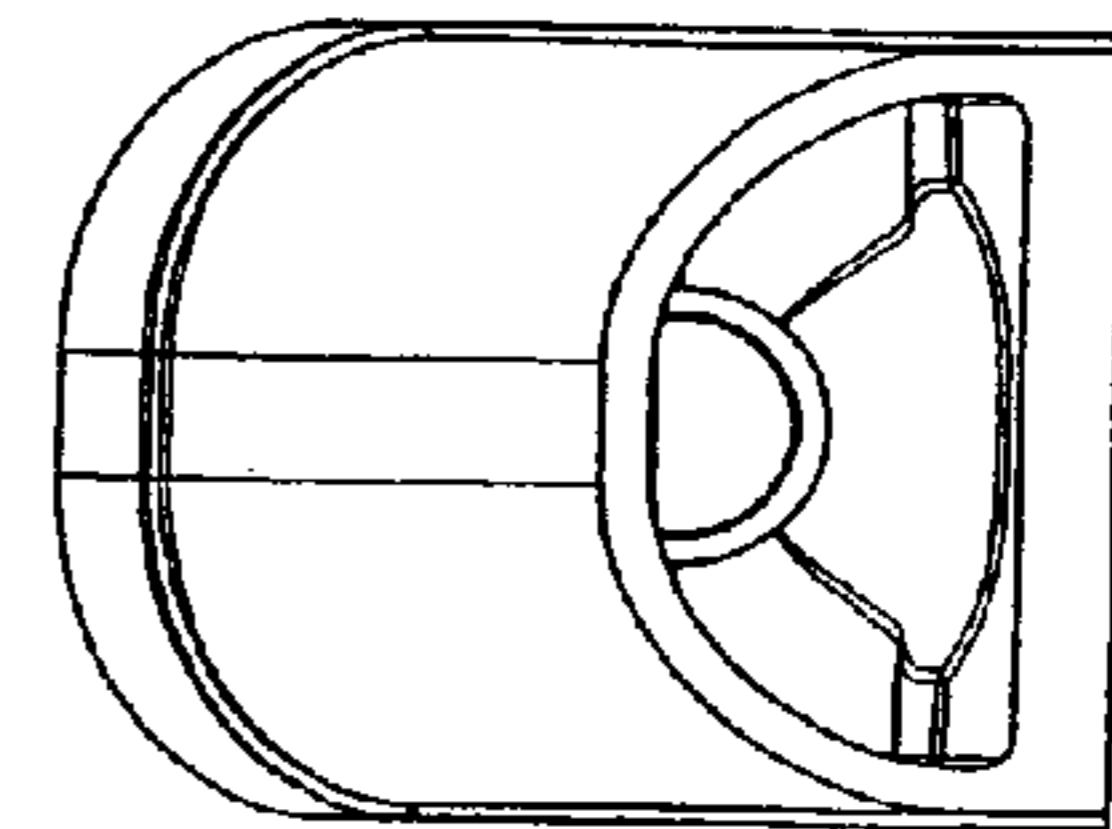


FIG. 4

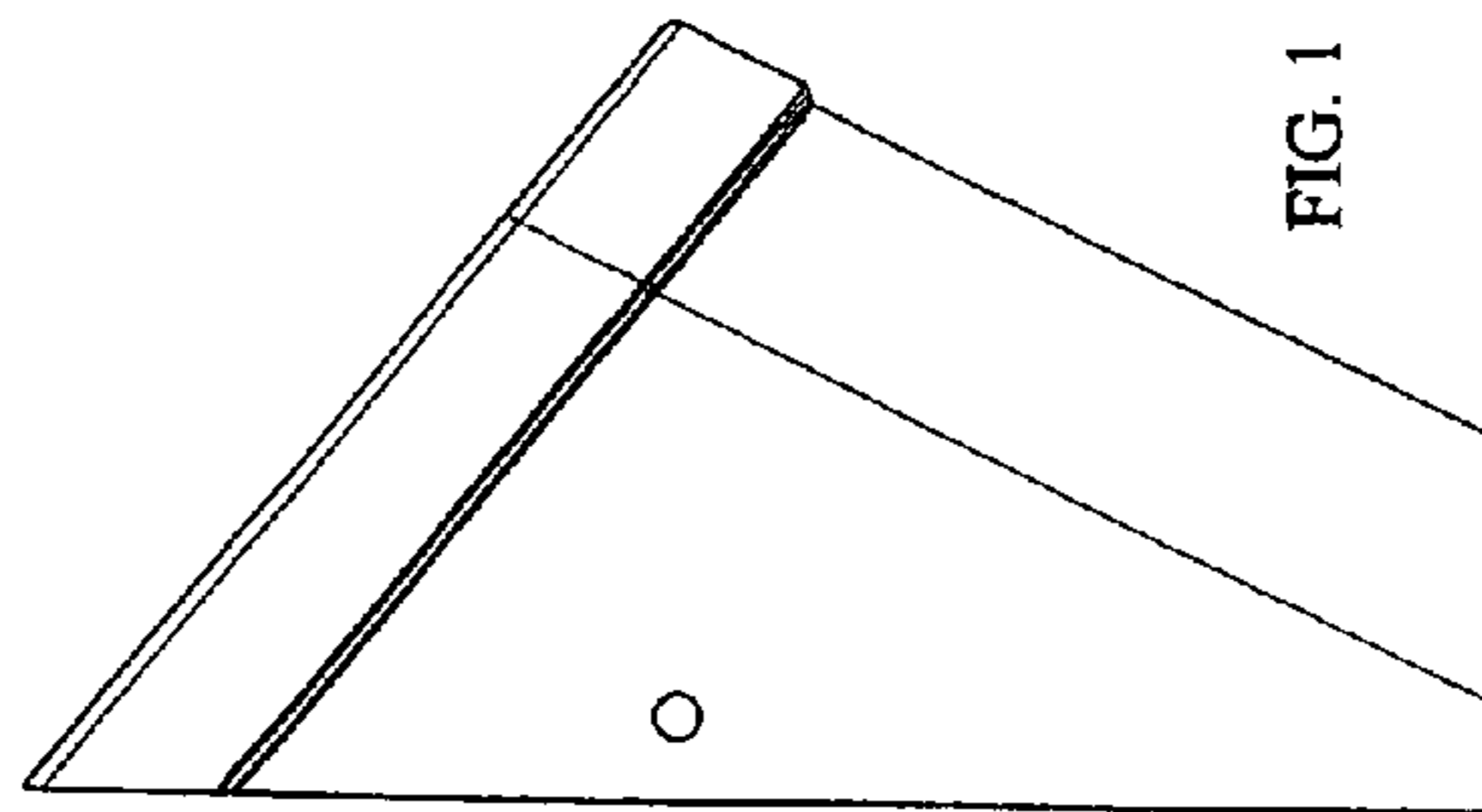


FIG. 1

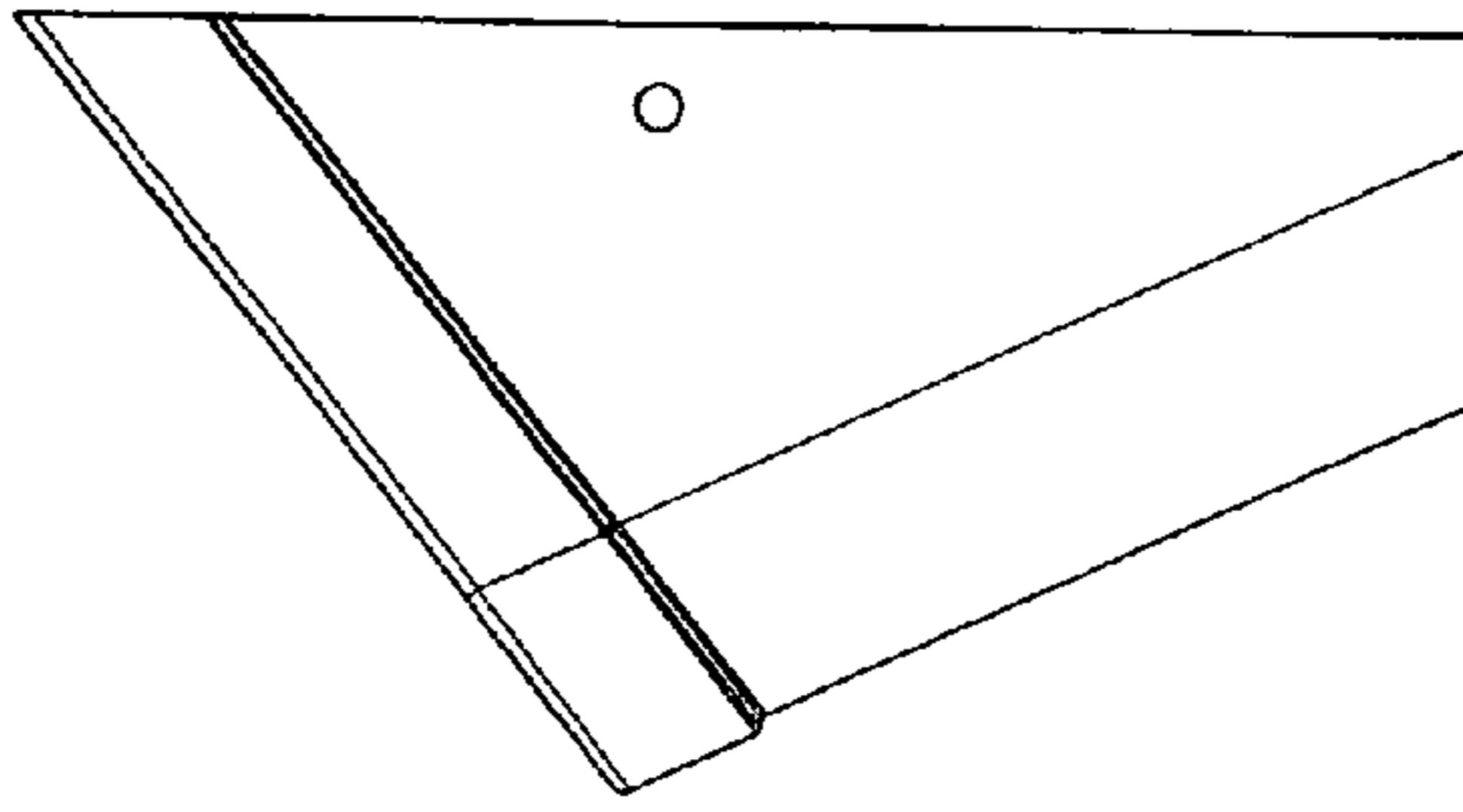


FIG. 5

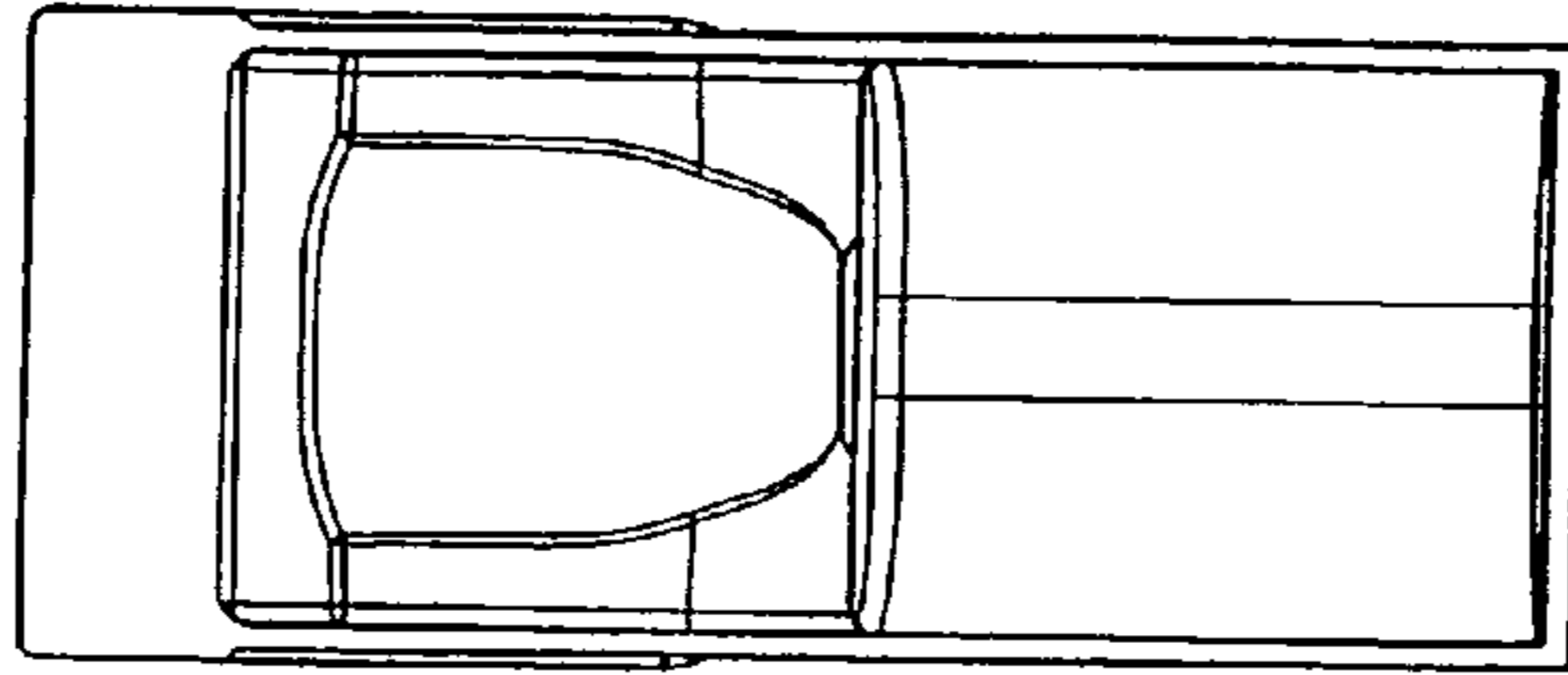


FIG. 6

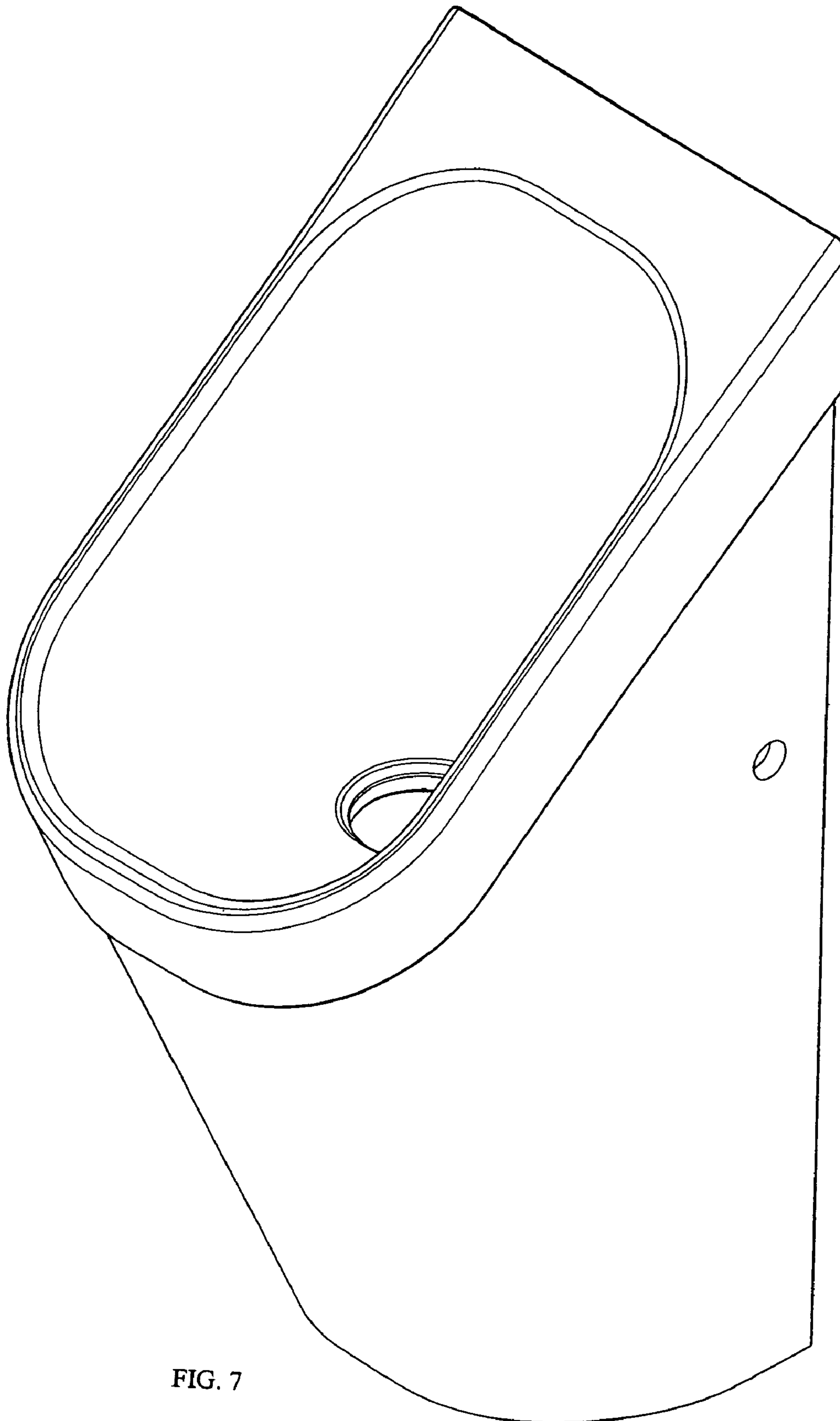


FIG. 7