



US00D545947S

(12) **United States Design Patent**
Bruce

(10) **Patent No.:** **US D545,947 S**

(45) **Date of Patent:** **** Jul. 3, 2007**

(54) **SINK**

(75) **Inventor:** **Shawn Ian Bruce**, Los Angeles, CA
(US)

(73) **Assignee:** **Jason International, Inc.**, North Little
Rock, AR (US)

(**) **Term:** **14 Years**

(21) **Appl. No.:** **29/246,517**

(22) **Filed:** **Apr. 20, 2006**

(51) **LOC (8) Cl.** **23-02**

(52) **U.S. Cl.** **D23/293.1**

(58) **Field of Classification Search** D23/270–273,
D23/284–287, 289, 291–293.1, 303, 308;
4/619, 630–631, 637, 661; D21/524
See application file for complete search history.

(56) **References Cited**

U.S. PATENT DOCUMENTS

54,741 A	5/1866	Knoenke	
189,559 A	4/1877	Holmes	
320,037 A	6/1885	Allen	
D24,520 S	7/1895	Torrance	
D24,709 S	9/1895	Gavin	
D35,008 S *	8/1901	Clow D23/293.1
D36,881 S	4/1904	Weelans	
1,049,917 A	1/1913	Reed	
1,315,643 A	9/1919	Schwartz	
1,393,310 A	10/1921	Palmer	
2,432,832 A	12/1947	Tamborello	
D160,918 S *	11/1950	Berner D24/123
D185,787 S	8/1959	Menghi	
3,029,446 A *	4/1962	Just 4/633
D222,460 S	10/1971	Anderson	
D222,461 S	10/1971	Anderson	
D222,462 S	10/1971	Anderson	
D222,463 S	10/1971	Anderson	
D222,464 S	10/1971	Anderson	
D226,562 S *	3/1973	Zakaski D23/271

3,720,963 A	3/1973	Zakaski	
3,775,779 A *	12/1973	Kohler 4/628
D235,105 S	5/1975	Doman	
D235,106 S	5/1975	Doman	
D276,456 S	11/1984	Primault	

(Continued)

Primary Examiner—Robert A. Delehanty

(74) *Attorney, Agent, or Firm*—Banner & Witcoff, Ltd.

(57) **CLAIM**

The ornamental design for a sink, as shown and described.

DESCRIPTION

FIG. 1 is a perspective view of a sink with a cover in an in-use position showing my new design;

FIG. 2 is a side view thereof;

FIG. 3 is a sectional view of the sink and cover taken along a centerline thereof;

FIG. 4 is a top plan view illustrating the circular space of the sink and cover thereof;

FIG. 5 is a bottom view thereof;

FIG. 6 is a perspective view of the sink of FIGS. 1-5 showing my new design with the cover removed to show the exterior surface of the sink;

FIG. 7 is a side view thereof;

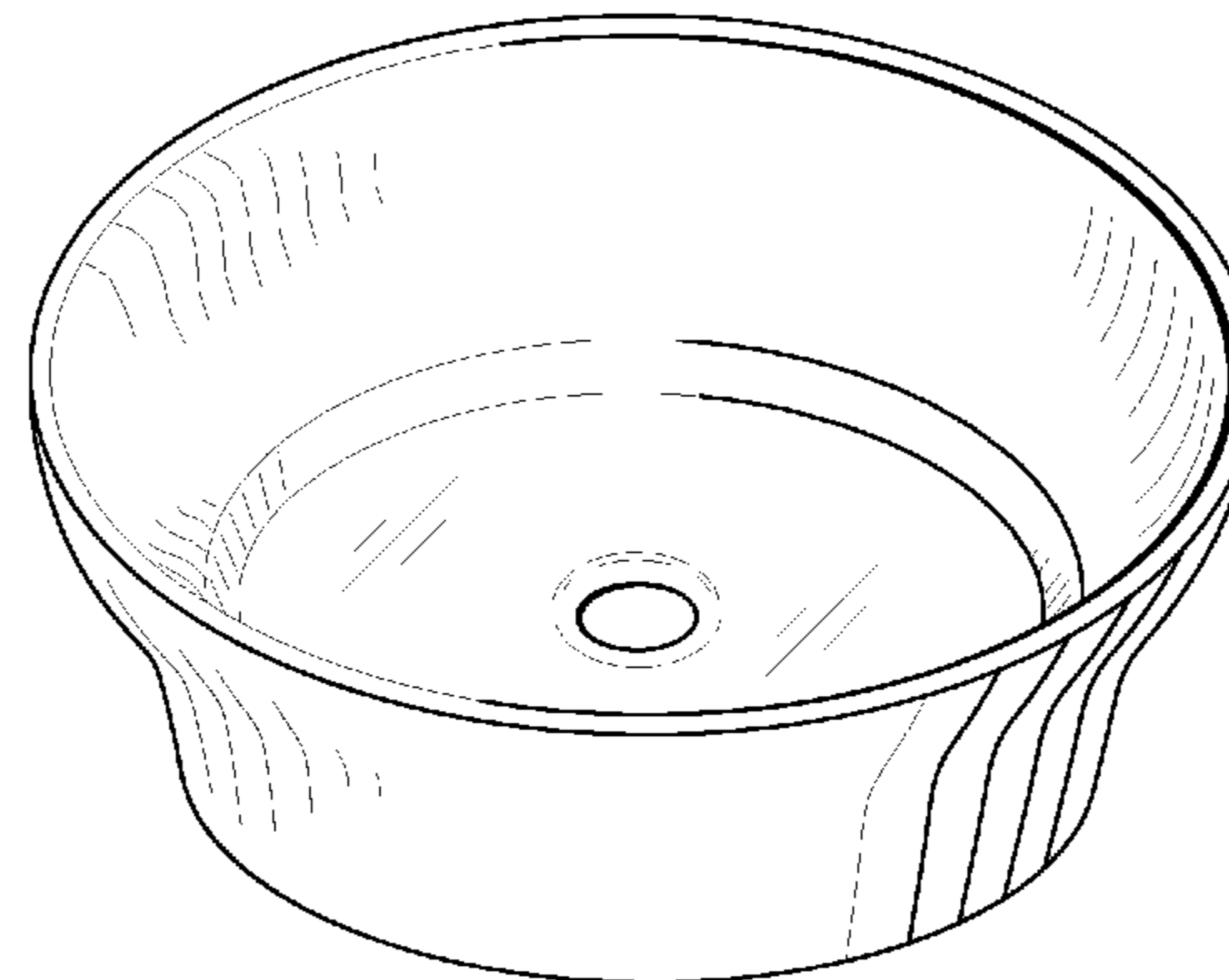
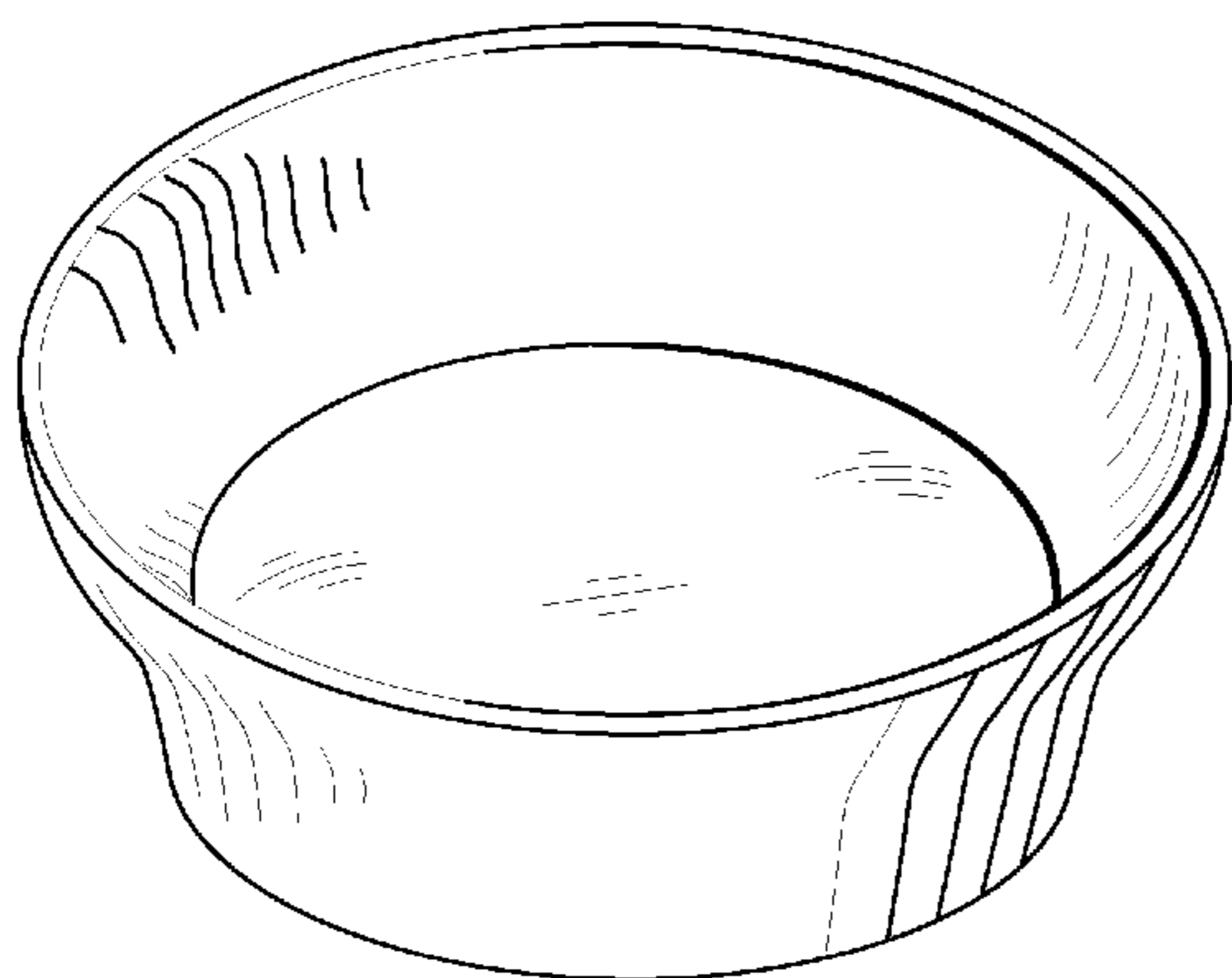
FIG. 8 is a sectional view of the sink taken along a centerline thereof;

FIG. 9 is a top plan view illustrating the circular shape of the sink and concentric nature of the drain hole with shape of the sink thereof; and,

FIG. 10 is a bottom view thereof.

The cross-sectional surfaces of the sink and cover shown in the sectional views form no part of the claimed design. The sectional views are provided to illustrate the configuration of the exterior surface of the claimed design.

1 Claim, 4 Drawing Sheets



US D545,947 S

Page 2

U.S. PATENT DOCUMENTS

D288,351 S	2/1987	Smith	D444,861 S	7/2001	Smith
D295,671 S	5/1988	Kohler, Jr.	D446,288 S	8/2001	McKeone et al.
D295,781 S	5/1988	Hubel	D451,986 S	12/2001	Marshall et al.
D298,452 S	* 11/1988	Carter D23/293.1	D462,114 S	* 8/2002	Soulier D23/293.1
4,937,899 A	7/1990	Morris et al.	D487,501 S	3/2004	Ruxchaivan
D314,611 S	2/1991	Doman et al.	D487,502 S	3/2004	Ruxchaivan
D317,354 S	6/1991	Taylor	D488,853 S	4/2004	Jones
D323,380 S	1/1992	Stairs, Jr.	D498,522 S	11/2004	Lanius
D324,260 S	2/1992	Stairs, Jr.	D503,779 S	4/2005	Turcotte et al.
D324,262 S	2/1992	Stairs, Jr.	D506,814 S	6/2005	Alger
D328,124 S	7/1992	Juntunen	D507,040 S	7/2005	Ferrer Beltran
D349,561 S	8/1994	Dowse et al.	D508,282 S	8/2005	Alger
D362,050 S	9/1995	Jacuzzi	D513,064 S	* 12/2005	Zetsche D23/291
D393,055 S	3/1998	Thomas	D530,803 S	* 10/2006	Piatt D23/308
D409,294 S	5/1999	Svendsen			

* cited by examiner

FIG. 1

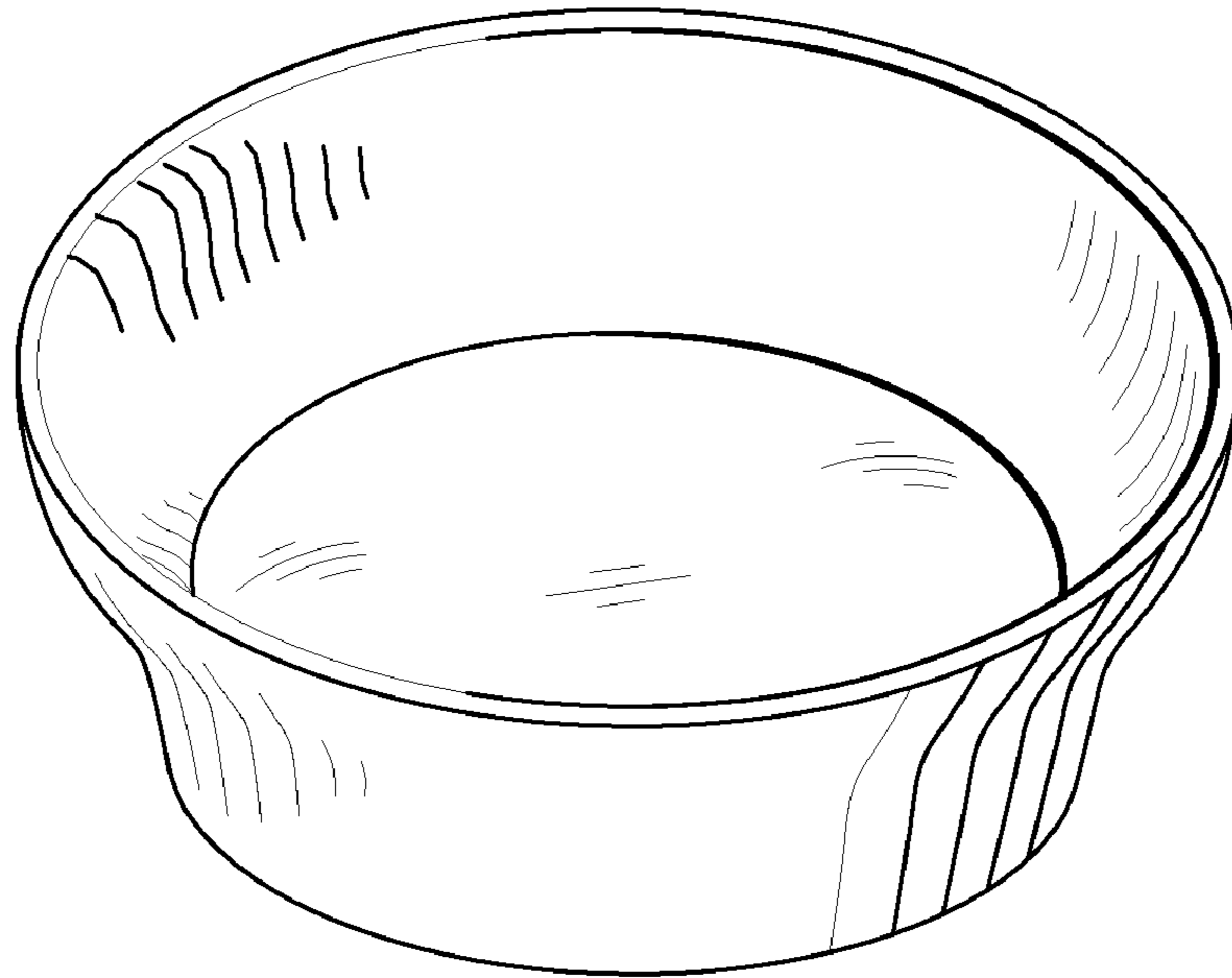


FIG. 2

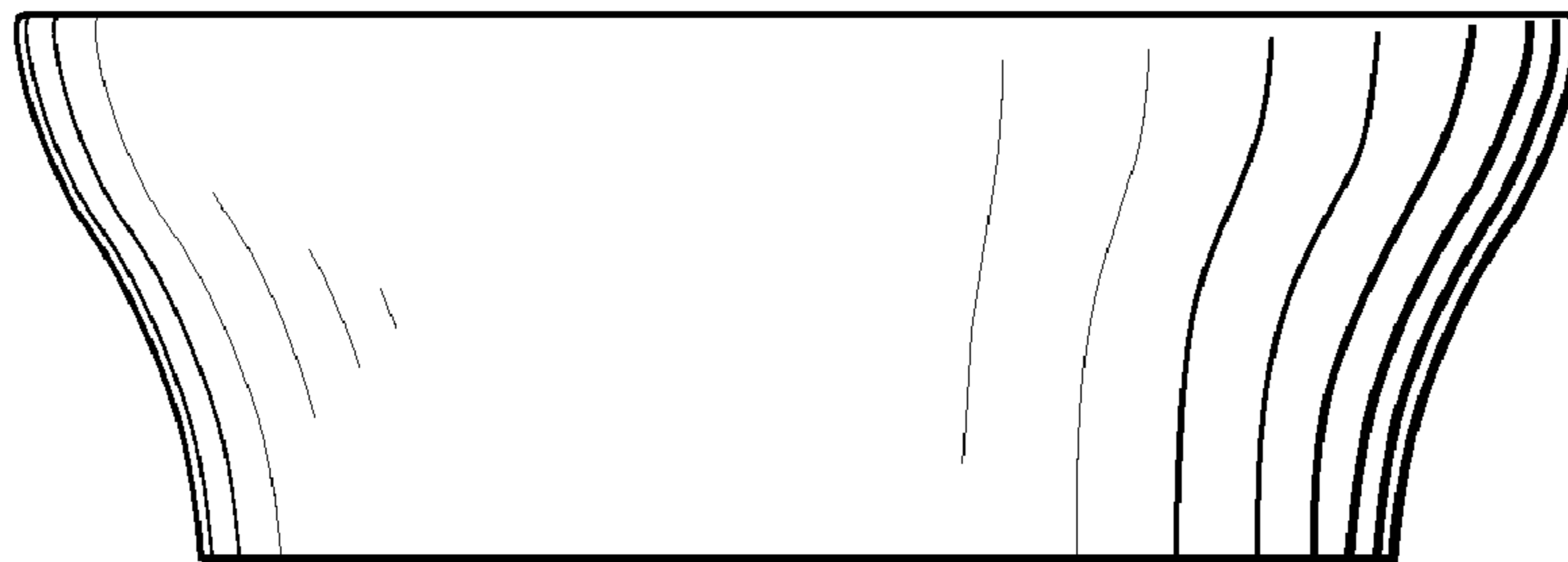


FIG. 3

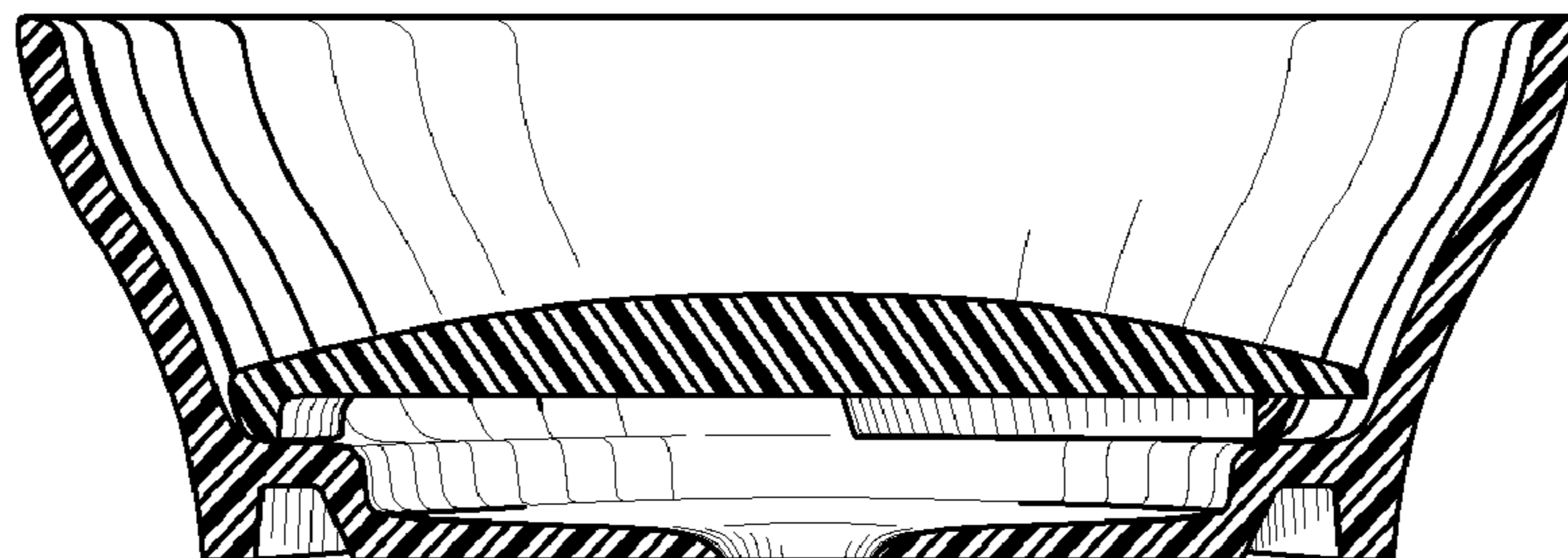


FIG. 4

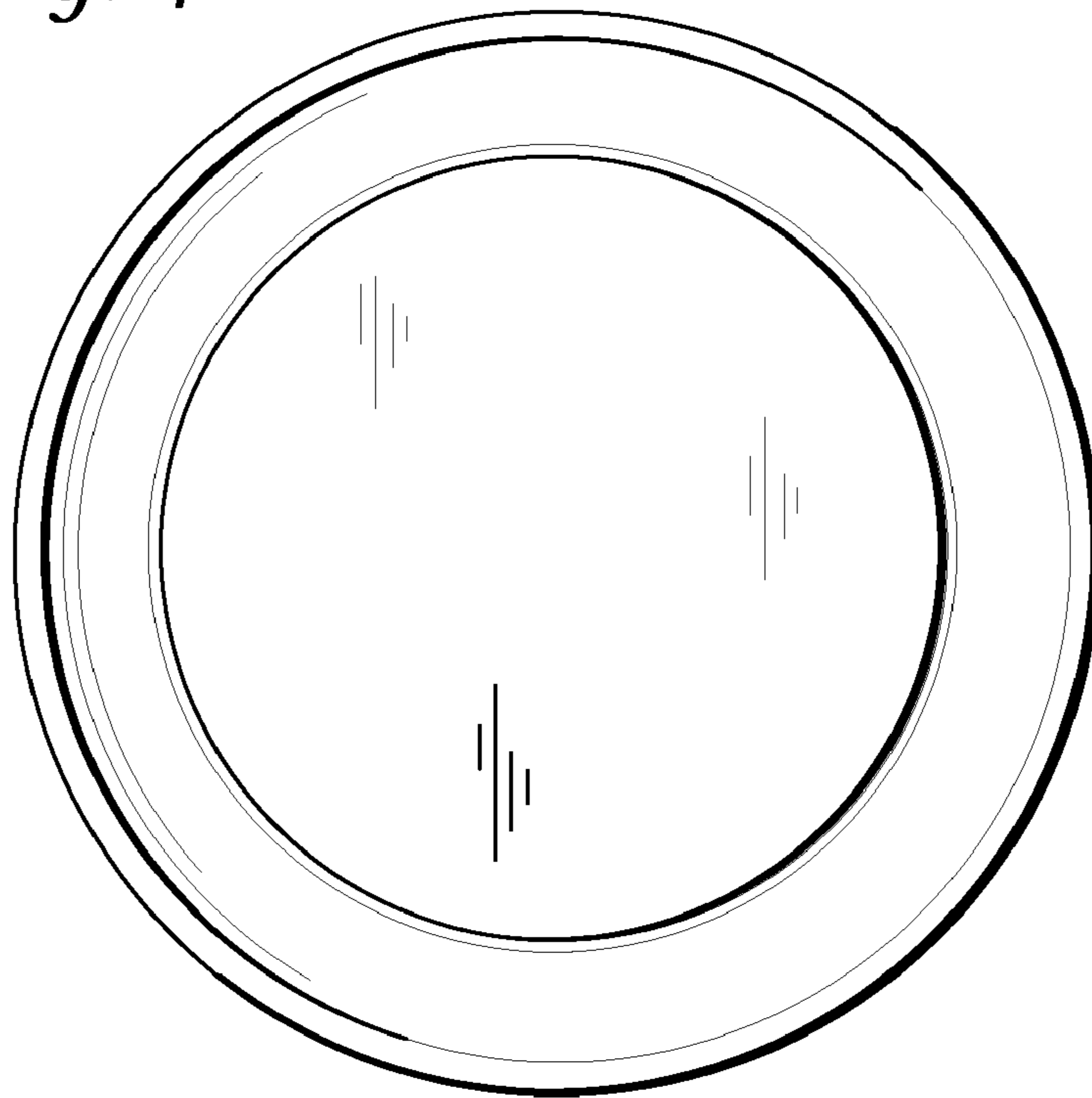


FIG. 5

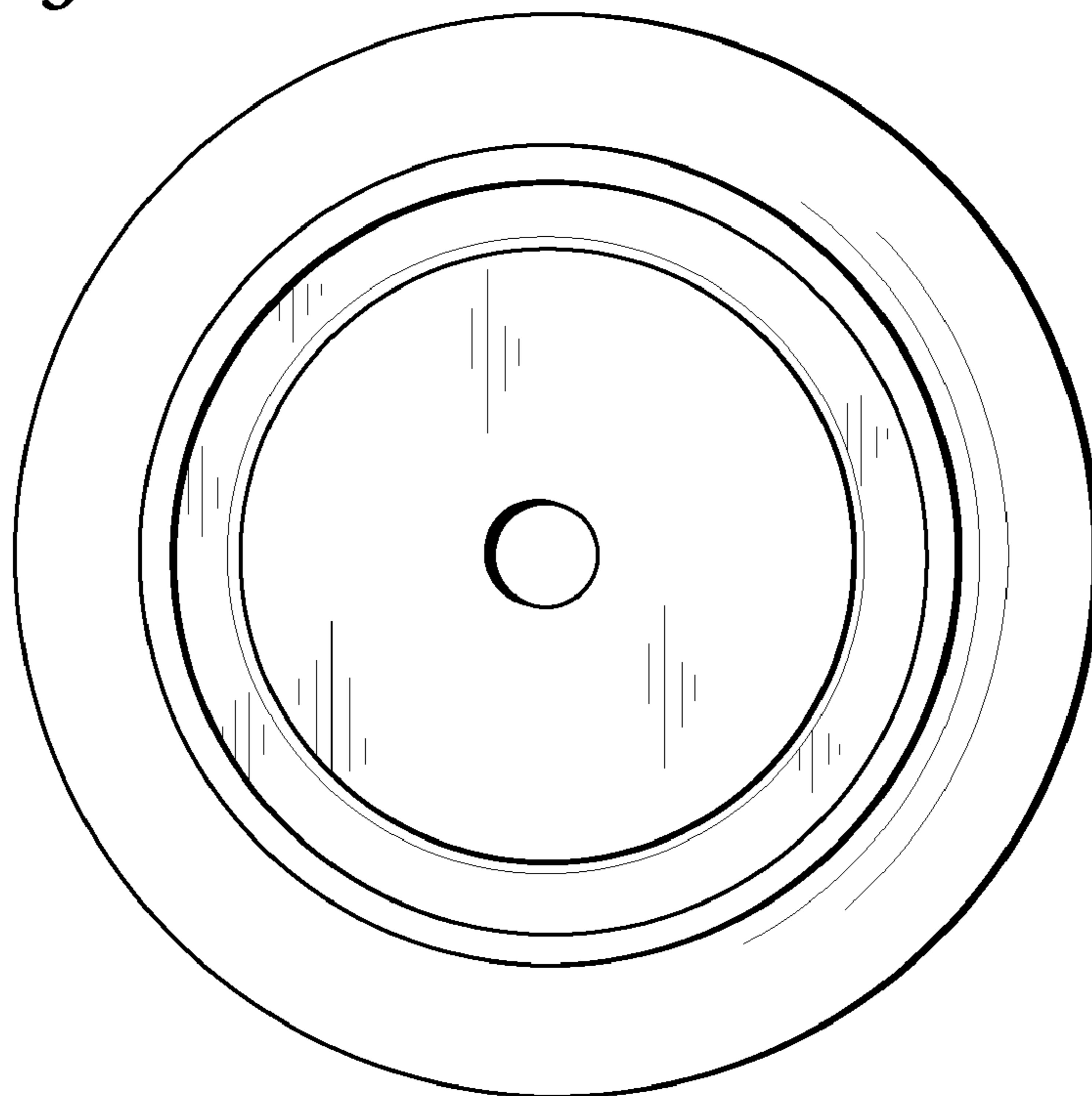


FIG. 6

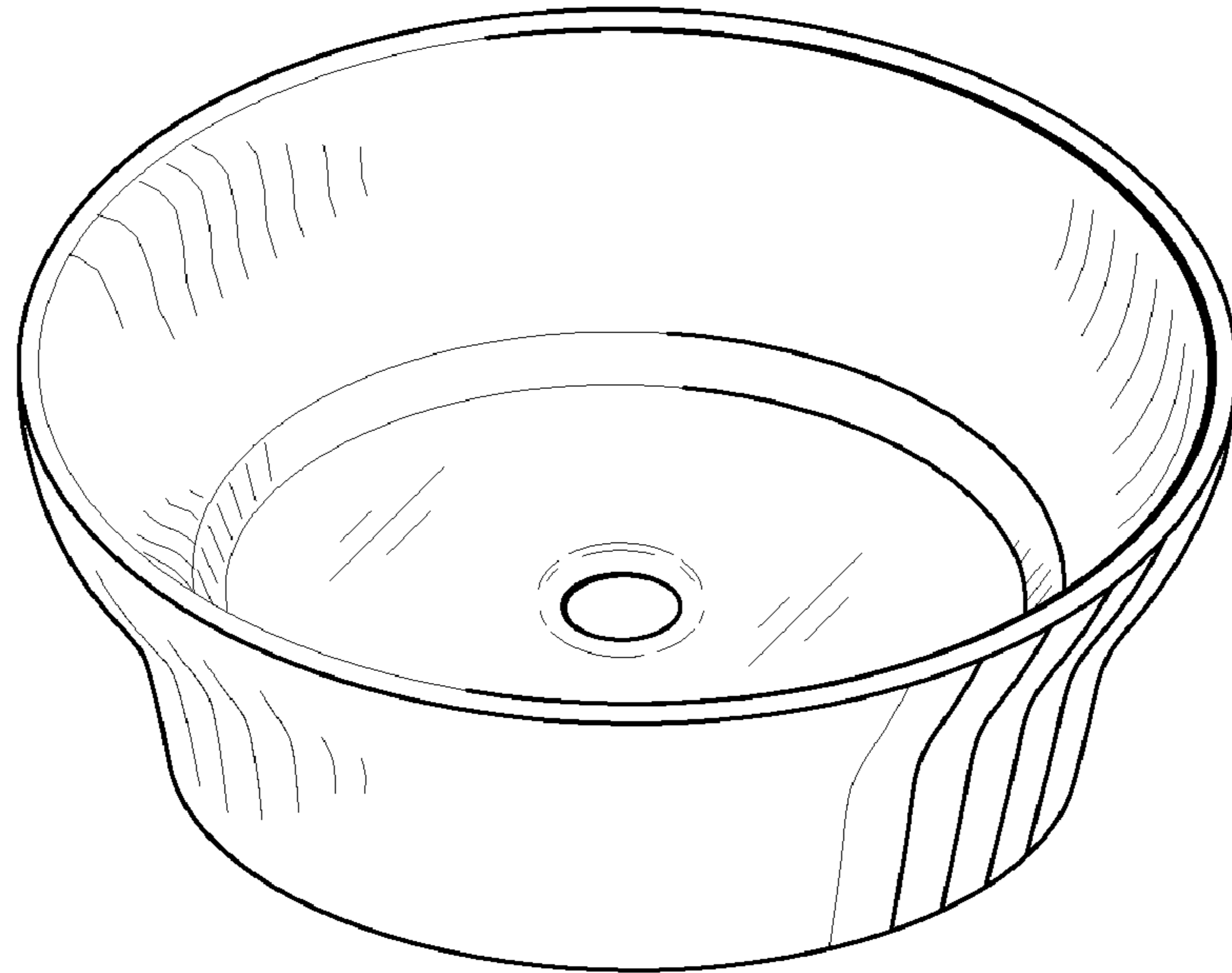


FIG. 7

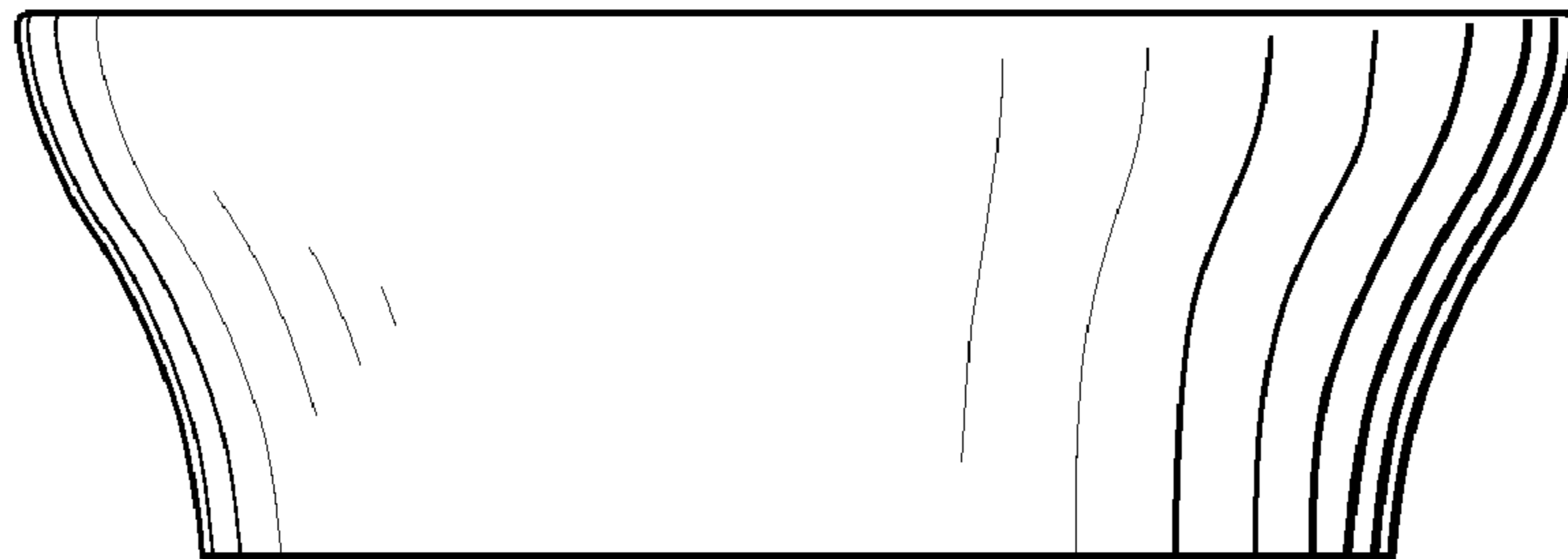


FIG. 8

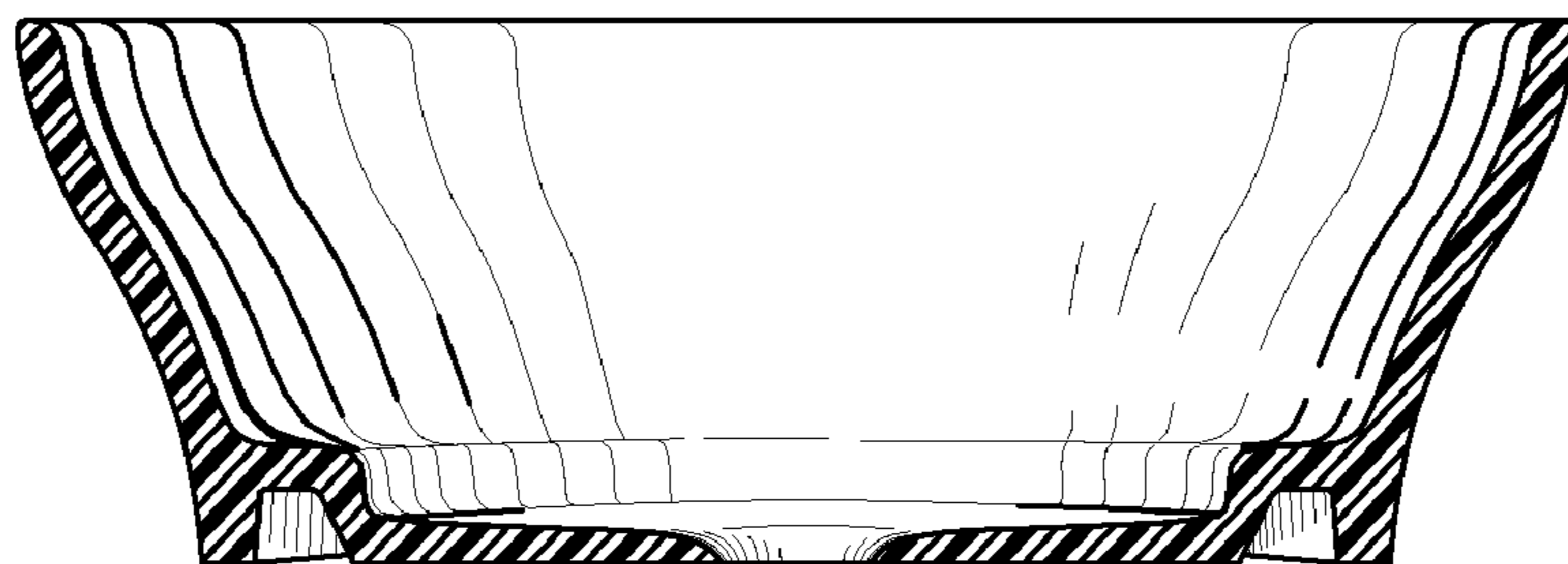


FIG. 9

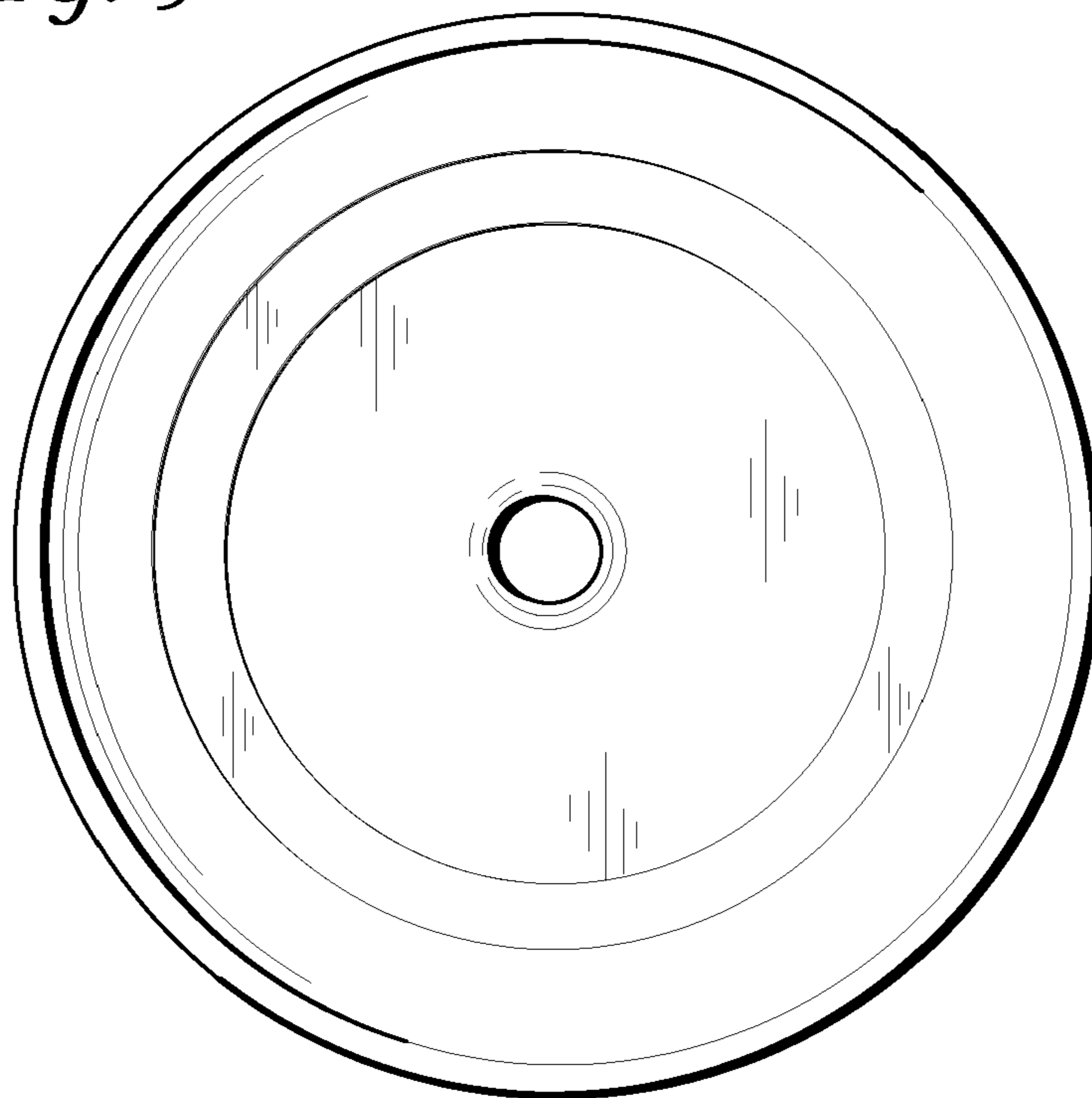


FIG. 10

