

US00D545946S

(12) **United States Design Patent**
Kemp

(10) **Patent No.:** **US D545,946 S**

(45) **Date of Patent:** **** Jul. 3, 2007**

(54) **SPOUT PORTION**

(75) Inventor: **Douglas A. Kemp**, North Ridgeville,
OH (US)

(73) Assignee: **Moen Incorporated**, North Olmsted,
OH (US)

(**) Term: **14 Years**

(21) Appl. No.: **29/259,838**

(22) Filed: **May 15, 2006**

Related U.S. Application Data

(63) Continuation of application No. 29/201,526, filed on
Mar. 17, 2004, now Pat. No. Des. 521,126.

(51) **LOC (8) Cl.** **23-01**

(52) **U.S. Cl.** **D23/249; D23/255**

(58) **Field of Classification Search** D23/238-257;
4/675-678; 137/801

See application file for complete search history.

(56) **References Cited**

U.S. PATENT DOCUMENTS

D53,558 S	7/1919	Bloch
D149,196 S	4/1948	Little et al.
D227,762 S	7/1973	Arbon
D263,991 S	4/1982	Fleischmann et al.
D280,543 S	9/1985	Paul
D301,053 S	5/1989	Rodstein
D311,438 S	10/1990	Strignano
D312,681 S	12/1990	Kohler, Jr. et al.
D318,099 S	7/1991	Reid et al.
D319,685 S	9/1991	Kohler, Jr. et al.
D321,039 S	10/1991	Robbins
D321,752 S	11/1991	Paul
D326,504 S	5/1992	Robbins
D340,507 S	10/1993	McKeone

D349,326 S	8/1994	Bollenbacher	
D350,183 S	8/1994	Joerger	
D352,095 S *	11/1994	Bollenbacher D23/255
D353,653 S	12/1994	McKeone	
D357,730 S	4/1995	Saperstein	
D372,764 S	8/1996	Dubin	
D375,149 S	10/1996	Robbins	
D380,809 S *	7/1997	Warshawsky D23/238
D414,546 S	9/1999	Cosolito et al.	

(Continued)

Primary Examiner—Louis S. Zarfes

Assistant Examiner—Gregory Andoll

(74) *Attorney, Agent, or Firm*—Calfee, Halter & Griswold
LLP

(57) **CLAIM**

The ornamental design for a spout portion, as shown and
described.

DESCRIPTION

FIG. 1 is a perspective view of a spout portion of the new
design;

FIG. 2 is a left side elevational view of the spout portion of
FIG. 1;

FIG. 3 is a front elevational view of the spout portion of FIG.
1;

FIG. 4 is a top plan view of the spout portion of FIG. 1;

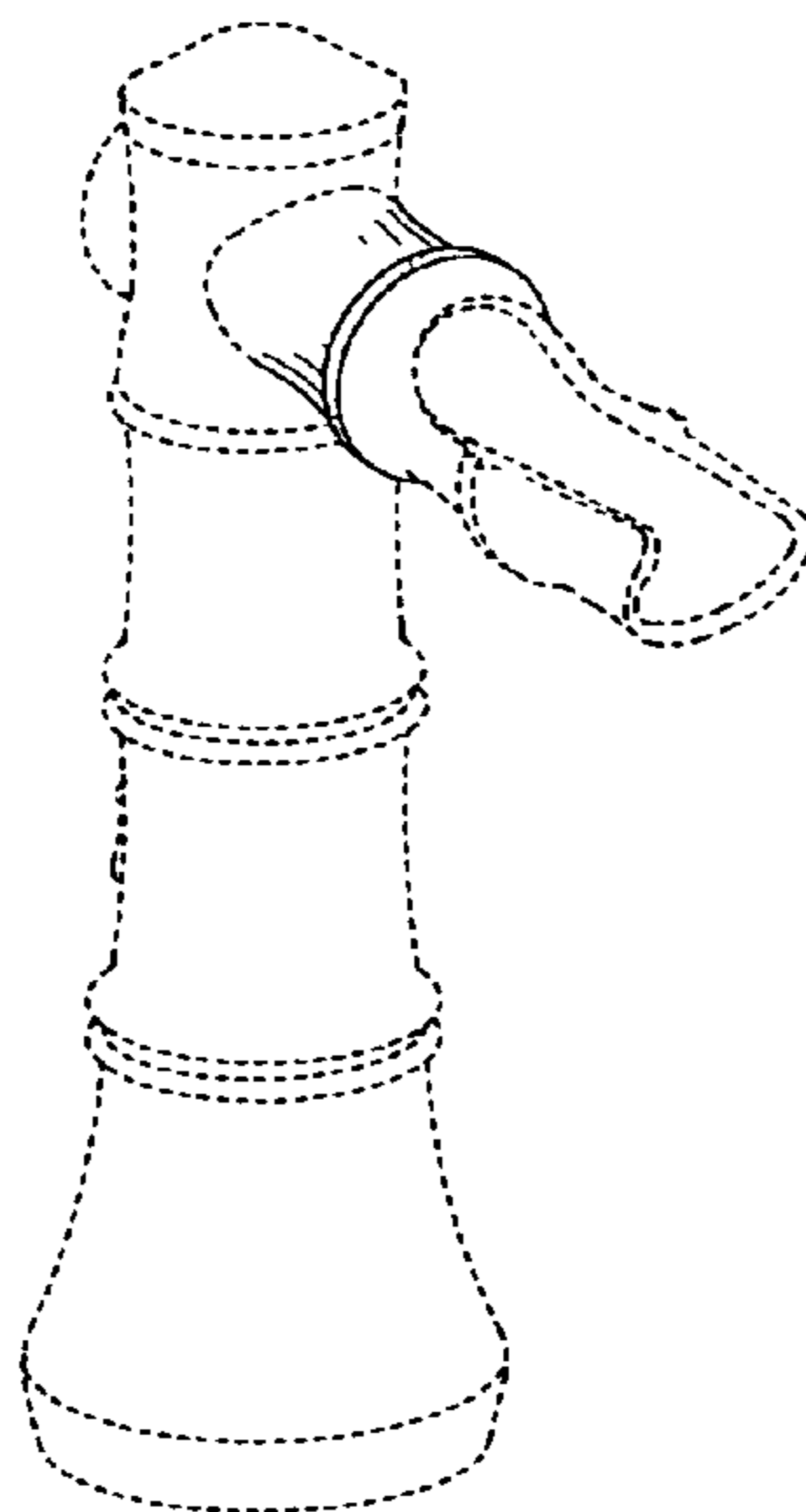
FIG. 5 is a right side elevational view of the spout portion
of FIG. 1;

FIG. 6 is a rear elevational view of the spout portion of FIG.
1; and,

FIG. 7 is a bottom plan view of the spout portion of FIG. 1.

The portions of the Figures shown in broken lines are not
part of the claimed design and are for illustration only.

1 Claim, 2 Drawing Sheets



US D545,946 S

Page 2

U.S. PATENT DOCUMENTS

D417,490 S	12/1999	Formgren	D478,149 S	8/2003	Friedrich	
D420,430 S	2/2000	Lobermeier	D478,153 S	8/2003	Friedrich	
D441,060 S	4/2001	Lefroy-Brooks	D478,371 S	8/2003	Ouyoung	
D444,860 S	7/2001	Slothower	D479,584 S	9/2003	Shieh	
D461,532 S	8/2002	Ouyoung	D479,739 S	9/2003	Citterio	
D463,533 S	9/2002	Ko	D487,132 S	2/2004	Zhao	
D465,010 S	10/2002	Lord	D487,499 S	3/2004	Zhao	
D465,270 S	11/2002	Gottwald	D493,867 S *	8/2004	Shahar	D23/238
D465,557 S	11/2002	Antoniello et al.	D511,370 S *	11/2005	Kennard	D23/238
D465,559 S	11/2002	Chen	D513,309 S	12/2005	Kulig	
D468,399 S	1/2003	Bouilloux et al.	D515,181 S	2/2006	Lun et al.	
D469,158 S	1/2003	Bouilloux et al.	D520,117 S	5/2006	Fritz	
D469,854 S	2/2003	Ouyoung	D520,122 S	5/2006	Kennard	
D471,256 S	3/2003	Friedrich	D521,122 S	5/2006	Fritz	
D472,607 S	4/2003	Warshawsky et al.	D521,126 S *	5/2006	Kemp	D23/257
D474,834 S	5/2003	Czerwinski, Jr. et al.				

* cited by examiner

FIG. 1

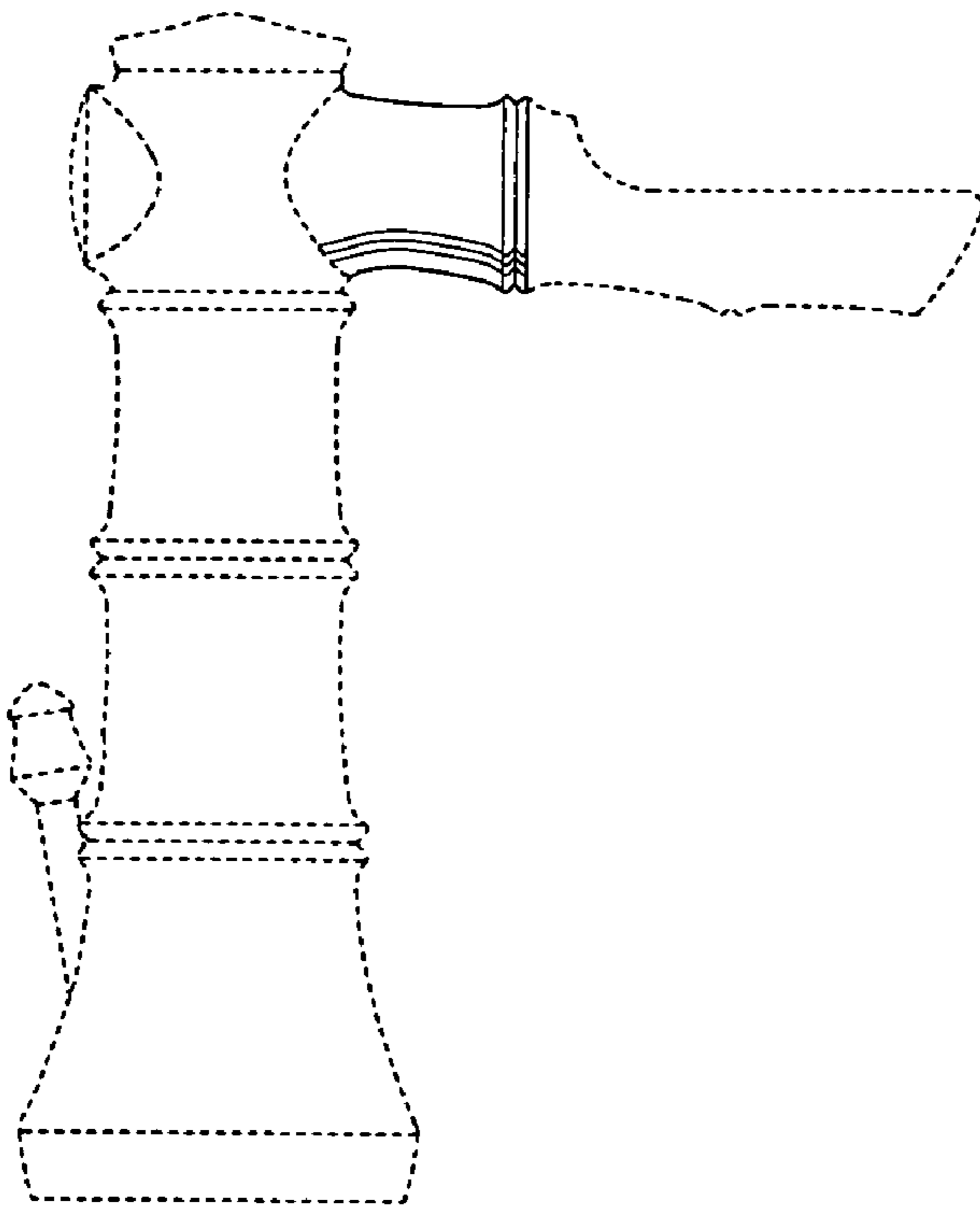
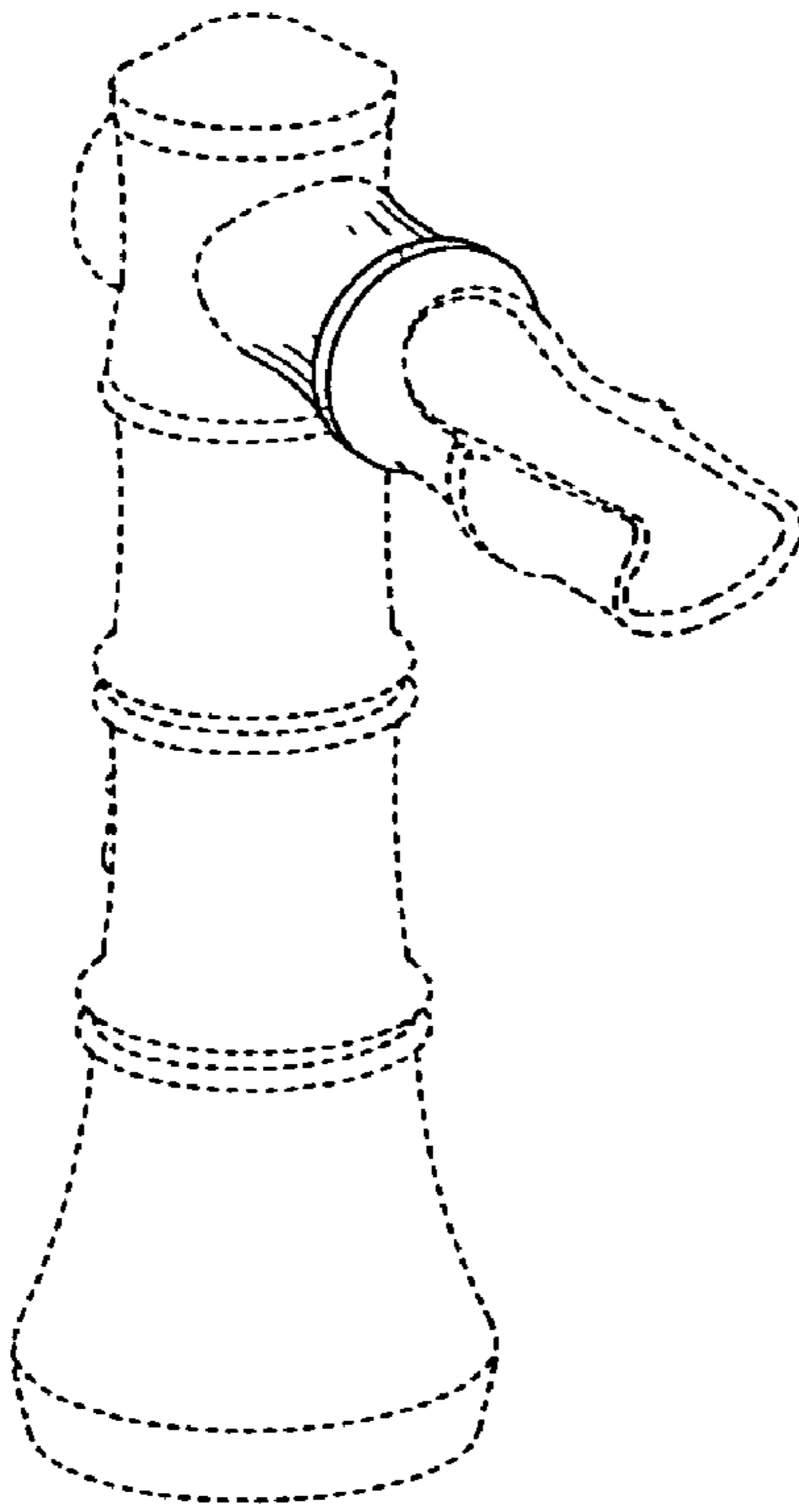


FIG. 2

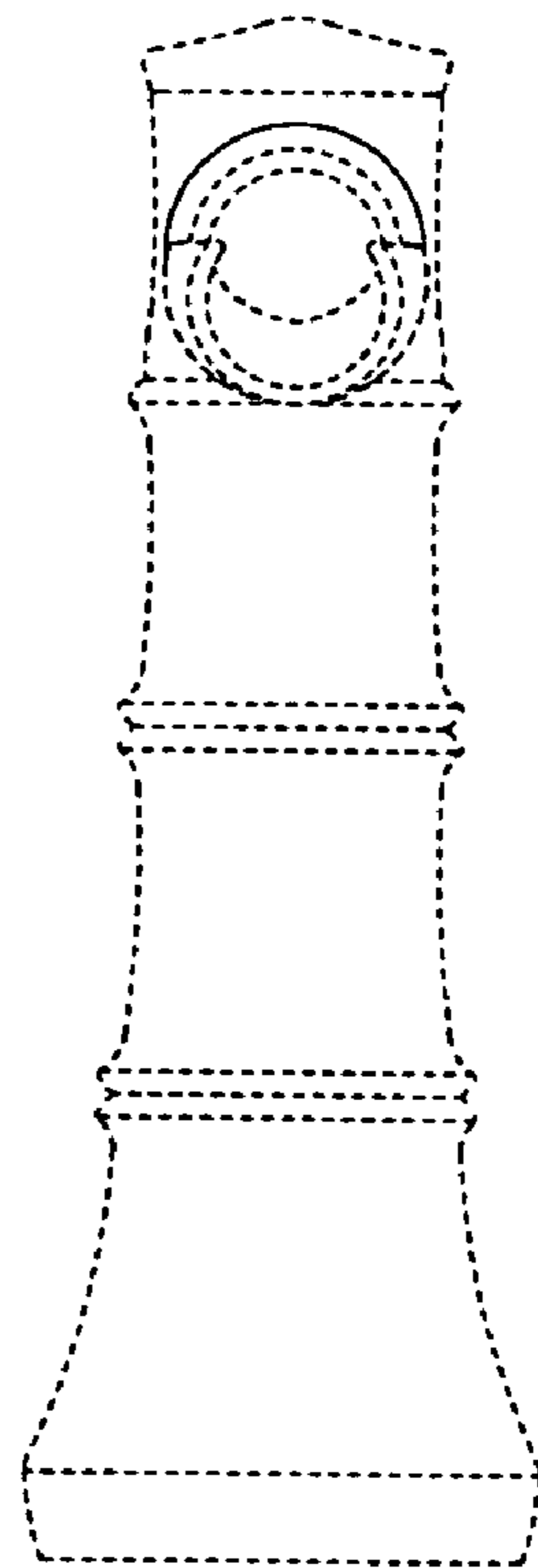


FIG. 3

FIG. 4

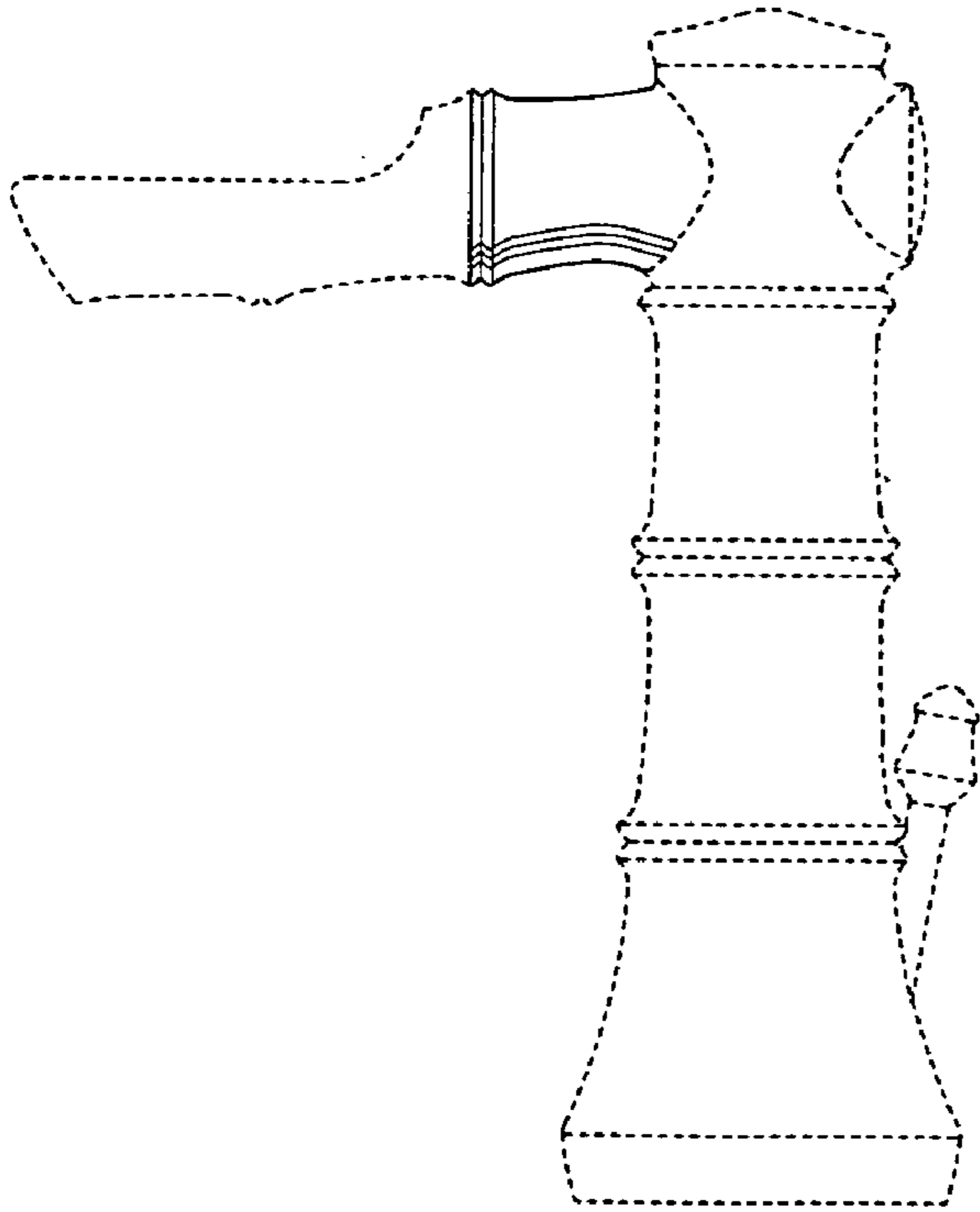
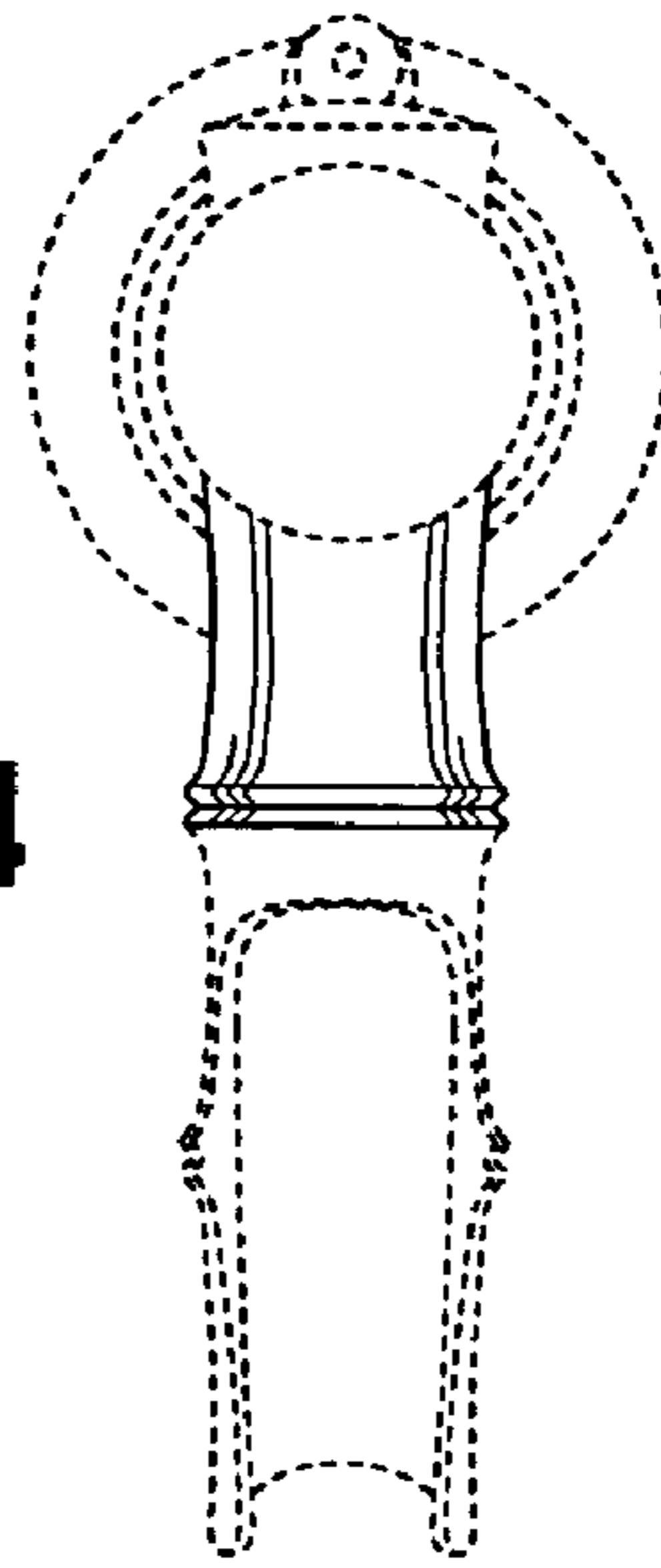


FIG. 5

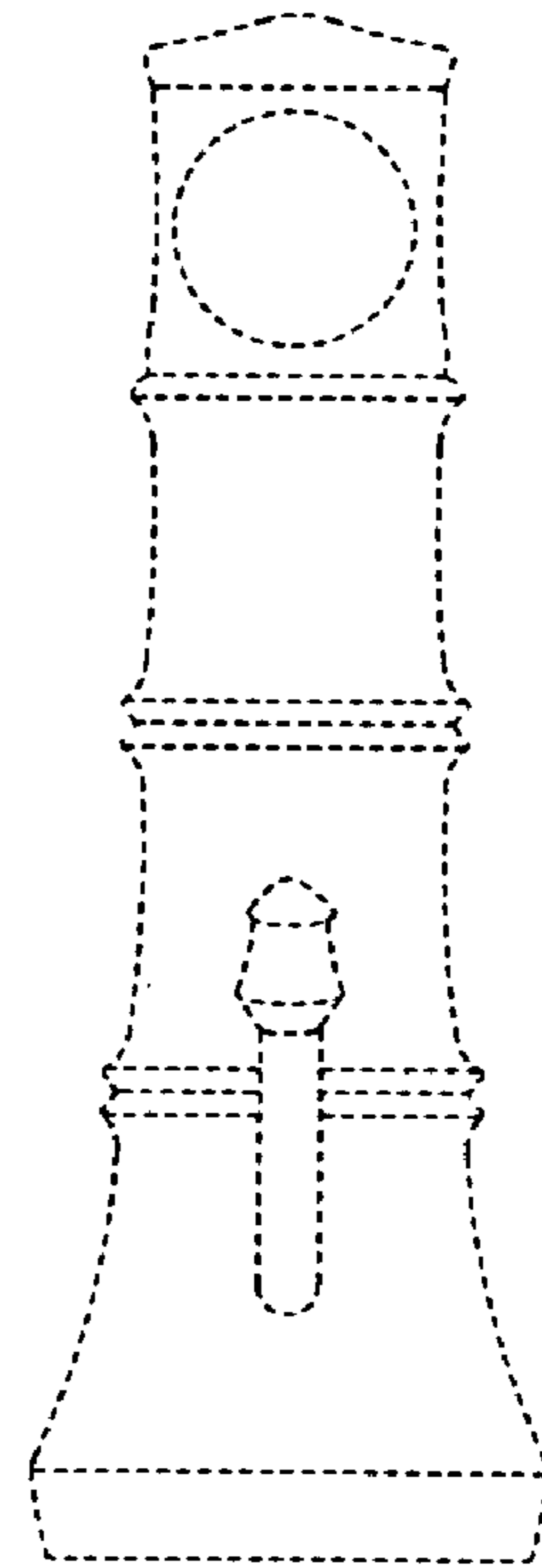


FIG. 6

FIG. 7

