

US00D545944S

(12) **United States Design Patent**
Miyazoe

(10) **Patent No.:** **US D545,944 S**

(45) **Date of Patent:** **** Jul. 3, 2007**

(54) **ELECTROMAGNETIC VALVE**

(75) Inventor: **Shinji Miyazoe**, Tsukubamirai (JP)

(73) Assignee: **SMC Corporation**, Chiyoda-ku, Tokyo (JP)

(**) Term: **14 Years**

(21) Appl. No.: **29/258,119**

(22) Filed: **Apr. 17, 2006**

(30) **Foreign Application Priority Data**

Oct. 19, 2005 (JP) 2005-030562

(51) **LOC (8) Cl.** **23-01**

(52) **U.S. Cl.** **D23/233**

(58) **Field of Classification Search** D23/233;
D15/5, 199; 251/219, 331, 129.04, 15, 596.13,
251/596.16; 137/554, 557, 560, 882, 884,
137/269, 271, 343, 625.64

See application file for complete search history.

(56) **References Cited**

U.S. PATENT DOCUMENTS

D338,258 S * 8/1993 Tamaki D23/248
D409,723 S * 5/1999 Hayashi et al. D23/233
D433,481 S * 11/2000 Kaneko et al. D23/233
D439,882 S * 4/2001 Miyazoe et al. D13/147

D439,883 S * 4/2001 Miyazoe et al. D13/147
D479,308 S * 9/2003 Hayashi et al. D23/233
6,745,790 B2 * 6/2004 Sato et al. 137/315.03
D524,910 S * 7/2006 Matsumoto et al. D23/233
D533,628 S * 12/2006 Miyazoe et al. D23/233

* cited by examiner

Primary Examiner—Ian Simmons

Assistant Examiner—Maurice Stevens

(74) *Attorney, Agent, or Firm*—Peter Ganjian

(57) **CLAIM**

The ornamental design for an electromagnetic valve, as shown and described.

DESCRIPTION

FIG. 1 shows a front view of an electromagnetic valve showing my new design;

FIG. 2 shows a back view thereof;

FIG. 3 shows a top view thereof;

FIG. 4 shows a bottom view thereof;

FIG. 5 shows a left side view thereof;

FIG. 6 shows a right side view thereof;

FIG. 7 shows a perspective view thereof; and,

FIG. 8 shows a perspective view thereof.

1 Claim, 4 Drawing Sheets

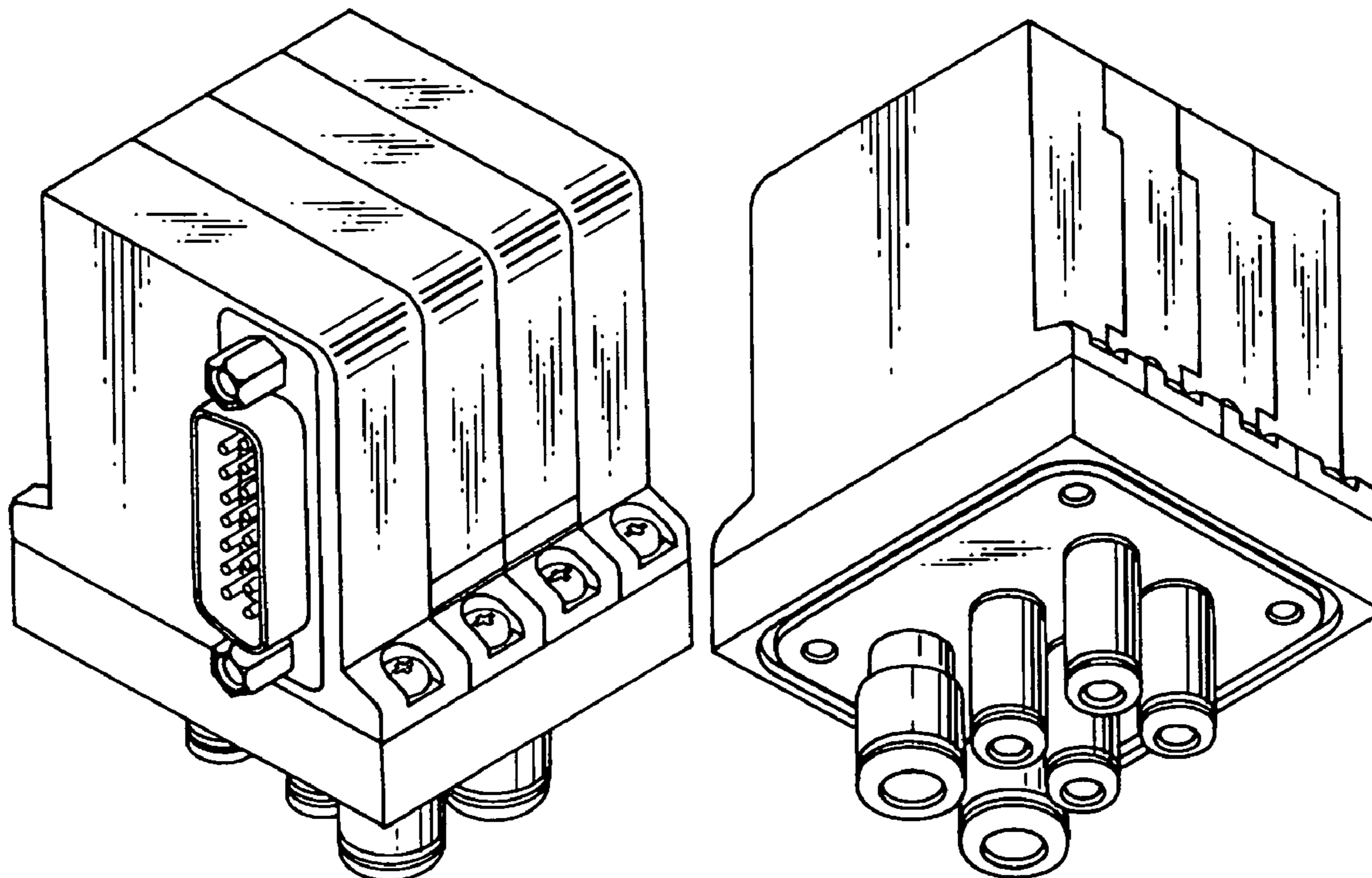


FIG. 1

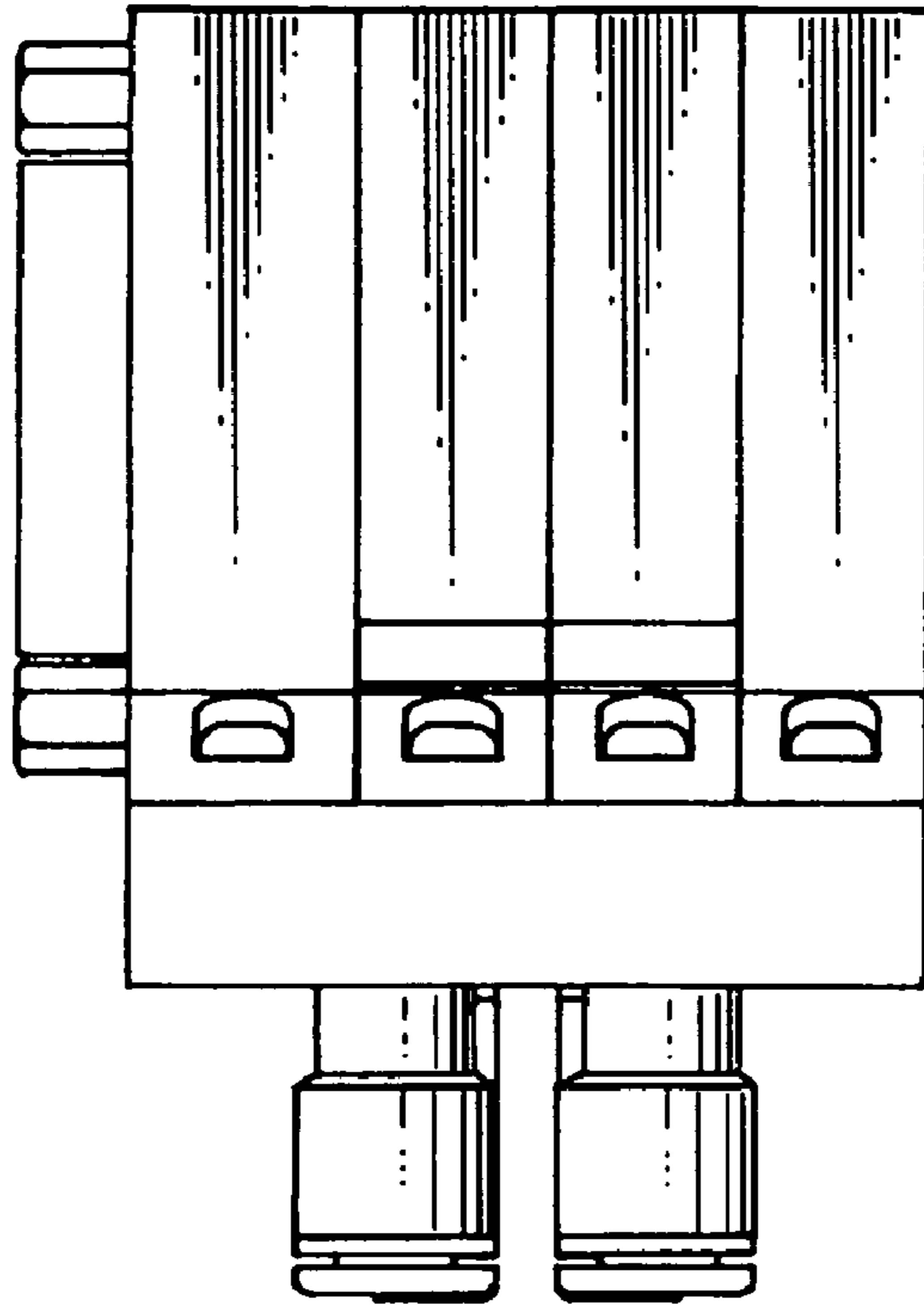


FIG. 2

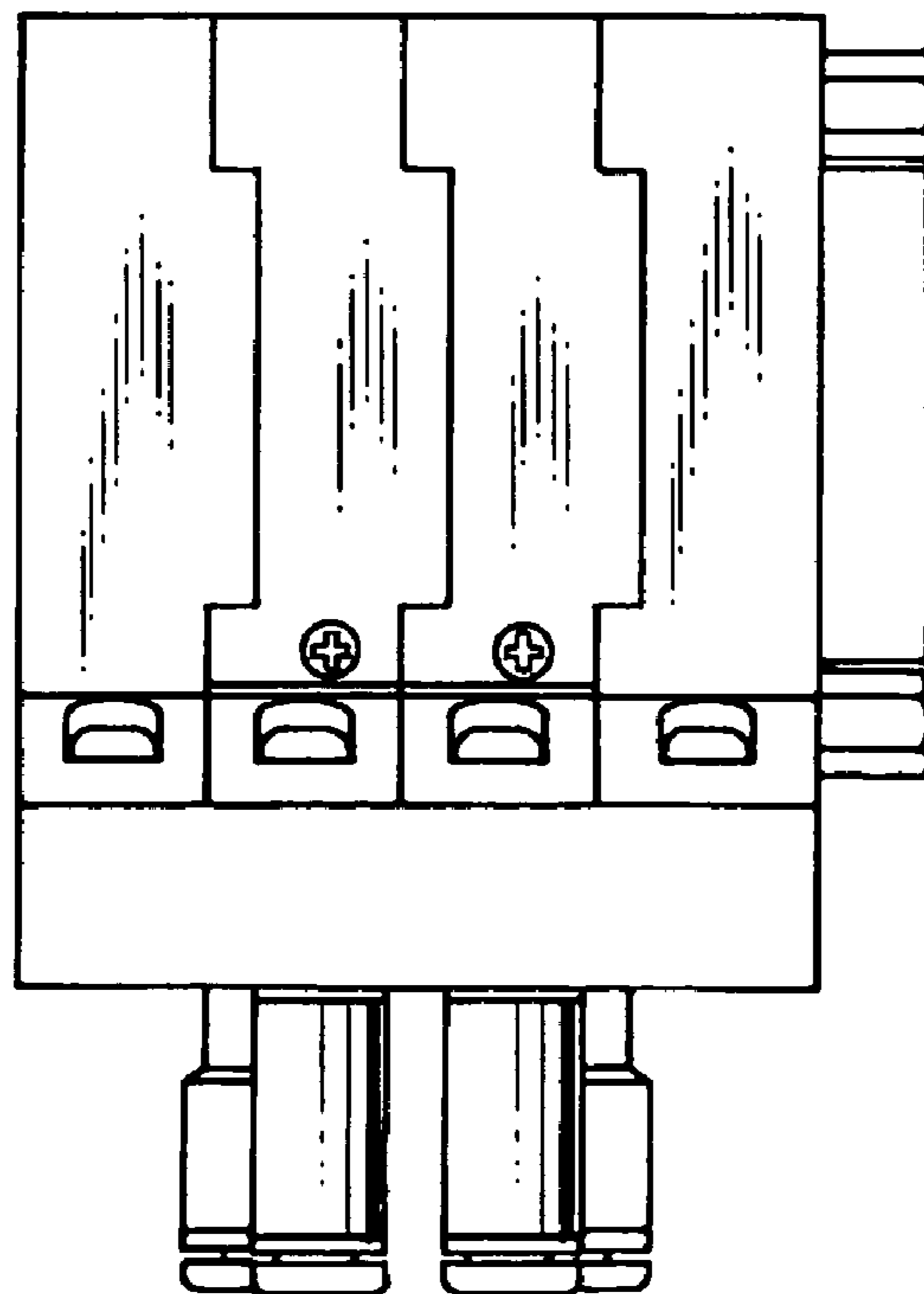


FIG. 3

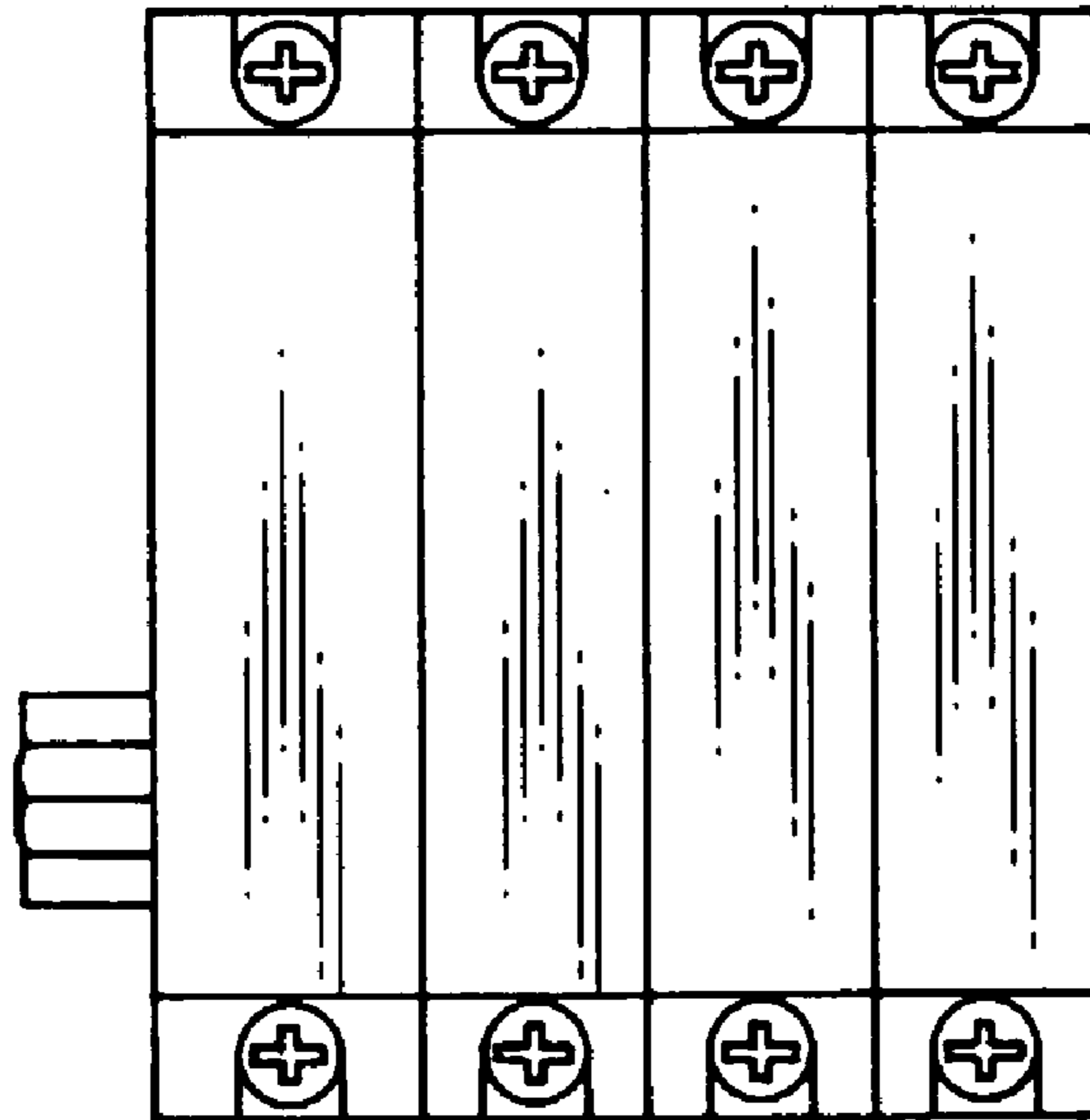


FIG. 4

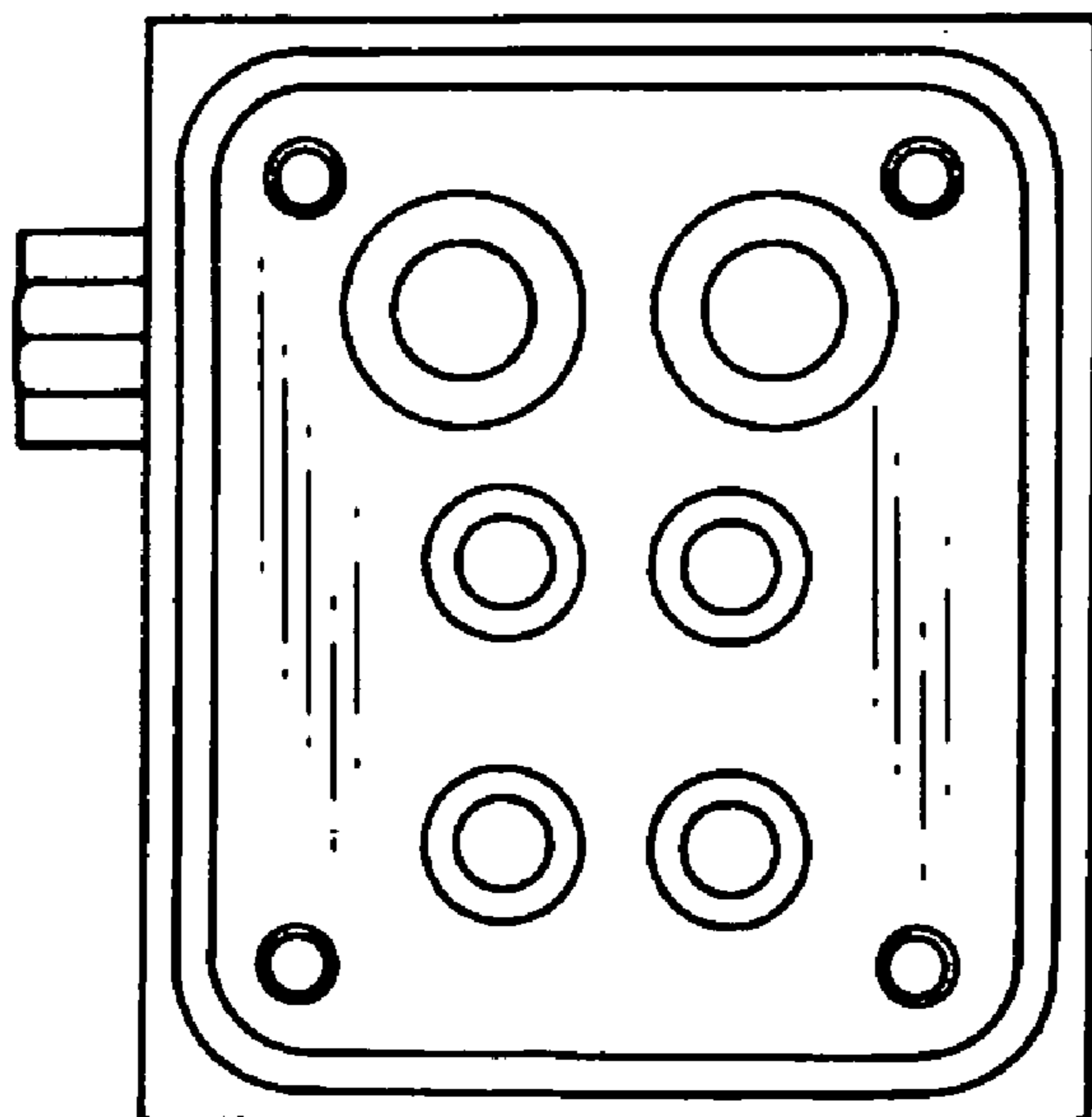


FIG. 5

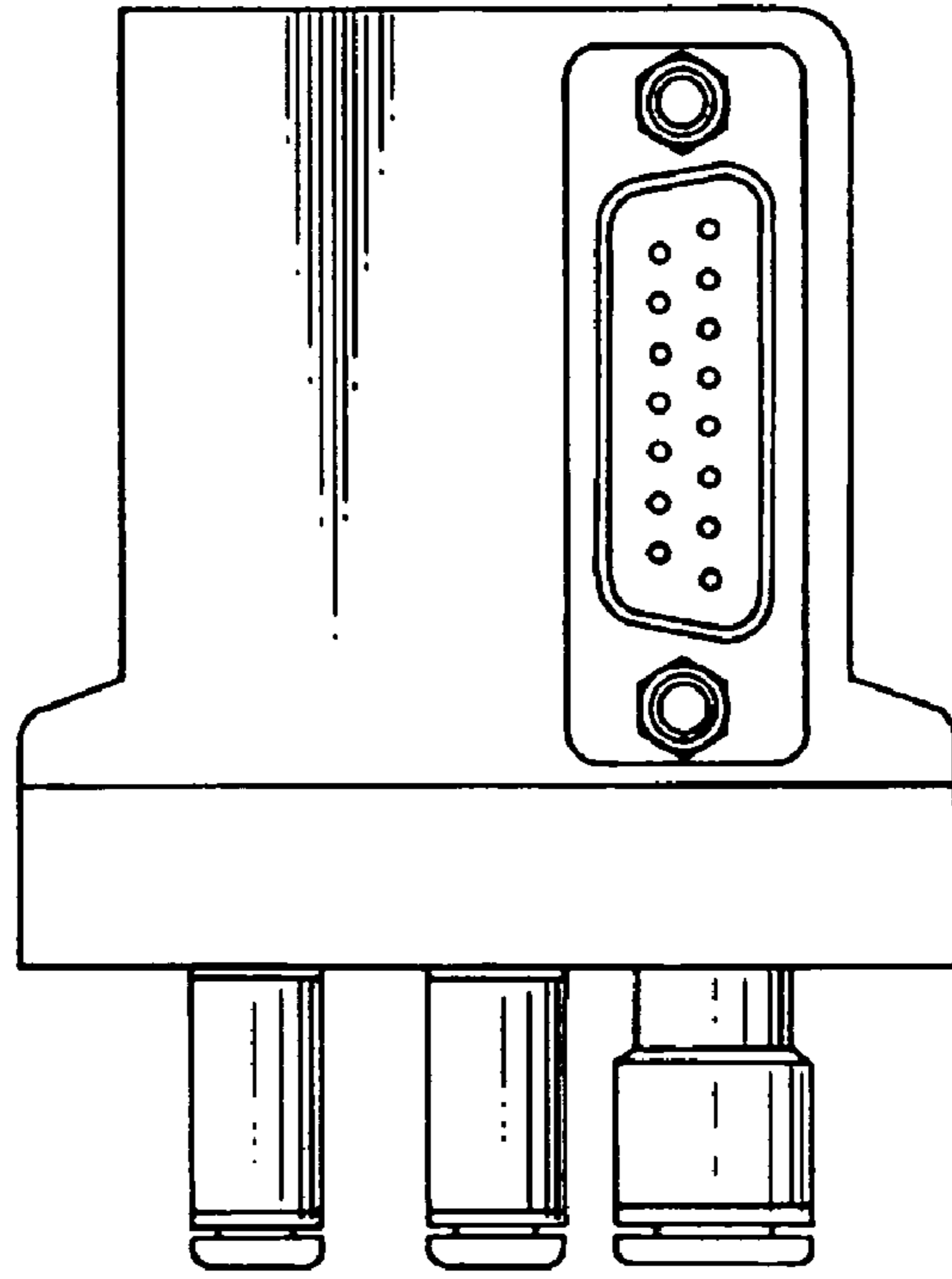


FIG. 6

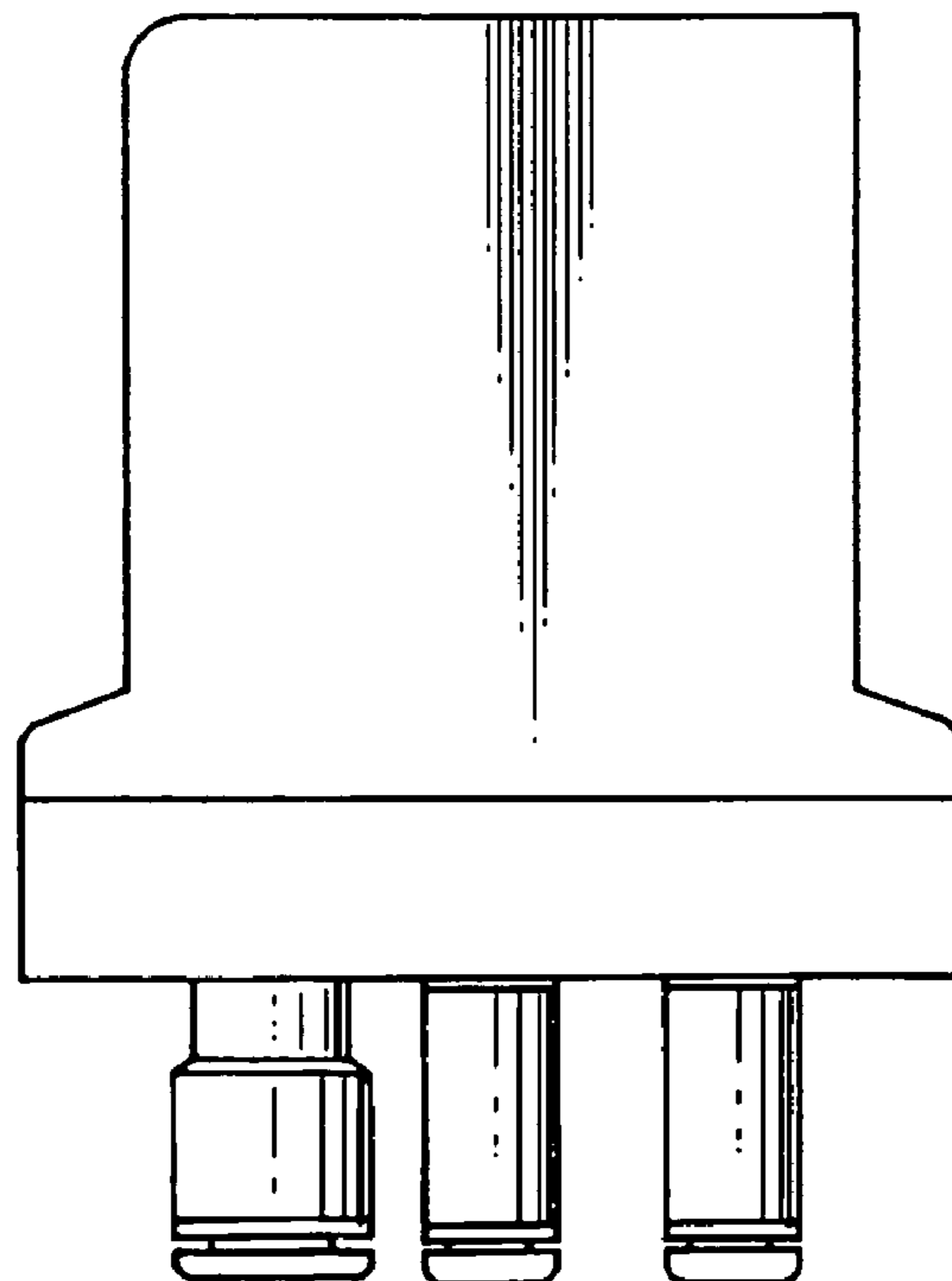


FIG. 7

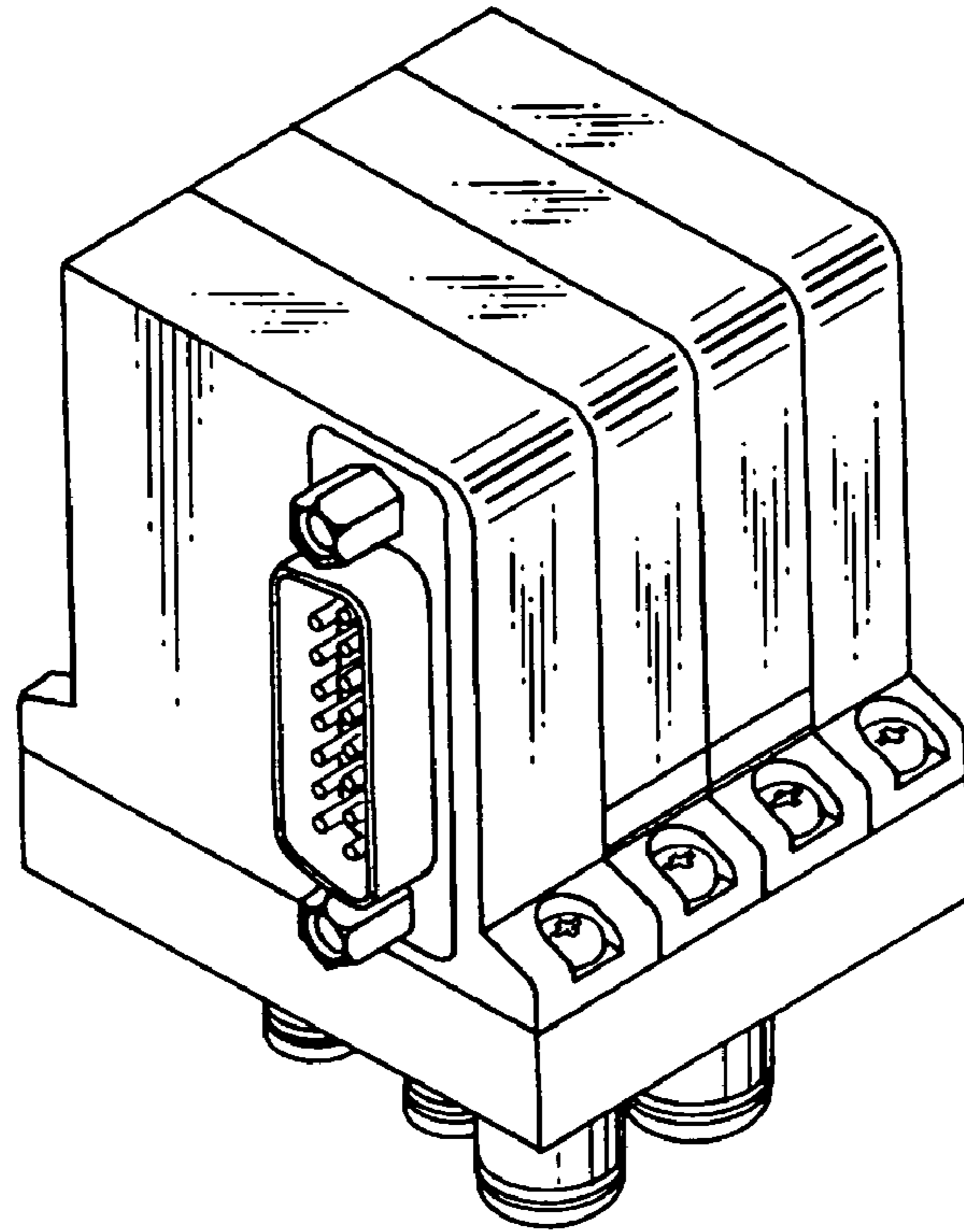


FIG. 8

