



US00D545939S

(12) **United States Design Patent**  
**Larson**

(10) **Patent No.:** **US D545,939 S**

(45) **Date of Patent:** **\*\* Jul. 3, 2007**

(54) **FOOTBALL HELMET FISHING REEL**

(74) *Attorney, Agent, or Firm*—John K. McCormick

(76) Inventor: **Michael E Larson**, 549 Lou's Way,  
Slinger, WI (US) 53089

(57) **CLAIM**

The ornamental design for a football helmet fishing reel, as shown and described.

(\*\*) Term: **14 Years**

(21) Appl. No.: **29/249,186**

**DESCRIPTION**

(22) Filed: **Sep. 26, 2006**

FIG. 1 is a perspective view of a football helmet fishing reel showing my new design;

(51) **LOC (8) Cl.** ..... **22-05**

FIG. 2 is a left side elevation view of the football helmet fishing reel of my new design.

(52) **U.S. Cl.** ..... **D22/137**

(58) **Field of Classification Search** ..... D22/137-141;  
242/381, 322, 118.3, 118.4, 118.6, 118.7,  
242/311, 295; 43/20-21

FIG. 3 is a right side elevation view of the football helmet fishing reel of my new design.

See application file for complete search history.

FIG. 4 is a front elevation view of the football helmet fishing reel of my new design.

(56) **References Cited**

FIG. 5 is a rear elevation view of the football helmet fishing reel of my new design.

**U.S. PATENT DOCUMENTS**

FIG. 6 is a top planar view of the football helmet fishing reel of my new design; and,

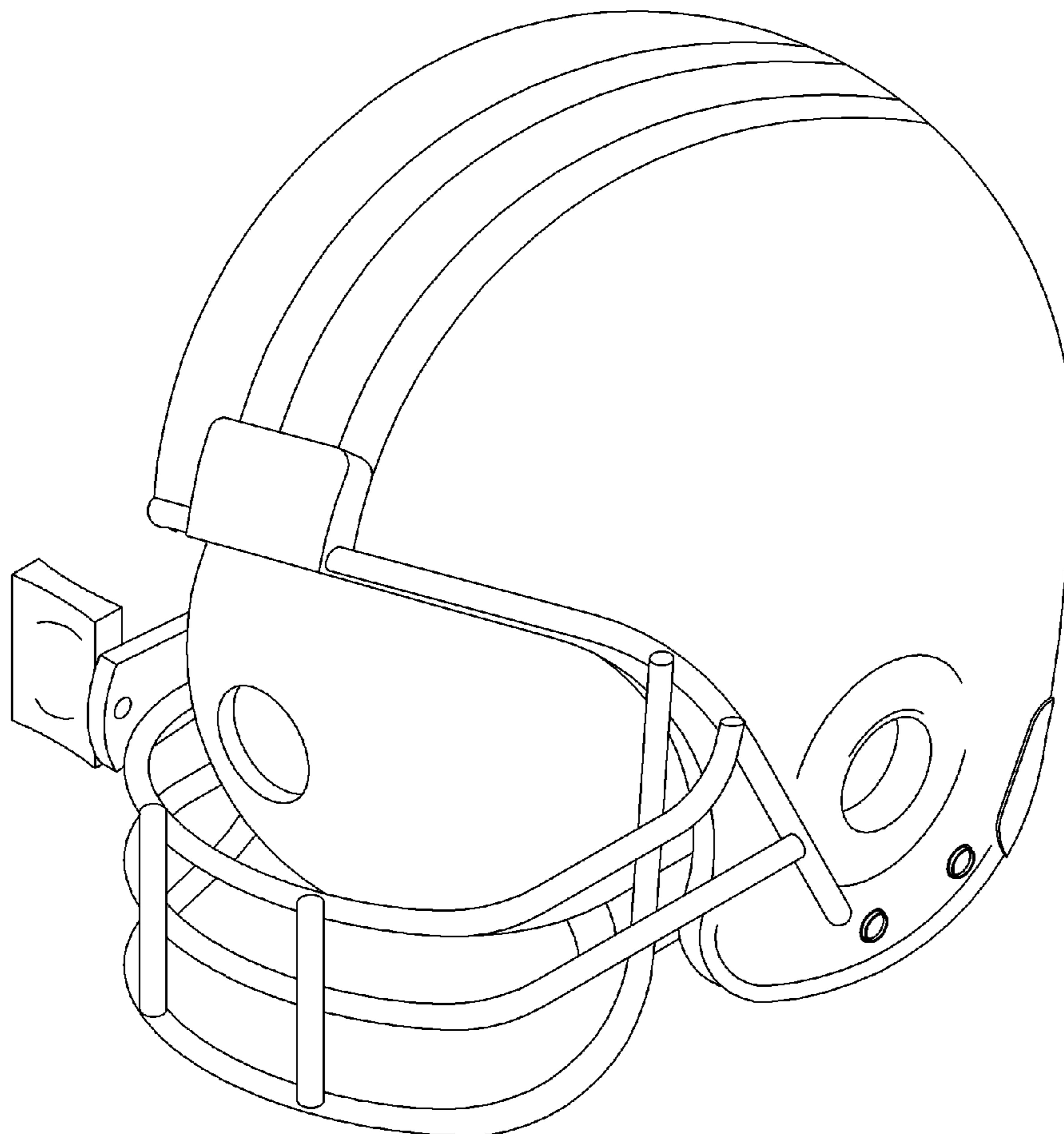
D267,580 S *	1/1983	Price	.....	D22/138
D456,874 S *	5/2002	Park	.....	D22/137
D523,921 S *	6/2006	Metheny et al.	.....	D22/139

FIG. 7 is a bottom planar view of the football helmet fishing reel of my new design.

\* cited by examiner

*Primary Examiner*—Catherine R. Oliver

**1 Claim, 7 Drawing Sheets**



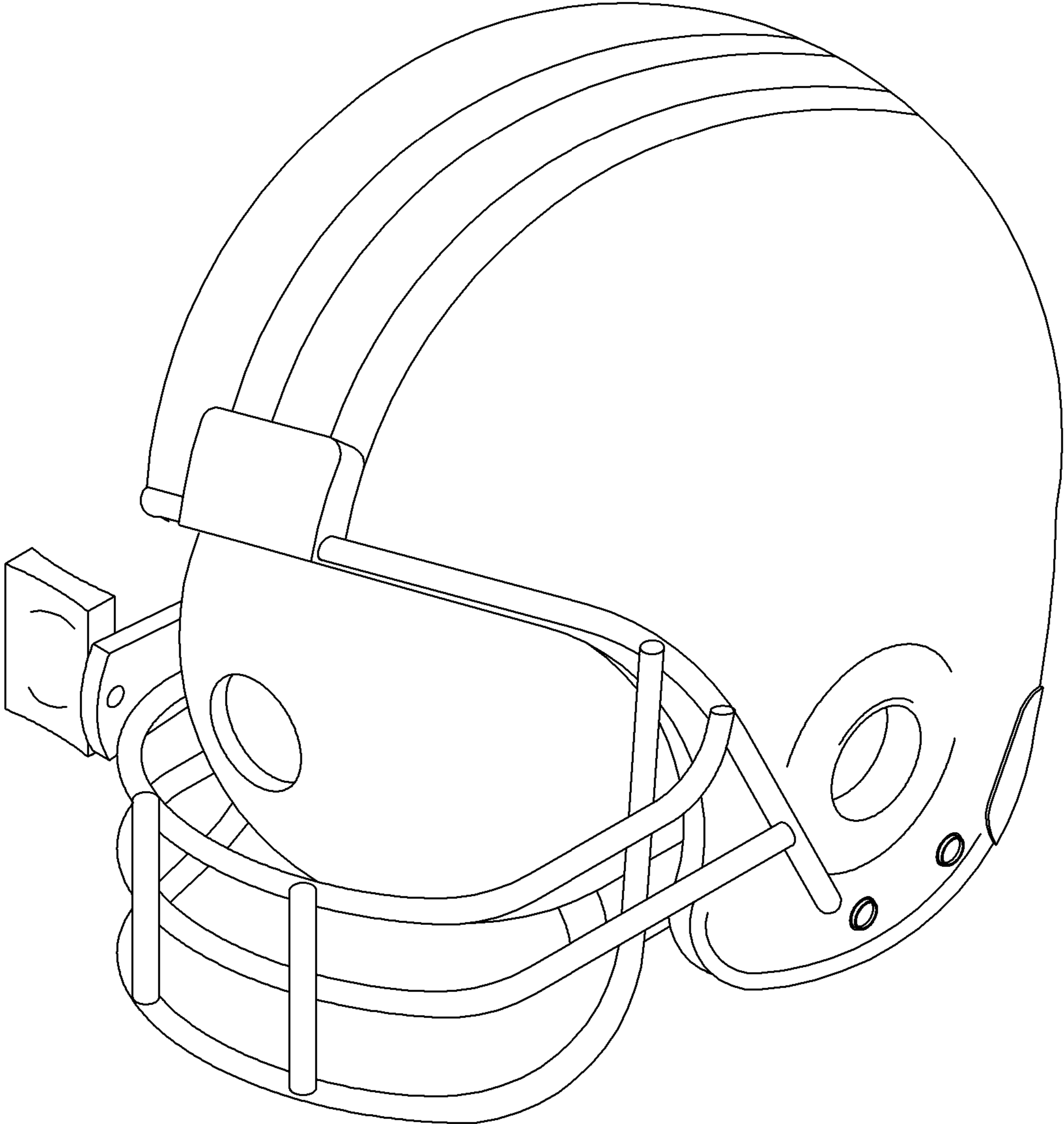


Fig 1

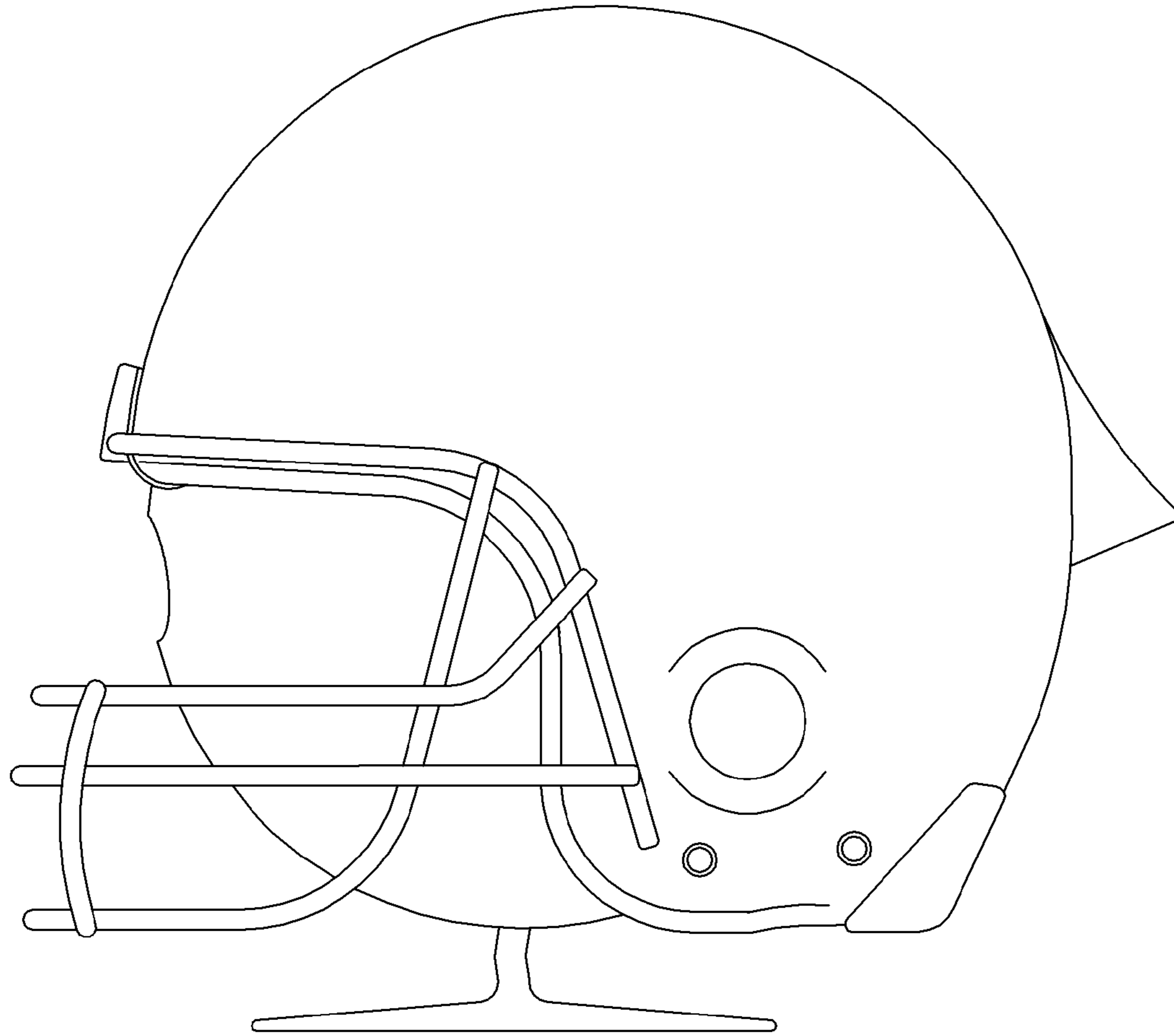


Fig 2

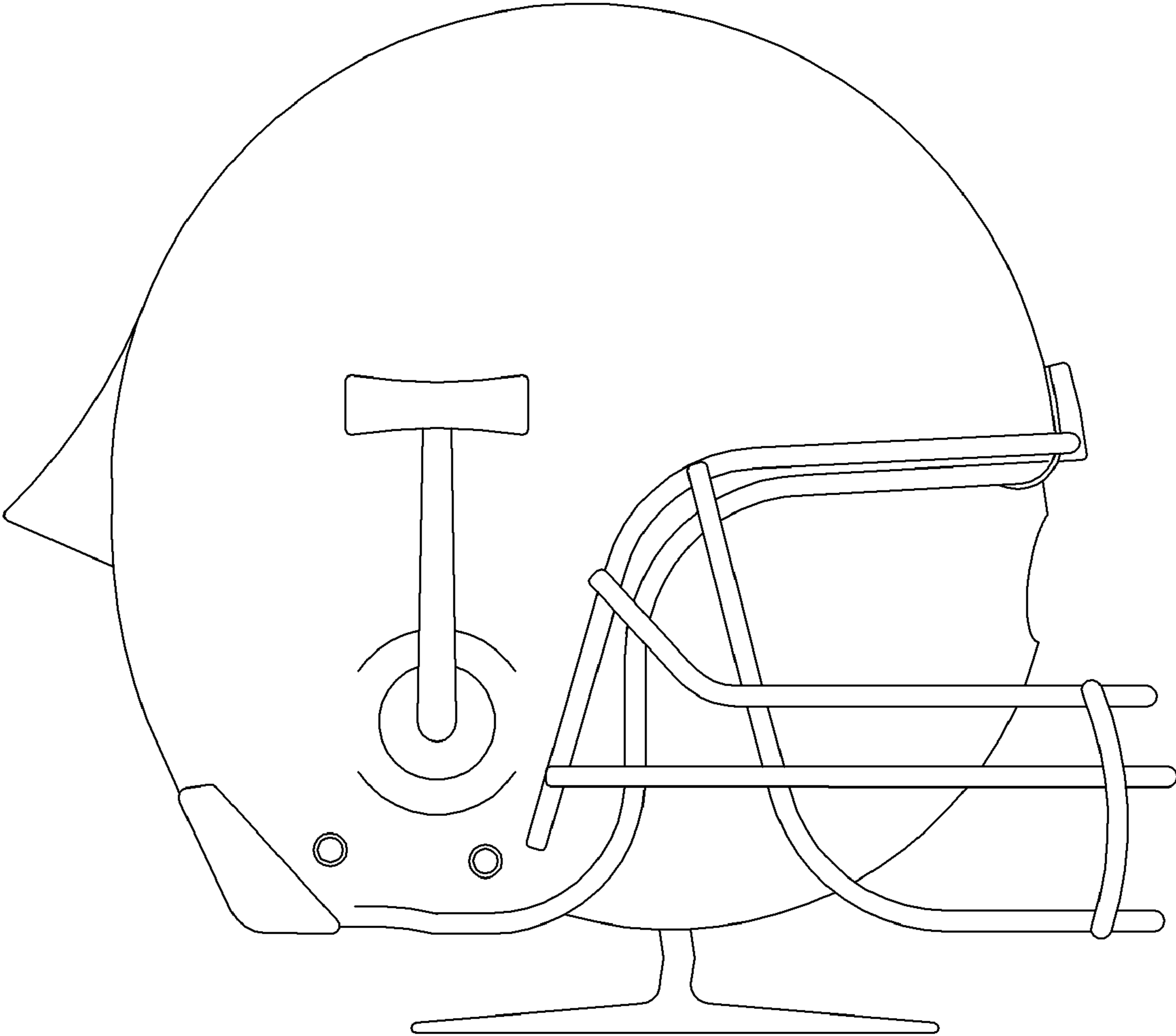


Fig 3

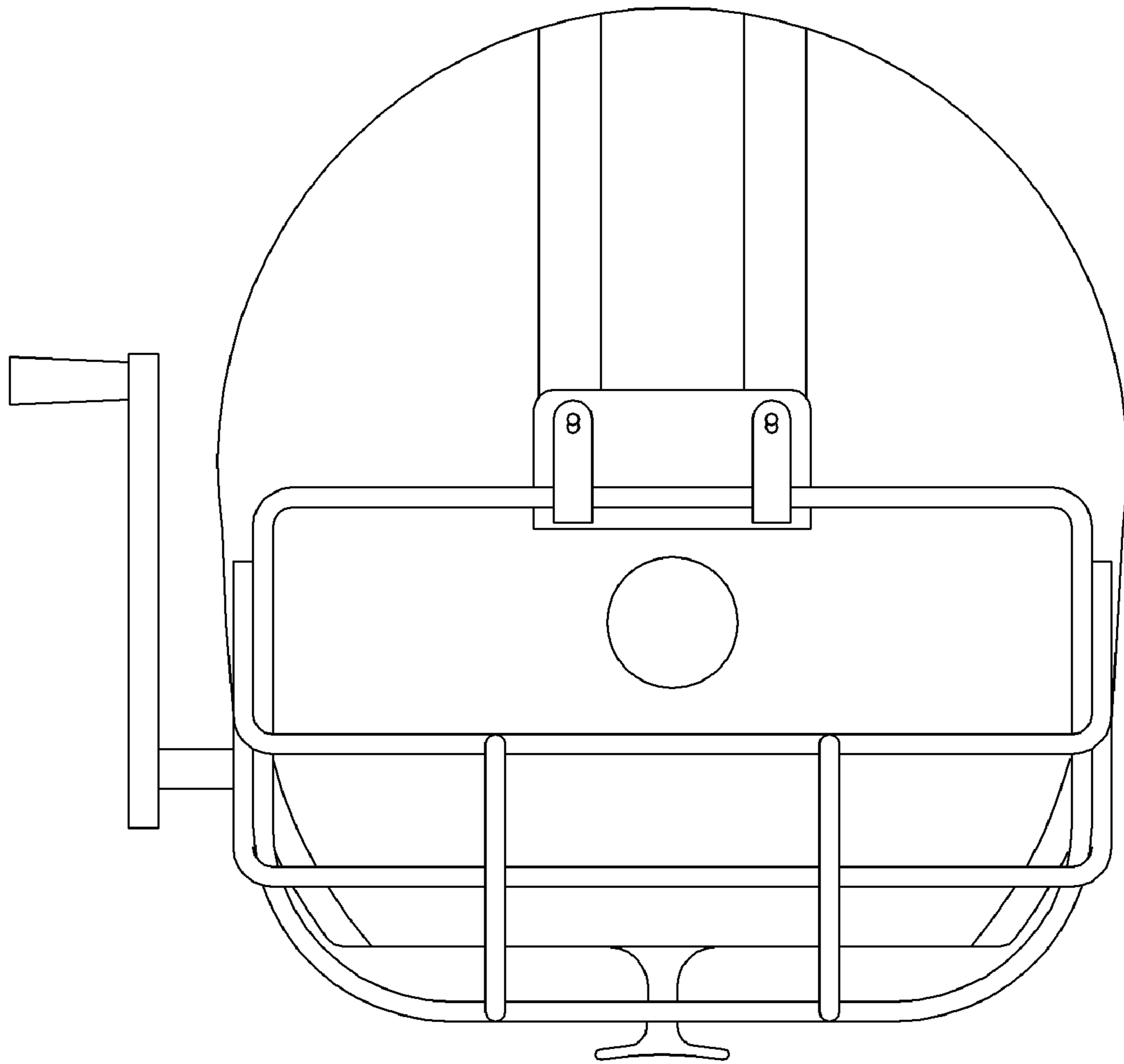


Fig 4

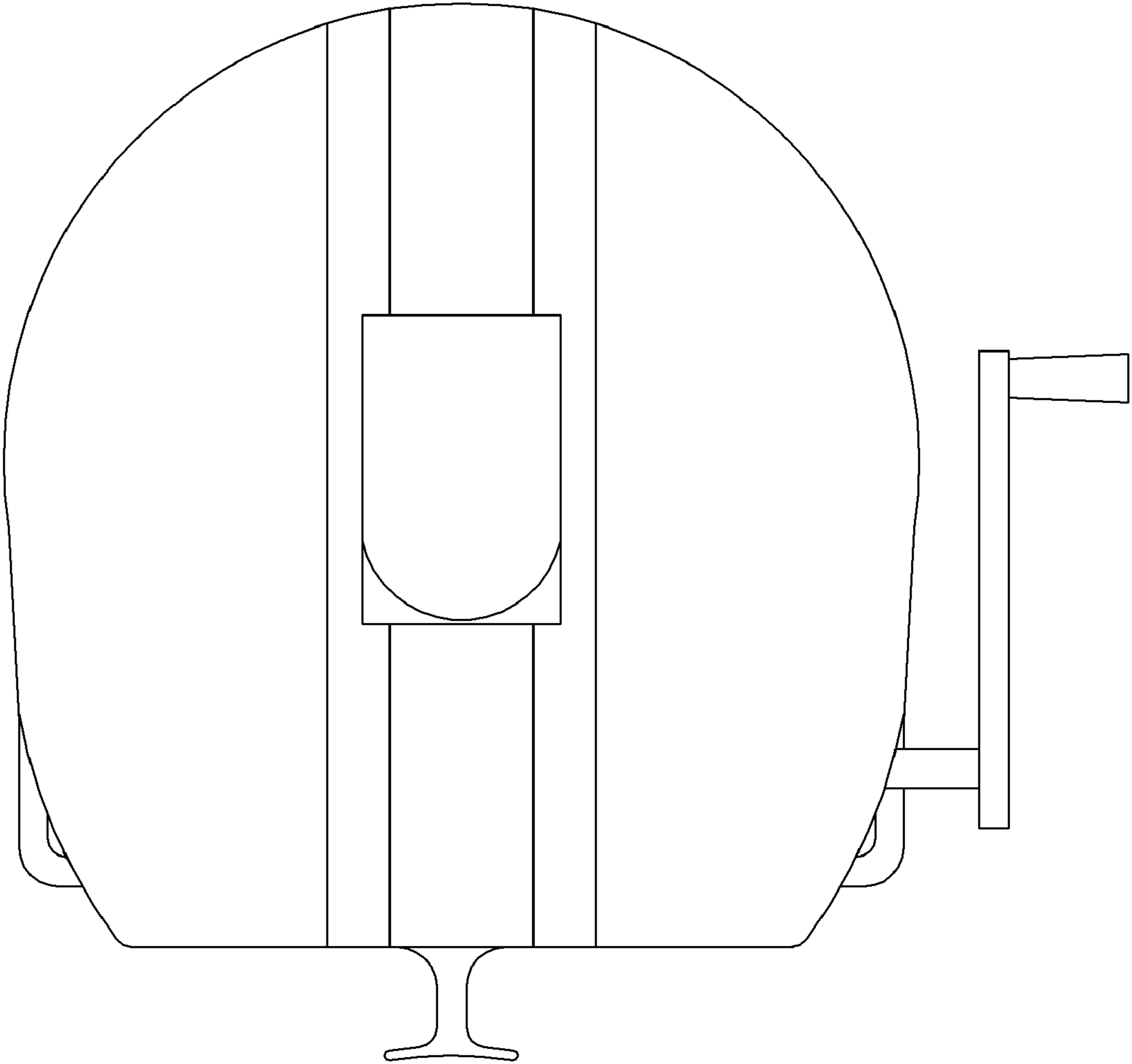


Fig 5

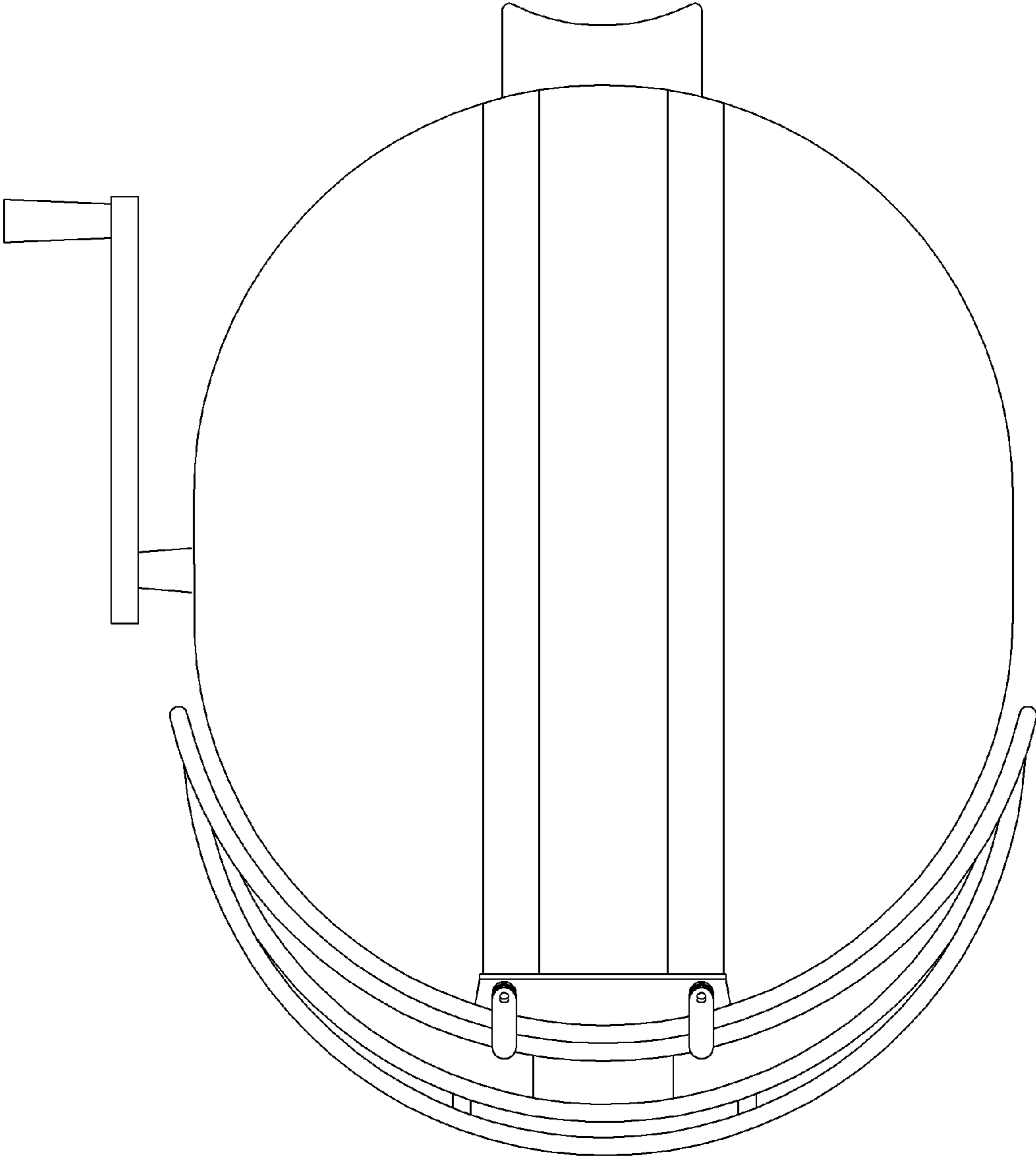


Fig 6



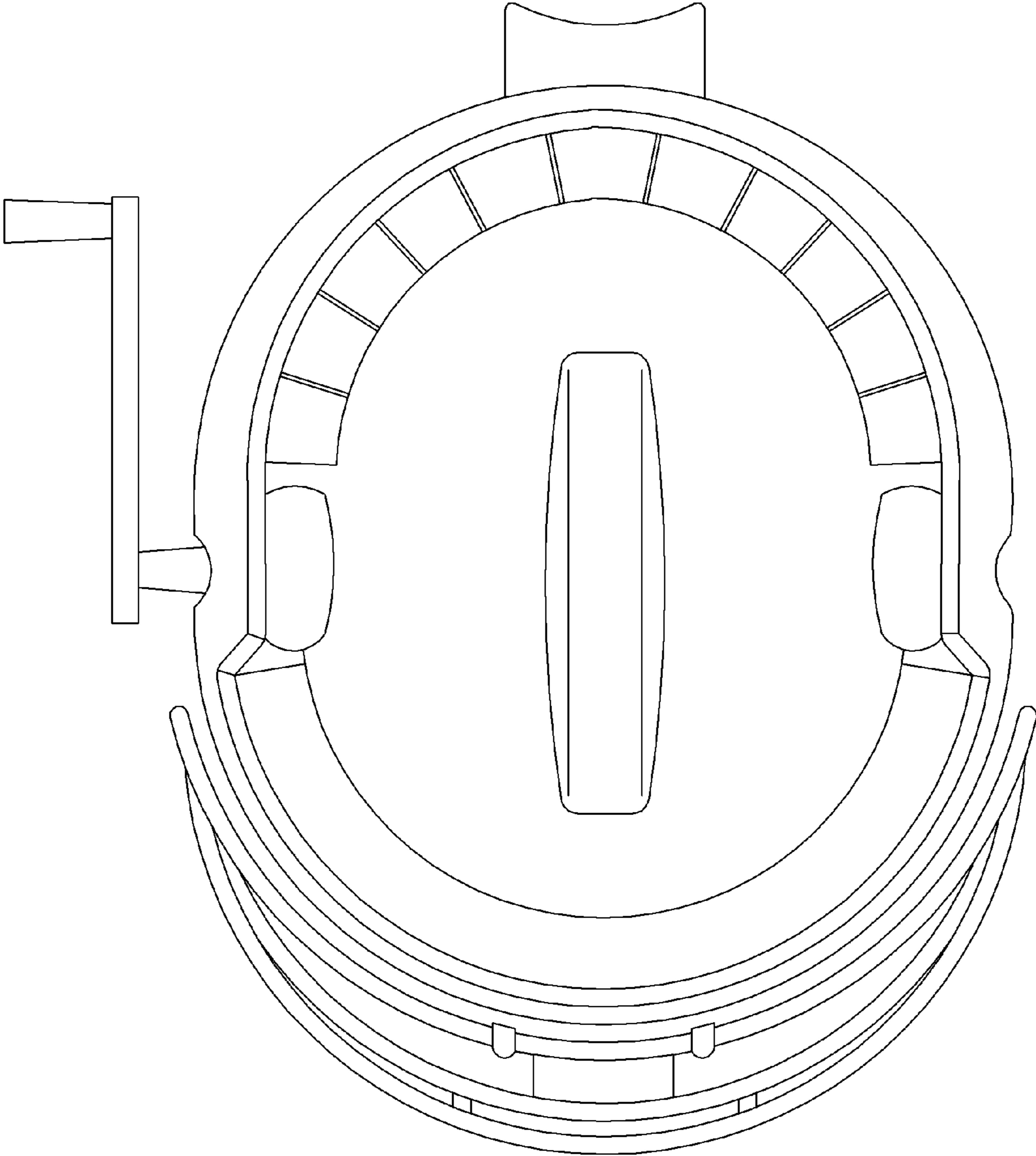


Fig 7