

US00D545937S

(12) **United States Design Patent** (10) **Patent No.:** **US D545,937 S**
Heuke (45) **Date of Patent:** **** Jul. 3, 2007**

(54) **RETRIEVING DEVICE FOR A SNAGGED FISHING LURE**

(76) Inventor: **Thomas E. Heuke**, 619 Garfield St., Lincoln, NE (US) 68502

(**) Term: **14 Years**

(21) Appl. No.: **29/252,412**

(22) Filed: **Jan. 23, 2006**

(51) **LOC (8) Cl.** **22-05**

(52) **U.S. Cl.** **D22/134**

(58) **Field of Classification Search** D22/134-136, D22/149, 199; 43/17.2, 44.9

See application file for complete search history.

(56) **References Cited**

U.S. PATENT DOCUMENTS

4,057,925 A	11/1977	Wong	
D247,301 S	2/1978	Ostoski	
4,171,587 A *	10/1979	Bullen, Jr.	43/17.2
4,301,610 A	11/1981	Brown	
D279,713 S	7/1985	Gregory	
D296,125 S	6/1988	Hain	
5,042,191 A	8/1991	Fett	
5,209,006 A	5/1993	Wilhelmar	
D345,778 S *	4/1994	Beck et al.	D22/134
D354,791 S *	1/1995	Bernardini, Sr.	D22/134
D377,962 S	2/1997	Blain	
5,901,495 A	5/1999	Leigeber	
6,705,040 B1	3/2004	New	

OTHER PUBLICATIONS

www.shopping.com/xGS-Lure_Retrievers E-Z Knocker by Roger's.
www.easyretriever.com "Easy Retriever".
www.do-itmolds.com/products/sinkermolds various sinkers, pyramid sinker, drop-shot sinker.

www.do-itmolds.com/product/specialpurposesmolds decoy anchor weights.

www.scunci.com/product Classic Pins™ Bobby Pins. Thomas E. Heuke (inventor) Disclosure Document No. 570540 Da ted Feb. 8, 2005 filed (Feb. 14, 2005) 3 pages. Priority Document.

* cited by examiner

Primary Examiner—Catherine R. Oliver

(57) **CLAIM**

I claim the ornamental design for a retrieving device for a snagged fishing lure, as shown and described.

DESCRIPTION

A special feature fully shown in the drawings but not fully appreciated by just the drawings is a spring wire lever (1) used to easily attach the retriever to a fishing line so that it may slide down the line to the snagged fishing lure.

FIG. 1 is a front elevational view of a retrieving device for a snagged fishing lure, showing my design, it being understood the rear elevational view is a mirror image thereof;

FIG. 2 is a left side elevational view thereof;

FIG. 3 is a right side elevational view thereof;

FIG. 4 is a top plan view thereof;

FIG. 5 is a bottom plan view thereof;

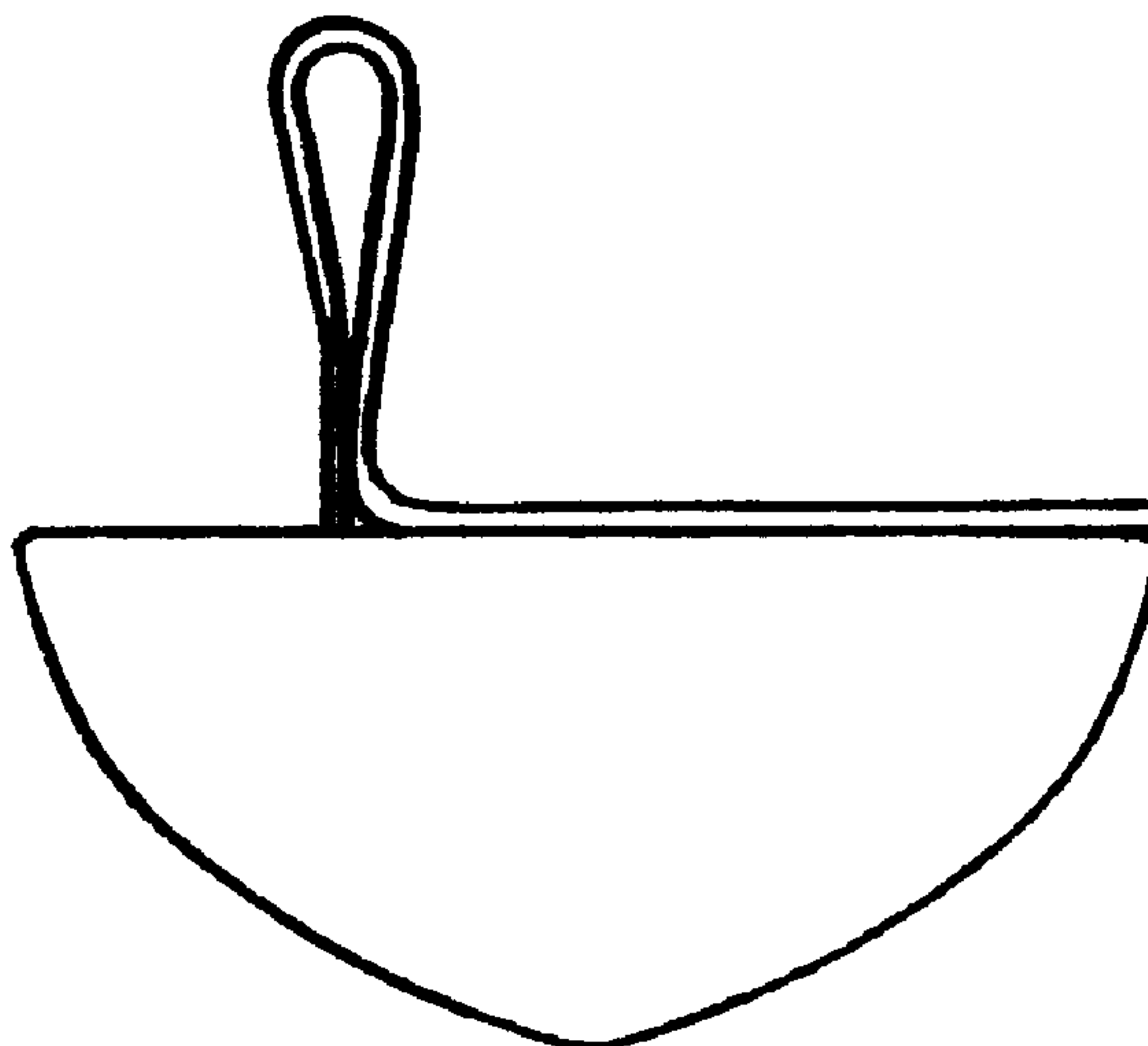
FIG. 6 is a front elevational view of a second embodiment, it being understood the rear elevational view is a mirror image thereof;

FIG. 7 is a top plan view of the second embodiment thereof; and,

FIG. 8 is a front elevational view showing the position of the spring wire lever (1) on the device shown in FIG. 1 as it might appear open to allow attachment to a fishing line that is connected to a snagged fishing lure.

FIGS. 2,3, and 5 are the same for both embodiments.

1 Claim, 2 Drawing Sheets



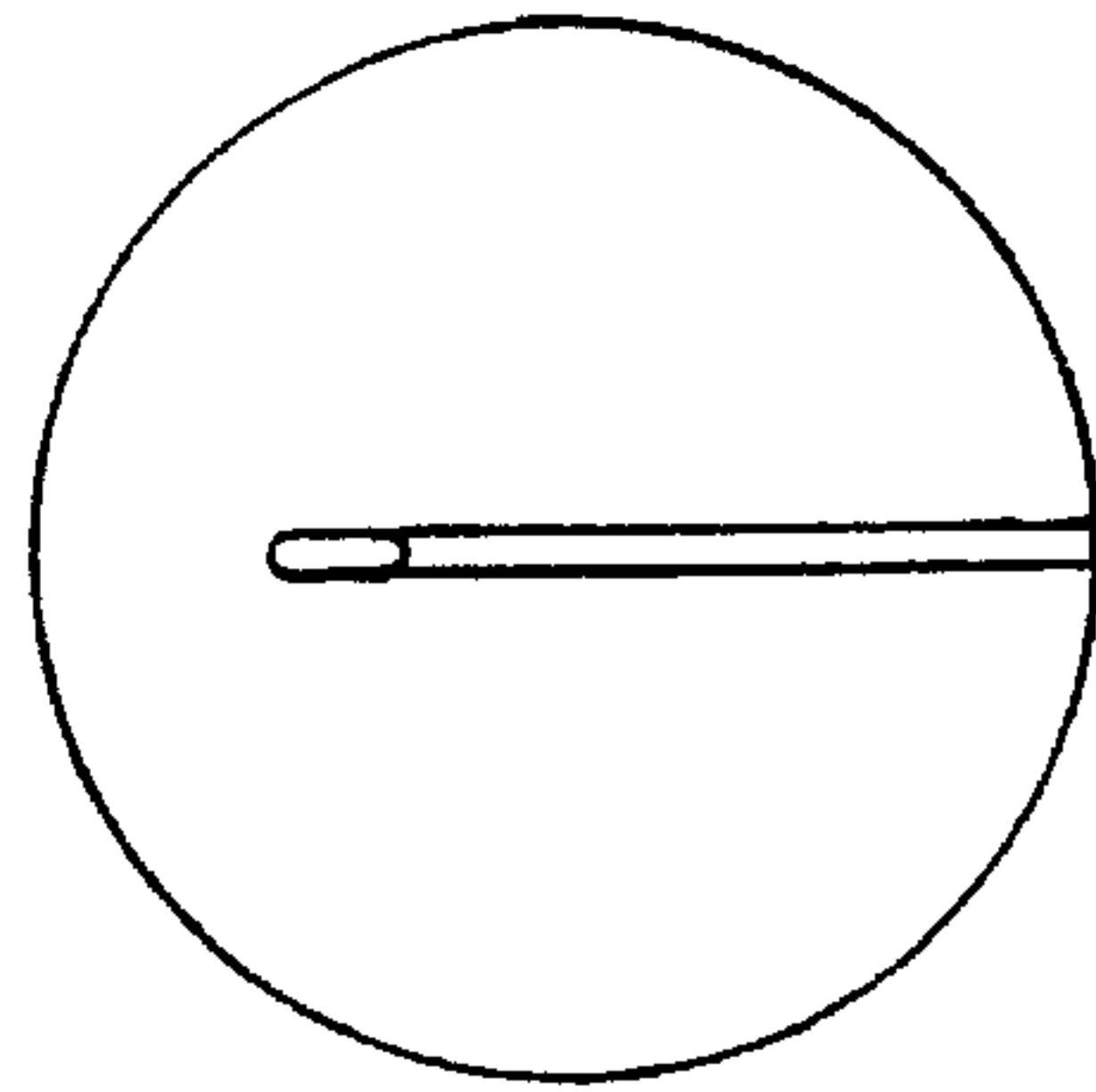


Fig. 4

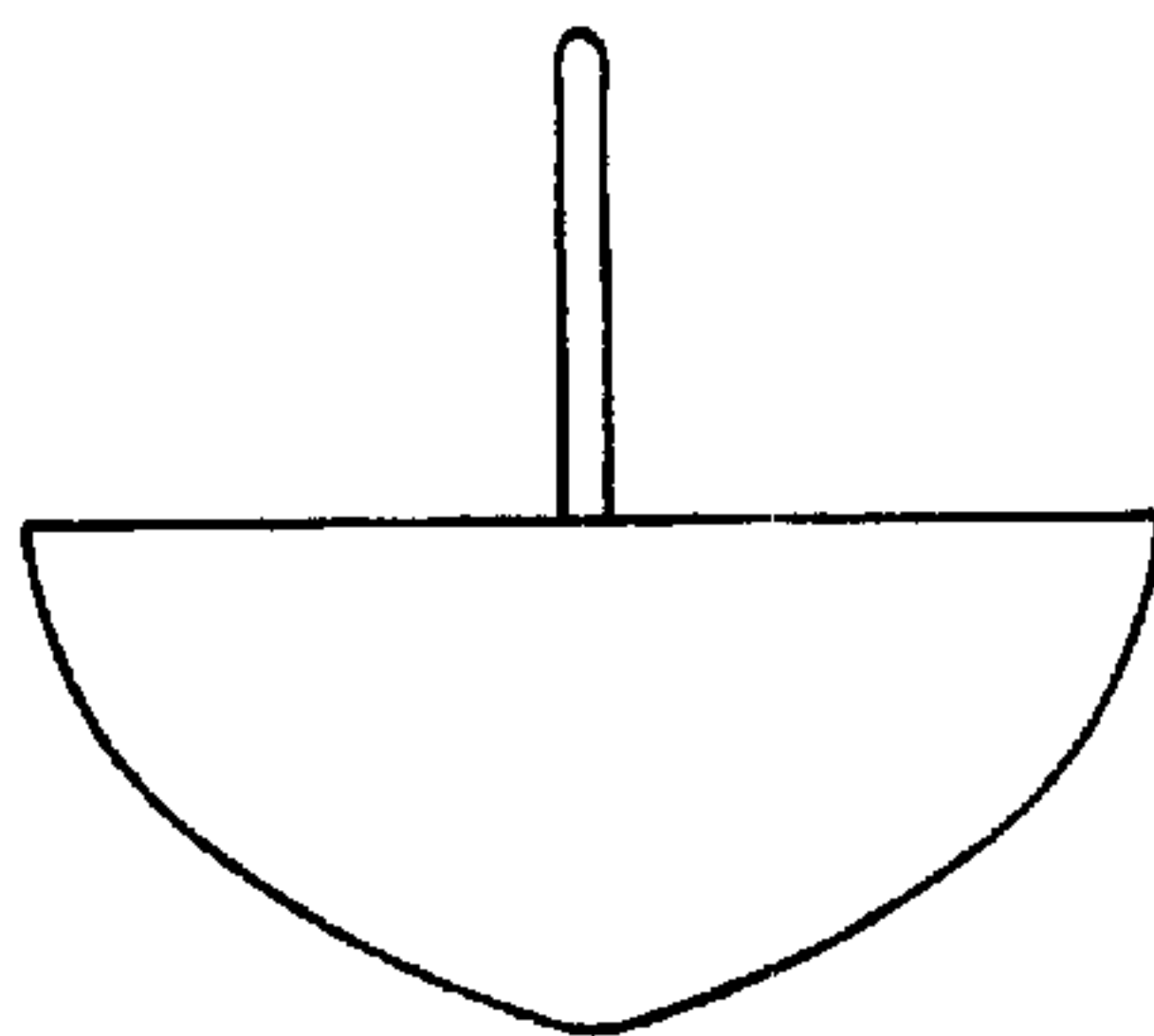


Fig. 2

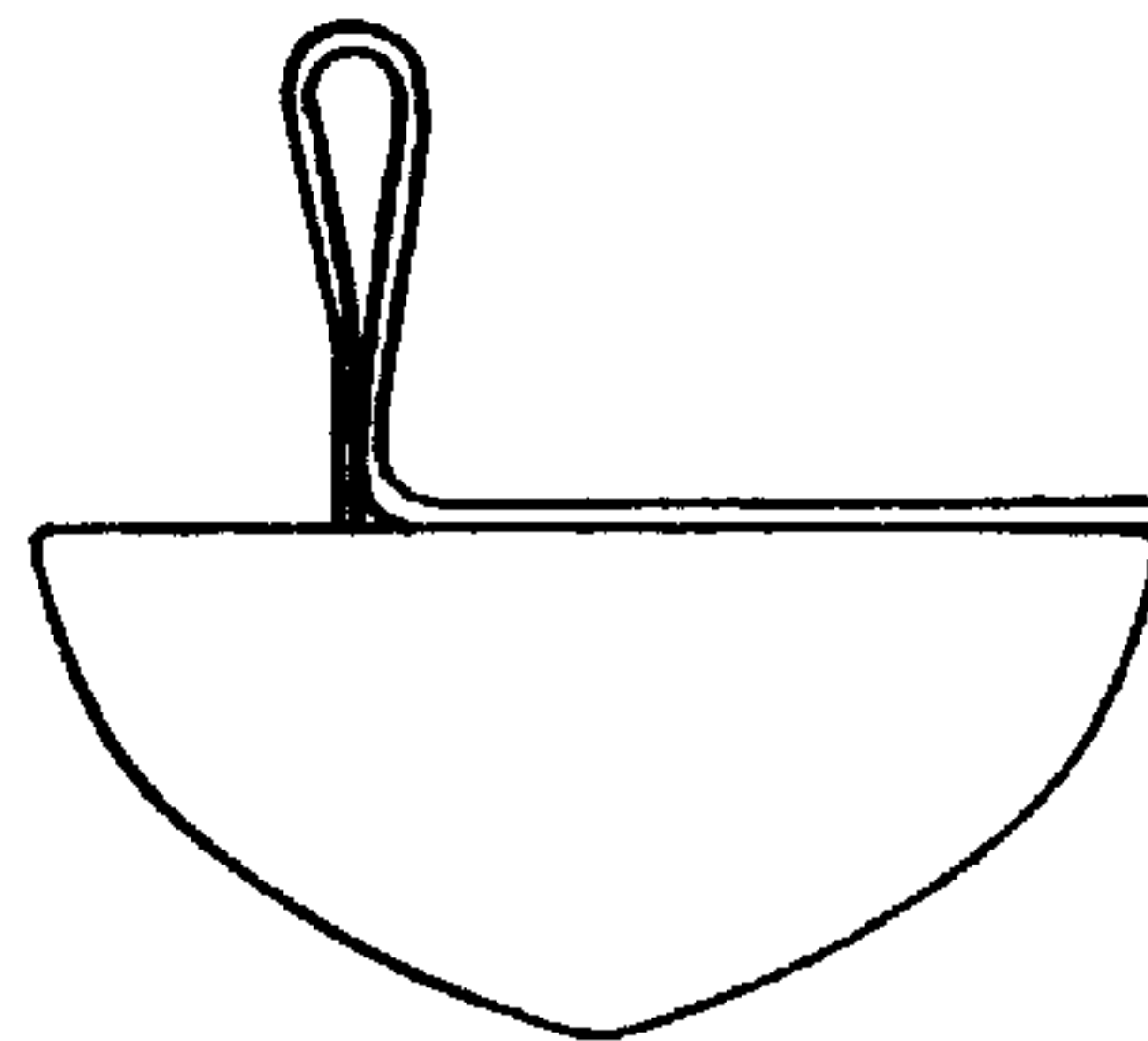


Fig. 1

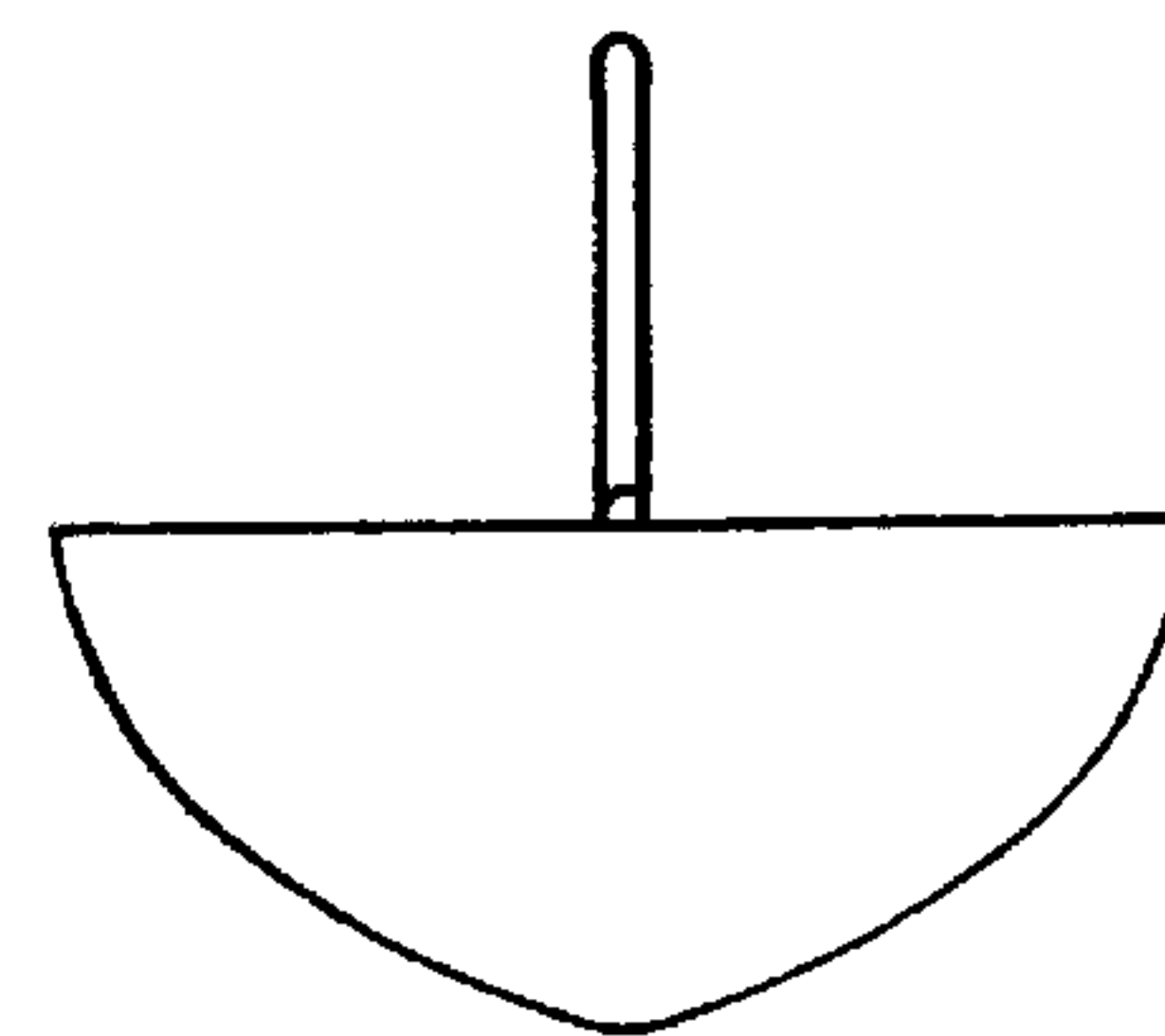


Fig. 3

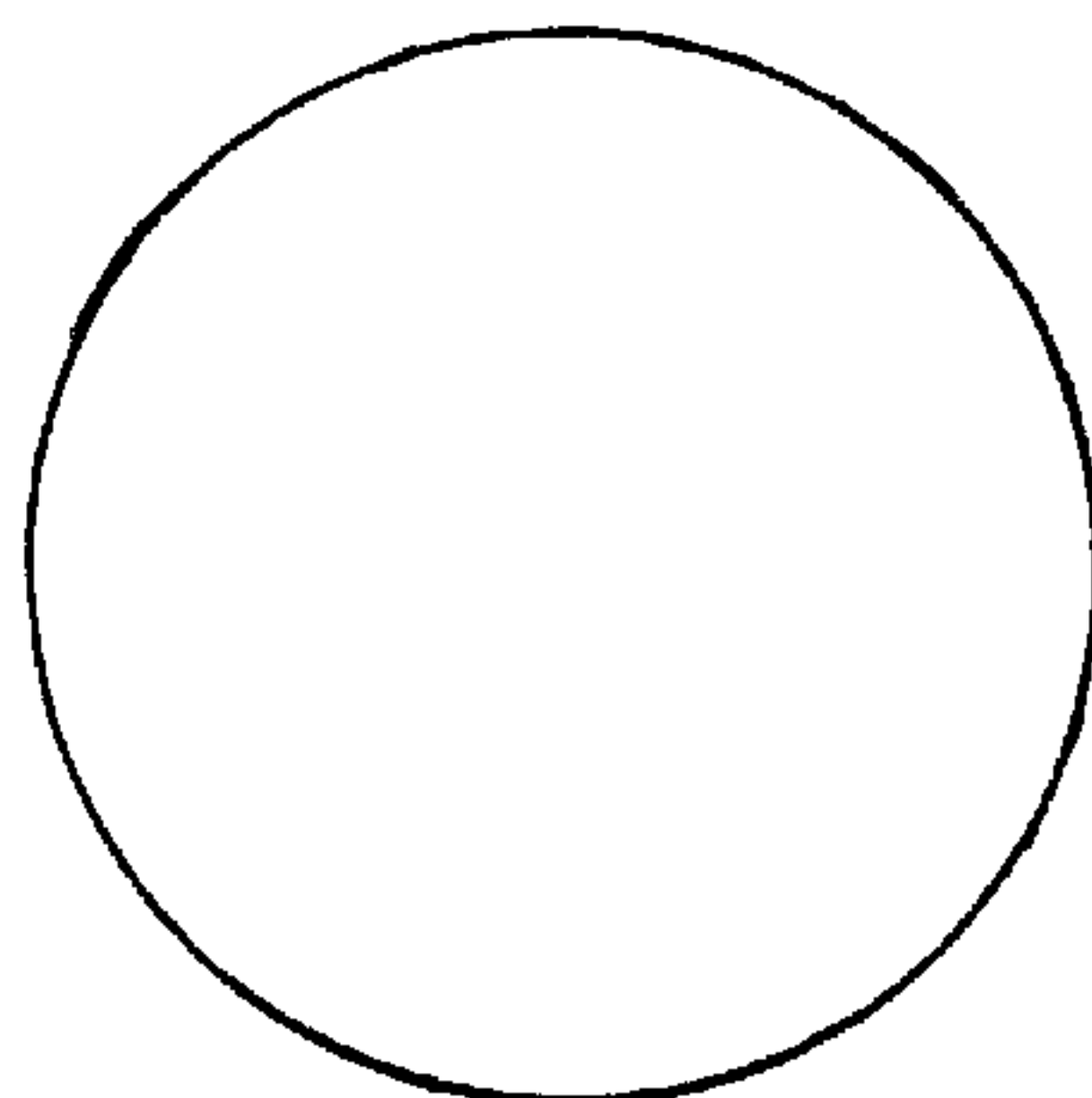


Fig. 5

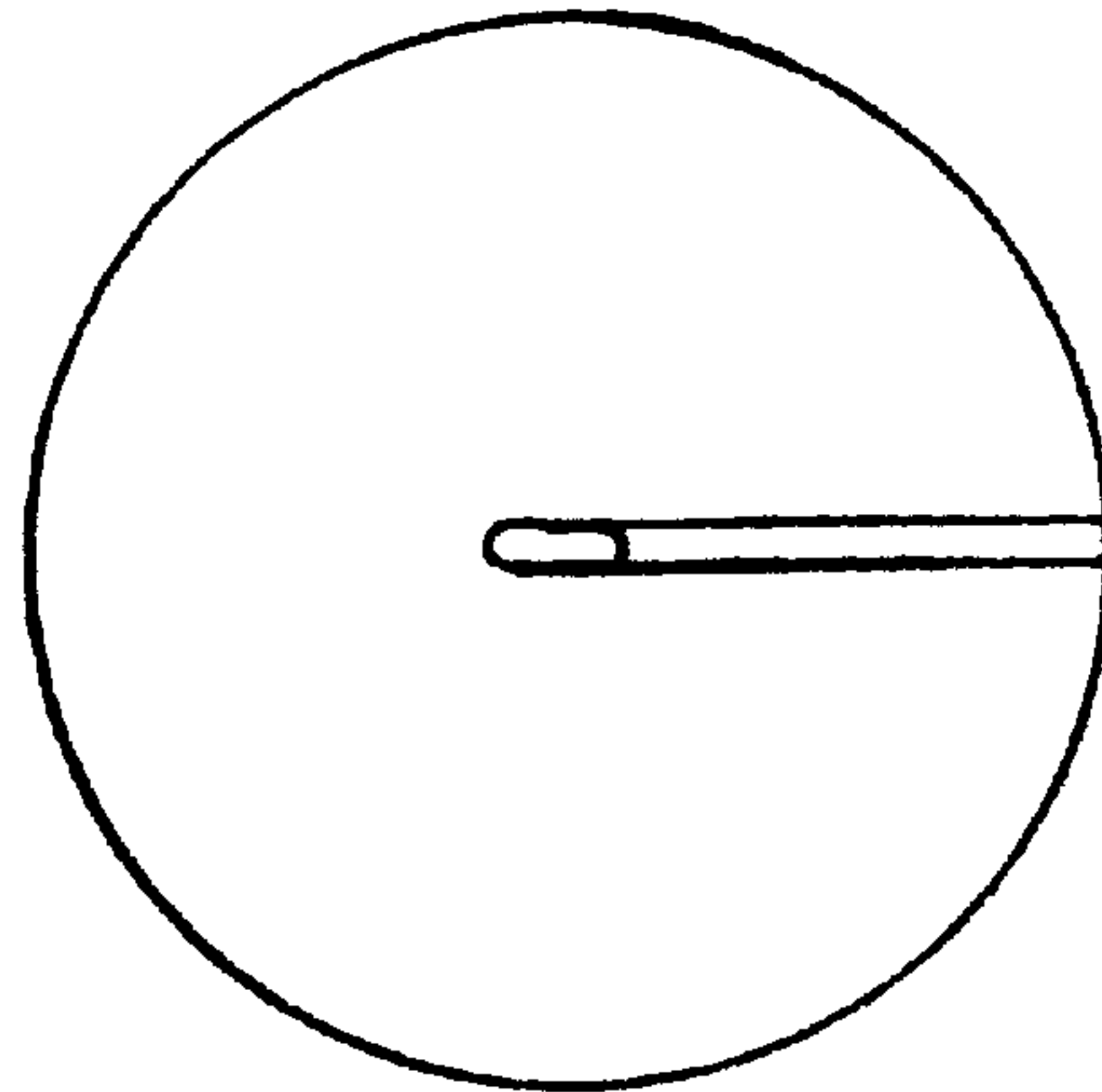


Fig. 7

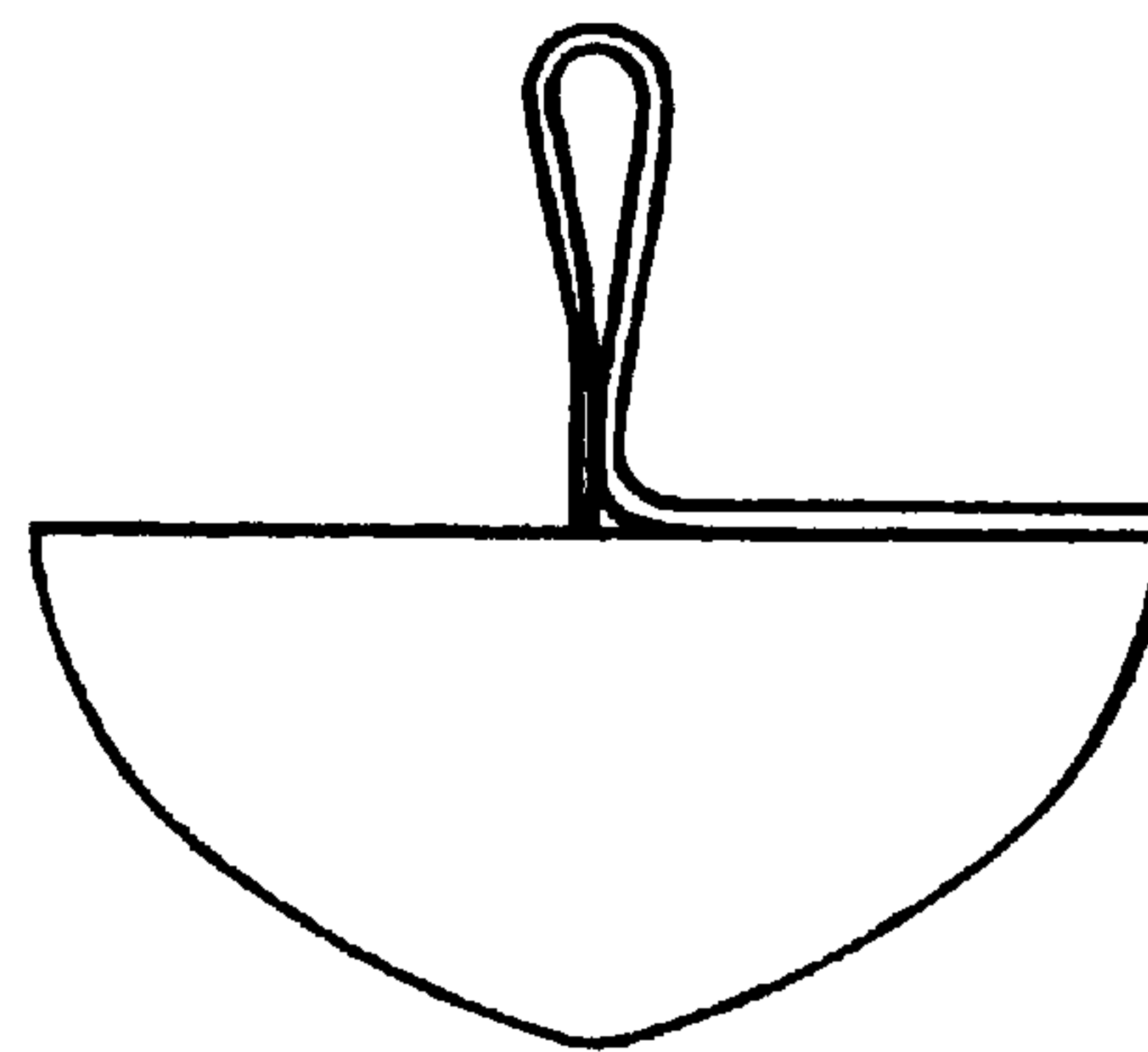


Fig. 6

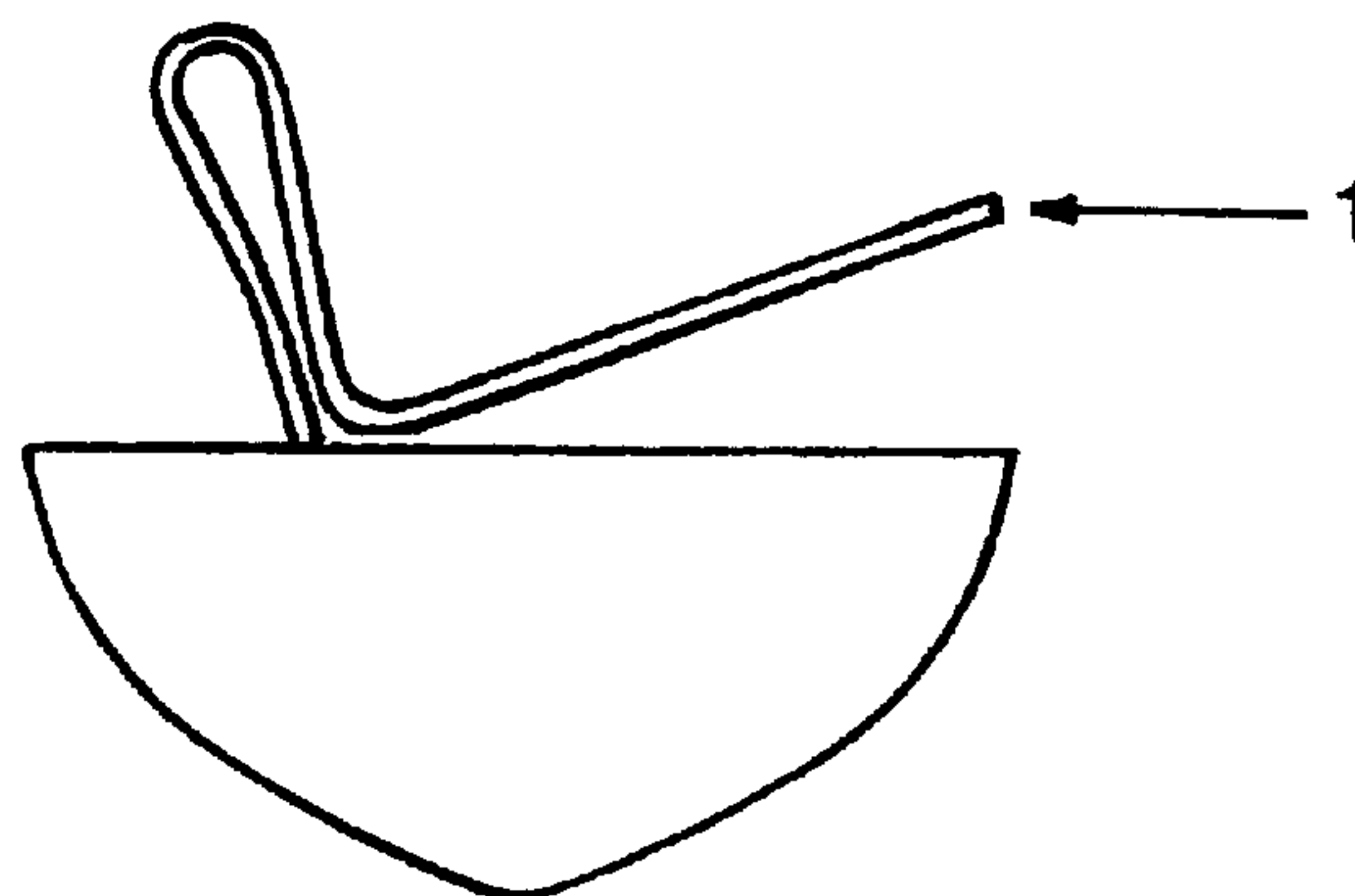


Fig. 8