

US00D545936S

(12) **United States Design Patent** (10) **Patent No.:** **US D545,936 S**  
**Metaxatos et al.** (45) **Date of Patent:** **\*\* Jul. 3, 2007**

(54) **MOSQUITO TRAP DEVICE**

WO WO 00/32040 6/2000

(75) Inventors: **Paul K. Metaxatos**, Swampscott, MA (US); **Kurt M. Maw**, Lexington, MA (US); **Eric Nichols**, Cambridge, MA (US); **E. Cole Nelson, Jr.**, Lakewood, IL (US)

(73) Assignee: **Intermatic Incorporated**, Spring Grove, IL (US)

(\*\*) Term: **14 Years**

(21) Appl. No.: **29/226,639**

(22) Filed: **Mar. 30, 2005**

(51) **LOC (8) Cl.** ..... **22-06**

(52) **U.S. Cl.** ..... **D22/122**

(58) **Field of Classification Search** ..... D22/119–125;  
43/107, 112–113, 122, 124, 132.1, 133, 139  
See application file for complete search history.

(56) **References Cited**

**U.S. PATENT DOCUMENTS**

4,160,335 A	7/1979	Von Kohorn et al. ....	43/131
4,506,472 A	3/1985	Barman .....	43/87
4,506,473 A	3/1985	Waters .....	43/107
4,519,776 A	5/1985	DeYoreo et al. ....	431/328
5,205,064 A	4/1993	Nolen .....	43/112
5,327,675 A	7/1994	Butler et al. ....	43/113
6,032,406 A	3/2000	Howse et al. ....	43/114
6,055,766 A	5/2000	Nolen et al. ....	43/112
6,305,122 B1	10/2001	Iwao et al. ....	43/112
D467,635 S *	12/2002	Andrews et al. ....	D22/122
D498,812 S *	11/2004	Warner .....	D22/122
D514,656 S *	2/2006	Jean .....	D22/122
D536,413 S *	2/2007	Duston .....	D22/122
2002/0011020 A1	1/2002	Nelson et al. ....	43/107
2003/0000126 A1	1/2003	Lenz .....	43/112

**FOREIGN PATENT DOCUMENTS**

WO	WO 89/12389	12/1989
WO	WO 98/11774	3/1998

**OTHER PUBLICATIONS**

Journal of the American Mosquito Control Association, 14(2): 186-195, 1998 Copyright © 1998 by the American Mosquito Control Association, Inc.—Field Evaluation of Colored Light-Emitting Diodes as Attractants for Woodland Mosquitoes and Other Diptera in North Central Florida.

The Biology of Mosquitoes, vol. 2 Sensory Reception and Behavior, Chapter A.N. Clements, London School of Hygiene and Tropical Medicine, 1999. Chapter 33 Flight; 37 The sources and characteristics of host cues.

Journal of the American Mosquito Control Association, Mosquito News vol. 20 No. 4, Dec. 2004.

Mosquito Ecology Field Sampling Methods; Chapter 1 Sampling the Egg Population; Chapter 5 Sampling Adults by Animal Bait Catches and by Animal-Baited Traps; Second Edition published by Elsevier Science Publishers Ltd 1993; Reprinted by Chapman & Hall 1995.

<http://www.BioSensory.com/products.sthtml>, pp. 1-6, Aug. 27, 2007.

(Continued)

*Primary Examiner*—Catherine R. Oliver

(74) *Attorney, Agent, or Firm*—Brinks Hofer Gilson & Lione

(57) **CLAIM**

The ornamental design for a mosquito trap device, as shown and described.

**DESCRIPTION**

FIG. 1 is a perspective view of the mosquito trap device showing our new design;

FIG. 2 is a front view thereof.

FIG. 3 is a back view thereof.

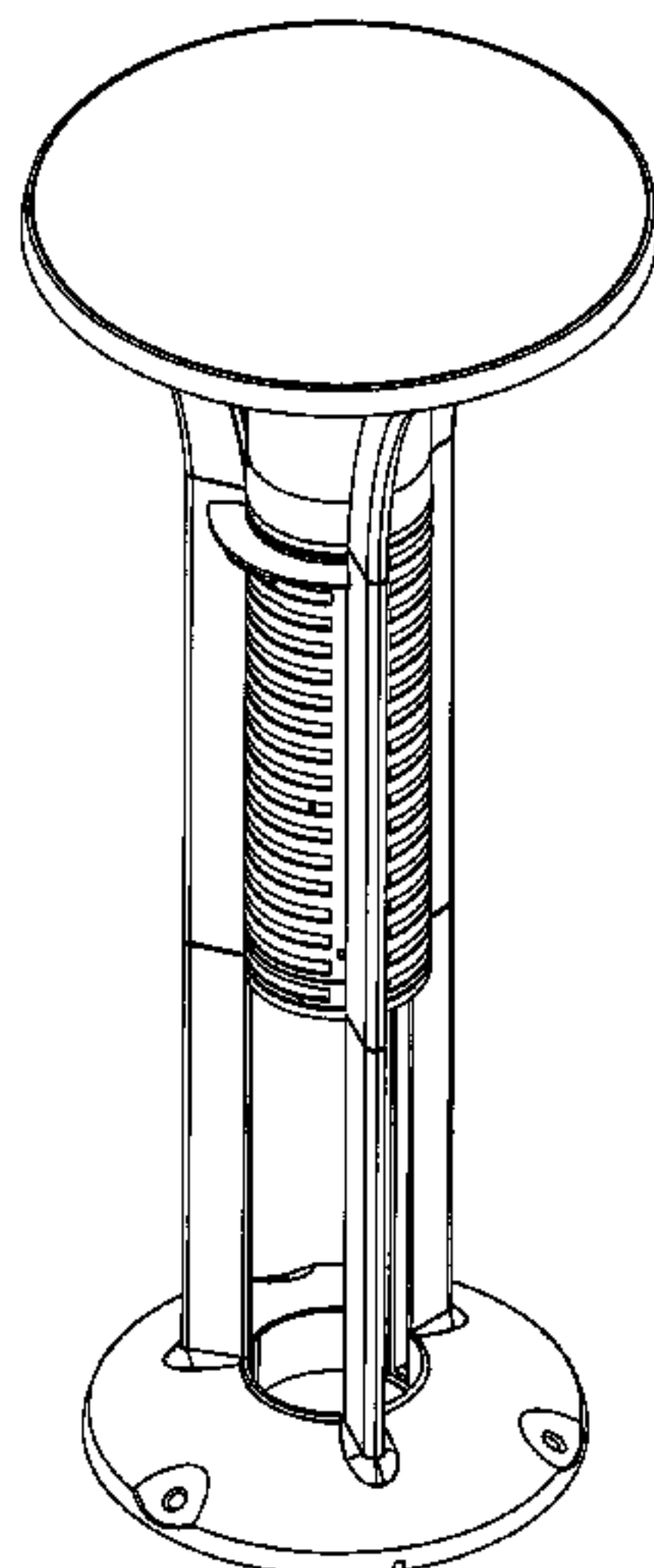
FIG. 4 is a right side view thereof.

FIG. 5 is a left side view thereof.

FIG. 6 is a top view thereof; and,

FIG. 7 is a bottom view thereof.

**1 Claim, 7 Drawing Sheets**



## OTHER PUBLICATIONS

- Wayne J. Crans, *Products and Promotions that Have Limited Value for Mosquito Control*, <http://www.rci.rutgers.edu/~insects/proprom.htm>, 3 pgs., Aug. 27, 2002.
- <http://www.howstuffworks.com/mosquito.htm/printable>, Howstuffworks, *How Mosquitoes Work*, pp. 3-10, Aug. 24, 2002.
- [http://www.fastpestcontrol.com/mosquito\\_control.htm](http://www.fastpestcontrol.com/mosquito_control.htm), Pest Control Solution That Works, pp. 2-5, Aug. 24, 2002.
- <http://www.garlicbarrier.com/MosquitoBarrier.html>, *America's Only Mosquito Repellent for Grassy Area; Yards, Parks, Athletic Field and Golf Courses*, Mosquito Barrier-A garlic concentrate that repels mosquitoes, pp. 1-4, Aug. 24, 2002.
- Jim Nolen, *Wing Beats "Bits, Bytes and Biological Barriers."* <http://www.mosquitosolutions.com/nolen2.html>, pp. 1-6, Aug. 24, 2002.
- <http://www.mosquitosolutins.com/testcongnito.html>, *Mosquito Solutons Mosquito 'Cognito Test Results*, pp. 1-5, Oct. 7 to Oct. 15, 1998.
- <http://www.mosquitosolutions.com/order.html>, *Mosquito Solutions Product Listing*, pp. 1-3, Aug. 24, 2002.
- <http://www.mosquitosolutions.com>, *Mosquito Solutions Presents the all New Dragonfly Mosquito System*, pp. 1-2, Aug. 24, 2002.
- <http://www.compactappliances.com/jump.jsp?itemID=2367&itemType=PRODUCT&path>, Compact Appliance, Inc., 1-2, Aug. 24, 2002.
- <http://www.comforthouse.com/pesrewitult.html>, *Lentek MK01 Mosquito Trap (you supply the propane tank)*, pp. 1-3, Aug. 26, 2002.
- [http://www.mosquitoes.com/off\\_lamp.asp](http://www.mosquitoes.com/off_lamp.asp), *OFF!® Mosquito Lamp and OFF!® Hanging Mosquito Lantern*, p. 1 of 1, Aug. 26, 2002.
- [http://www.mosquitoes.com/off\\_answers\\_lamp.asp](http://www.mosquitoes.com/off_answers_lamp.asp), *Questions & Answers*, pp. 1-3, Aug. 26, 2002.
- <http://www.ftc.gov/opa/2001/05-fyi0918.htm>, FTC Warns Manufacturers and Retailers of Ultrasonic Pest-Control Devices, pp. 1-2, May 3, 2001.
- <http://www.skeeterbites.com/index-mainpage.html>, 2 pgs. *News Flash WNV '02 Outbreak Biggest of Its Kind in West*. More . . . , Dec. 12, 2002.
- <http://www.compactappliances.com/shopping/product/detailmain.jsp?itemID=2365&item>, one page, Compact Appliance, Inc., Aug. 24, 2002.
- <http://www.mosquitomagnetdepot.com/intro.htm>, Mosquito Magnet Depot's Biting Insect Control, pp. 1-2, Aug. 24, 2002.
- <http://mosquitotechnologies.com/howitworks.htm>, *How it Works* Mosquito Technologies of New York, Inc., Aug. 27, 2002.
- <http://www.skeeter-eater.com/home/html>, Skeeter-Eater.com Home of the American Biophysics Mosquito Magnet™ Experts, pp. 1-2, Aug. 27, 2002.
- <http://www.mosquitotechnologies.com/shop.htm>, *The Mosquito Killing System MKS-L100*, Mosquito Technology of New York, Inc., Aug. 27, 2002.
- <http://www.biosensory.com>, *Good Science Better Solutions*, pp. 1-2, Aug. 27, 2002.
- <http://www.biosensory.com/products.html>, BioSensory-Dragonfly and Mosquito 'Cognito Mosquito Preventions Products, pp. 1-5, Aug. 27, 2002.
- <http://www.comforthouse.com/comfort/sonicweb.html>, *SonicWeb ICH500 Backyard Insect Controller Total Backyard Protection From Mosquitoes, Flies, Midges 1 acre coverage Protects in All Direction*, Sonic Web ICH500 Backyard Mosquito Trap, pp. 1-3, Aug. 27, 2002.
- <http://www.comforthouse.com/comfort/pesrepwitult.html>, *Mosquito Trap MK01 Mosquito Control For Up to 3/4 Acre Helps Prevent Mosquito Bites Enjoy Your Backyard Without the Worry of Mosquitoes*, pp. 1 of 3, Aug. 27, 2002.
- ESA 2002 Annual Meeting and Exhibit, Nov. 17-20 Fort Lauderdale, Florida, Printed Aug. 26, 2002.
- <http://www.sonicweb.com/tvoffer.html>, *SonicWeb, SonicWeb™ Biting Insect Control Special TV Offer*, pp. 1-2 Aug. 26, 2002.
- <http://www.pestfacts.org/media>, *West Nile Virus Information Center*, pp. 1-2, August 26, 2002.
- <http://www.mosquitomagnetdepot.com/intro.htm>, Mosquito Magnet Depot's Biting Insect Control., pp. 1 of 2, Aug. 24, 2002.
- [www./www.acponline.org/journals/annal/01jun98/mosquito.htm](http://www.acponline.org/journals/annal/01jun98/mosquito.htm), Mark S. Fradin, MD, *Mosquitoes and Mosquito Repellents: A Clinician's Guide*, pp. 1-18, Annals of Internal Medicine, Jun. 1, 1998.
- <http://www.coleman.com/coleman/backhome/mosquito.asp>, Mosquito Deleto, Eliminate the Buzz, p. 1, Oct. 2, 2002.
- <http://www.biosensory.com>, *Good Science Better Solutions*, pp. 1-2, BioSensory, Inc., —Products for Mosquito Abatement and Pest Control Professionals, Oct. 1, 2002.
- <http://www.biosensory.com/profile.shtml>, p. 1, Company Profile, Oct. 1, 2002.
- <http://www.biosensory.com/news/A01.html>, Appliance Manufacturer "Mosquito Eater," BioSensory Research-Articles & Publications, p. 1 of 2, Oct. 1, 2002.
- <http://www.biosensory.com/news/A03.html>, Organic Gardening "Skeeter Defeater," BioSensory Research-Articles & Publications, p. 1 of 2, Oct. 1, 2002.
- <http://www.mosquitomagnetdepot.com/intro.htm>, Mosquito Magnet Depot's Biting Insect Control, p. 1, Aug. 24, 2002.
- <http://www.mosquito.org/MosqInfo/Traps.htm>, p. 1 of 2, Aug. 24, 2002.
- [http://www.brookstone.com/shop/product.asp?product\\_code=349779&world\\_code=5&cat...](http://www.brookstone.com/shop/product.asp?product_code=349779&world_code=5&cat...), p. 1, Brookstone.com, New Mosquito Eradicator, Aug. 27, 2002.
- Catalog of Frontgate Outfitting America's Finest Homes, Mosquito Magnet, 1p. Front and Back, Aug. 2002.
- Catalog of Frontgate Outfitting America's Finest Homes, Mosquito Magnet, 1p. Front and Back, published prior to filing of this application.
- <http://www.skeeter-eater.com/testimonials.html>, Skeeter-Eater, Home of the American Biophysics Magnet™ Experts, Testimonials, p. 1 of 1, Aug. 27, 2002.
- <http://www.skeeter-eater.com/testimonials.html>, Skeeter-Eater, Home of the American Biophysics Magnet™ Experts, Testimonials, p. 1 of 9, Aug. 27, 2002.
- [www.mosquitorepellent.com](http://www.mosquitorepellent.com), ThermaCELL®, Mosquito Repellent, Joseph Enterprises, Inc., 5pp., May 2003-Aug. 30, 2003.

\* cited by examiner



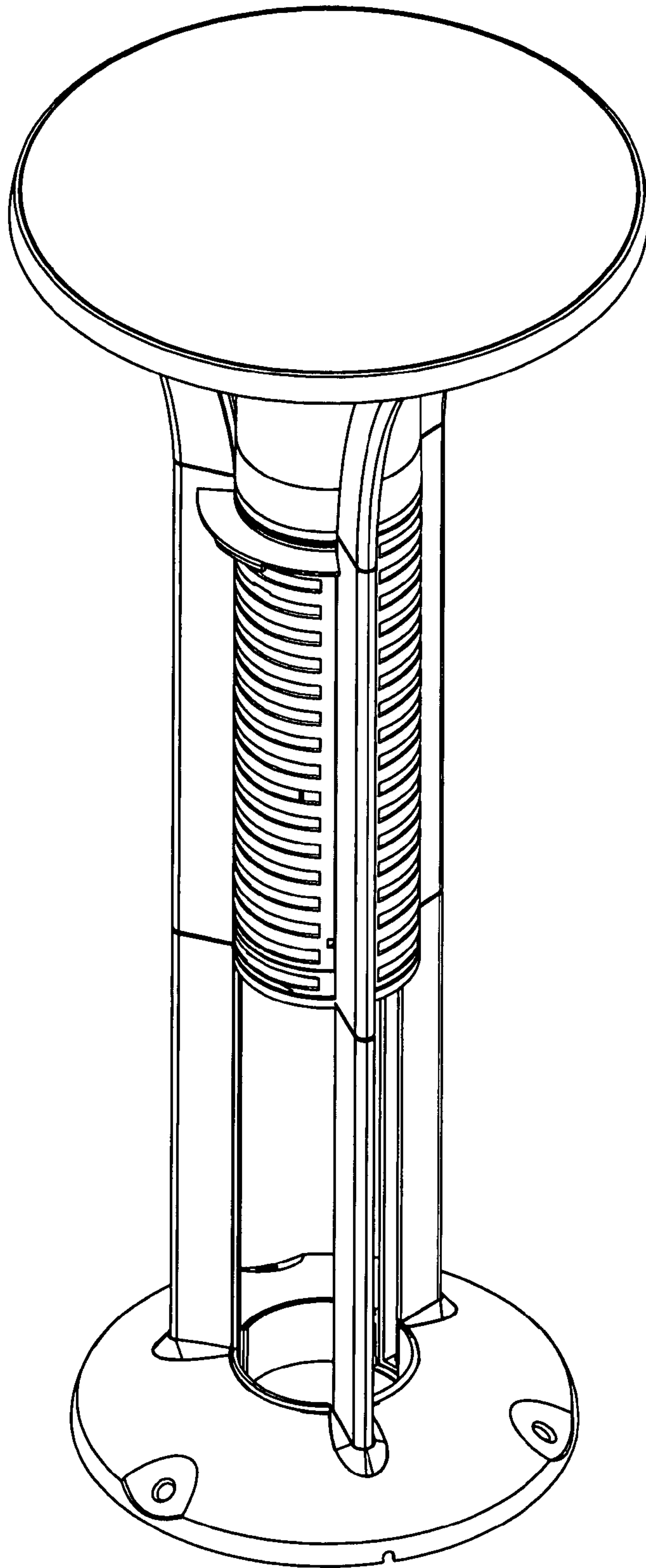


Fig. 1

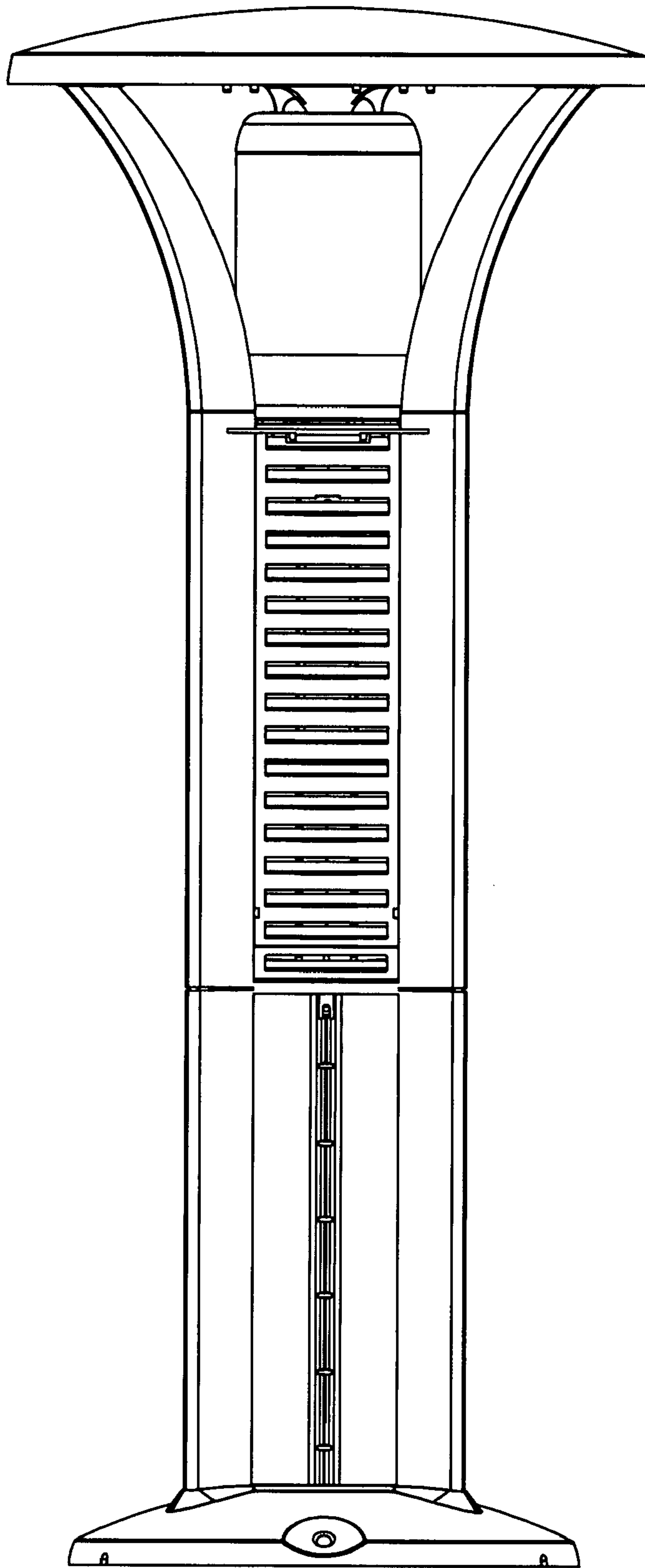


Fig. 2

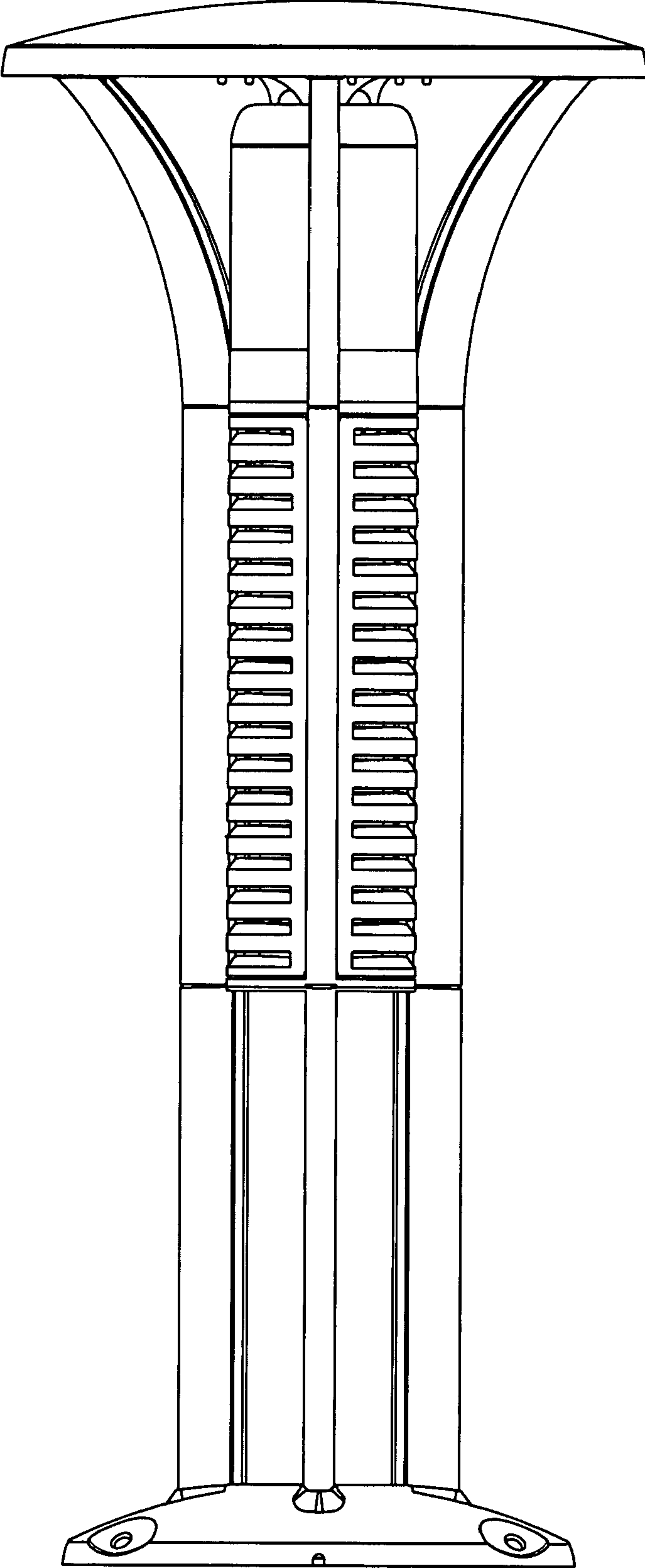


Fig. 3

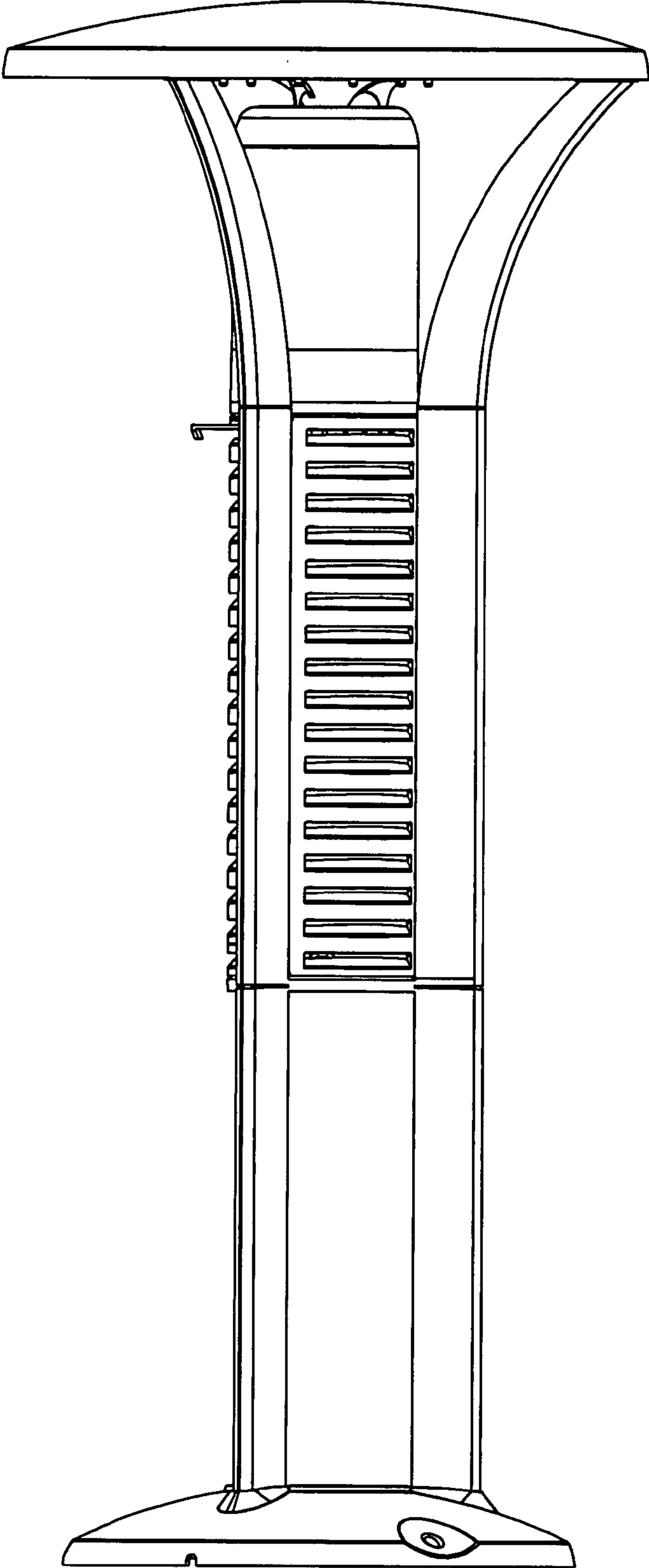


Fig. 4

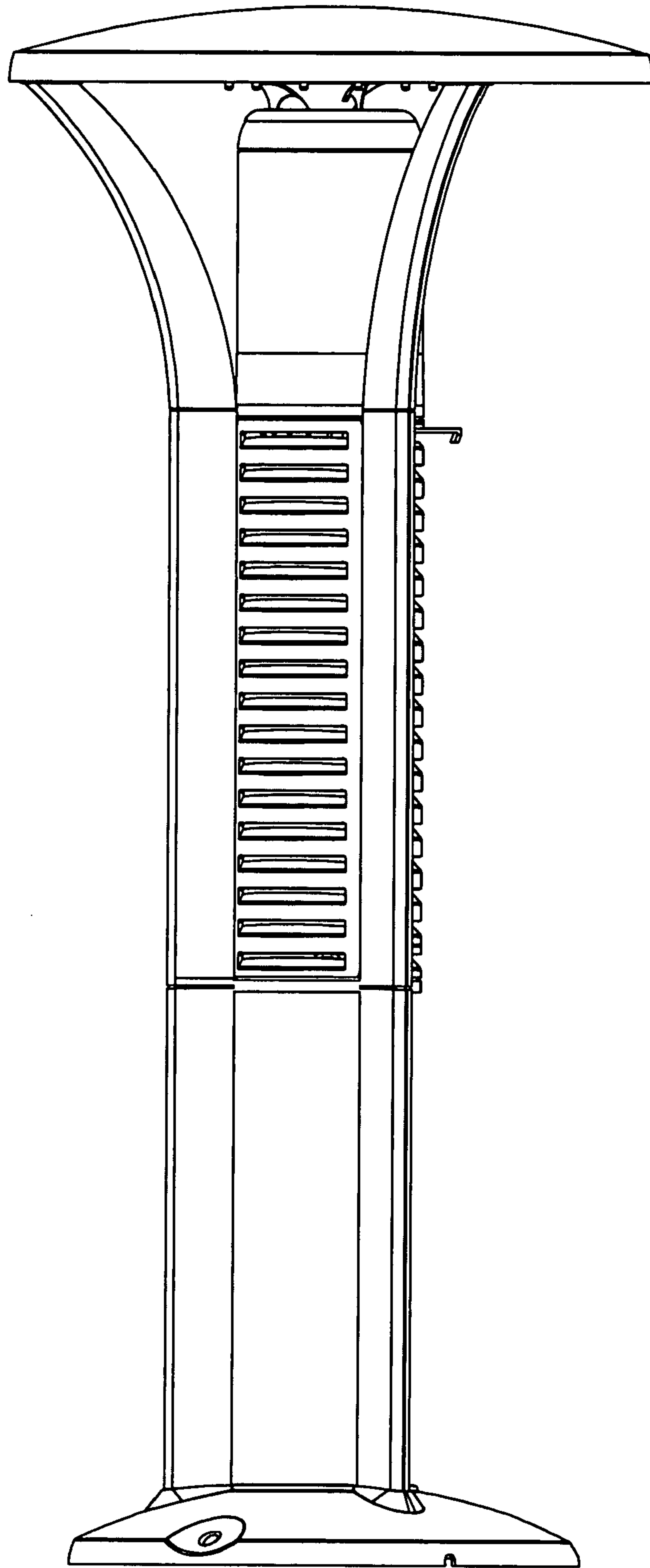


Fig. 5

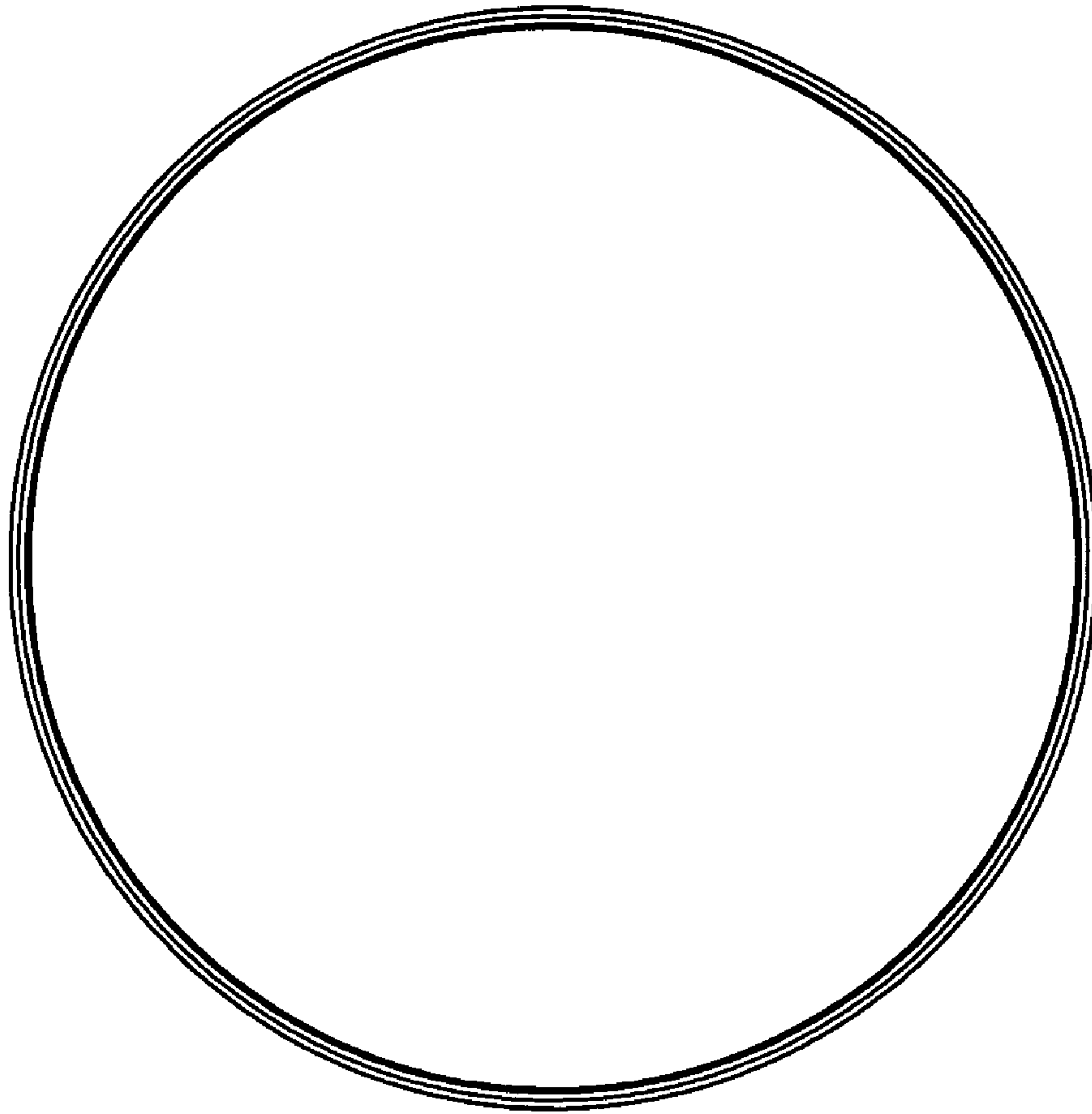


Fig.6



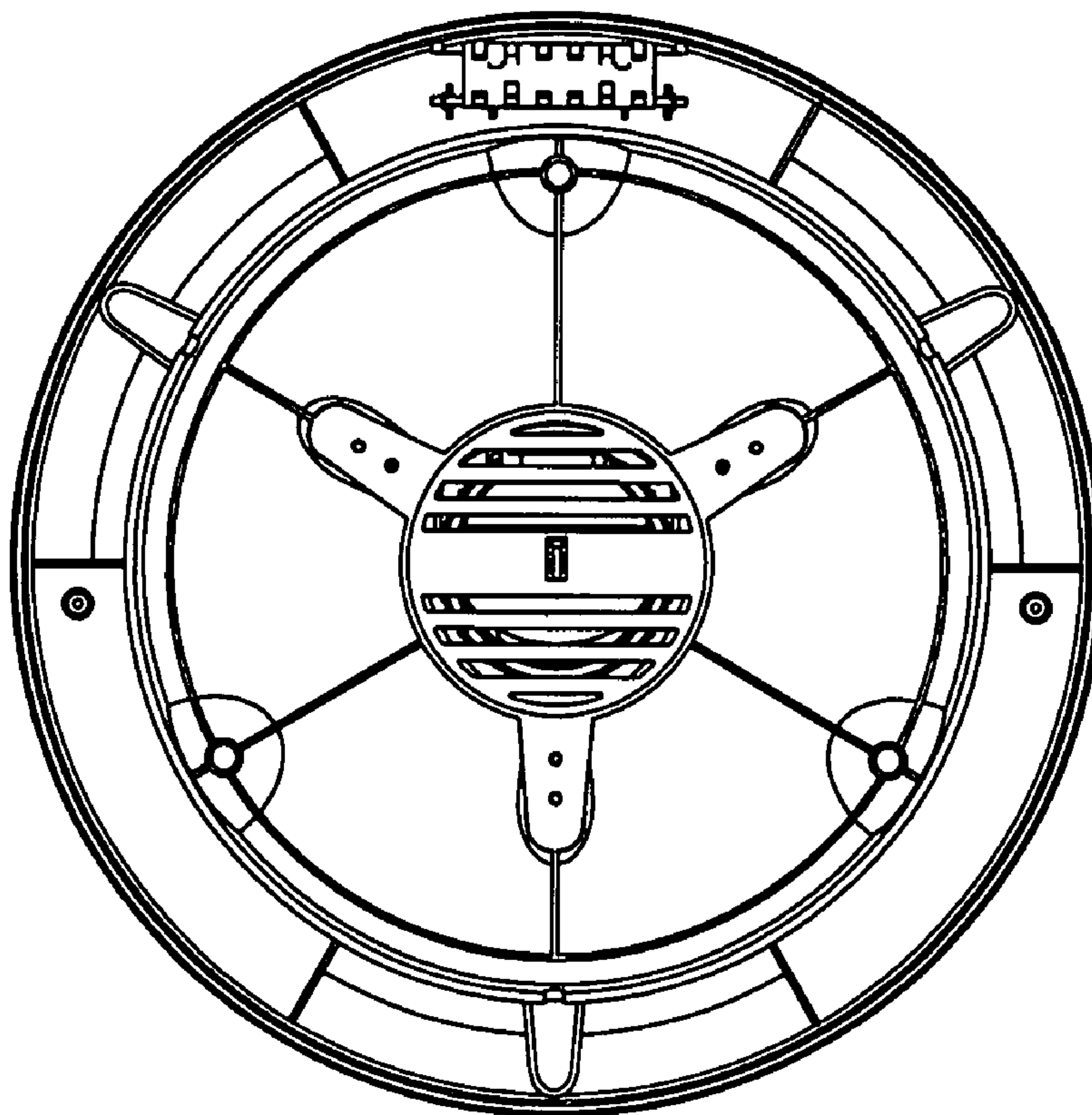


Fig. 7