

US00D545933S

(12) **United States Design Patent**
Dow

(10) **Patent No.:** **US D545,933 S**

(45) **Date of Patent:** **** Jul. 3, 2007**

(54) **CLEAT WRENCH TOOL**

(75) Inventor: **Jeremiah M. Dow**, Gilford, NH (US)

(73) Assignee: **Cleats LLC**, Marlborough, MA (US)

(**) Term: **14 Years**

(21) Appl. No.: **29/241,881**

(22) Filed: **Nov. 1, 2005**

(51) **LOC (8) Cl.** **21-02**

(52) **U.S. Cl.** **D21/789**

(58) **Field of Classification Search** D21/789,
D21/793; D8/14, 82, 83, 85, 107, 21, 25;
81/176.15, 177.1, 177.8, 489

See application file for complete search history.

(56) **References Cited**

U.S. PATENT DOCUMENTS

2,448,805	A	9/1948	Ingram	
2,881,648	A	4/1959	Hottle	
D259,698	S	6/1981	MacNeil	
D343,558	S	1/1994	Latraverse et al.	
D377,444	S *	1/1997	Lin	D8/107
D393,787	S *	4/1998	Savoie	D8/21

D409,463	S *	5/1999	McMullin	D8/25
D412,547	S *	8/1999	Fong	D21/793
D470,733	S	2/2003	Schmitt, Jr.	

* cited by examiner

Primary Examiner—Mitchell Siegel

(74) *Attorney, Agent, or Firm*—Bromberg & Sunstein LLP

(57) **CLAIM**

The ornamental design for a cleat wrench tool, as shown and described.

DESCRIPTION

FIG. 1 shows a perspective view of the bottom of a cleat wrench tool according to a preferred embodiment of the invention.

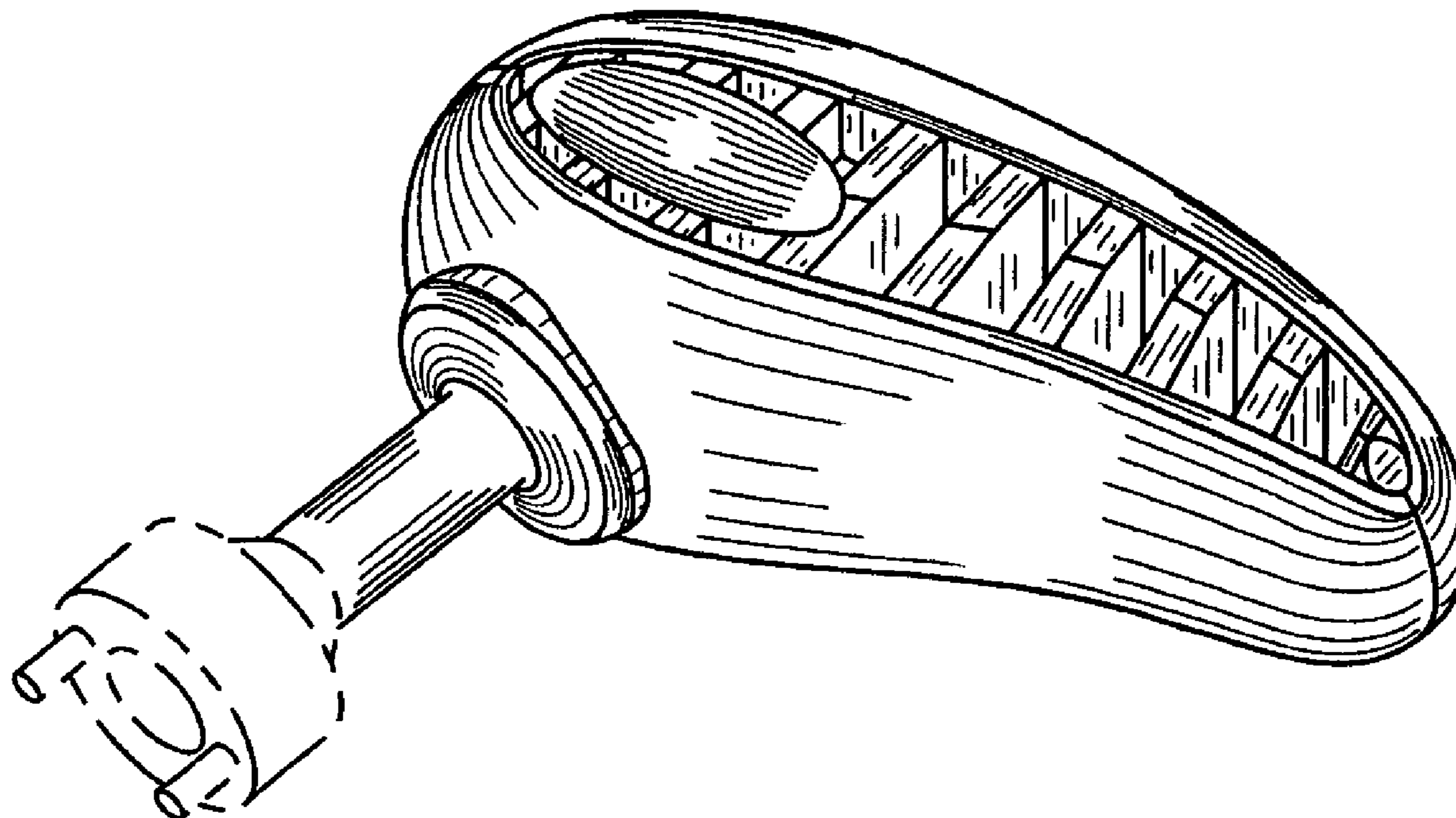
FIG. 2 shows a perspective view of the top and rear side of the cleat wrench tool of FIG. 1.

FIG. 3 shows a perspective view of the top and front side of the cleat wrench tool of FIG. 1.

FIG. 4 is a side view of the cleat wrench tool of FIG. 1; the opposite side view being a mirror image; and,

FIG. 5 shows a rear view of the cleat wrench tool of FIG. 1.

1 Claim, 2 Drawing Sheets



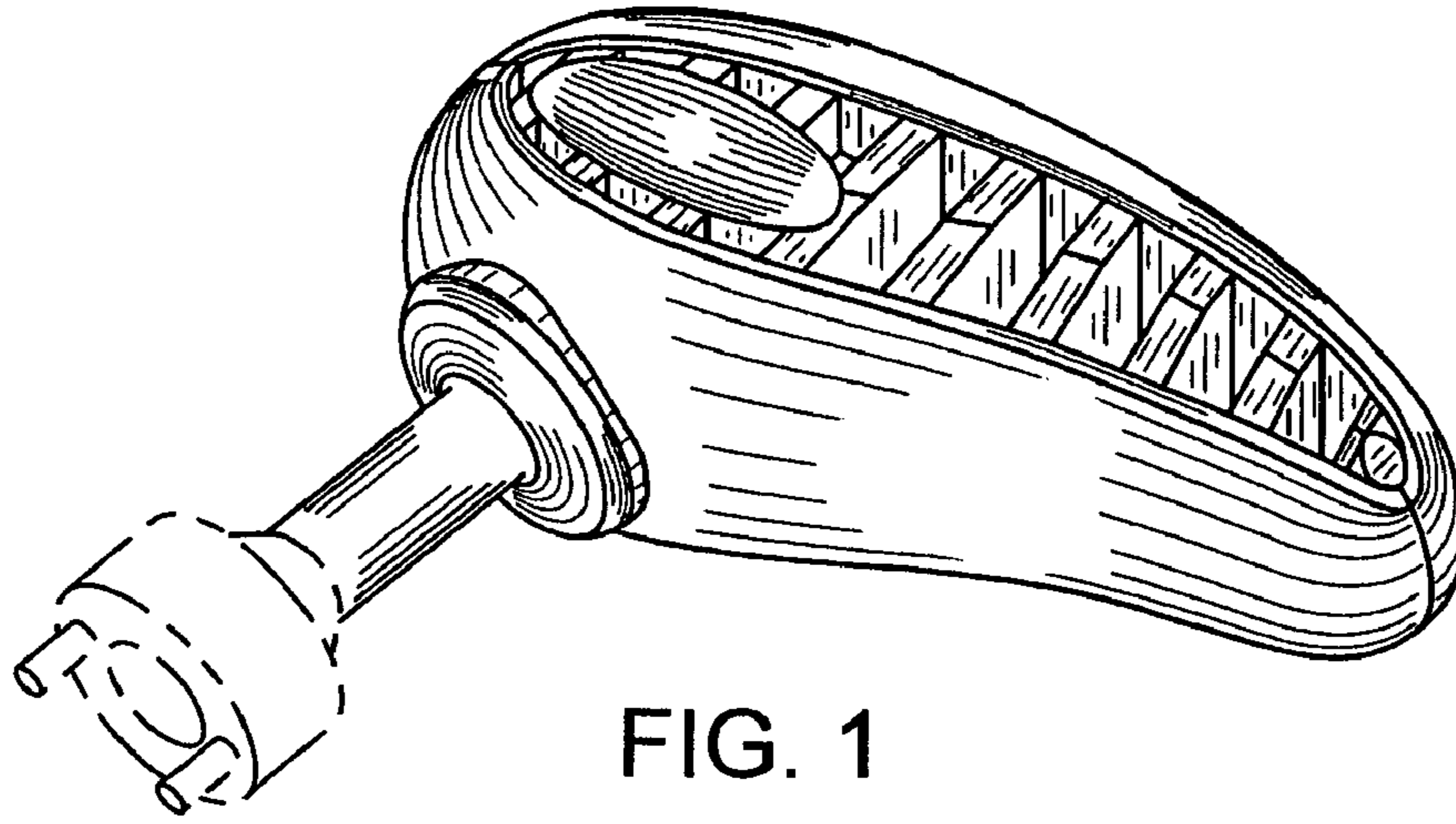


FIG. 1

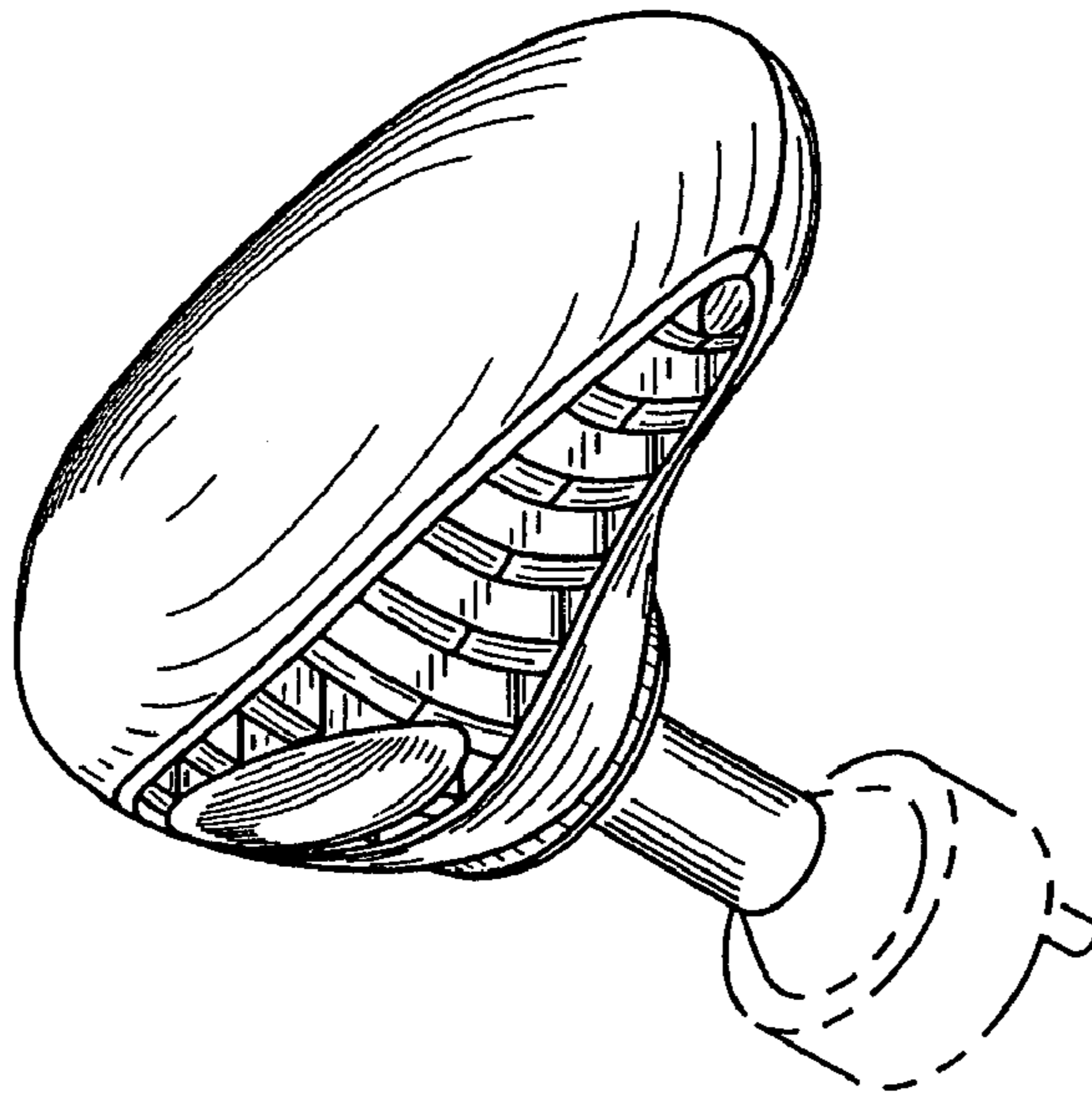


FIG. 2

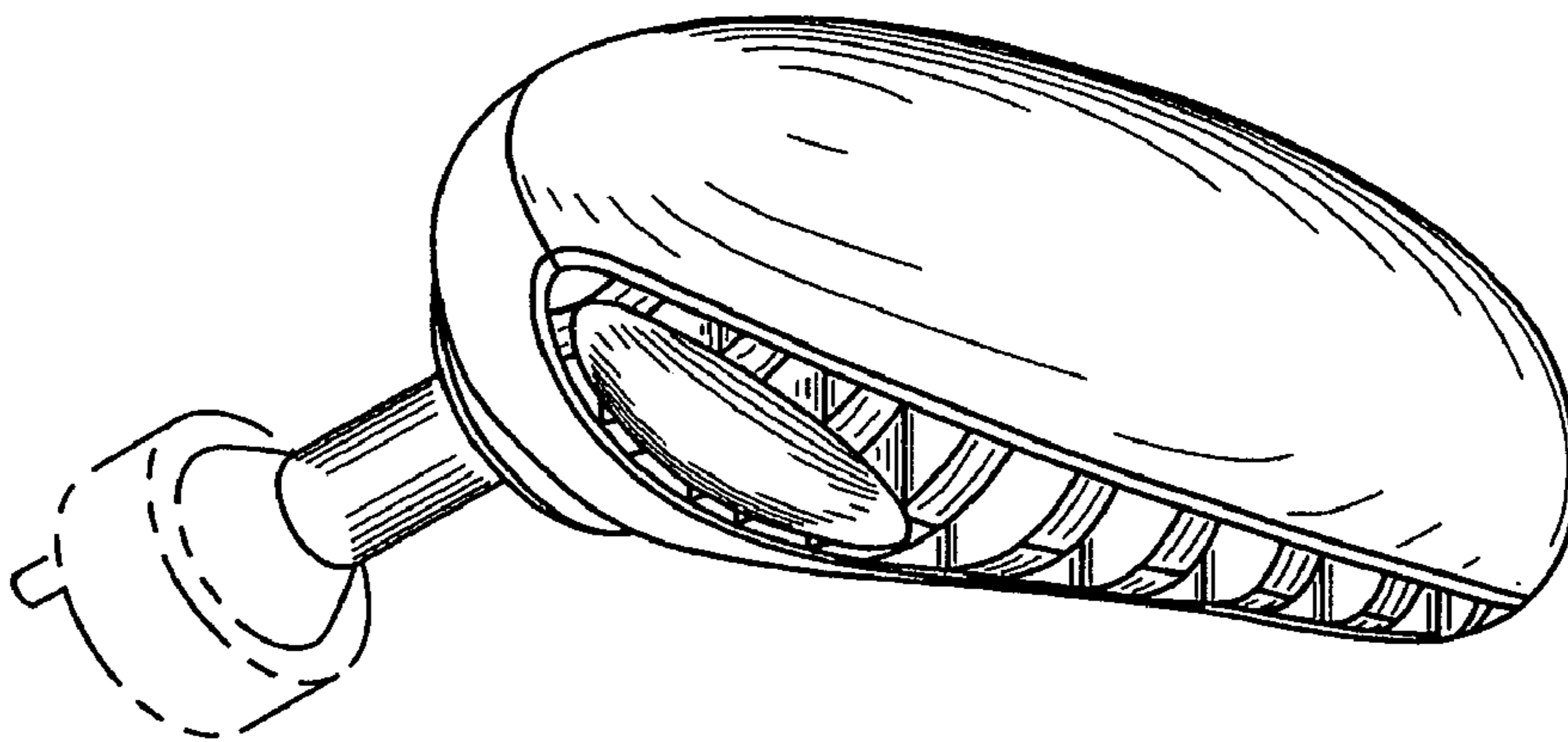


FIG. 3

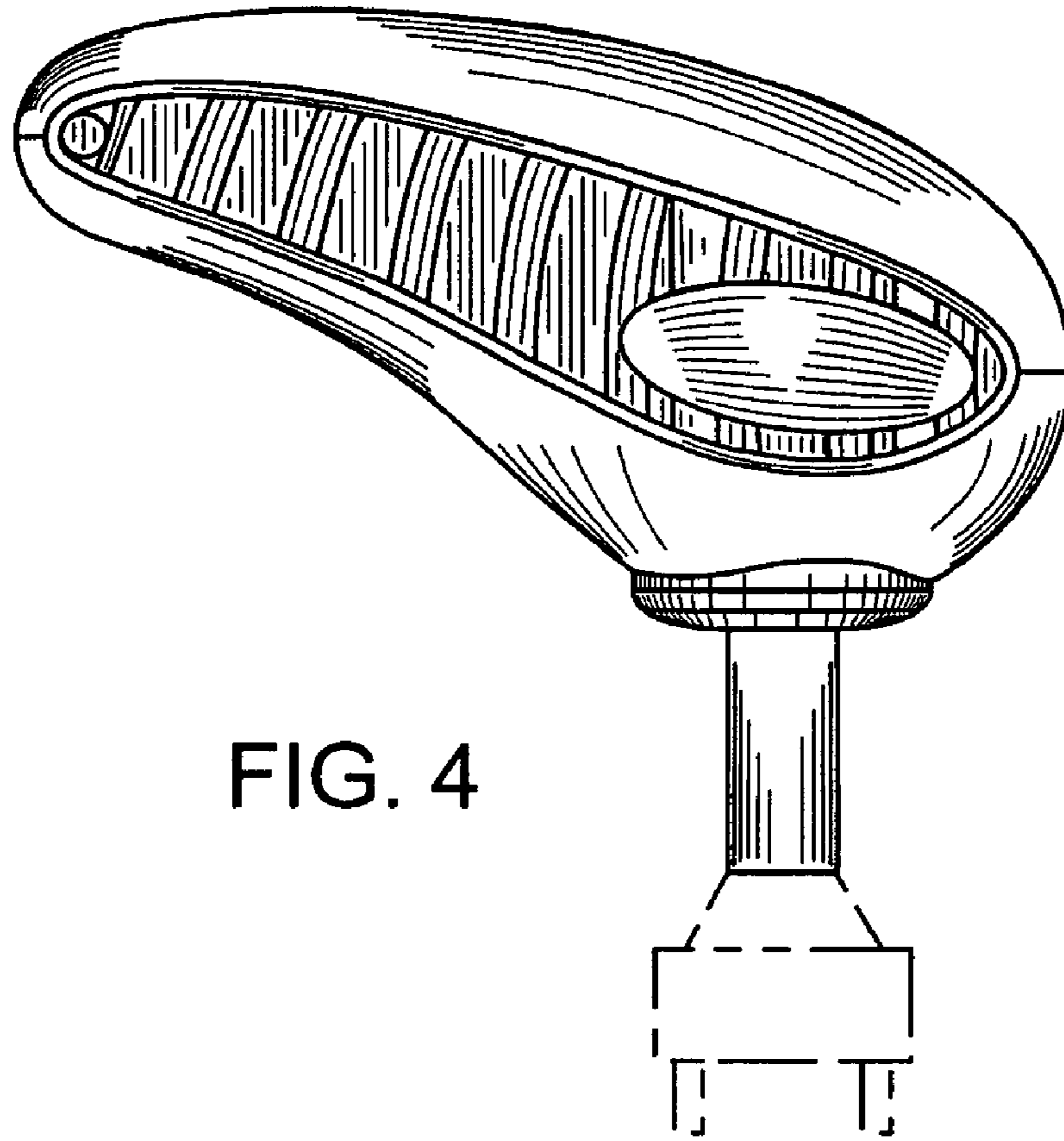


FIG. 4

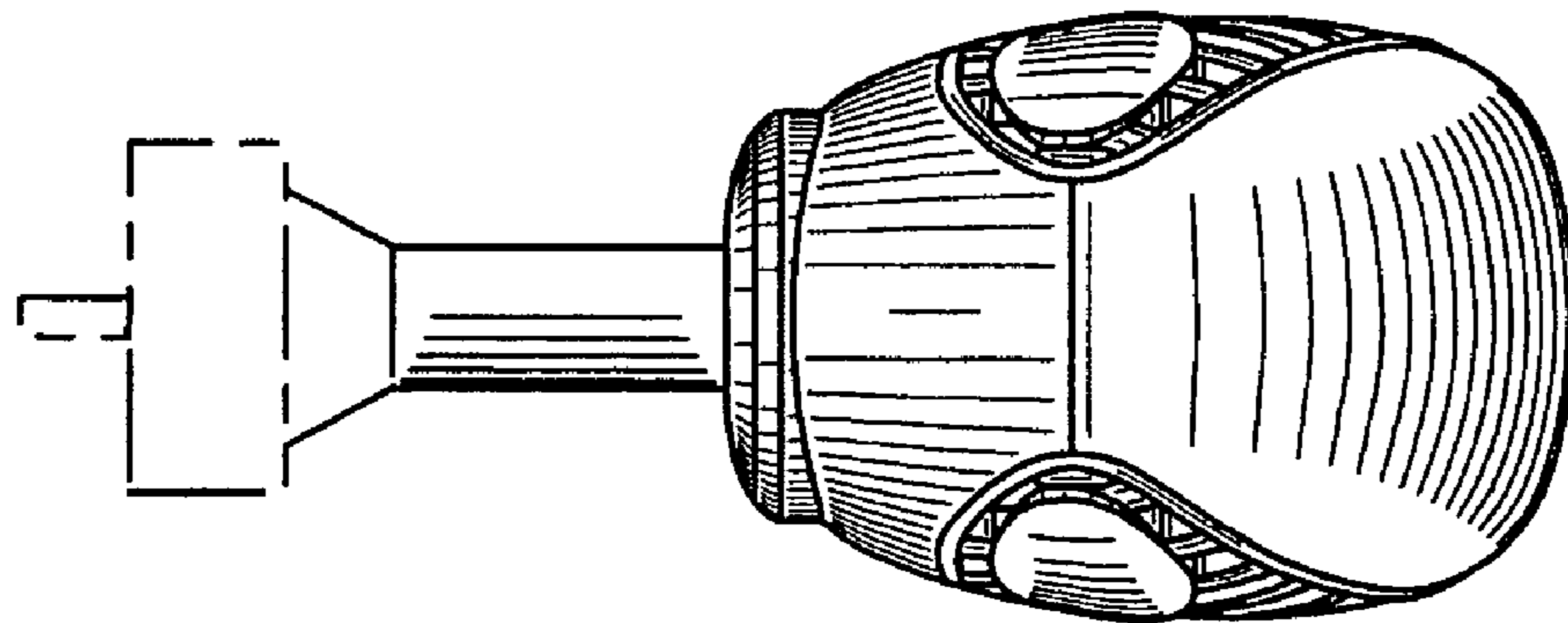


FIG. 5