

US00D545928S

(12) **United States Design Patent**
Huang

(10) **Patent No.:** **US D545,928 S**

(45) **Date of Patent:** **** Jul. 3, 2007**

(54) **DEVICE FOR YOGA EXERCISING**

D507,312 S * 7/2005 Nishiyama et al. D21/690
D509,076 S * 9/2005 Beck D6/354

(76) Inventor: **Ming-Chih Huang**, 1F., No. 530-3,
Hong-Chang 12th Street, Taoyuan (TW)

* cited by examiner

(**) Term: **14 Years**

Primary Examiner—Cathron C. Brooks

Assistant Examiner—Abraham Bahta

(21) Appl. No.: **29/262,665**

(74) *Attorney, Agent, or Firm*—Troxell Law Office, PLLC

(22) Filed: **Jul. 10, 2006**

(57) **CLAIM**

(51) **LOC (8) Cl.** **06-01**

The ornamental design for a device for yoga exercising, as shown.

(52) **U.S. Cl.** **D21/690; D21/687**

(58) **Field of Classification Search** D6/354,
D6/349, 350–355, 495–496, 498–499; 297/195.1,
297/204, 214; D21/686–690, 695, 662; 482/141,
482/142, 130, 133, 91, 95, 140, 148
See application file for complete search history.

DESCRIPTION

FIG. 1 is a front perspective view of a device for yoga exercising showing my new design;

FIG. 2 is a front elevational view thereof;

FIG. 3 is a rear elevational view thereof;

FIG. 4 is a left side elevational view thereof;

FIG. 5 is a right side elevational view thereof;

FIG. 6 is a top plan view thereof; and,

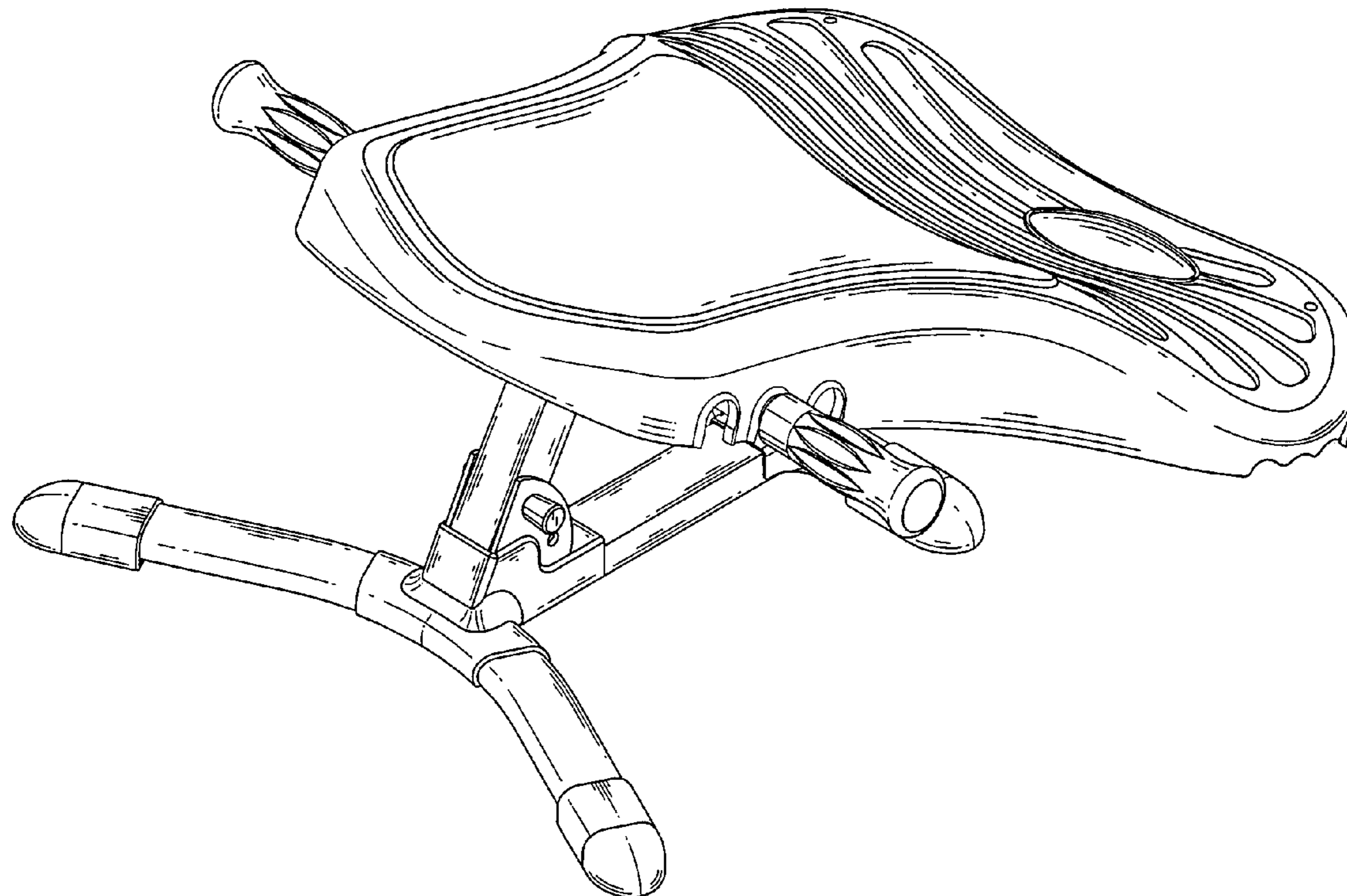
FIG. 7 is a bottom plan view thereof.

(56) **References Cited**

U.S. PATENT DOCUMENTS

D277,722 S *	2/1985	Gusrud	D6/340
D350,450 S *	9/1994	Hassel et al.	D6/349
D440,264 S *	4/2001	Venhuizen	D21/690
6,390,960 B1 *	5/2002	Boland	482/140
D478,137 S *	8/2003	Ho et al.	D21/687
D496,813 S *	10/2004	Nakajima	D6/502

1 Claim, 7 Drawing Sheets



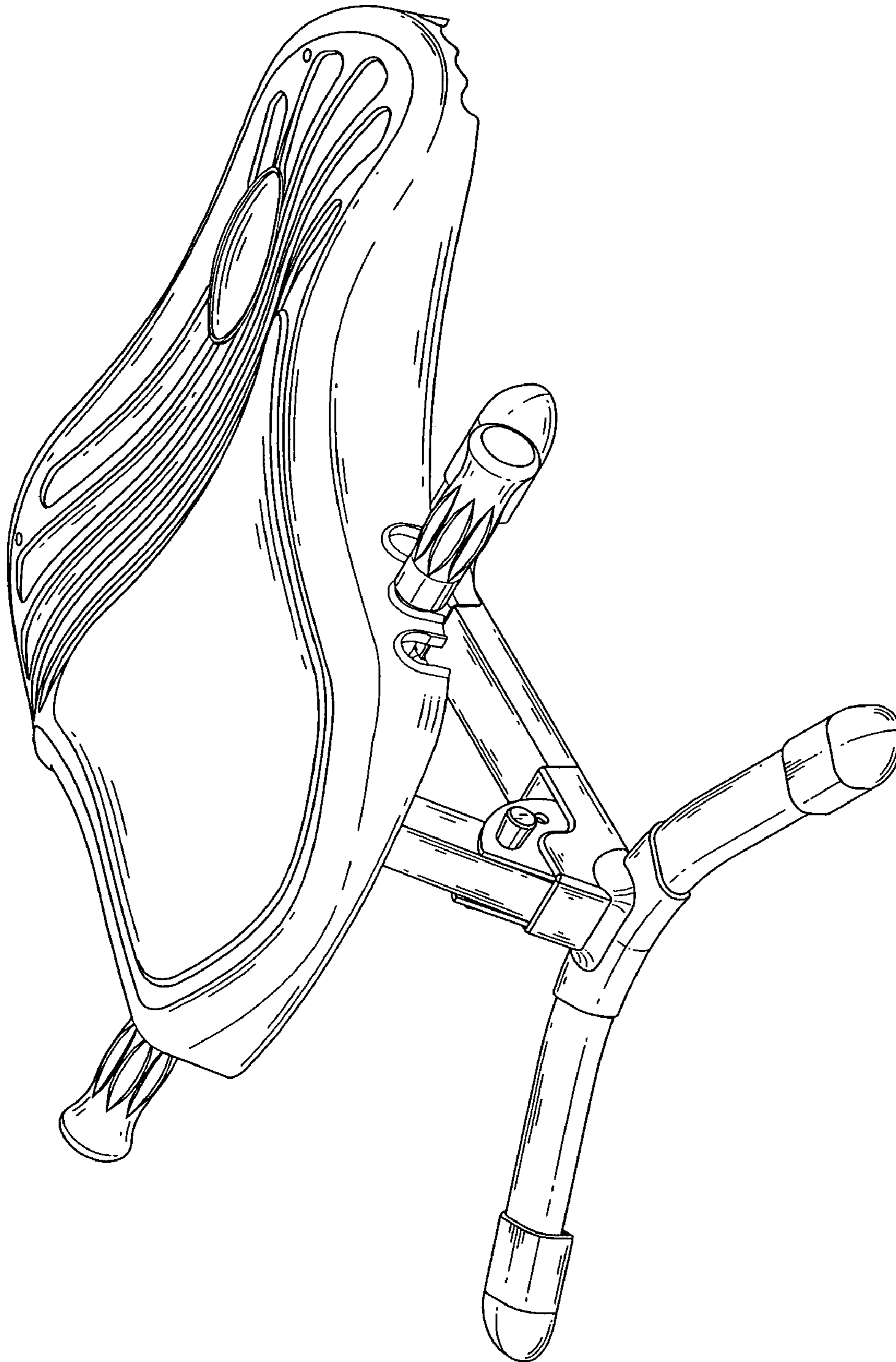


Fig. 1

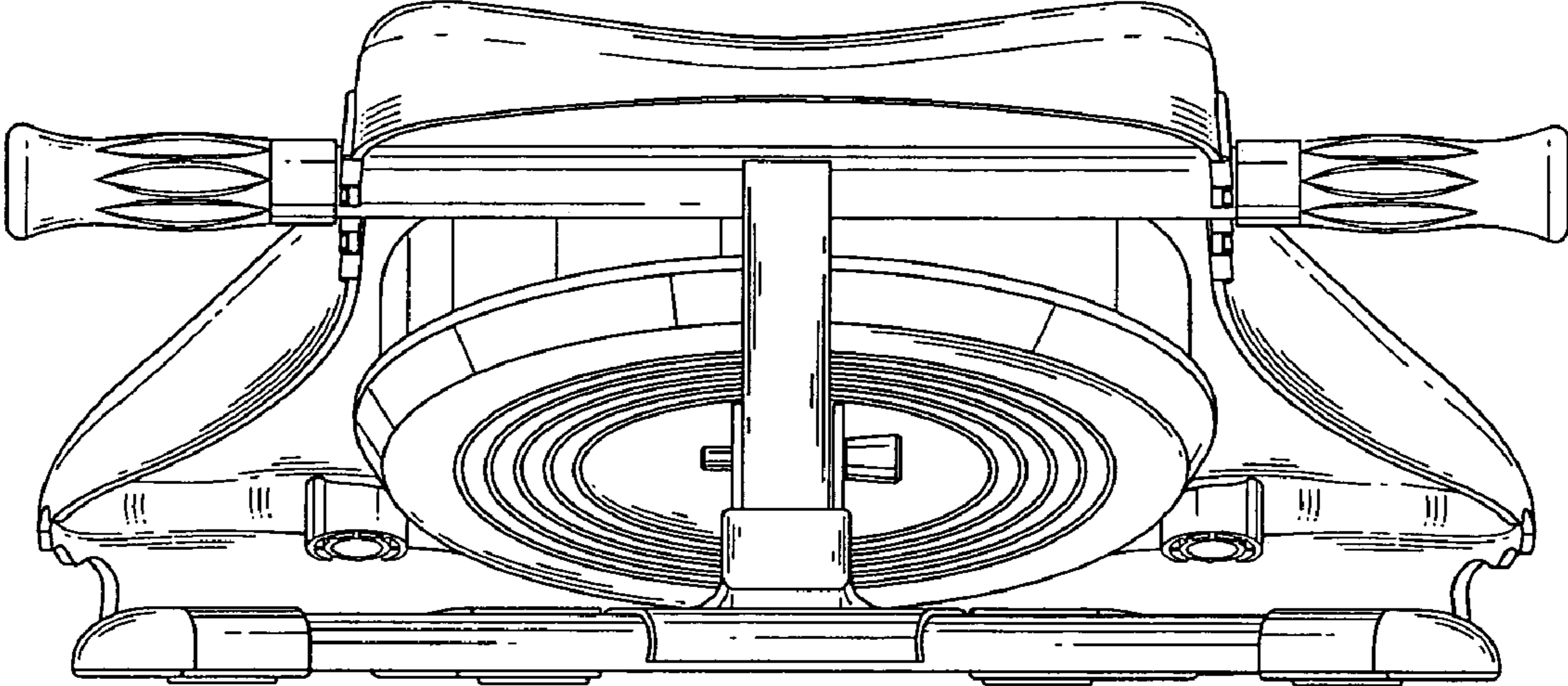


Fig. 2

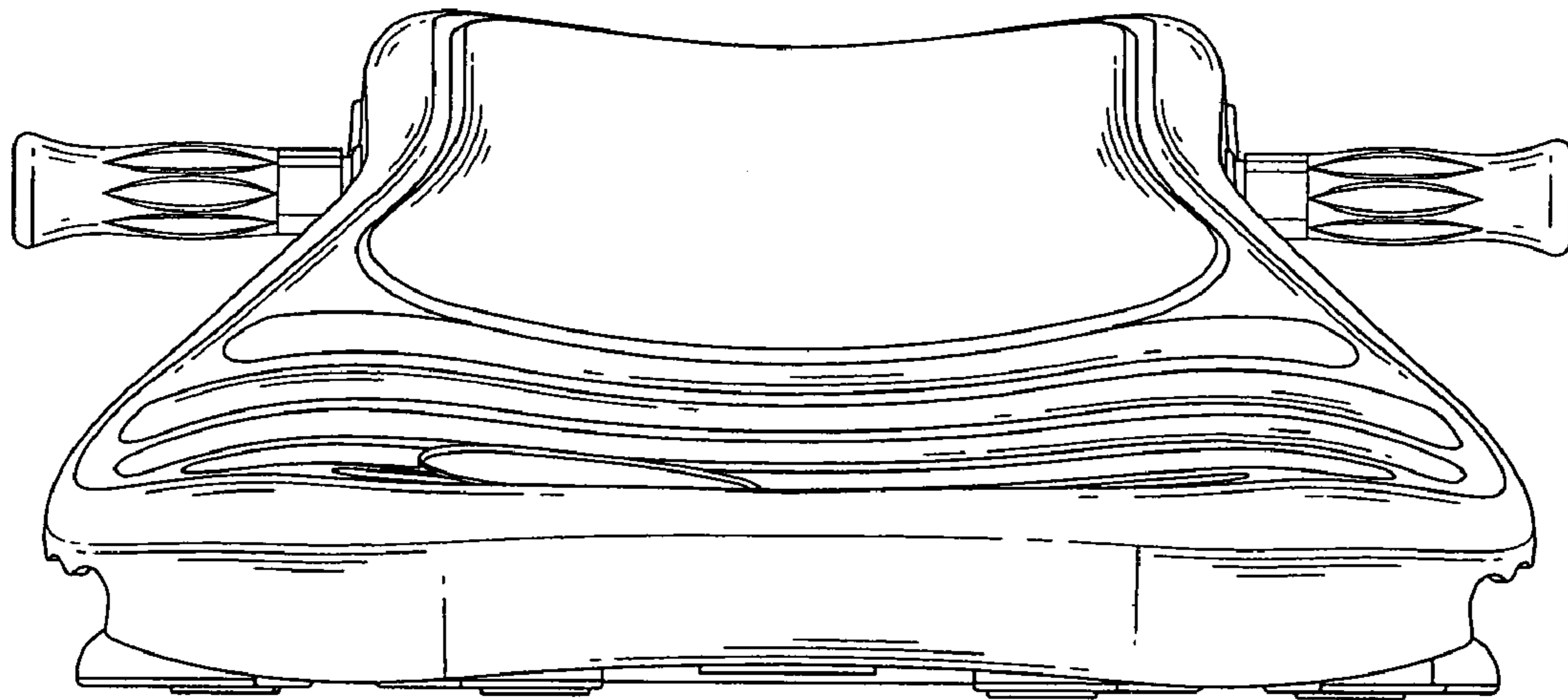


Fig. 3

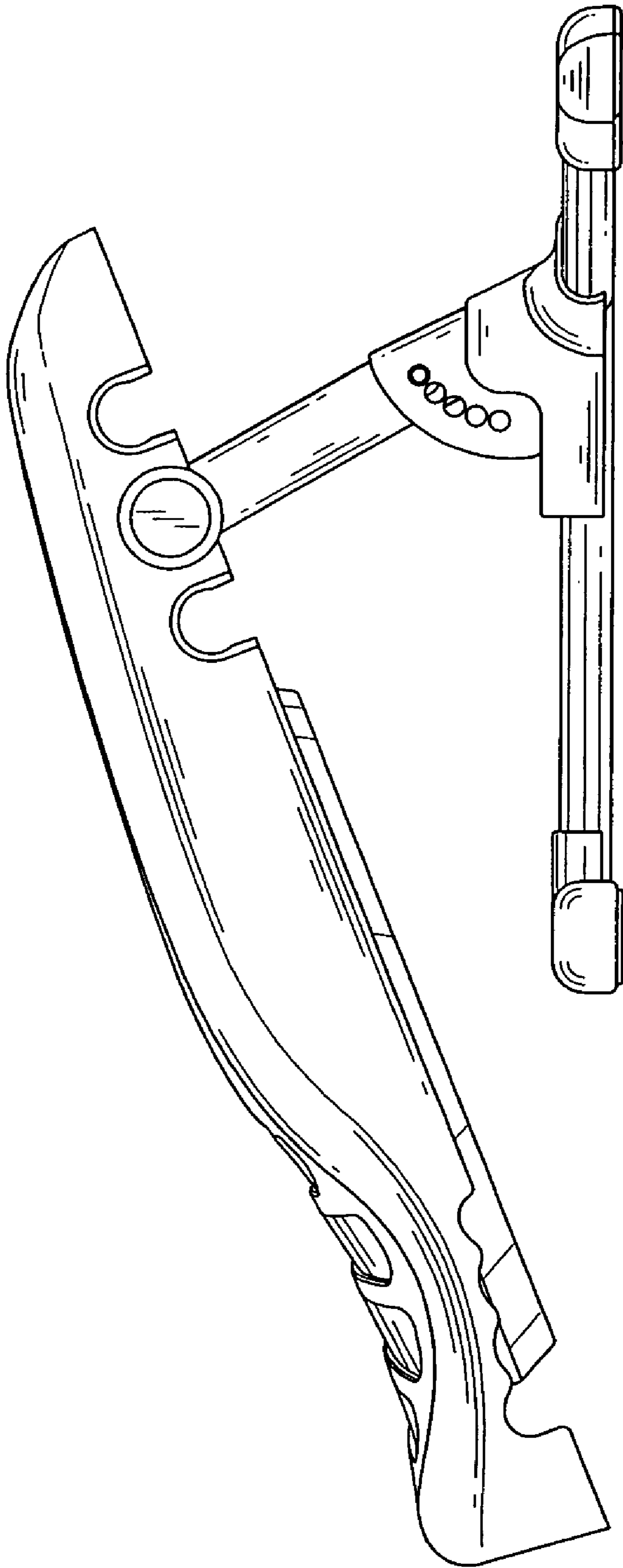


Fig. 4

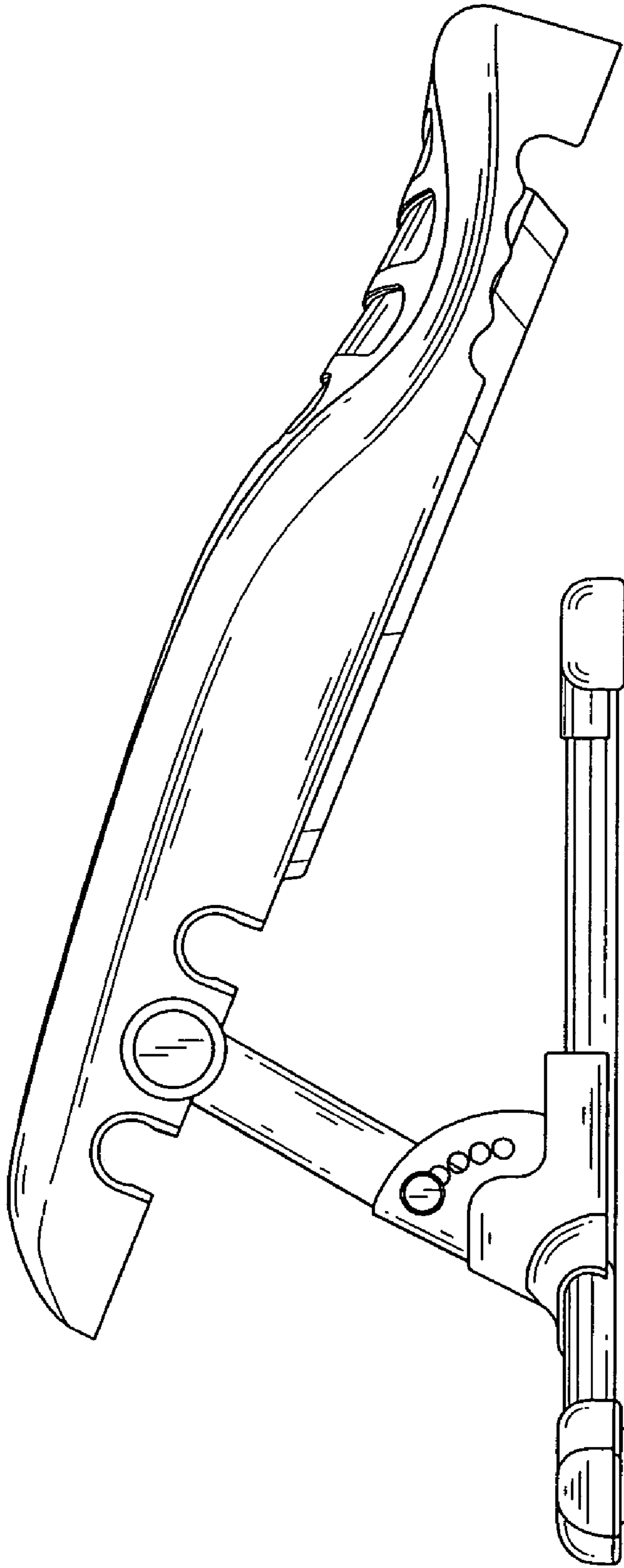


Fig. 5

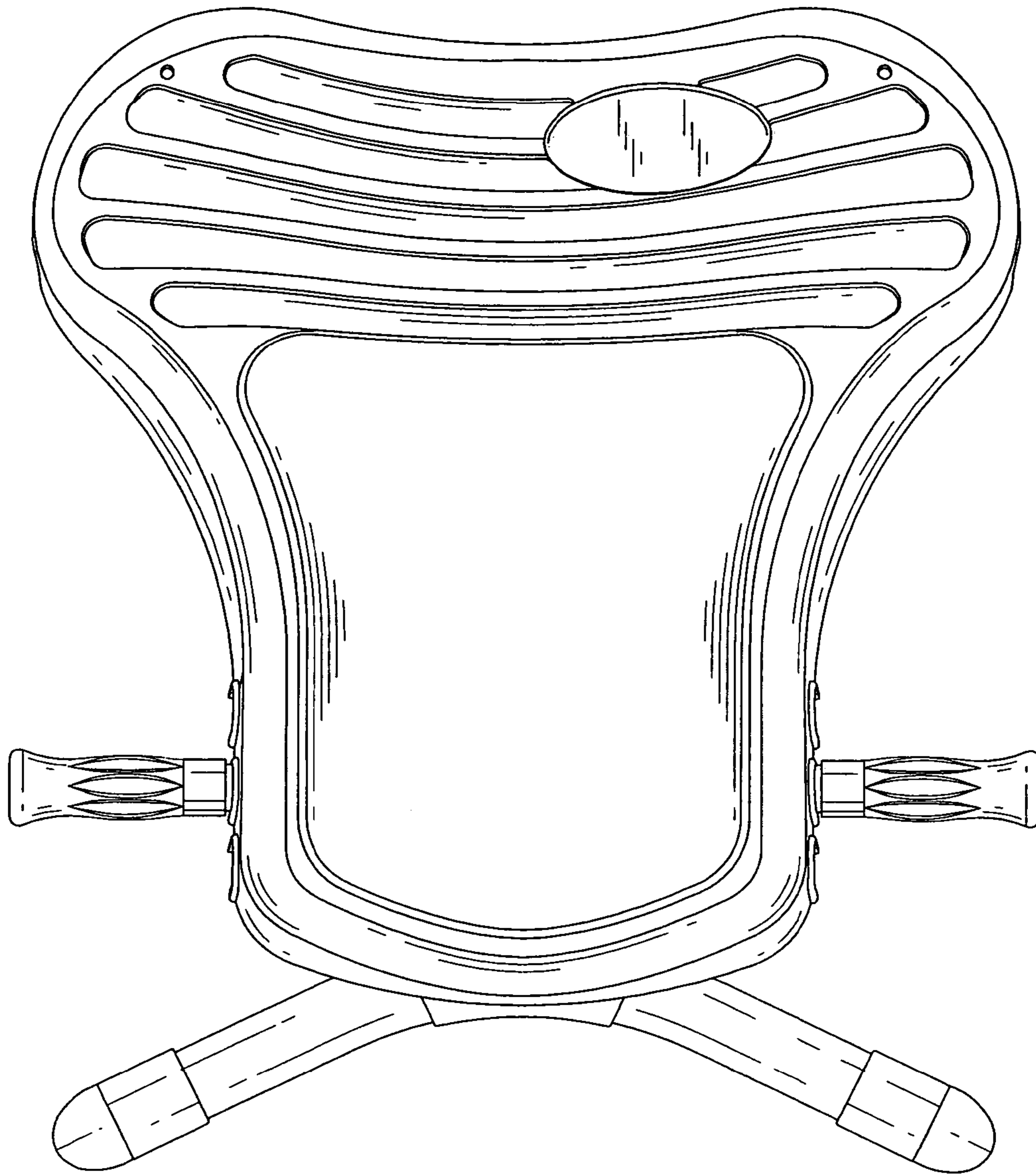


Fig. 6

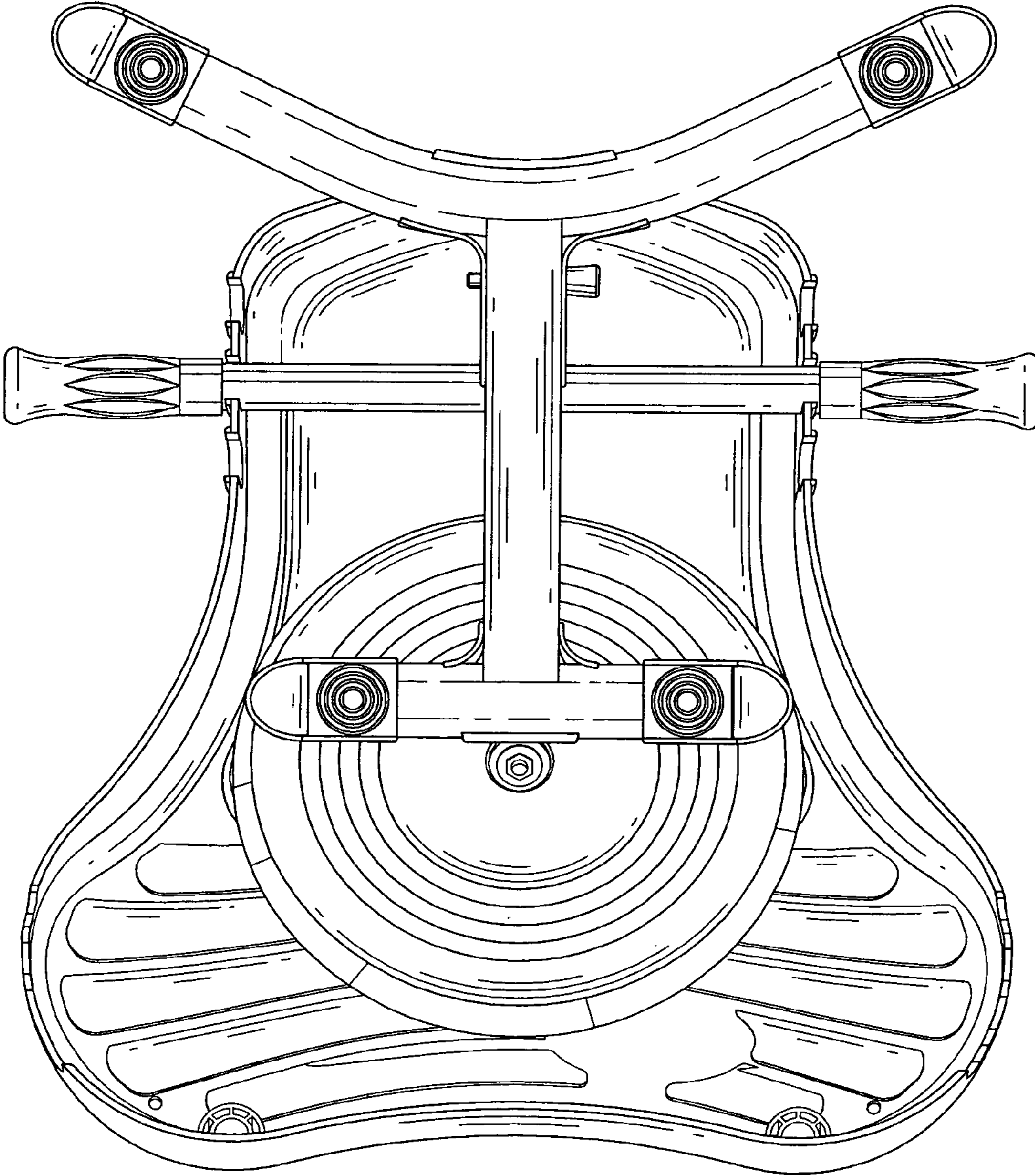


Fig. 7