



US00D545927S

(12) **United States Design Patent**
Lien

(10) **Patent No.:** **US D545,927 S**

(45) **Date of Patent:** **** Jul. 3, 2007**

(54) **DUMBBELL**

7,048,678 B2 * 5/2006 Harms et al. 482/107

(75) Inventor: **Louis Lien**, Houston, TX (US)

(73) Assignee: **USA Sports, Inc.**, Houston, TX (US)

(**) Term: **14 Years**

(21) Appl. No.: **29/244,978**

(22) Filed: **Dec. 15, 2005**

(51) **LOC (8) Cl.** **21-02**

(52) **U.S. Cl.** **D21/681**

(58) **Field of Classification Search** D21/680,
D21/681, 682, 683, 684; 482/105, 106, 107,
482/108

See application file for complete search history.

(56) **References Cited**

U.S. PATENT DOCUMENTS

D409,266	S	*	5/1999	Rojas et al.	D21/681
6,099,443	A	*	8/2000	Landfair	482/108
6,120,420	A	*	9/2000	Pearson et al.	482/108
D444,516	S	*	7/2001	Pearson et al.	D21/681
D496,414	S	*	9/2004	Harms et al.	D21/681
D504,923	S	*	5/2005	Harms et al.	D21/681

OTHER PUBLICATIONS

Dumbbell Buddy websight. Troy Commercial Grade 12 sided dumbbells. Present date, earlier dates cannot be found.*

* cited by examiner

Primary Examiner—Philip S. Hyder

(74) *Attorney, Agent, or Firm*—Nick A. Nichols, Jr.

(57) **CLAIM**

The ornamental design for a dumbbell, as shown and described.

DESCRIPTION

FIG. 1 is a perspective view of a dumbbell showing my new design;

FIG. 2 is a top view thereof, the opposite side being a mirror image;

FIG. 3 is an end view thereof, the opposite side being a mirror image; and,

FIG. 4 is a side view thereof, the opposite side being a mirror image.

1 Claim, 2 Drawing Sheets

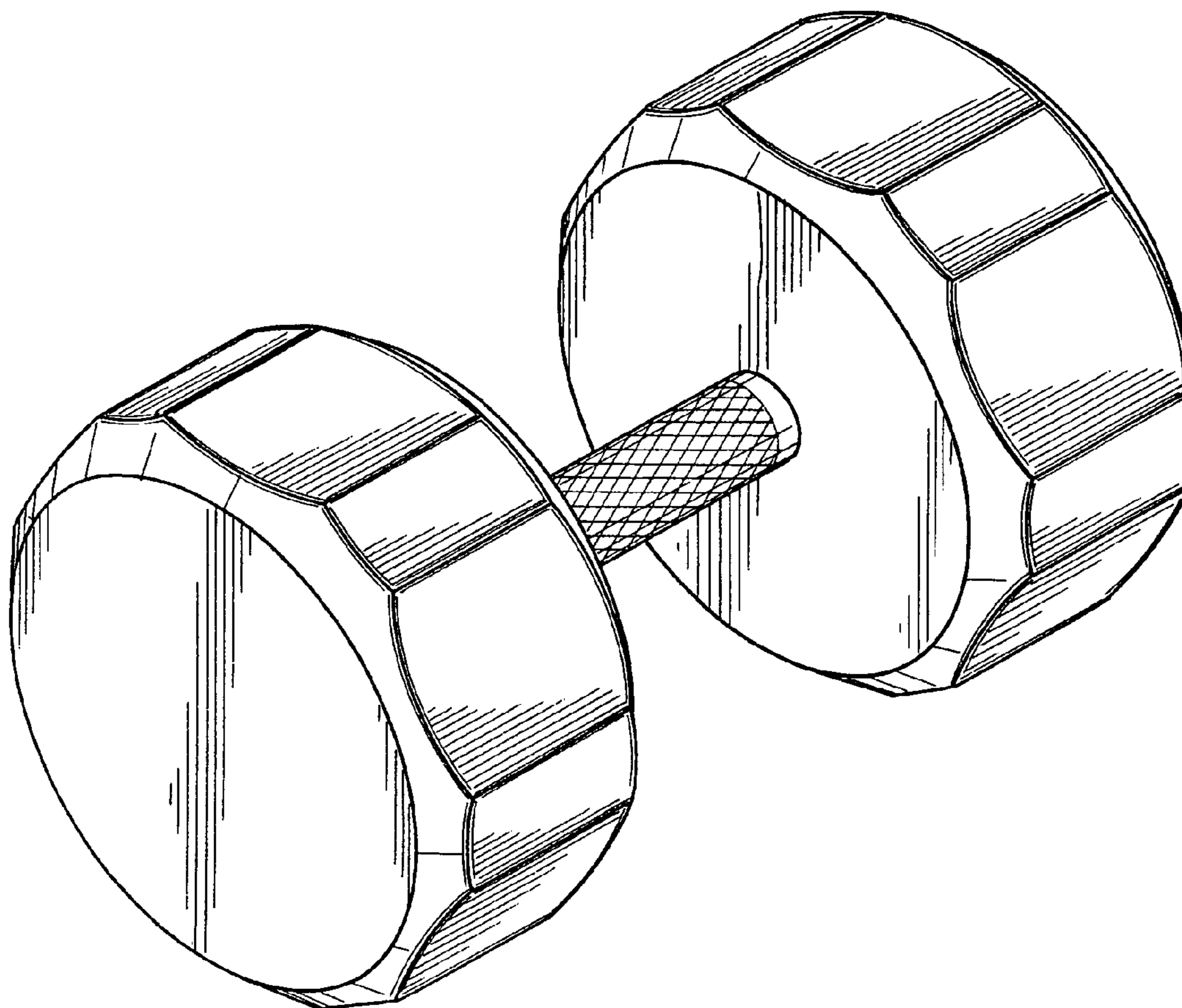


FIG. 1

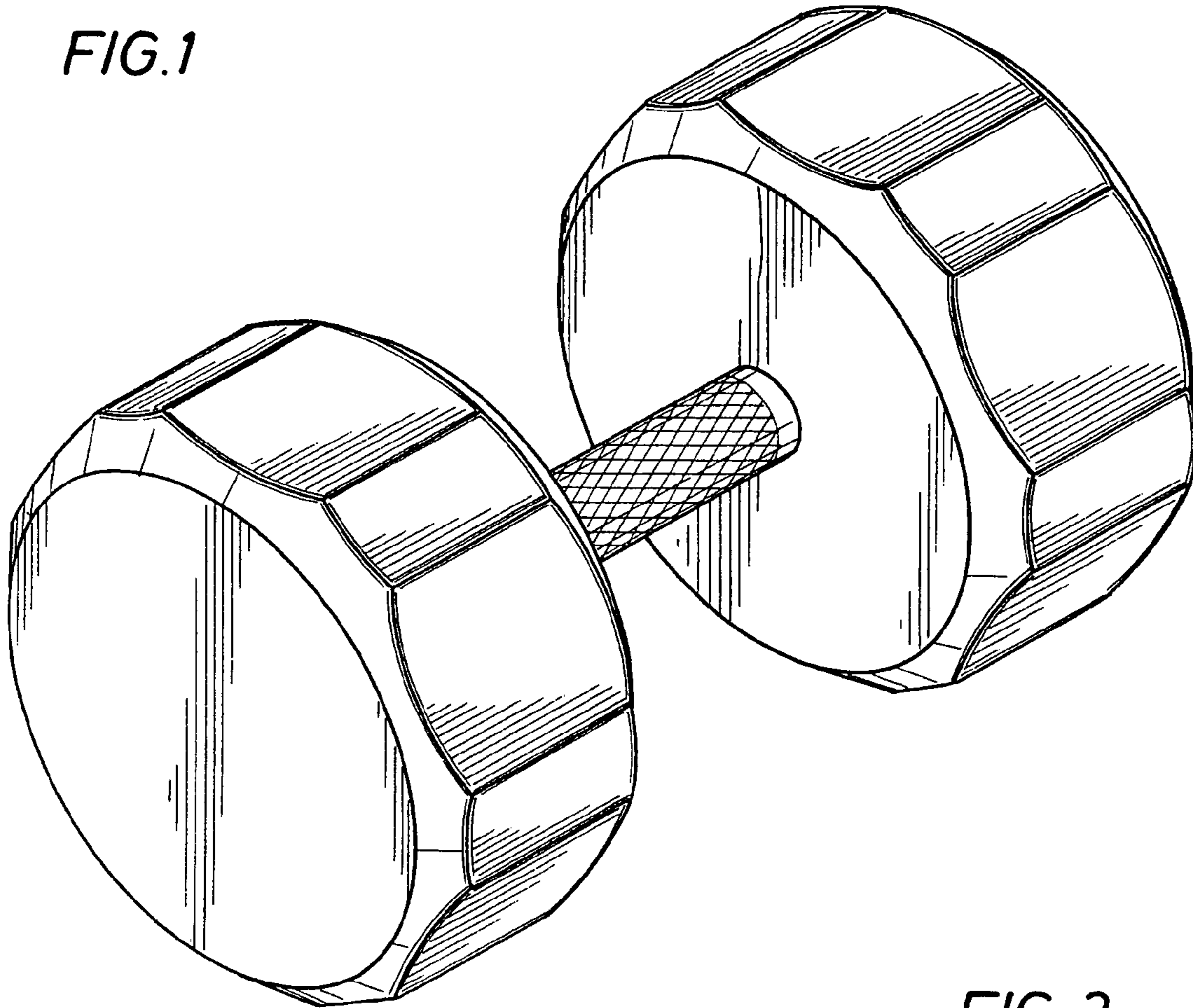


FIG. 2

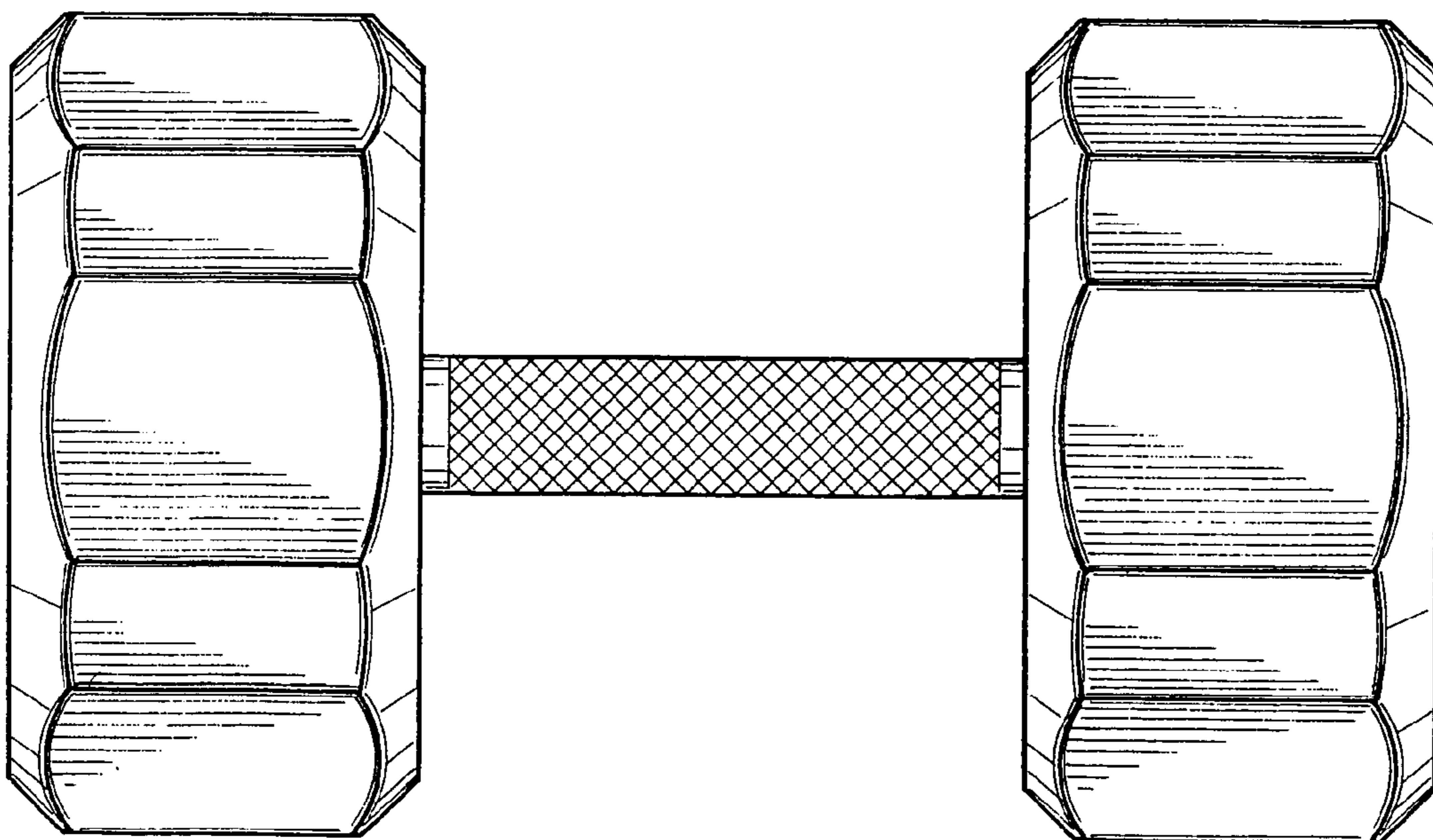


FIG. 3

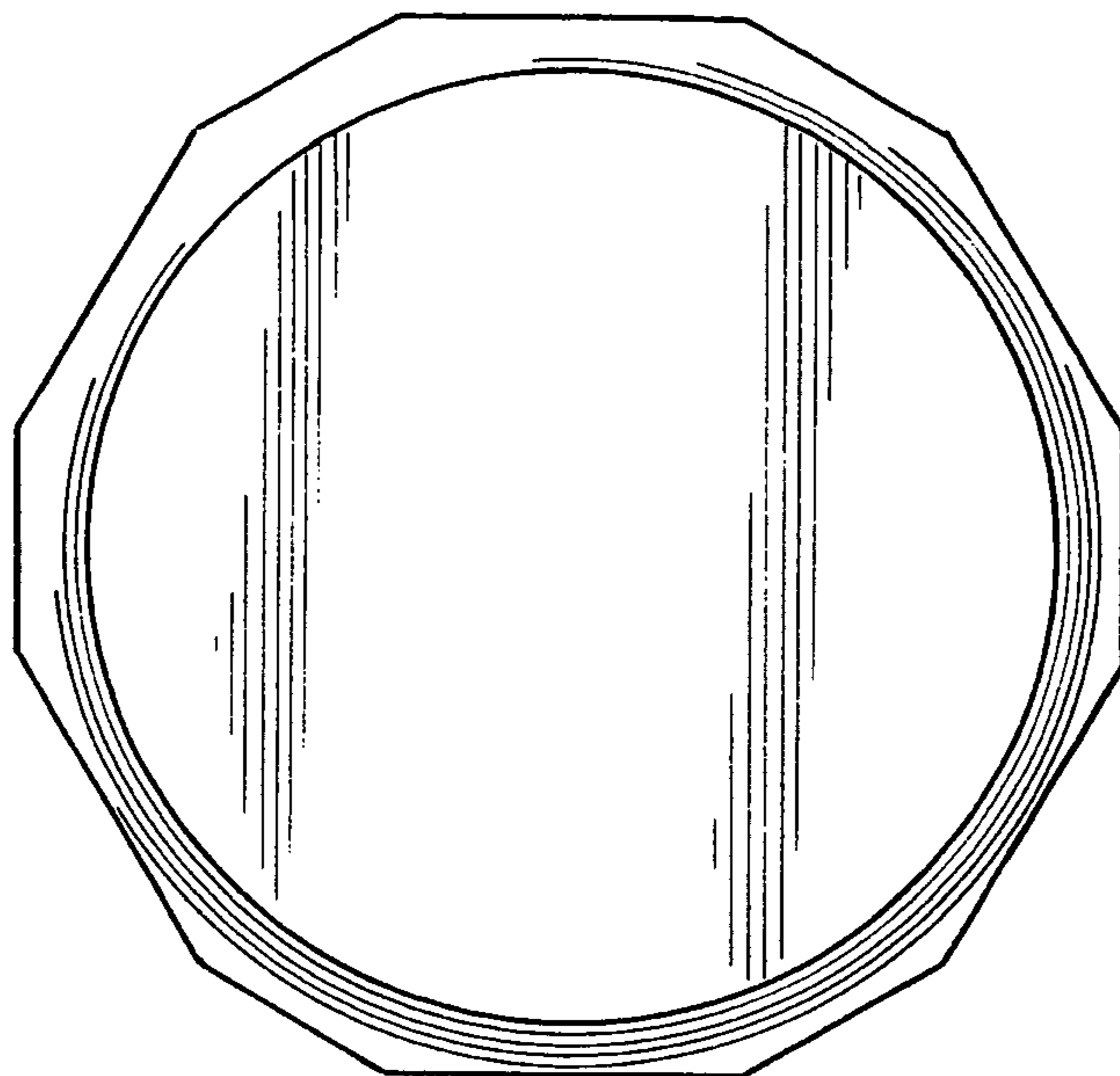


FIG. 4

