

US00D545926S

(12) **United States Design Patent**  
**Laurienzo et al.**

(10) **Patent No.:** **US D545,926 S**  
(45) **Date of Patent:** **\*\* Jul. 3, 2007**

(54) **TWO SIDED RAMP**  
(75) Inventors: **Dominic Laurienzo**, Malibu, CA (US);  
**Brendon Vetuskey**, Malibu, CA (US)  
(73) Assignee: **Jakks Pacific, Inc.**, Malibu, CA (US)  
(\*\*) Term: **14 Years**

D390,621 S \* 2/1998 Cosentino ..... D21/817  
6,623,367 B1 9/2003 Labelson et al.  
RE38,326 E \* 11/2003 Mapp ..... 14/69.5  
D483,428 S \* 12/2003 Frey et al. .... D21/817  
6,654,977 B1 \* 12/2003 Chin ..... 14/69.5  
6,672,968 B2 \* 1/2004 Montolio ..... 472/89  
D491,995 S \* 6/2004 Frey et al. .... D21/817  
D493,849 S 8/2004 Elia ..... D21/565  
6,776,685 B2 8/2004 Reisher et al. .... 446/444

(21) Appl. No.: **29/234,039**  
(22) Filed: **Jul. 12, 2005**

\* cited by examiner

(51) **LOC (8) Cl.** ..... **21-01**  
(52) **U.S. Cl.** ..... **D21/565; D21/817**  
(58) **Field of Classification Search** ..... D21/318,  
D21/322, 385, 505, 564, 565, 811, 814, 819;  
446/444-447; 482/35, 36; 472/91; D34/32  
See application file for complete search history.

*Primary Examiner*—Holly H. Baynham  
*Assistant Examiner*—Cynthia M. Chin  
(74) *Attorney, Agent, or Firm*—Richard B. Klar; Law Office  
of Richard B. Klar

(56) **References Cited**

**U.S. PATENT DOCUMENTS**

4,251,949 A 2/1981 Buck et al.  
4,285,514 A 8/1981 Romero  
4,541,813 A 9/1985 Ikeda  
4,732,569 A 3/1988 Hippely et al.  
4,767,053 A 8/1988 Cook et al.  
D305,676 S 1/1990 Ngai ..... D21/143  
5,165,690 A 11/1992 Kelley, Jr.

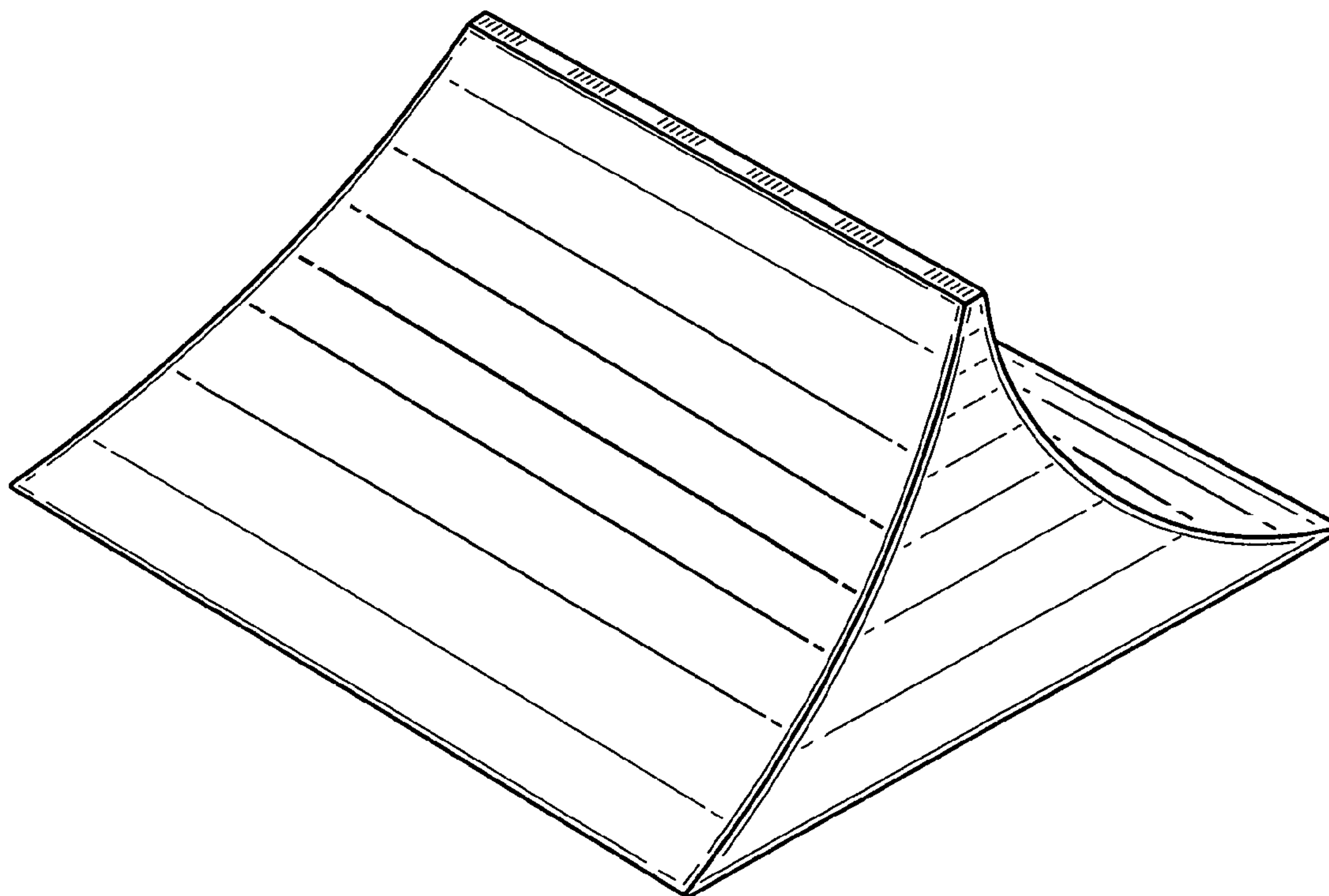
(57) **CLAIM**

The ornamental design for a two sided ramp, as shown.

**DESCRIPTION**

FIG. 1 is a perspective view of the present invention;  
FIG. 2 is a front view thereof;  
FIG. 3 is a rear view thereof;  
FIG. 4 is a side view from the right thereof; and,  
FIG. 5 is a top view thereof.

**1 Claim, 3 Drawing Sheets**



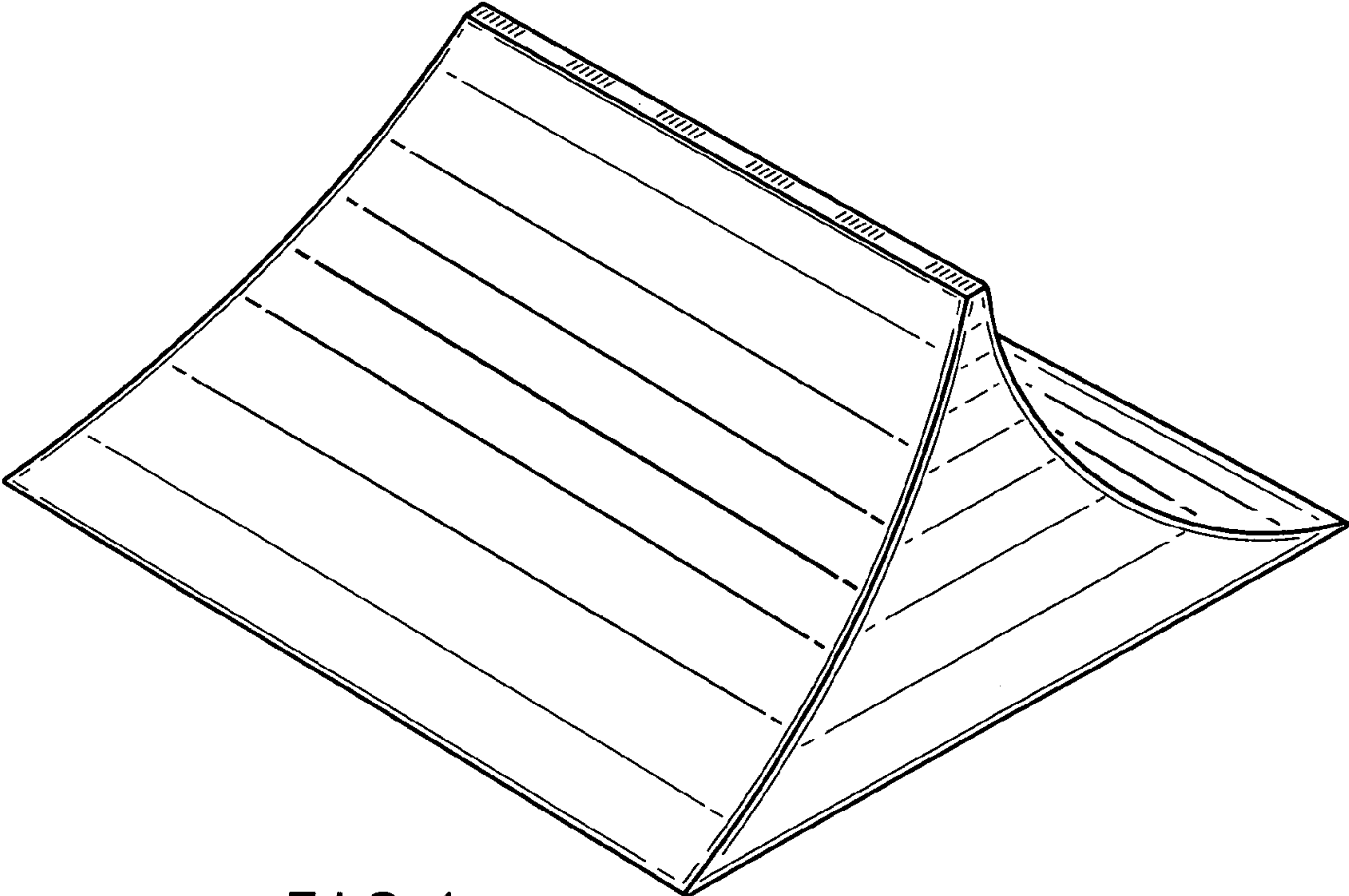


FIG. 1

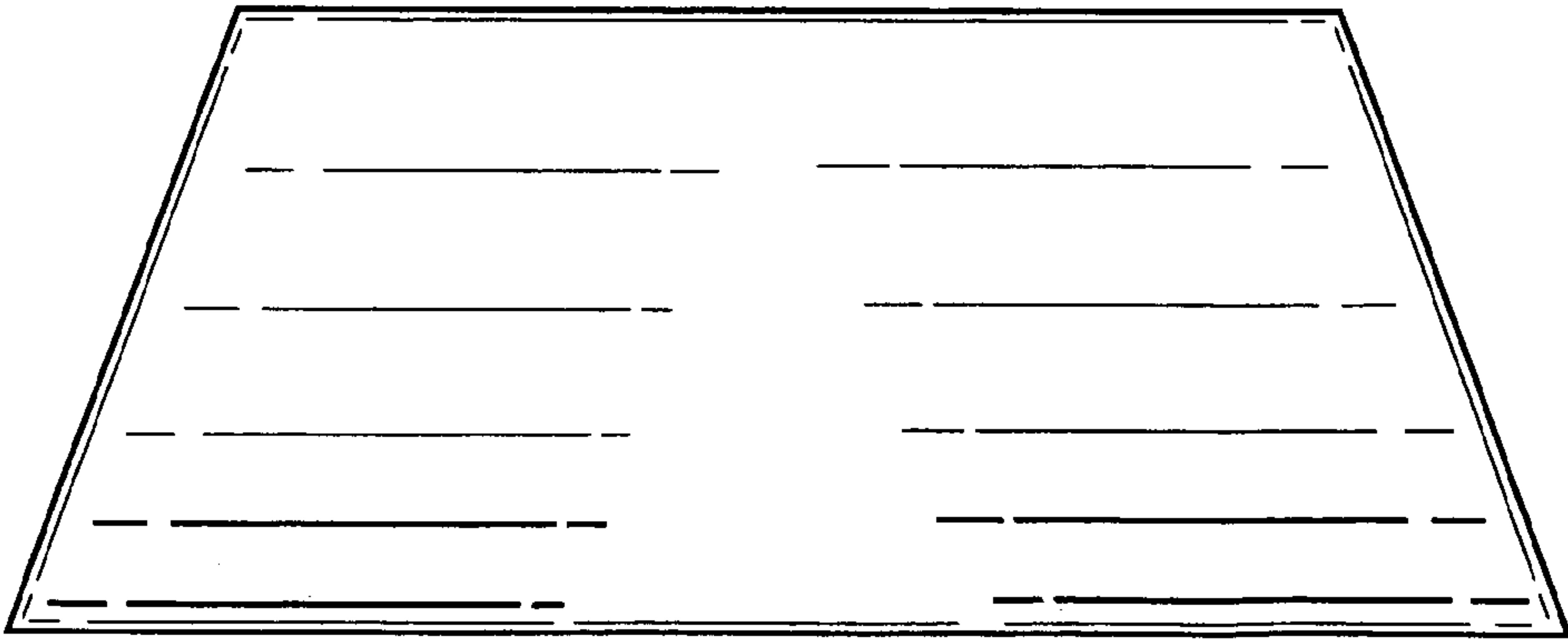


FIG. 2

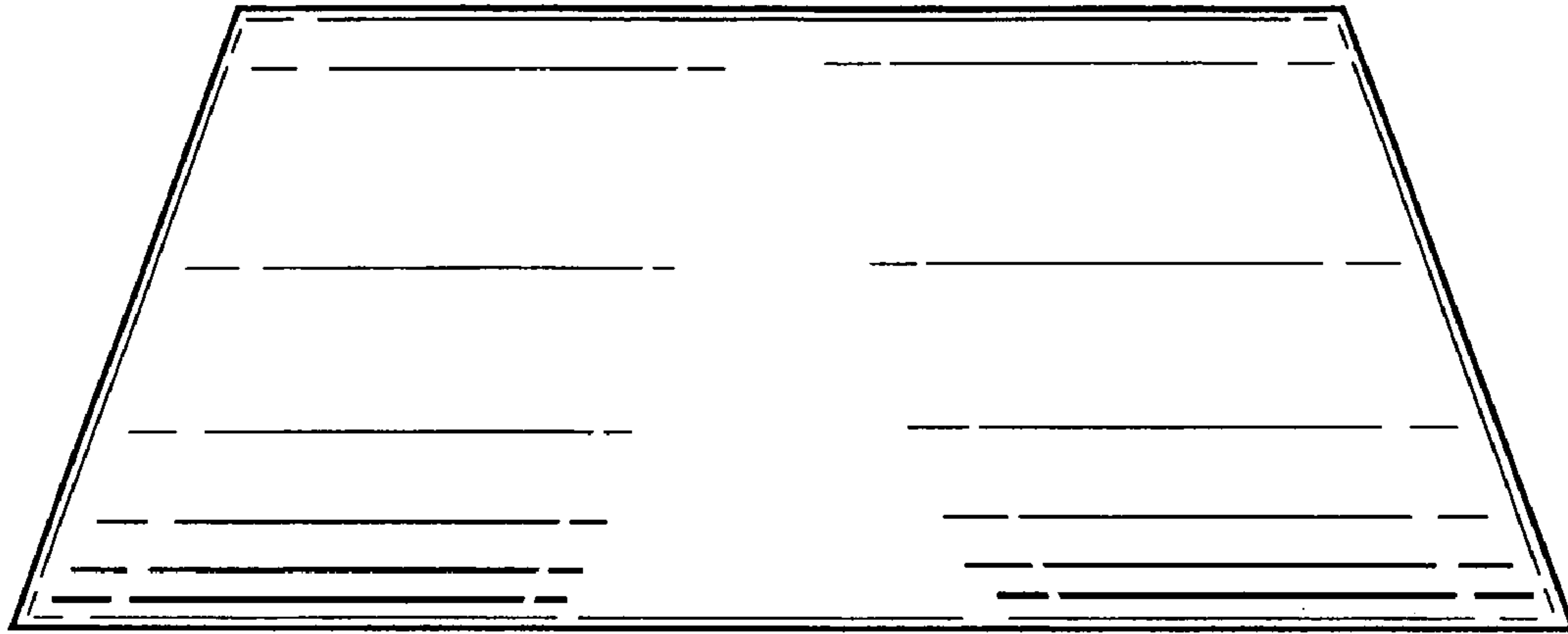


FIG. 3

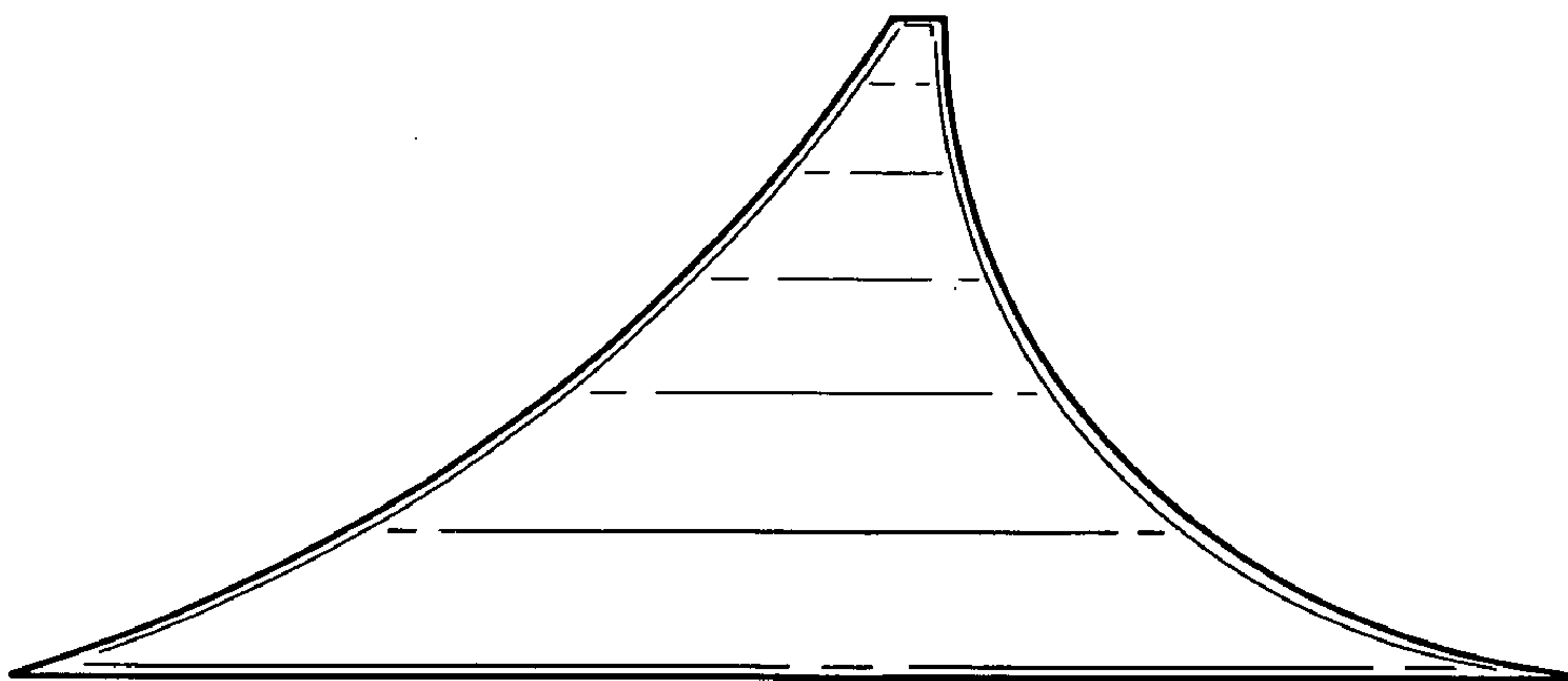


FIG. 4

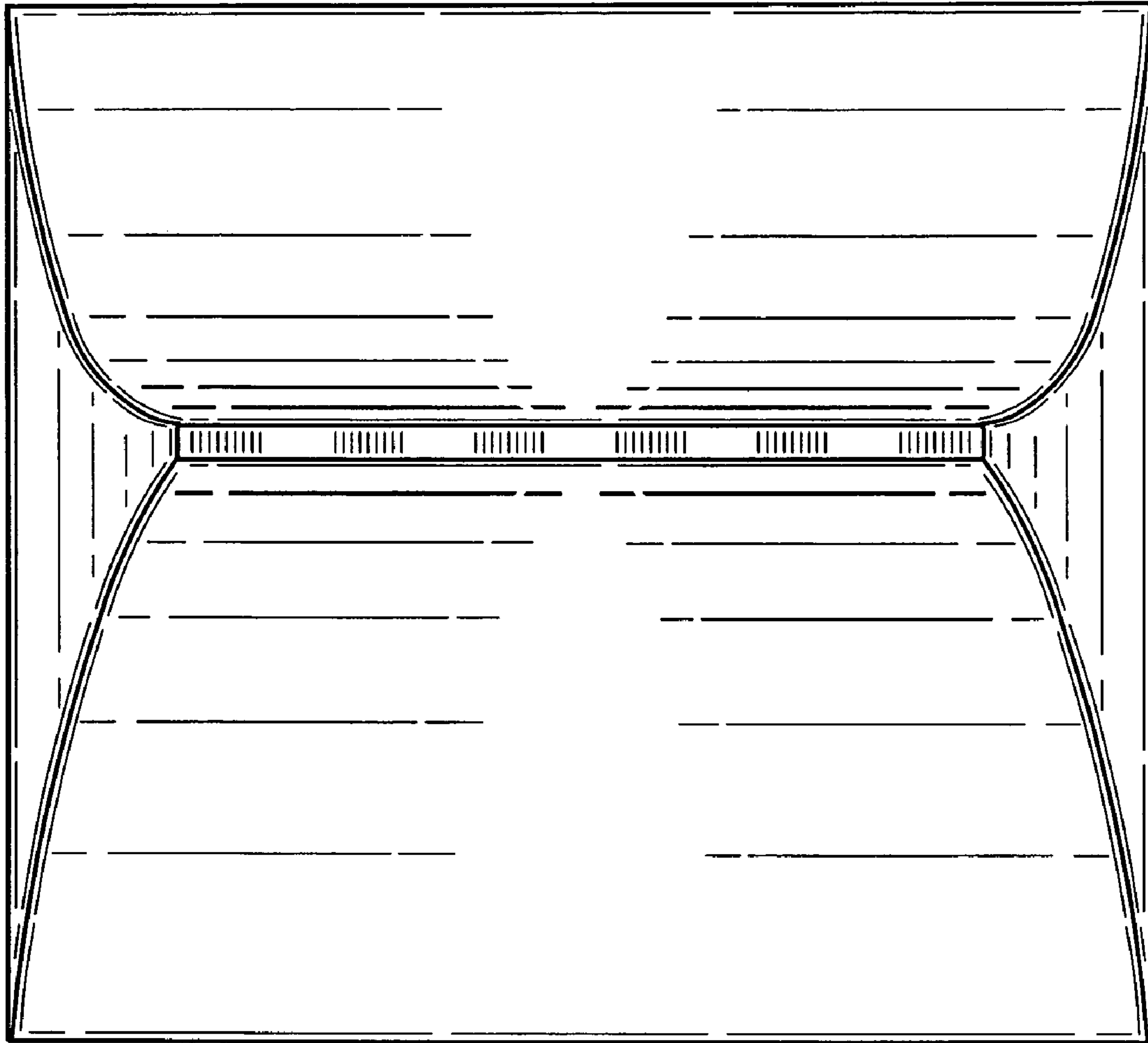


FIG. 5