



US00D545922S

(12) **United States Design Patent**
Glickman et al.

(10) **Patent No.:** **US D545,922 S**

(45) **Date of Patent:** **** Jul. 3, 2007**

(54) **CONSTRUCTION TOY PIECE**

(75) Inventors: **Joel Glickman**, Jupiter, FL (US);
Joseph Smith, Elkins Park, PA (US)

(73) Assignee: **Connector Set Limited Partnership**,
Hatfield, PA (US)

(**) Term: **14 Years**

(21) Appl. No.: **29/262,651**

(22) Filed: **Jul. 7, 2006**

(51) **LOC (8) Cl.** **21-01**

(52) **U.S. Cl.** **D21/484**

(58) **Field of Classification Search** D21/483,
D21/484-486, 489-494, 499-506; D25/113-118;
446/69, 85, 101-128; 434/403; D14/400,
D14/401

See application file for complete search history.

(56) **References Cited**

U.S. PATENT DOCUMENTS

- 2,099,149 A * 11/1937 Turnquist 52/590.1
- D229,769 S * 1/1974 Daenen D21/499
- 3,867,784 A 2/1975 Lange
- D297,303 S * 8/1988 Finklestein D8/382
- 4,823,532 A 4/1989 Westerborgen
- 4,968,040 A 11/1990 McElhaney
- D314,829 S * 2/1991 Brock D25/113
- 4,990,116 A 2/1991 Chen
- D319,477 S * 8/1991 McElhaney D21/391
- D330,056 S * 10/1992 Pagel D21/505
- D343,429 S * 1/1994 Sorensen et al. D21/502
- D344,769 S * 3/1994 Poulsen D21/502
- D352,743 S * 11/1994 Kushner et al. D21/500

- D352,745 S * 11/1994 Kushner et al. D21/500
- D357,510 S 4/1995 Kushner et al.
- D394,465 S * 5/1998 Schmidt D21/501
- 6,129,605 A 10/2000 Cyrus et al.
- 6,179,685 B1 1/2001 Toft
- D461,566 S * 8/2002 Ogawa et al. D25/113
- D461,913 S * 8/2002 Ogawa D25/113
- D469,825 S * 2/2003 Manville et al. D21/499

FOREIGN PATENT DOCUMENTS

GB 2 136 699 A 9/1984

* cited by examiner

Primary Examiner—Holly H. Baynham

Assistant Examiner—Cynthia M. Chin

(74) *Attorney, Agent, or Firm*—Schweitzer Cornman Gross
& Bondell LLP

(57) **CLAIM**

The ornamental design for a construction toy piece, as shown and described.

DESCRIPTION

FIG. 1 is a perspective view from the front;

FIG. 2 is a top plan view;

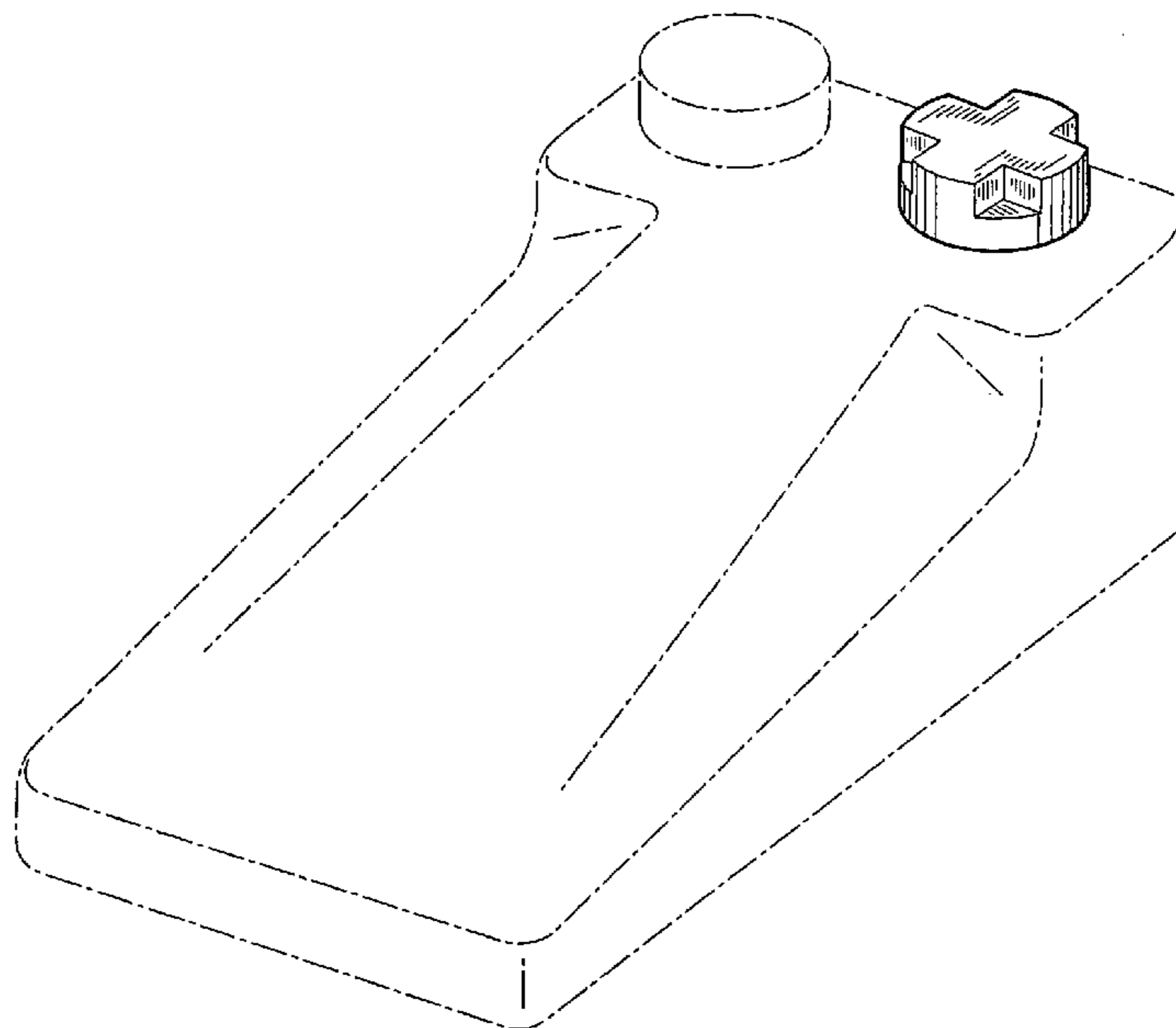
FIG. 3 is a front elevation view;

FIG. 4 is a first side elevation view, the second side being a mirror image; and,

FIG. 5 is a rear elevation view.

The bottom forms no part of the claimed design. The broken lines in the drawings are intended to show environmental structure and form no part of the claimed design.

1 Claim, 2 Drawing Sheets



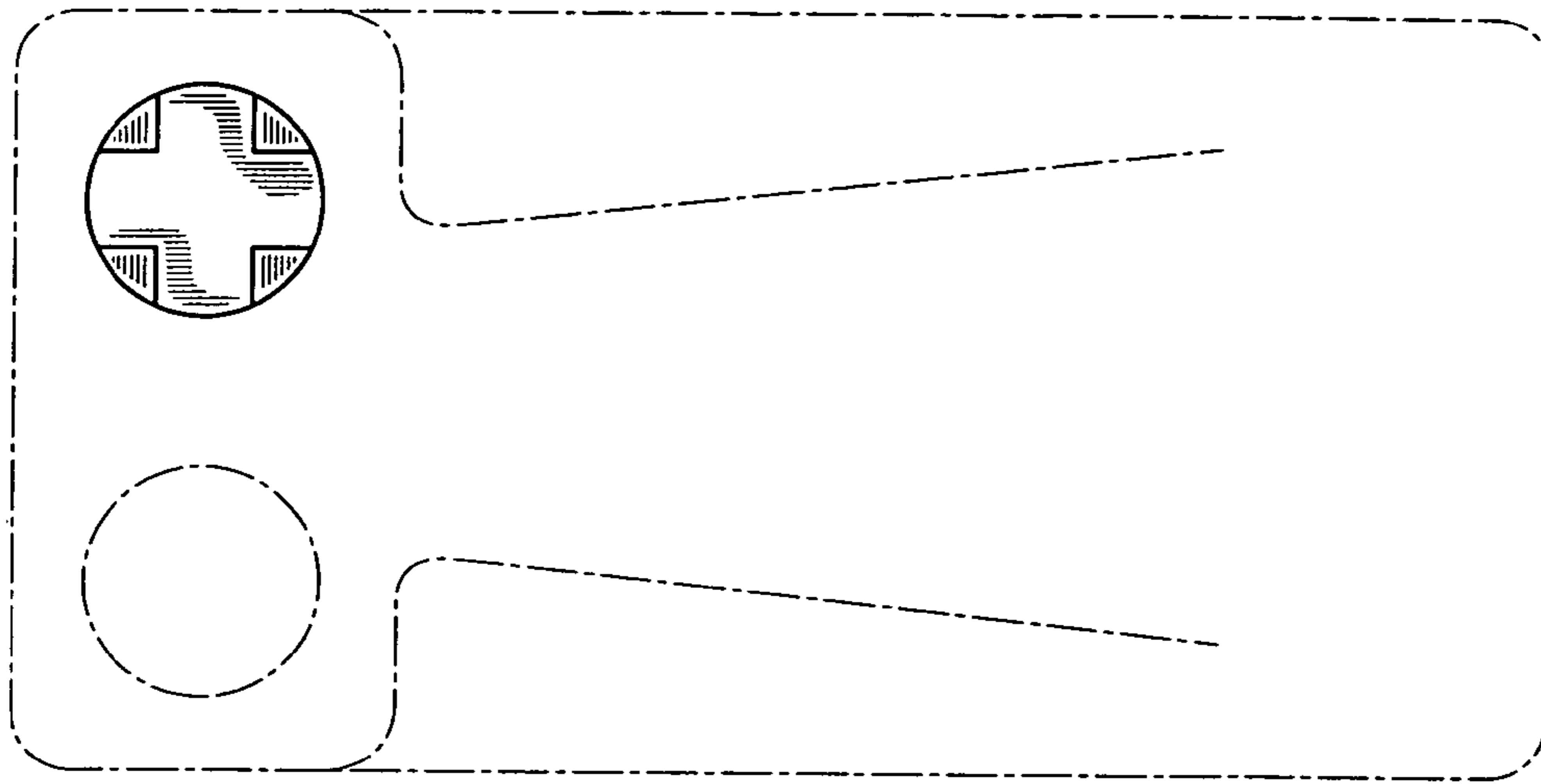


FIG. 2

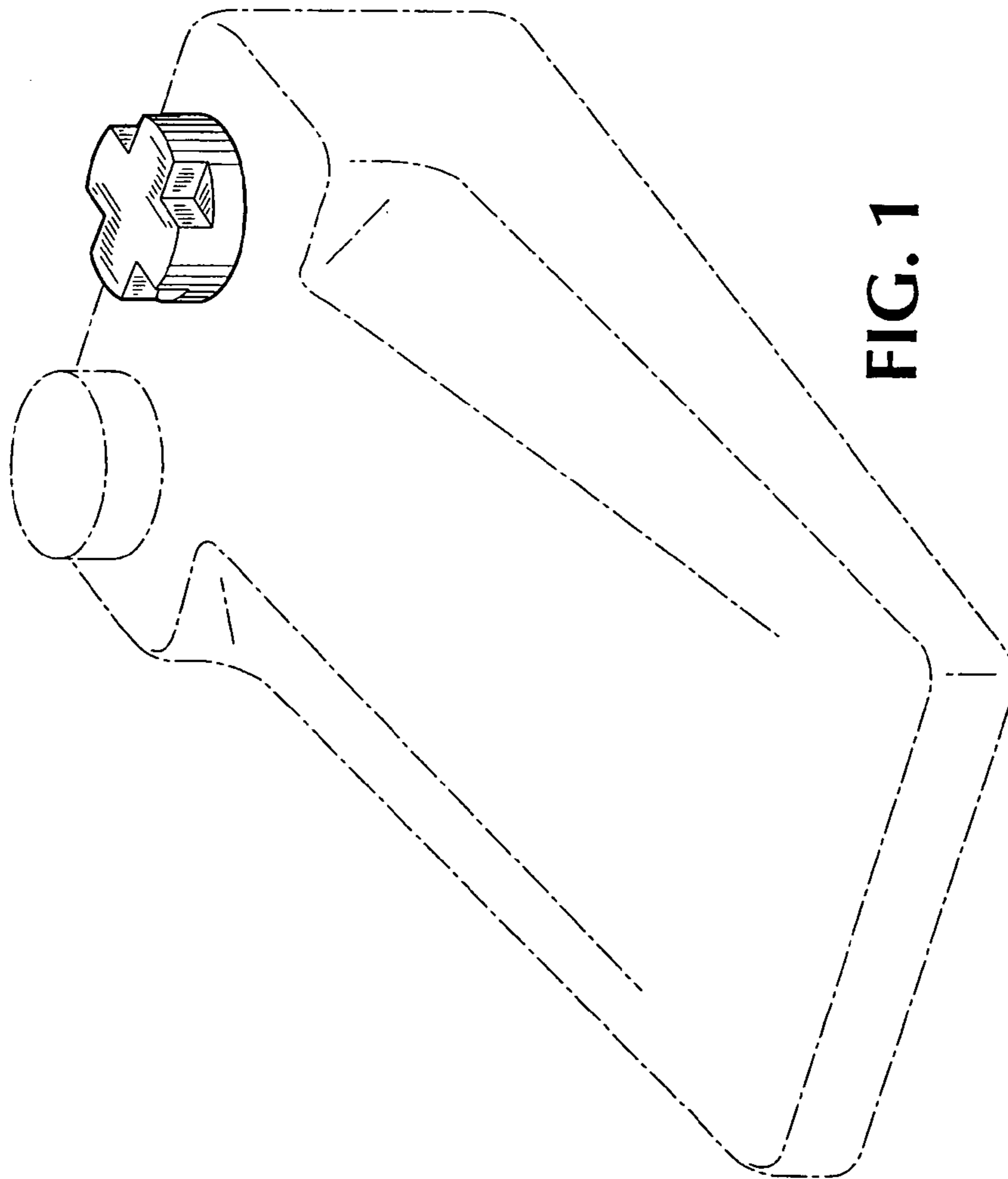


FIG. 1

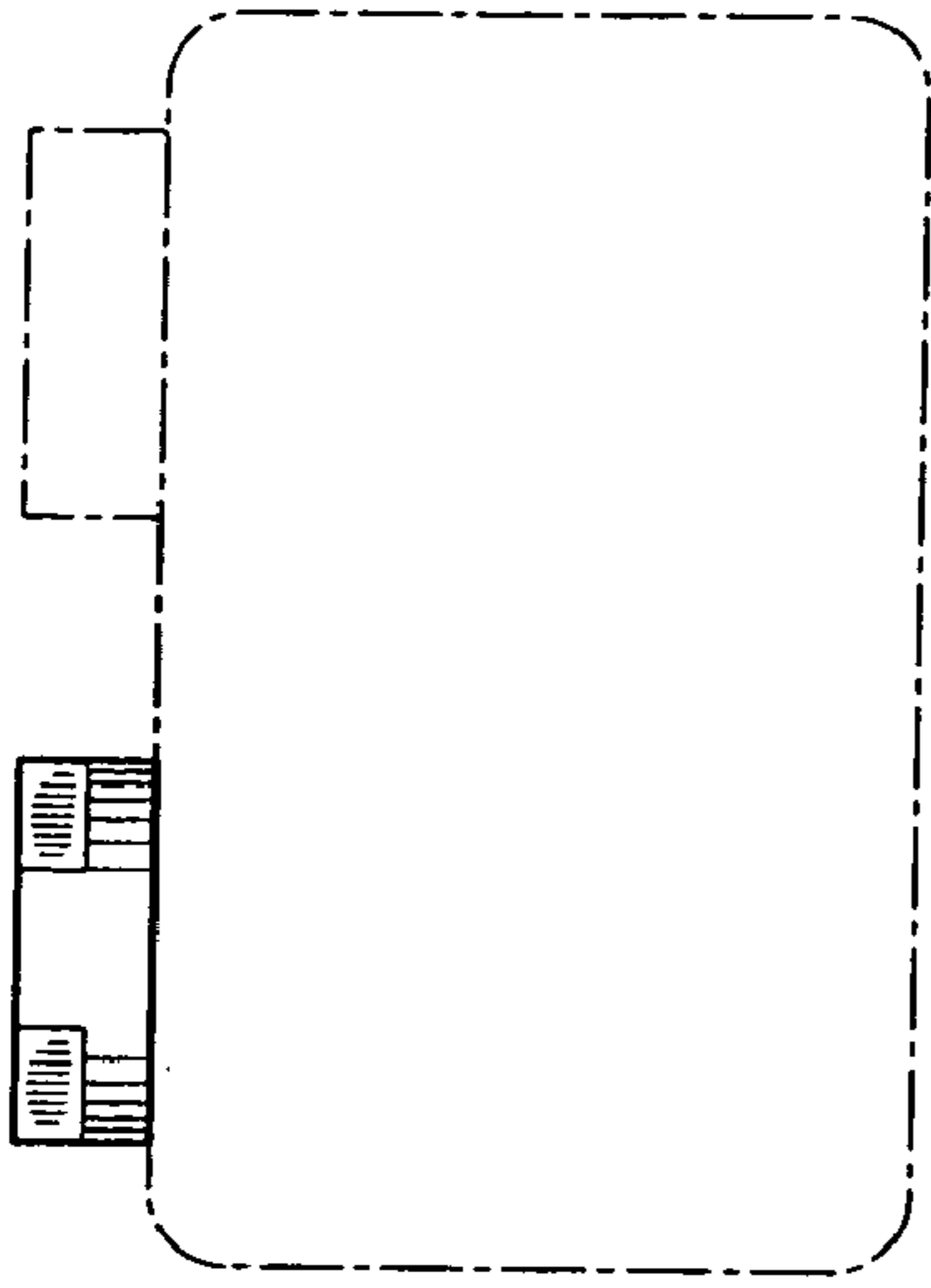


FIG. 5

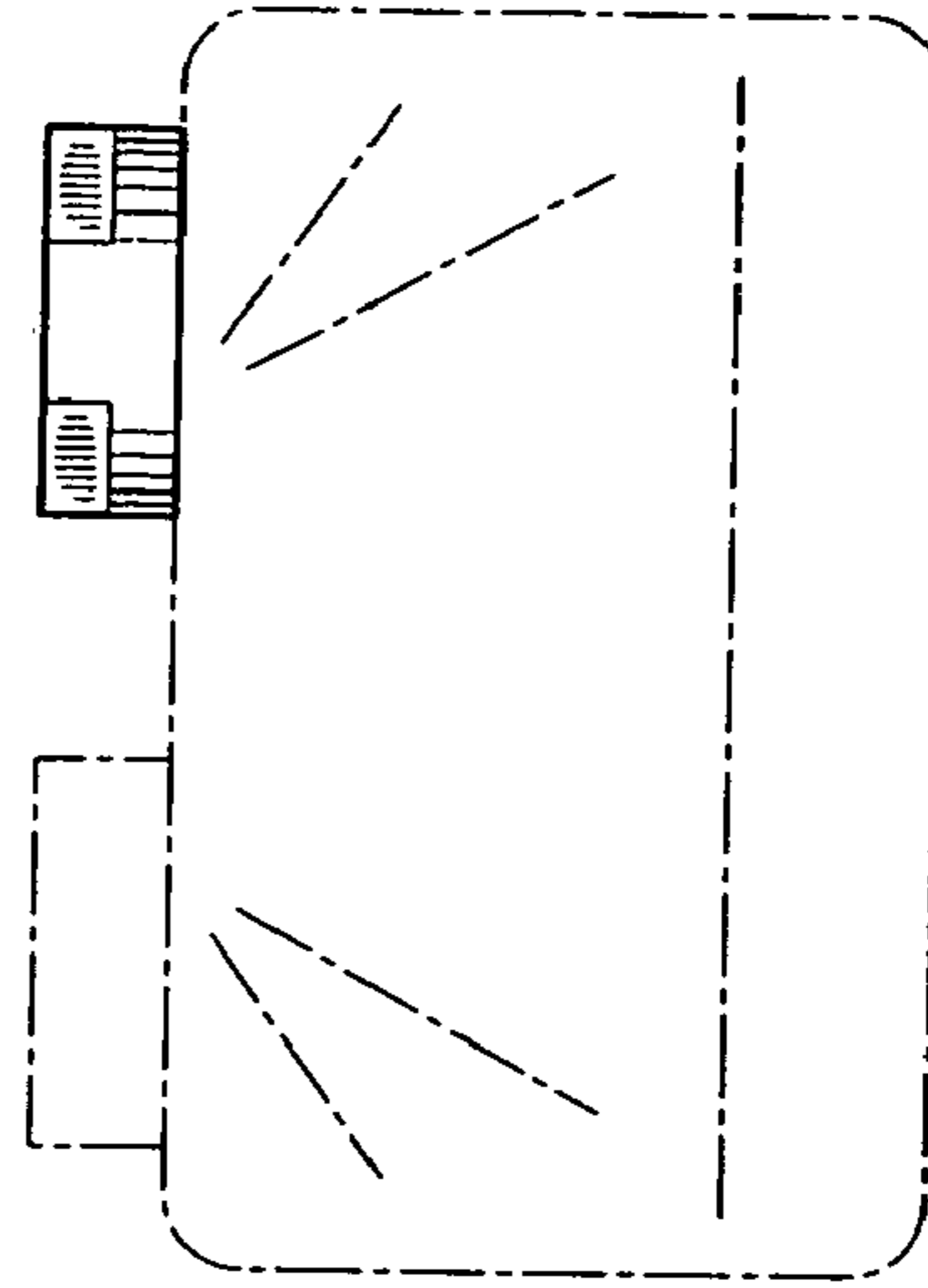


FIG. 3

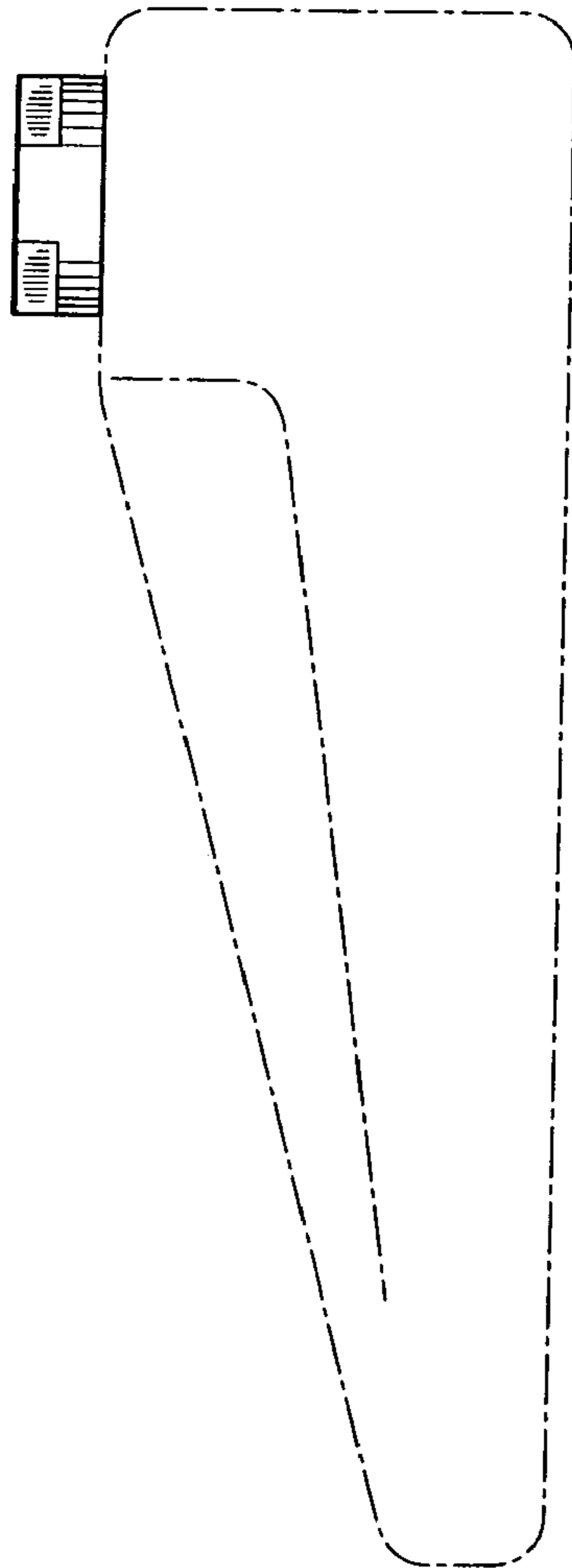


FIG. 4