

US00D545920S

(12) **United States Design Patent**
Sorensen

(10) **Patent No.:** **US D545,920 S**

(45) **Date of Patent:** **** Jul. 3, 2007**

(54) **TOY BUILDING ELEMENT**

(76) **Inventor:** **Soren Christian Sorensen**, PO Box
31096 SMB, Seven Mile Beach (KY)

(**) **Term:** **14 Years**

(21) **Appl. No.:** **29/234,393**

(22) **Filed:** **Jul. 18, 2005**

(51) **LOC (8) Cl.** **21-01**

(52) **U.S. Cl.** **D21/484**

(58) **Field of Classification Search** D21/483,
D21/484-486, 489-494, 499-506; D25/113-118;
446/69, 85, 101-128; 434/403

See application file for complete search history.

(56) **References Cited**

U.S. PATENT DOCUMENTS

D272,167 S *	1/1984	Chatani et al.	D21/499
D272,256 S *	1/1984	Chatani et al.	D21/499
D296,342 S *	6/1988	Knudsen	D21/499
D422,036 S *	3/2000	Laserna Fernandez	D21/499
D435,609 S *	12/2000	Sorensen	D21/499
D437,366 S *	2/2001	Stemmler	D21/499
D437,895 S *	2/2001	Sorensen	D21/504
D456,463 S *	4/2002	Sorensen	D21/500
D460,129 S *	7/2002	Barazani et al.	D21/499

6,447,360 B1	9/2002	Sorensen	
D465,246 S	11/2002	Sorensen	
D470,196 S *	2/2003	Sorensen D21/499
6,616,499 B1	9/2003	Sorensen	
6,648,715 B2	11/2003	Wiens et al.	
2003/0082986 A1 *	5/2003	Wiens et al. 446/120

* cited by examiner

Primary Examiner—Holly H. Baynham

Assistant Examiner—Cynthia M. Chin

(74) *Attorney, Agent, or Firm*—Edward W. Callan

(57) **CLAIM**

The ornamental design for a toy building element, as shown and described.

DESCRIPTION

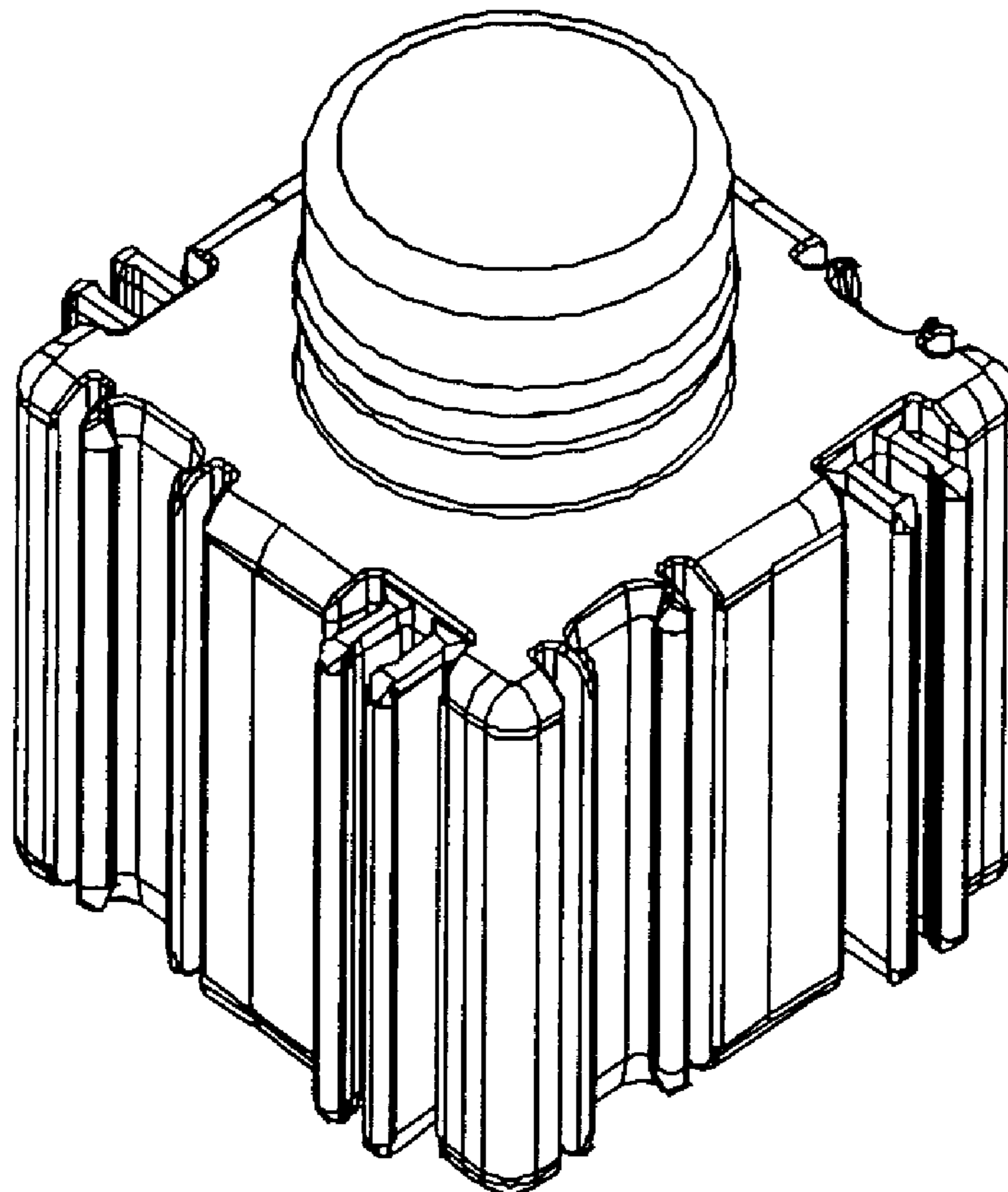
It is intended that the toy building element of the present invention be used in a set of toy building elements that are capable of being interconnected in a releasable engagement.

FIG. 1 is a top perspective view of the toy building element.

FIG. 2 is a side view of the toy building element shown in FIG. 1, all four sides being identical; and,

FIG. 3 is a top view of the toy building element shown in FIG. 1.

1 Claim, 1 Drawing Sheet



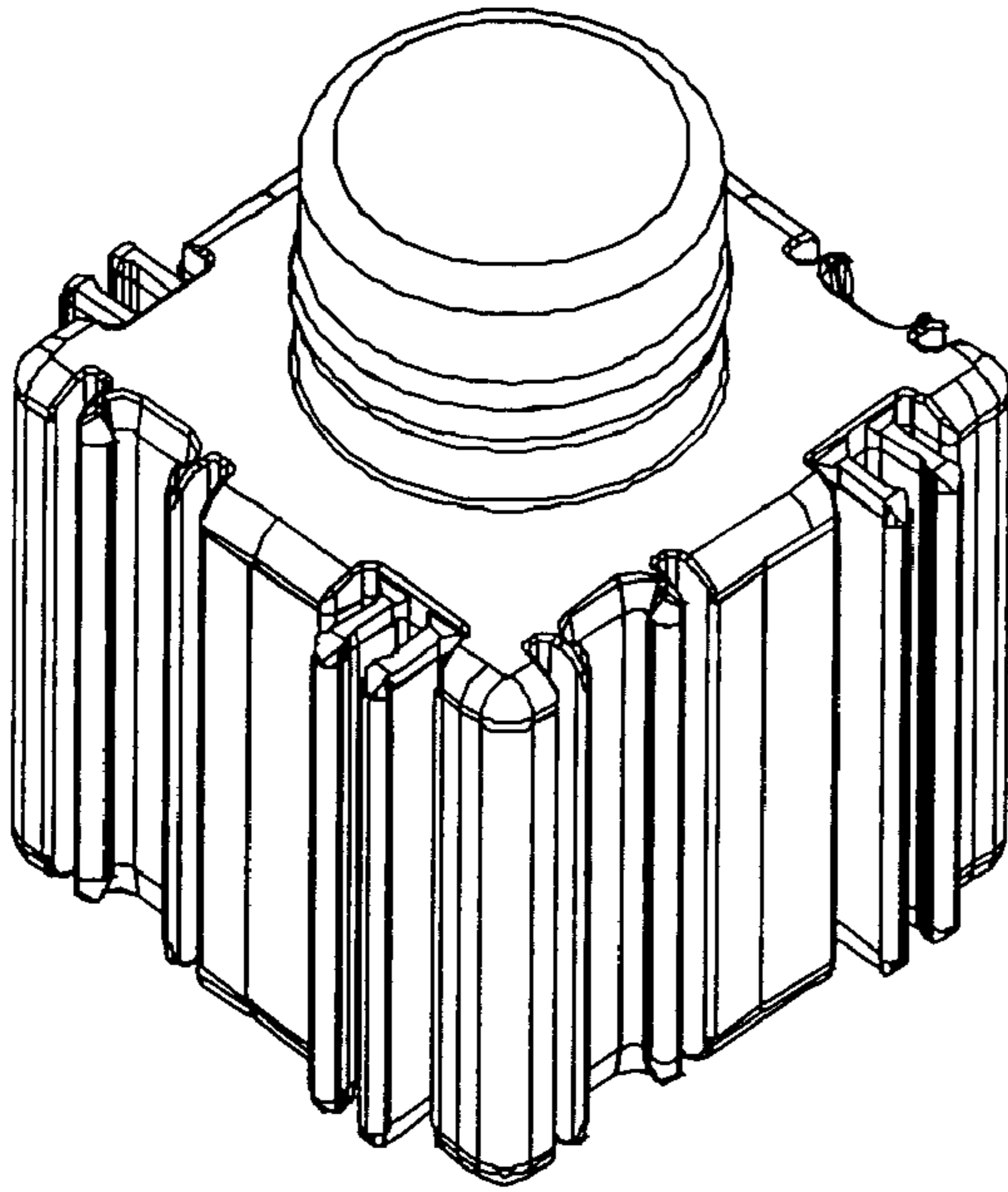


FIG. 1

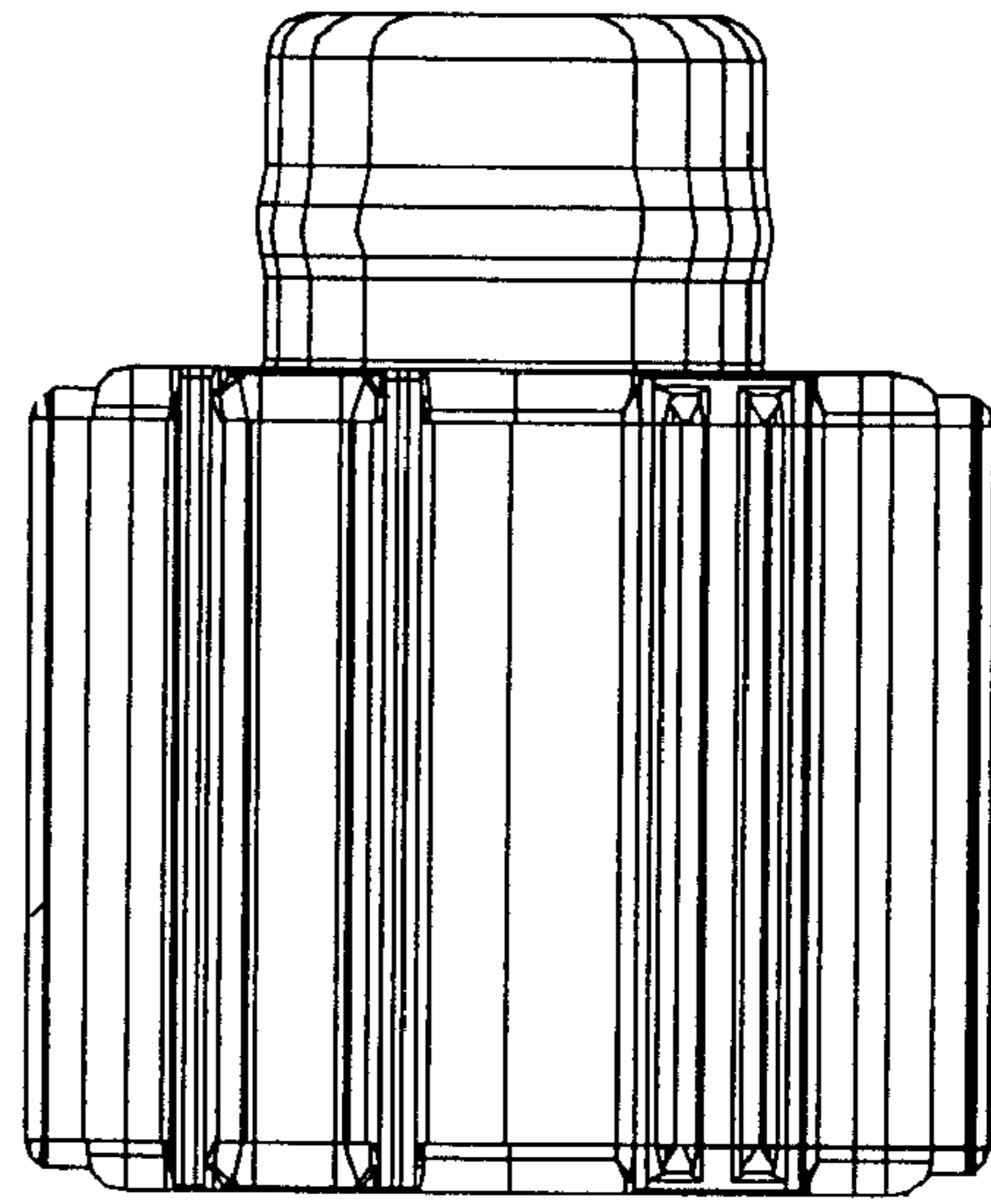


FIG. 2

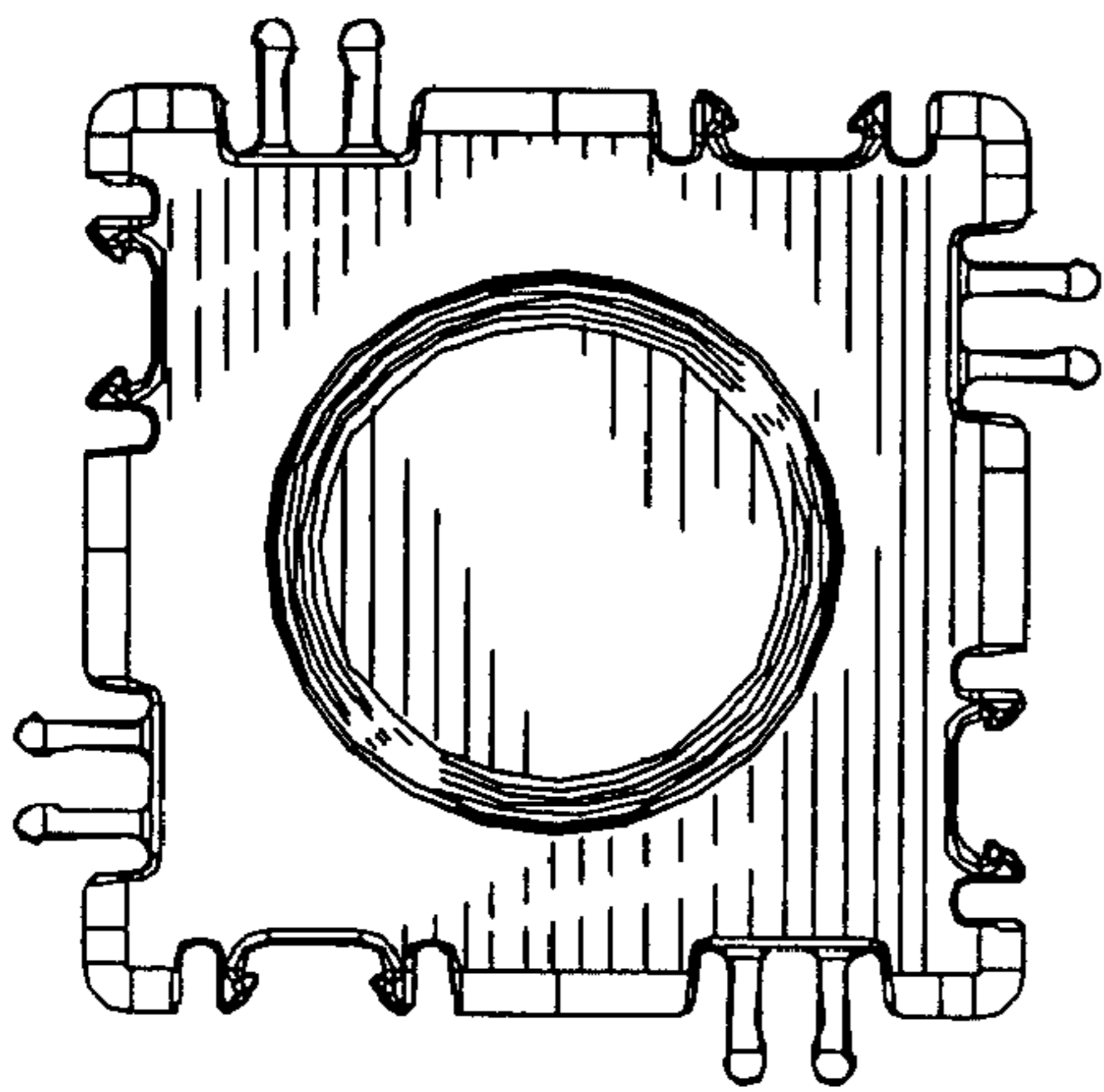


FIG. 3