

US00D545918S

(12) **United States Design Patent**
Sorensen

(10) **Patent No.:** **US D545,918 S**

(45) **Date of Patent:** **** Jul. 3, 2007**

(54) **TOY BUILDING ELEMENT**

6,616,499 B1 9/2003 Sorensen

(76) **Inventor:** **Soren Christian Sorensen**, P. O. Box
31096 SMB, Seven Mile Beach, Grand
Cayman (KY)

* cited by examiner

Primary Examiner—Holly H. Baynham

Assistant Examiner—Cynthia M. Chin

(74) *Attorney, Agent, or Firm*—Edward W. Callan

(**) **Term:** **14 Years**

(21) **Appl. No.:** **29/230,164**

(57) **CLAIM**

(22) **Filed:** **May 17, 2005**

The ornamental design for a toy building element, as shown and described.

(51) **LOC (8) Cl.** **21-01**

(52) **U.S. Cl.** **D21/484**

(58) **Field of Classification Search** D21/483,
D21/484–486, 489–494, 499–506; D25/113–118;
446/69, 85, 101–128; 434/403

See application file for complete search history.

DESCRIPTION

It is intended that the toy building element of the present invention be used in a set of toy building elements that are capable of being interconnected in a releasable engagement.

FIG. 1 is a top perspective view of the toy building element.

FIG. 2 is a bottom perspective view of the toy building element shown in FIG. 1.

FIG. 3 is a front view of the toy building element shown in FIG. 1.

FIG. 4 is a right side view of the toy building element shown in FIG. 1; and,

FIG. 5 is a bottom view of the toy building element shown in FIG. 1.

The interior of the toy building element, which is shown in broken lines for illustrative purposes only, does not form part of the claimed design.

(56) **References Cited**

U.S. PATENT DOCUMENTS

2,106,148	A	1/1938	Kellner	
2,972,833	A	2/1961	La Grutta	
4,306,373	A	12/1981	Chatani et al.	
4,642,064	A	2/1987	Yoke	
D360,908	S *	8/1995	Ruszkai D21/501
5,848,927	A *	12/1998	Frederiksen 446/128
5,853,314	A	12/1998	Bora	
D410,708	S	6/1999	Toft	
5,913,706	A	6/1999	Glickman et al.	
D413,942	S	9/1999	Rudy	
6,162,108	A *	12/2000	Frederiksen 446/102
6,447,360	B1	9/2002	Sorensen	

1 Claim, 3 Drawing Sheets

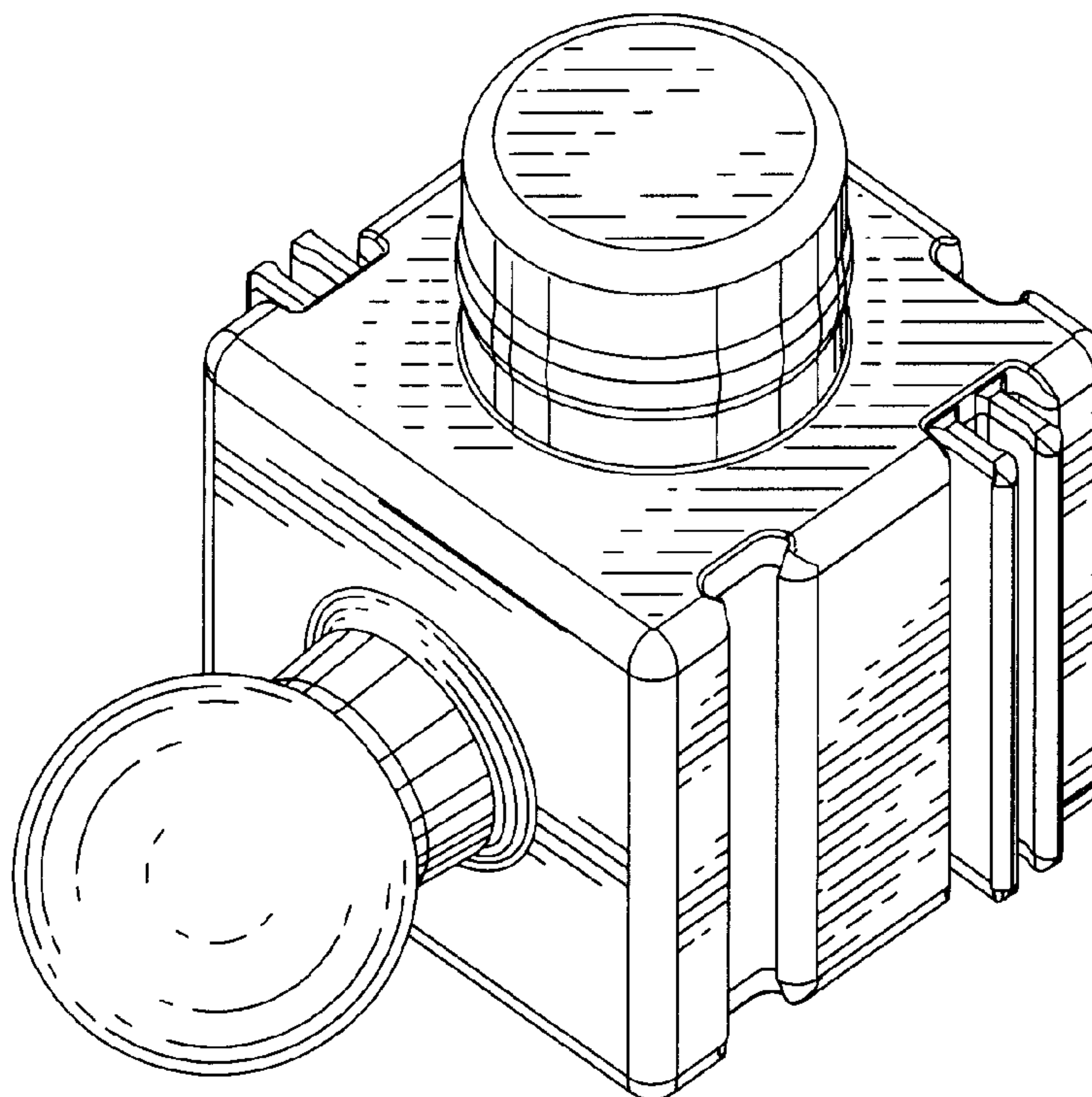


FIG. 1

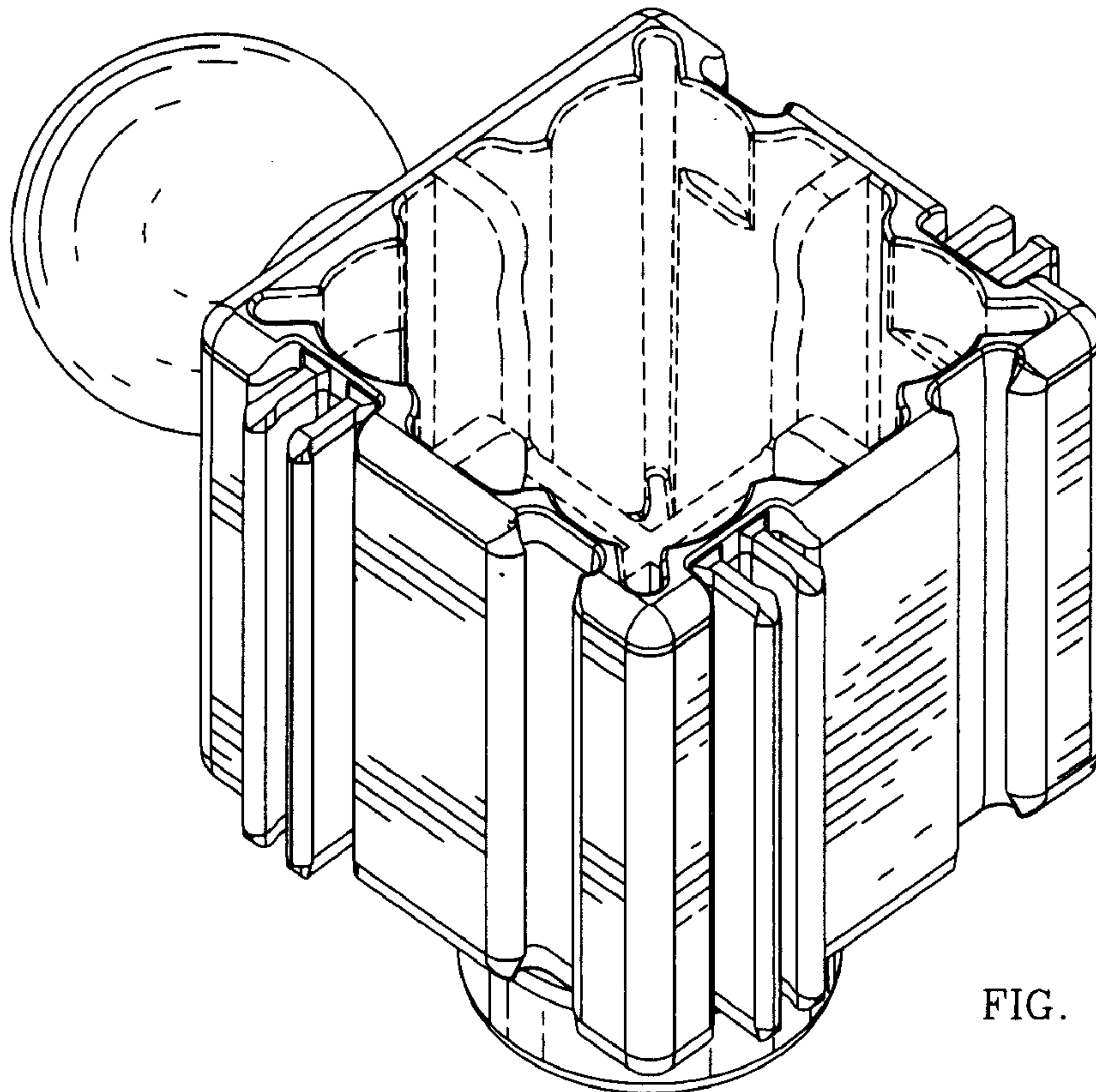
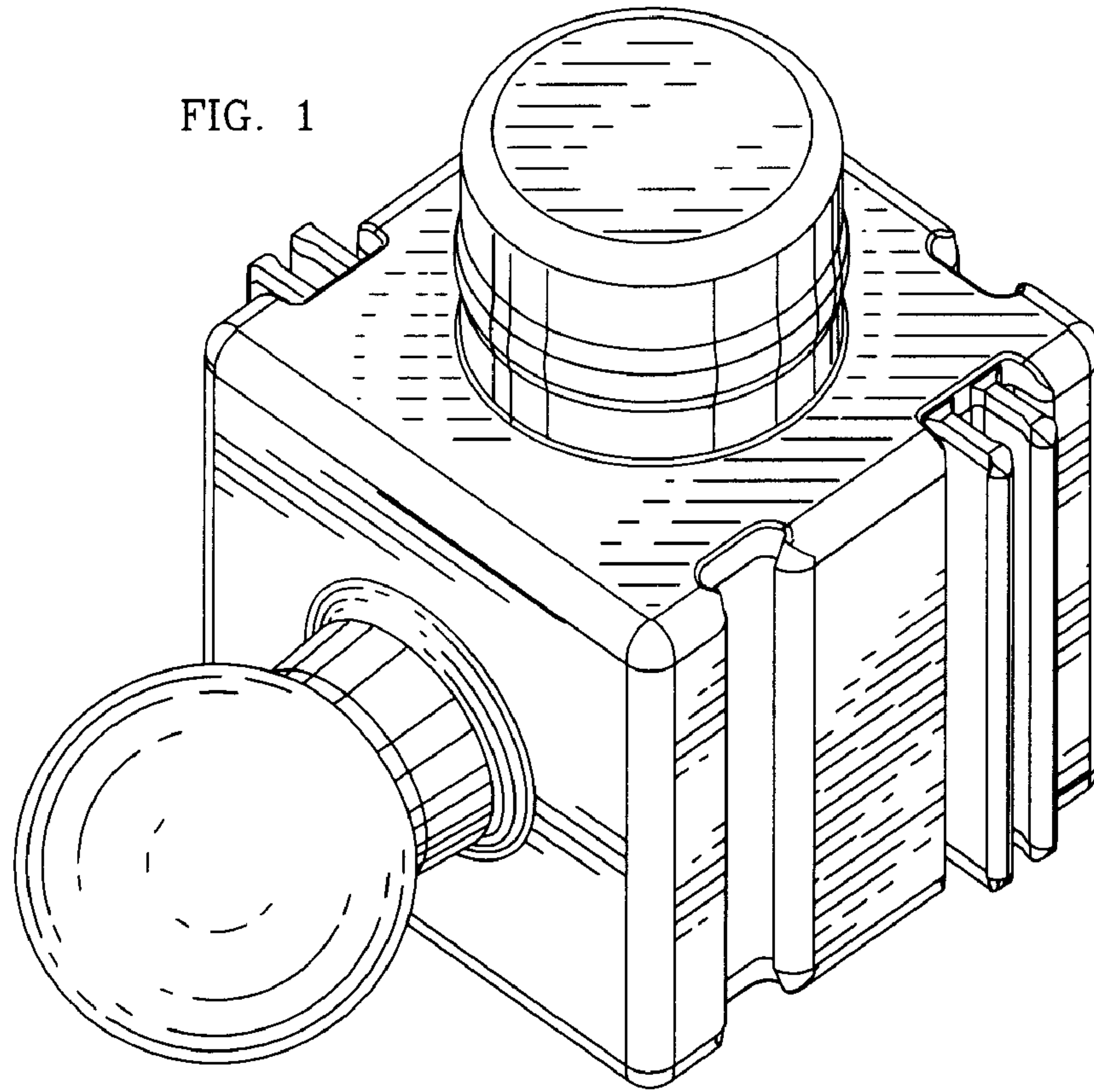


FIG. 2

FIG. 3

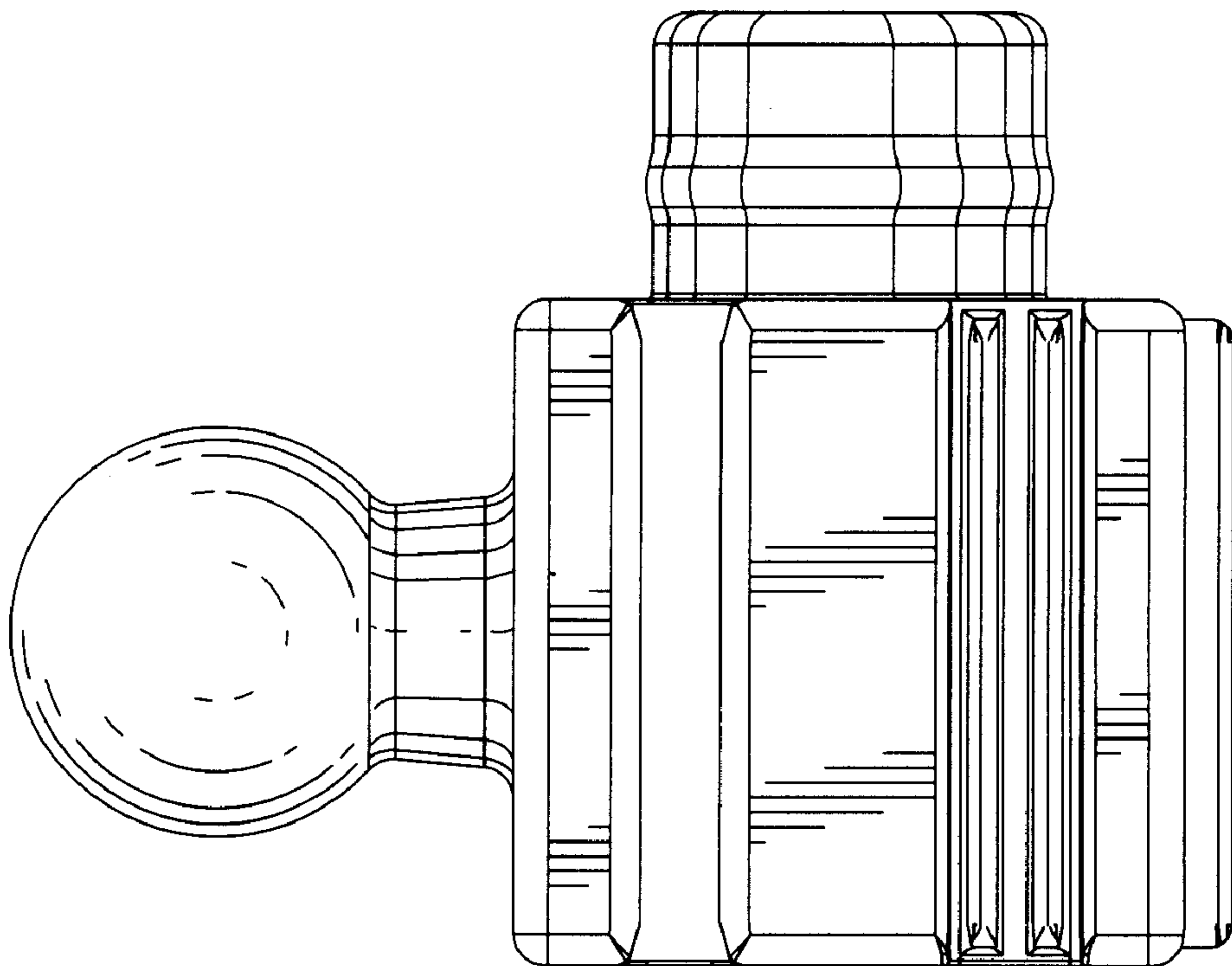
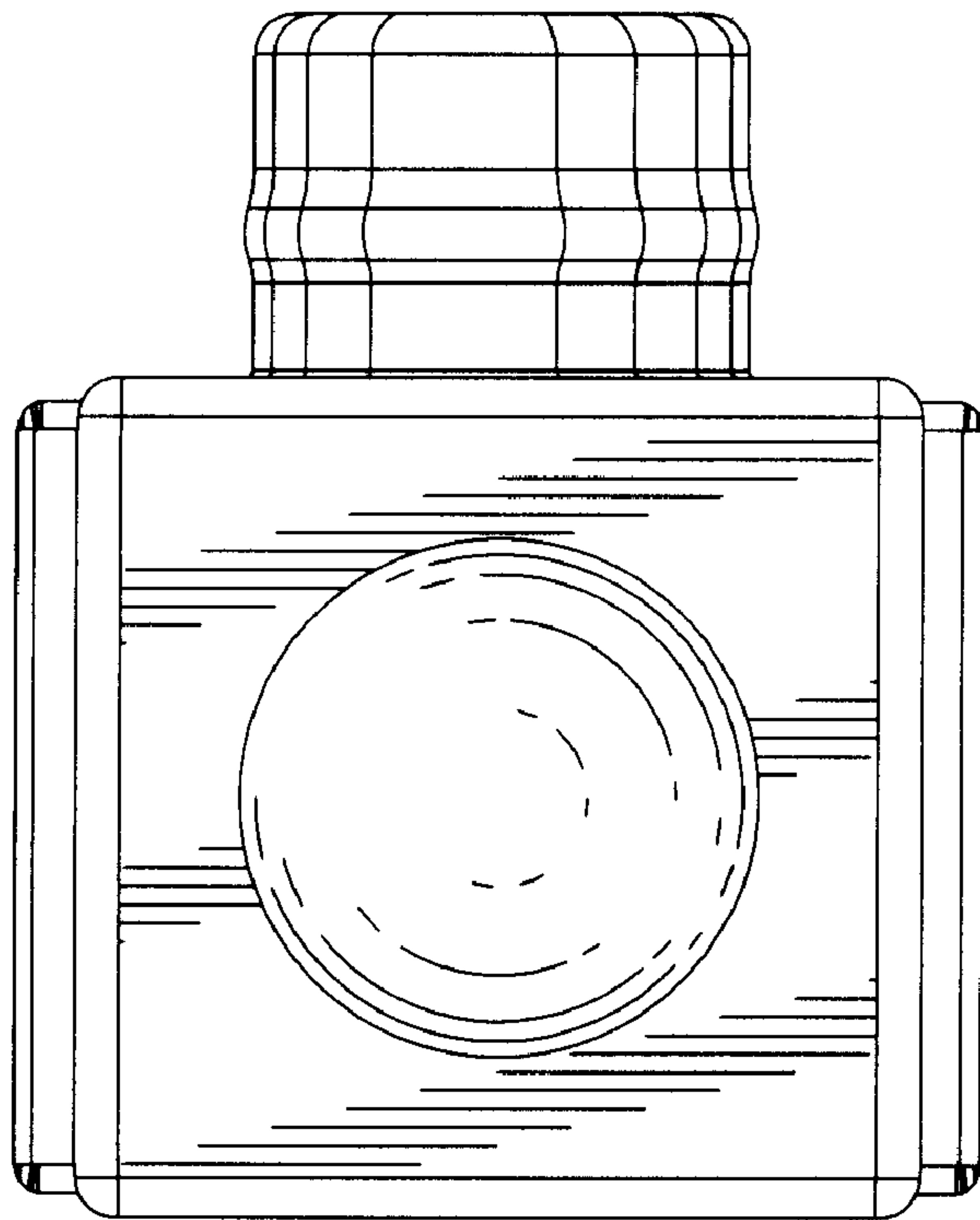


FIG. 4

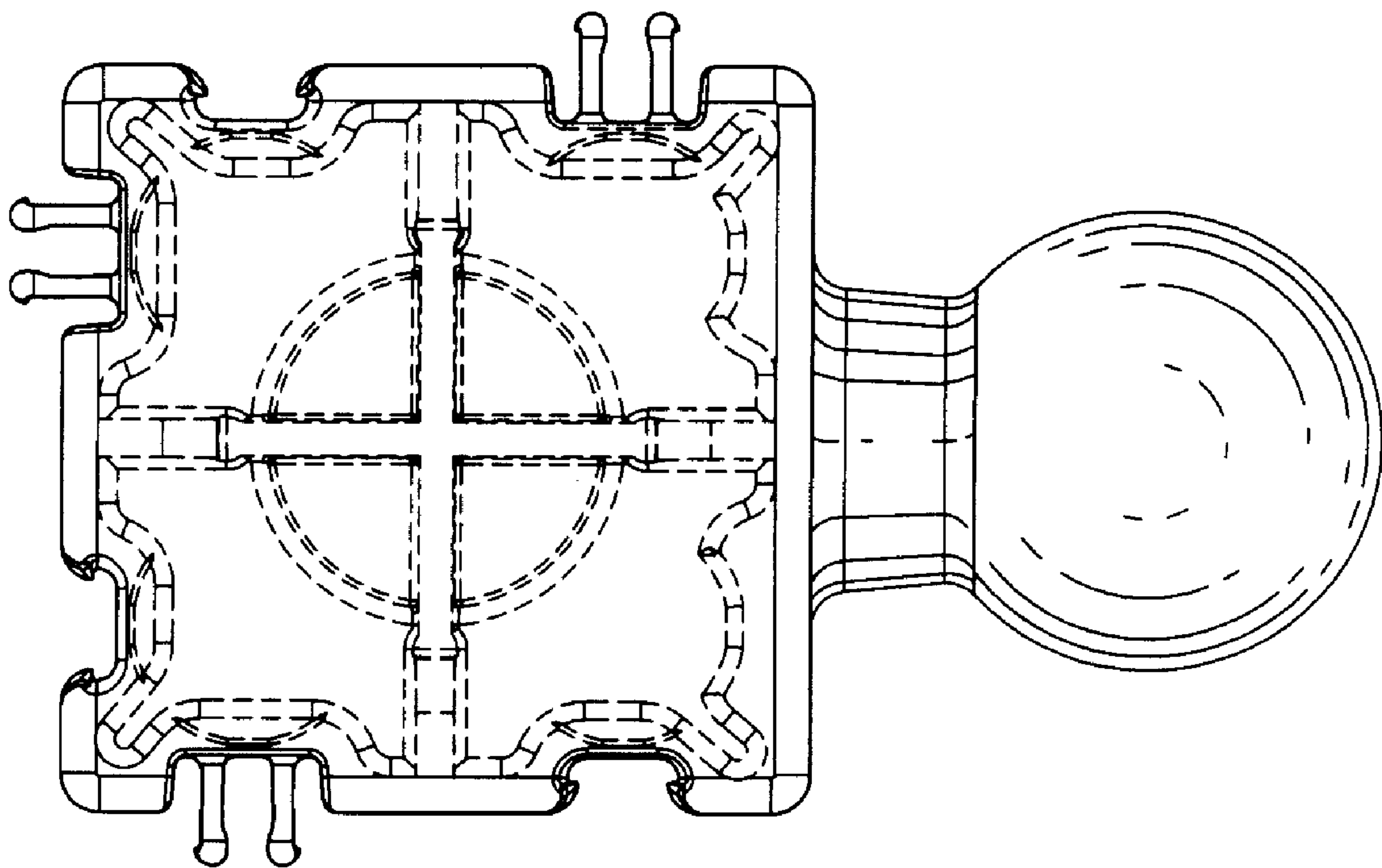


FIG. 5