

US00D545917S

(12) **United States Design Patent**
Sorensen

(10) **Patent No.:** **US D545,917 S**

(45) **Date of Patent:** **** Jul. 3, 2007**

(54) **TOY BUILDING ELEMENT**

(76) Inventor: **Soren Christian Sorensen**, P.O. Box
31096 SMB, Seven Mile Beach, Grand
Cayman (KY)

(**) Term: **14 Years**

(21) Appl. No.: **29/230,163**

(22) Filed: **May 17, 2005**

(51) **LOC (8) Cl.** **21-01**

(52) **U.S. Cl.** **D21/484**

(58) **Field of Classification Search** D21/483,
D21/484-486, 489-494, 499-506; D25/113-118;
446/69, 85, 101-128; 434/403

See application file for complete search history.

(56) **References Cited**

U.S. PATENT DOCUMENTS

2,106,148	A	1/1938	Kellner	
2,972,833	A	2/1961	La Grutta	
4,306,373	A	12/1981	Chatani et al.	
D285,226	S *	8/1986	Kassai	D21/499
4,642,064	A	2/1987	Yoke	
4,792,319	A *	12/1988	Svagerko	446/104
D370,503	S *	6/1996	Burns	D21/500
5,853,314	A	12/1998	Bora	
D410,708	S	6/1999	Toft	
5,913,706	A	6/1999	Glickman et al.	
D413,942	S	9/1999	Rudy	
D415,216	S *	10/1999	Krog	D21/502
6,447,360	B1 *	9/2002	Sorensen	446/124
6,616,499	B1	9/2003	Sorensen	

6,648,715 B2 * 11/2003 Wiens et al. 446/121
2003/0082986 A1 * 5/2003 Wiens et al. 446/120

* cited by examiner

Primary Examiner—Holly H. Baynham

Assistant Examiner—Cynthia M. Chin

(74) *Attorney, Agent, or Firm*—Edward W. Callan

(57) **CLAIM**

The ornamental design for a toy building element, as shown and described.

DESCRIPTION

It is intended that the toy building element of the present invention be used in a set of toy building elements that are capable of being interconnected in a releasable engagement.

FIG. 1 is a front perspective view of the toy building element.

FIG. 2 is a left side view of the toy building element shown in FIG. 1, the right side view being identical.

FIG. 3 is a front view of the toy building element shown in FIG. 1, the rear view being identical.

FIG. 4 is a top view of the toy building element shown in FIG. 1; and,

FIG. 5 is a bottom view of the toy building element shown in FIG. 1.

The interior of the toy building element, which is shown in broken lines for illustrative purposes only, does not form part of the claimed design.

1 Claim, 3 Drawing Sheets

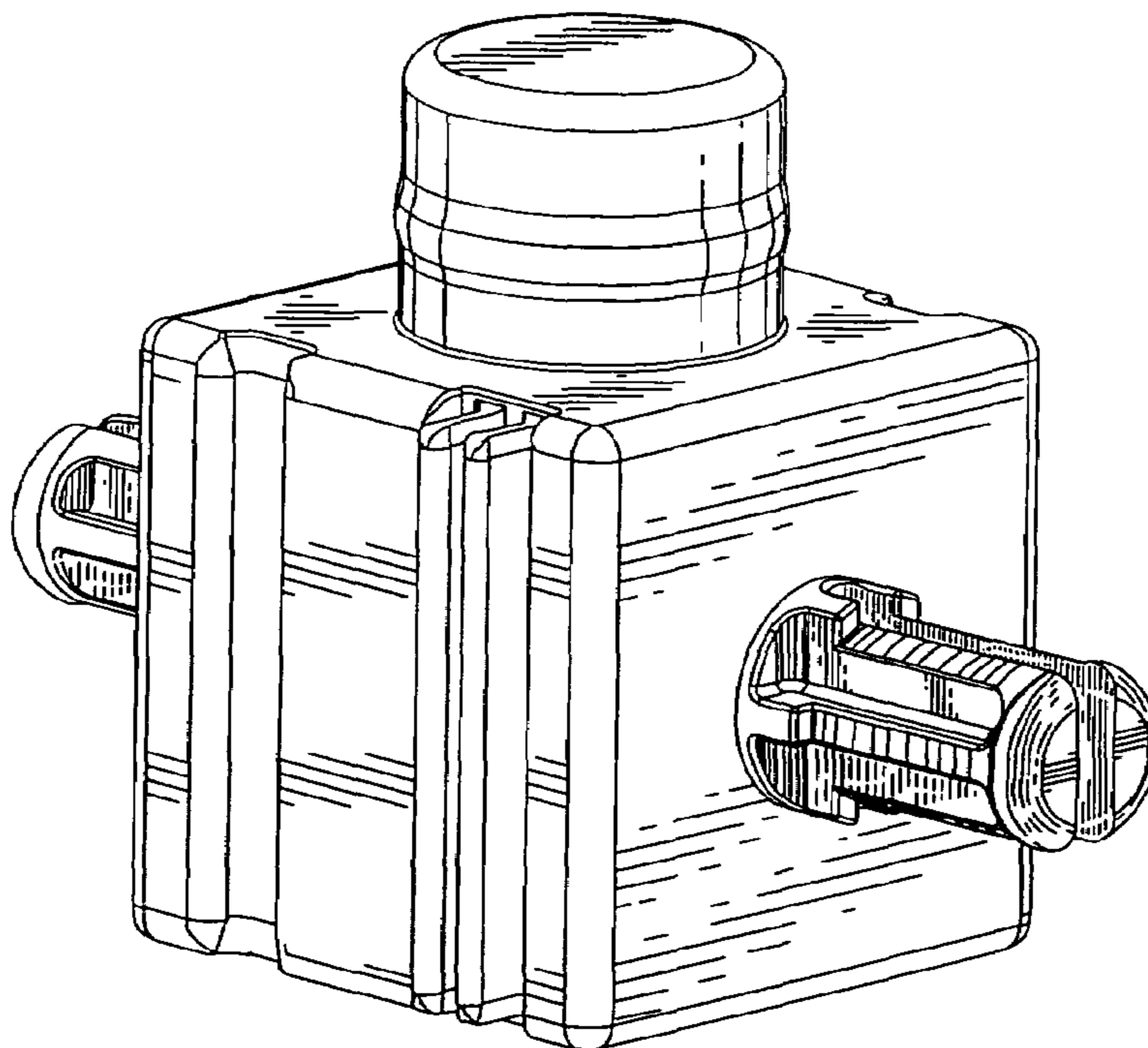


FIG. 3

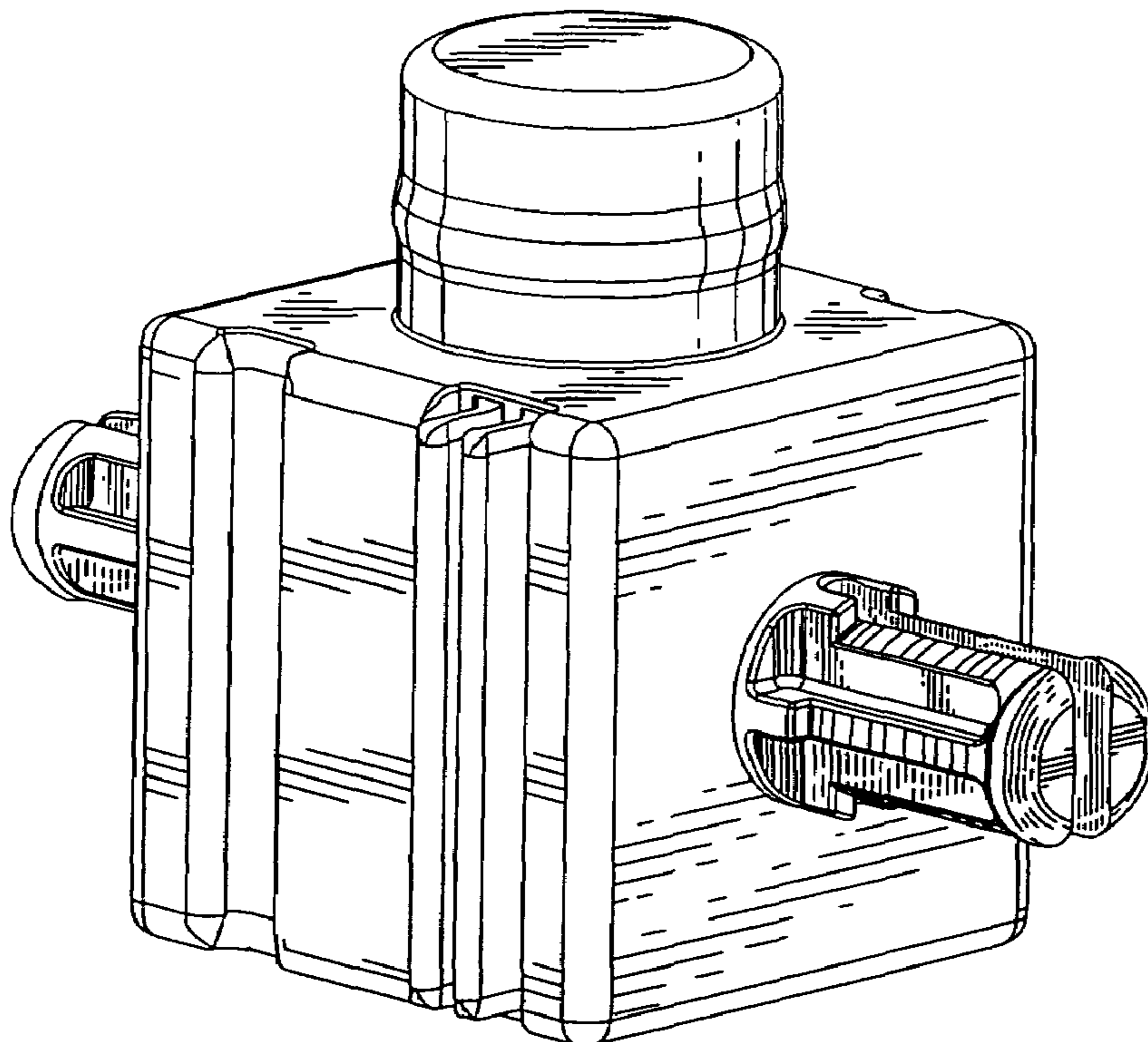
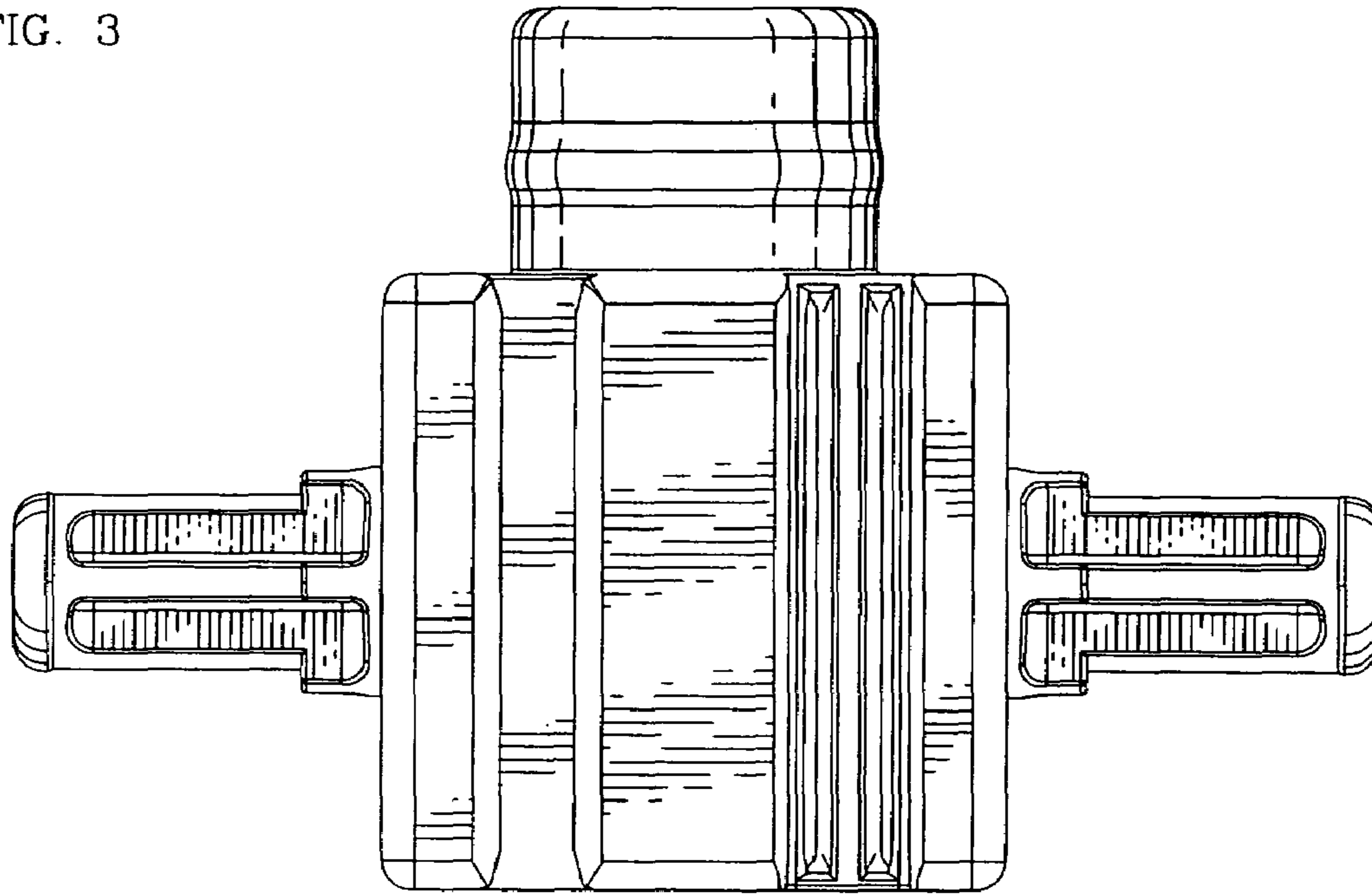


FIG. 1

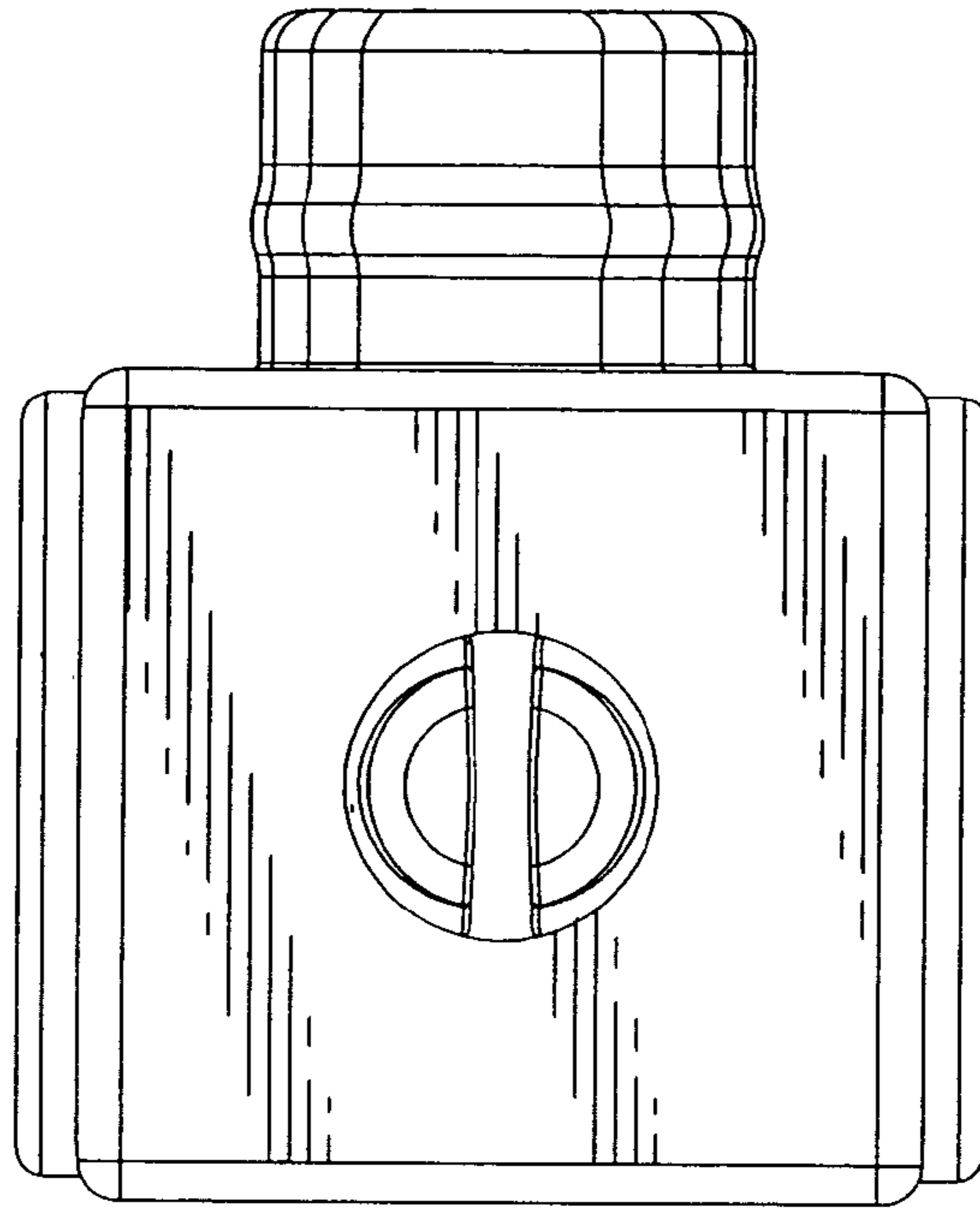


FIG. 2

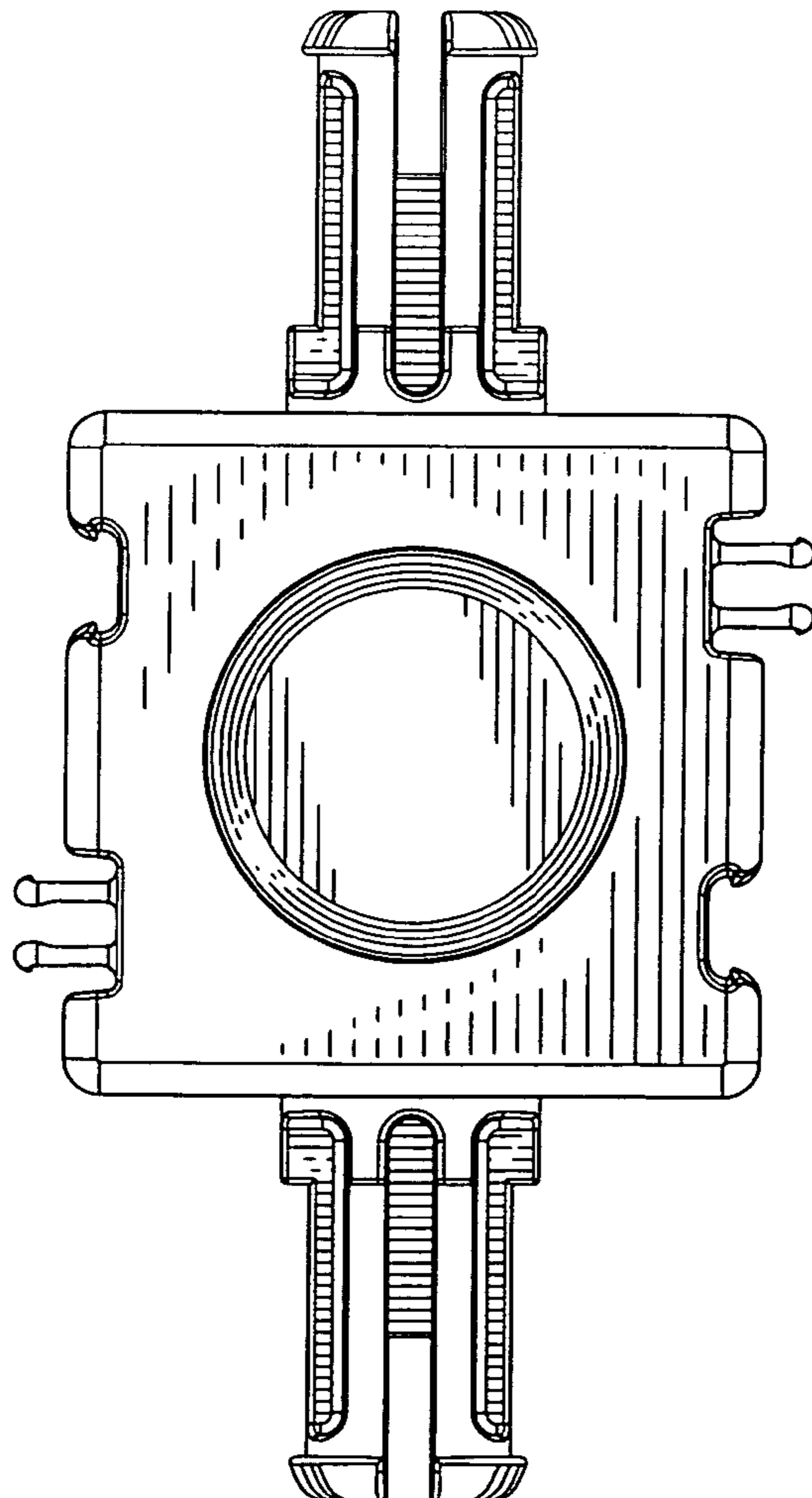


FIG. 4

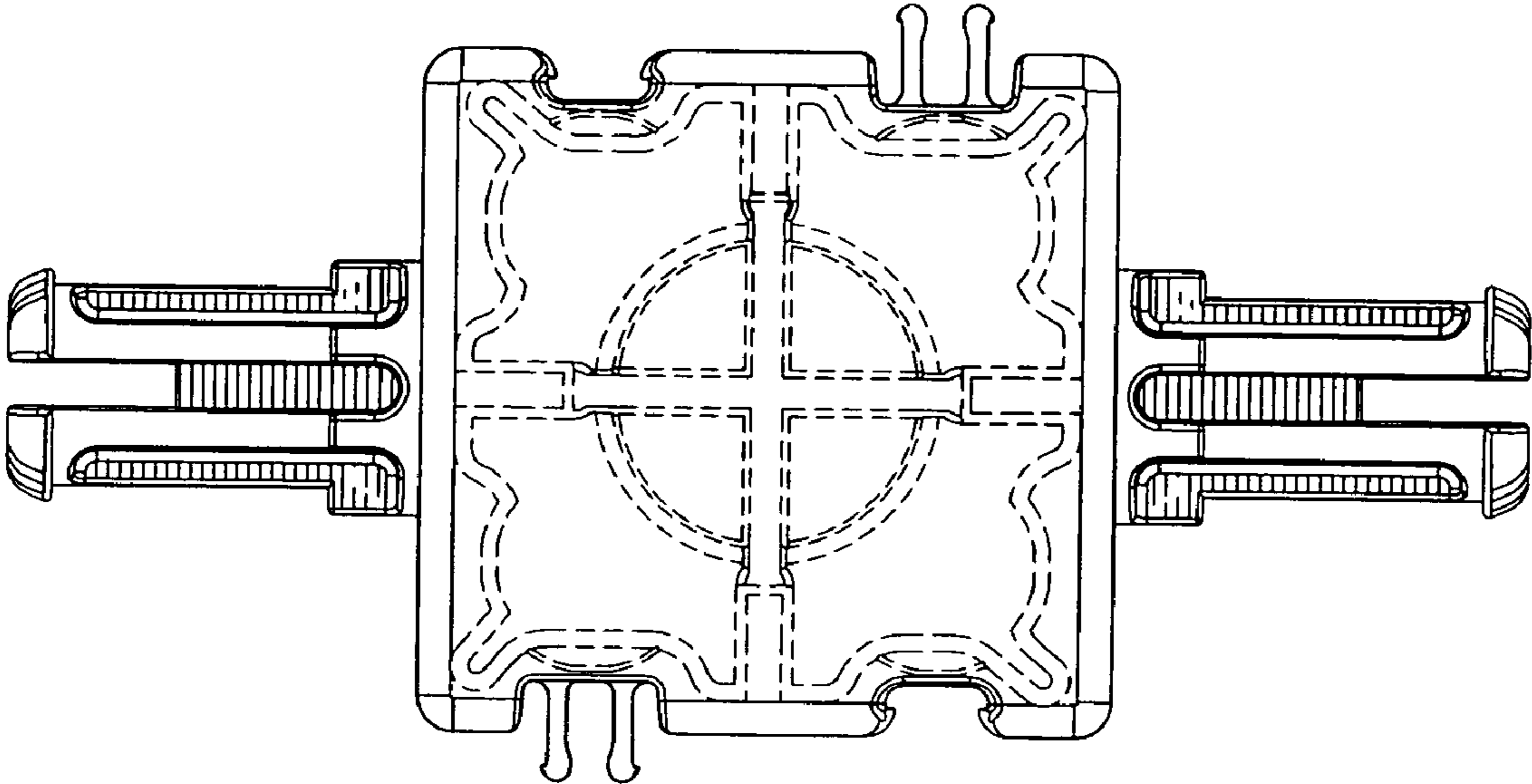


FIG. 5