

US00D545912S

(12) **United States Design Patent**
Nunokawa

(10) **Patent No.:** **US D545,912 S**
(45) **Date of Patent:** **** Jul. 3, 2007**

(54) **SIMULATED PILOTING GAME DEVICE**

6,739,974 B2 * 5/2004 Kanno et al. 463/36
D500,098 S * 12/2004 Doi D21/477
D516,128 S * 2/2006 Nunokawa D21/327

(75) Inventor: **Hiroki Nunokawa**, Tokyo (JP)

(73) Assignee: **Sega Corporation**, Tokyo (JP)

(**) Term: **14 Years**

(21) Appl. No.: **29/261,397**

(22) Filed: **Jun. 14, 2006**

(30) **Foreign Application Priority Data**

Dec. 14, 2005 (JP) 2005-036796

(51) **LOC (8) Cl.** **21-01**

(52) **U.S. Cl.** **D21/326**

(58) **Field of Classification Search** D21/324-330,
D21/369-375, 33; 273/148 B, 148 A, 138.1,
273/139, 138.2, 148 R; 463/1, 7, 46, 16-22,
463/47, 29-35; 345/905

See application file for complete search history.

(56) **References Cited**

U.S. PATENT DOCUMENTS

D188,376 S * 7/1960 Hotkins et al. D21/326
D376,391 S * 12/1996 Okumura D21/366
D392,688 S * 3/1998 Isetani et al. D21/326
D411,258 S * 6/1999 Isetani et al. D21/328
D421,070 S * 2/2000 Jang et al. D21/325
6,410,835 B2 * 6/2002 Suzuki et al. D8/464 R
6,471,586 B1 * 10/2002 Aiki et al. 463/6
6,612,929 B2 * 9/2003 Fujimoto et al. 463/32

* cited by examiner

Primary Examiner—Prabhakar Deshmukh

(74) *Attorney, Agent, or Firm*—Dickstein Shapiro LLP

(57) **CLAIM**

The ornamental design for a simulated piloting game device,
as shown and described.

DESCRIPTION

FIG. 1 is a front, top and right side perspective view of my
new design for a simulated piloting game device;

FIG. 2 is a front elevational view of the simulated piloting
game device of FIG. 1;

FIG. 3 is a rear elevational view of the simulated piloting
game device of FIG. 1;

FIG. 4 is a right side elevational view of the simulated
piloting game device of FIG. 1;

FIG. 5 is a left side elevational view of the simulated piloting
game device of FIG. 1;

FIG. 6 is a top plan view of the simulated piloting game
device of FIG. 1; and,

FIG. 7 is a bottom plan view of the simulated piloting game
device of FIG. 1.

1 Claim, 3 Drawing Sheets

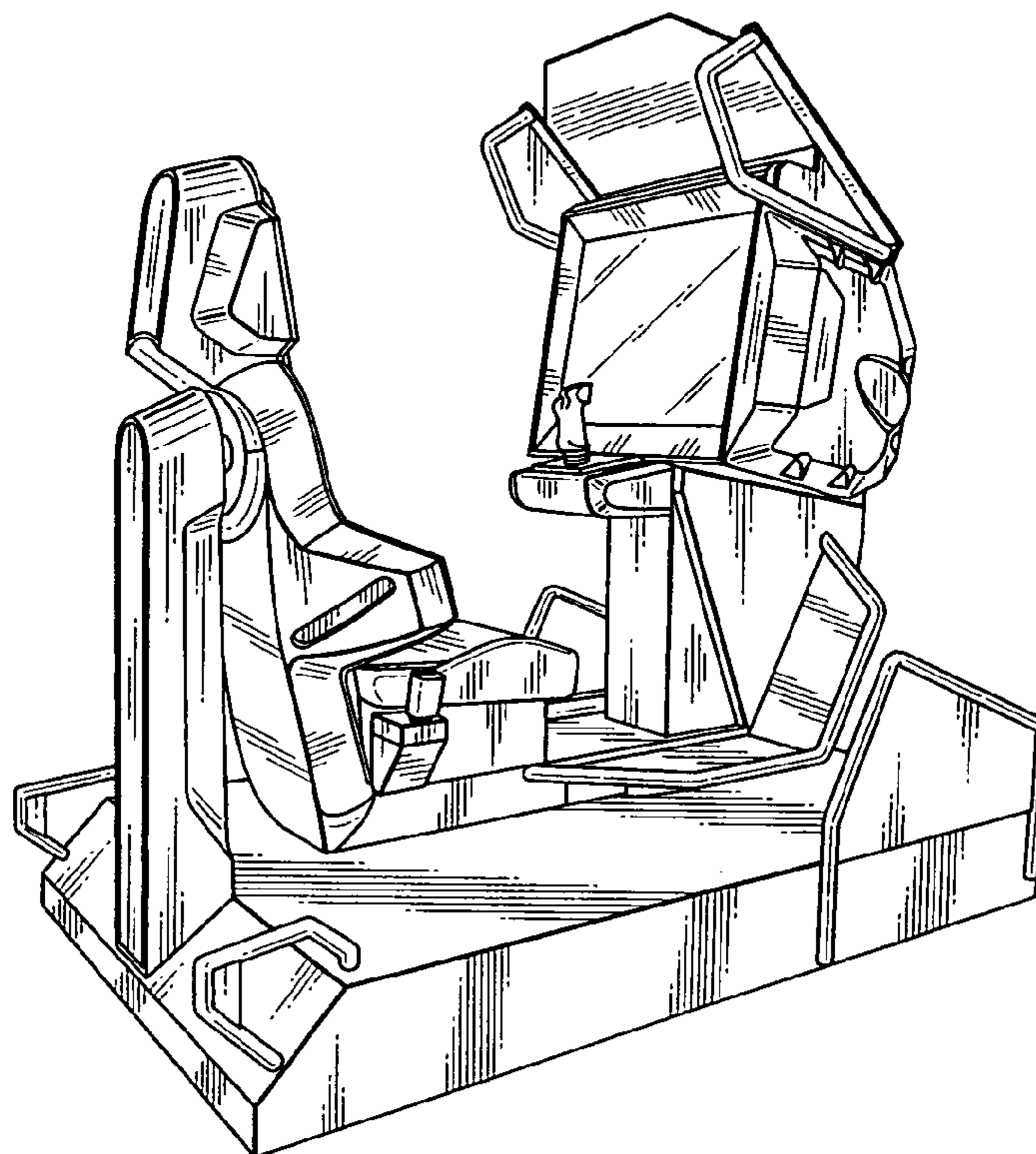


FIG.1

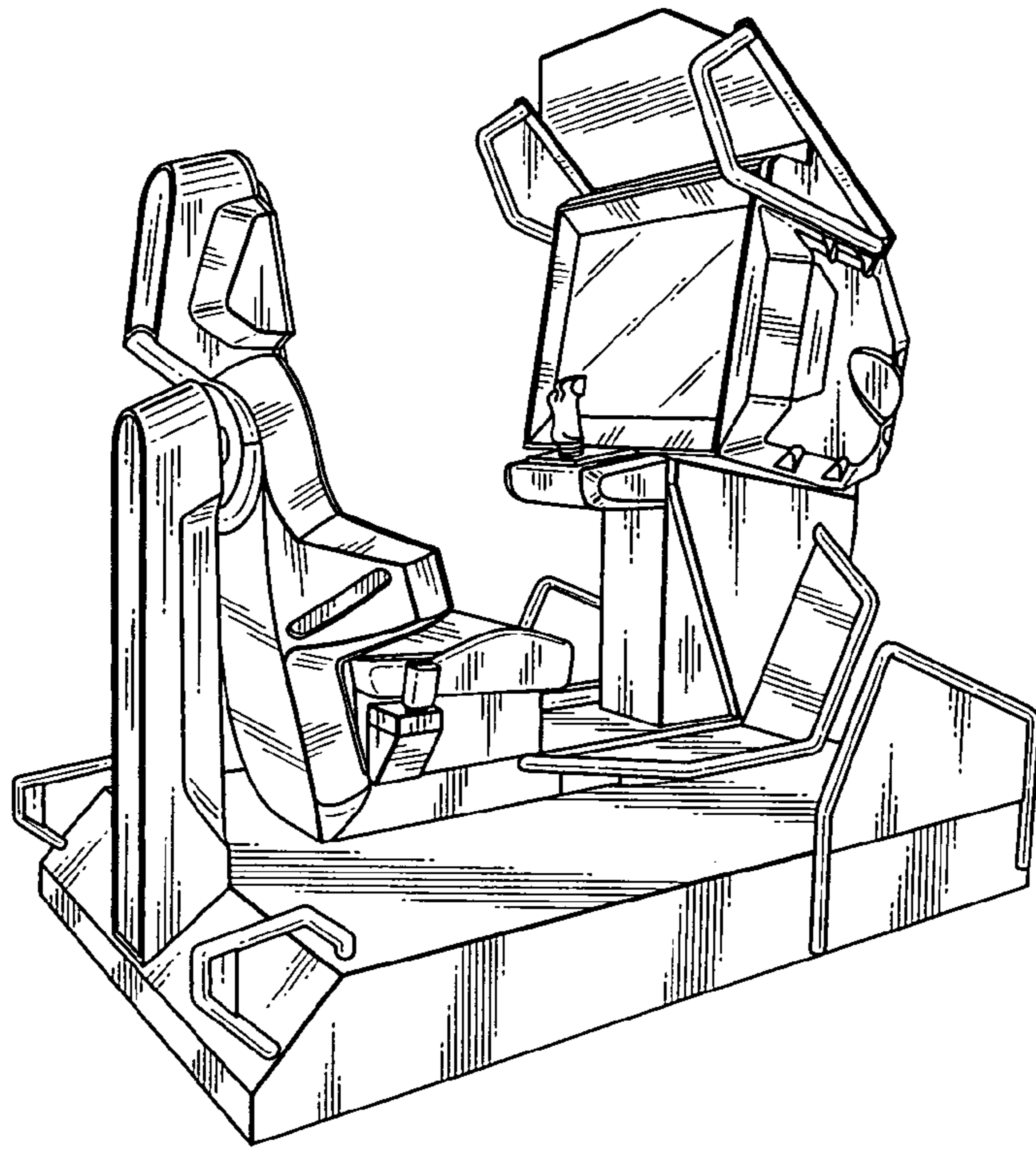


FIG.2

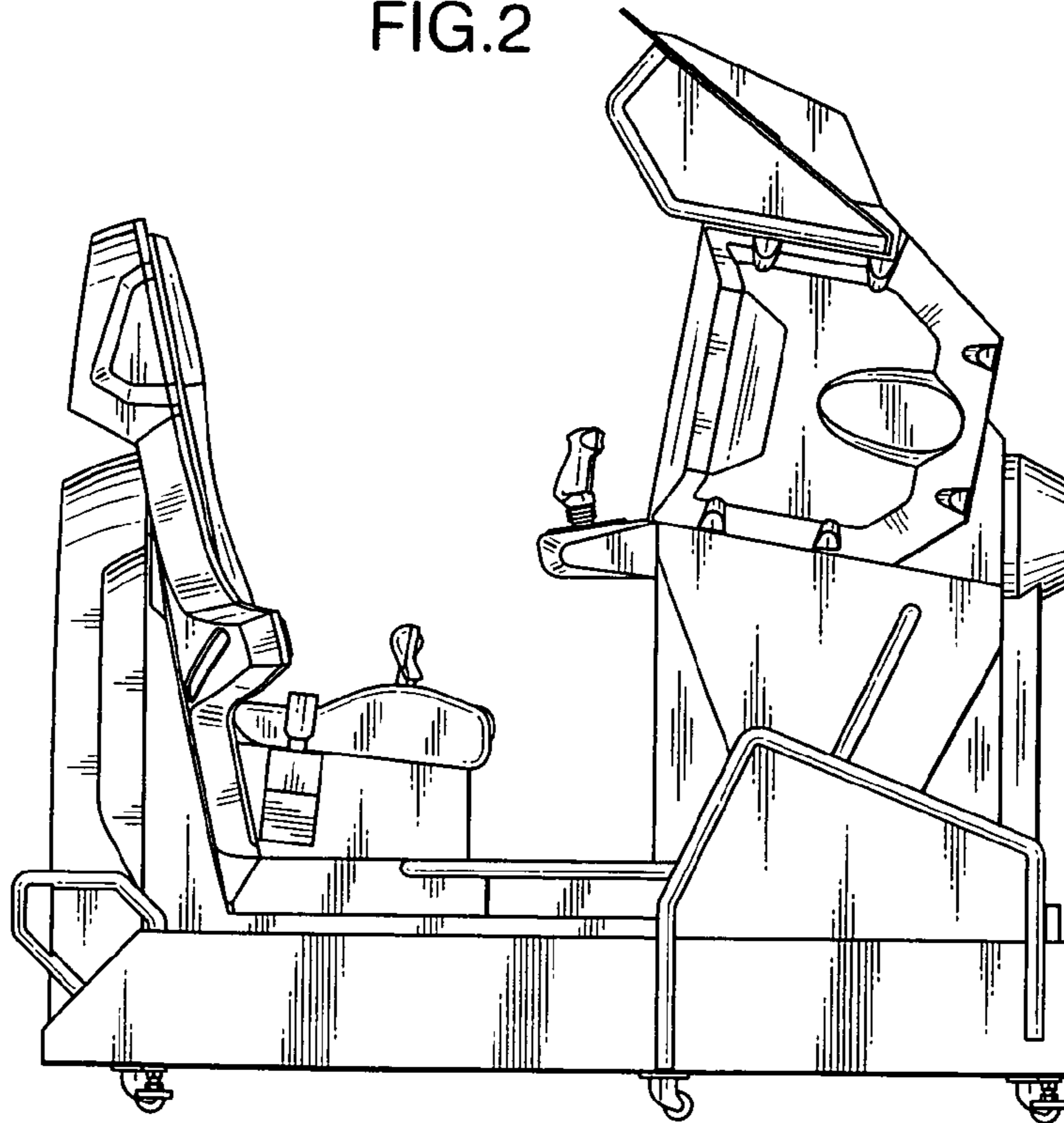


FIG.3

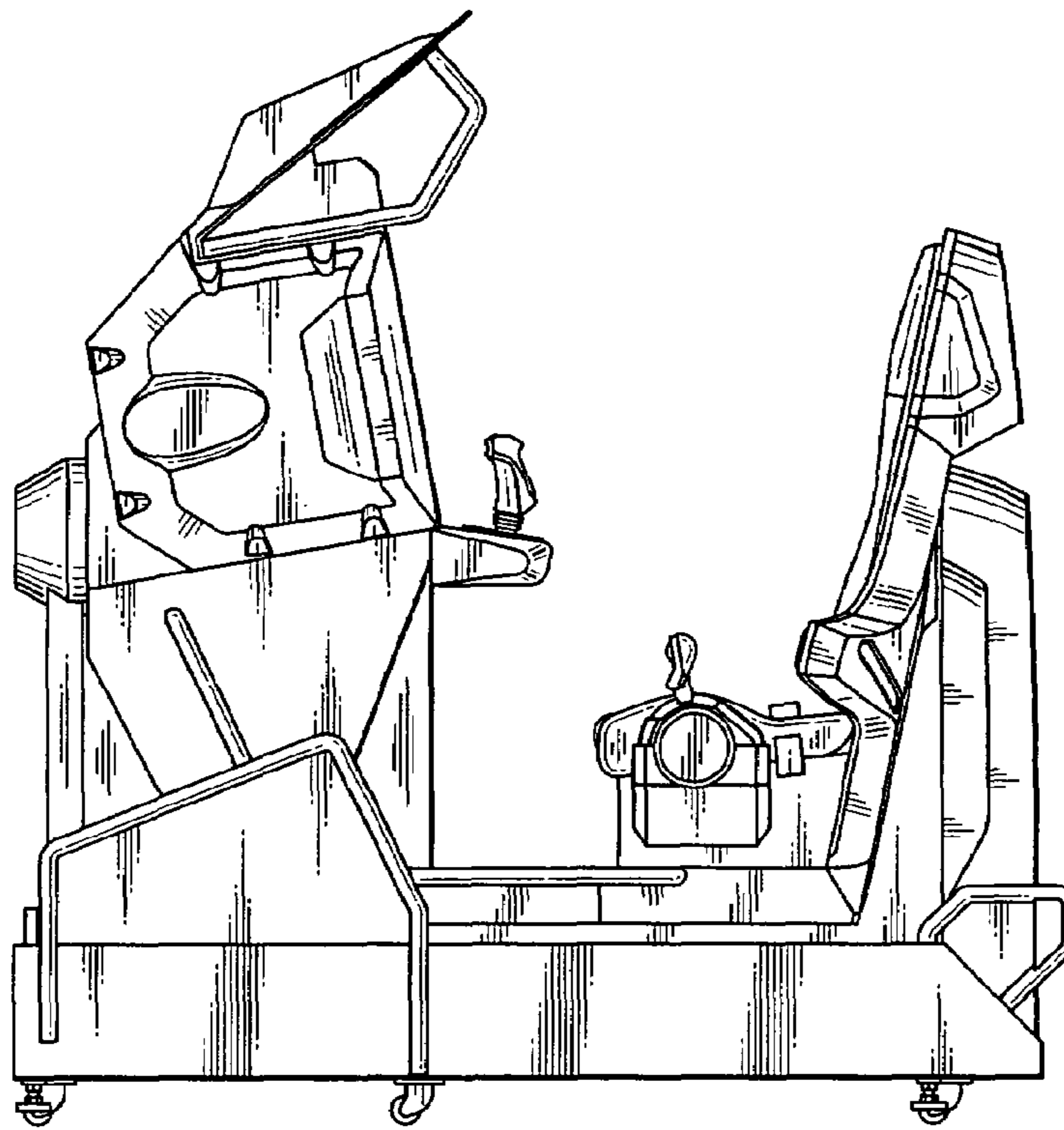


FIG.4

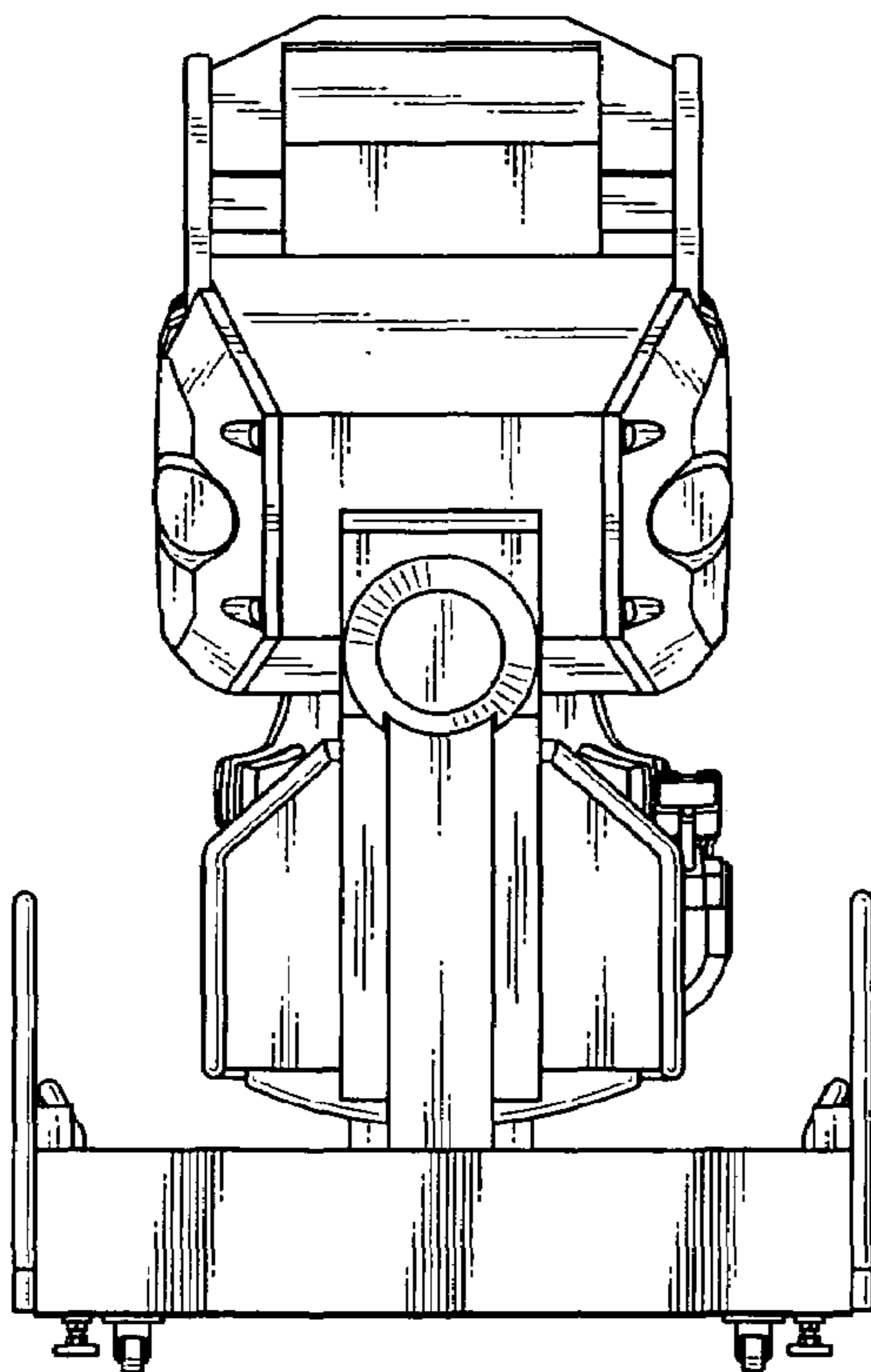


FIG.5

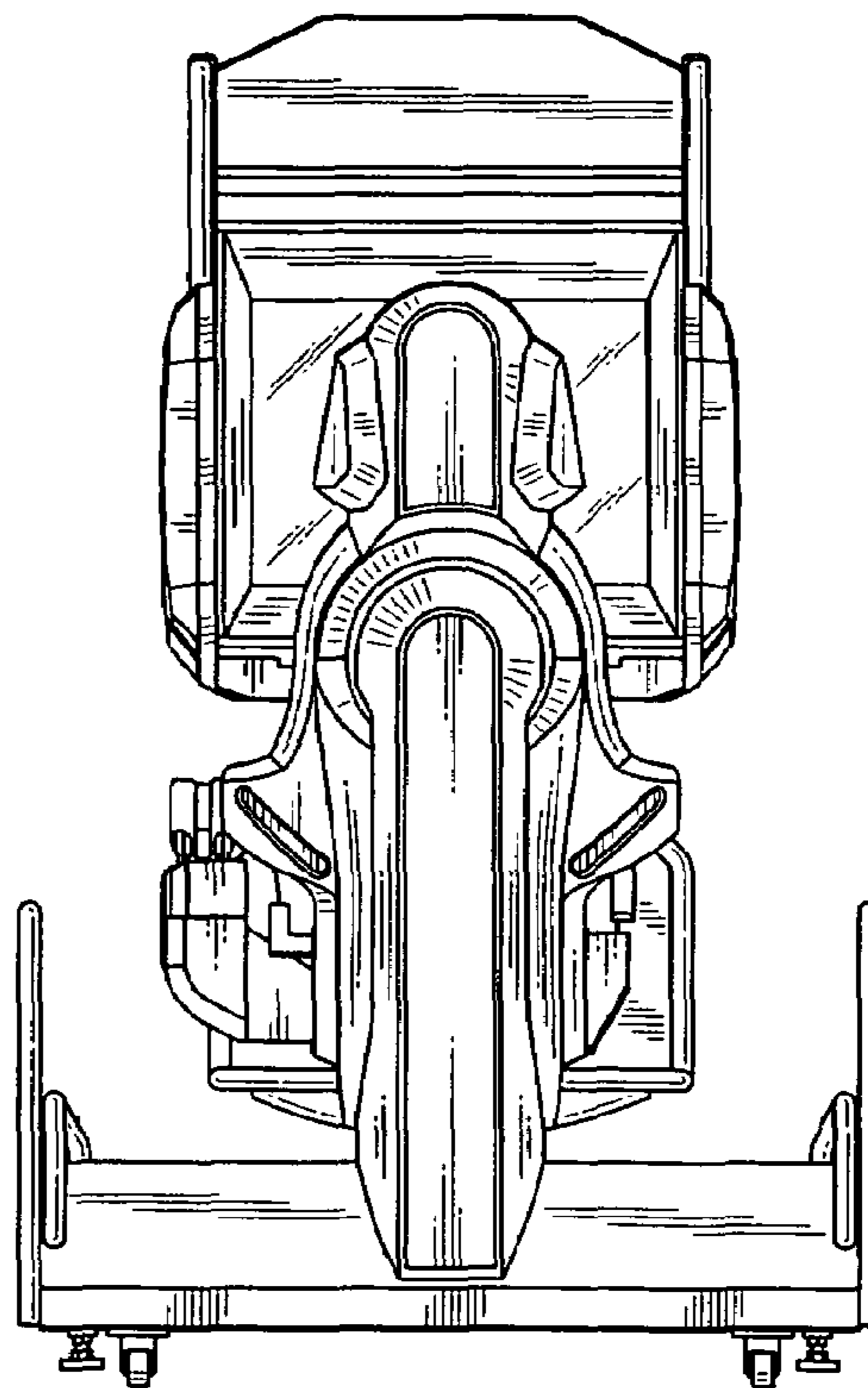


FIG. 6

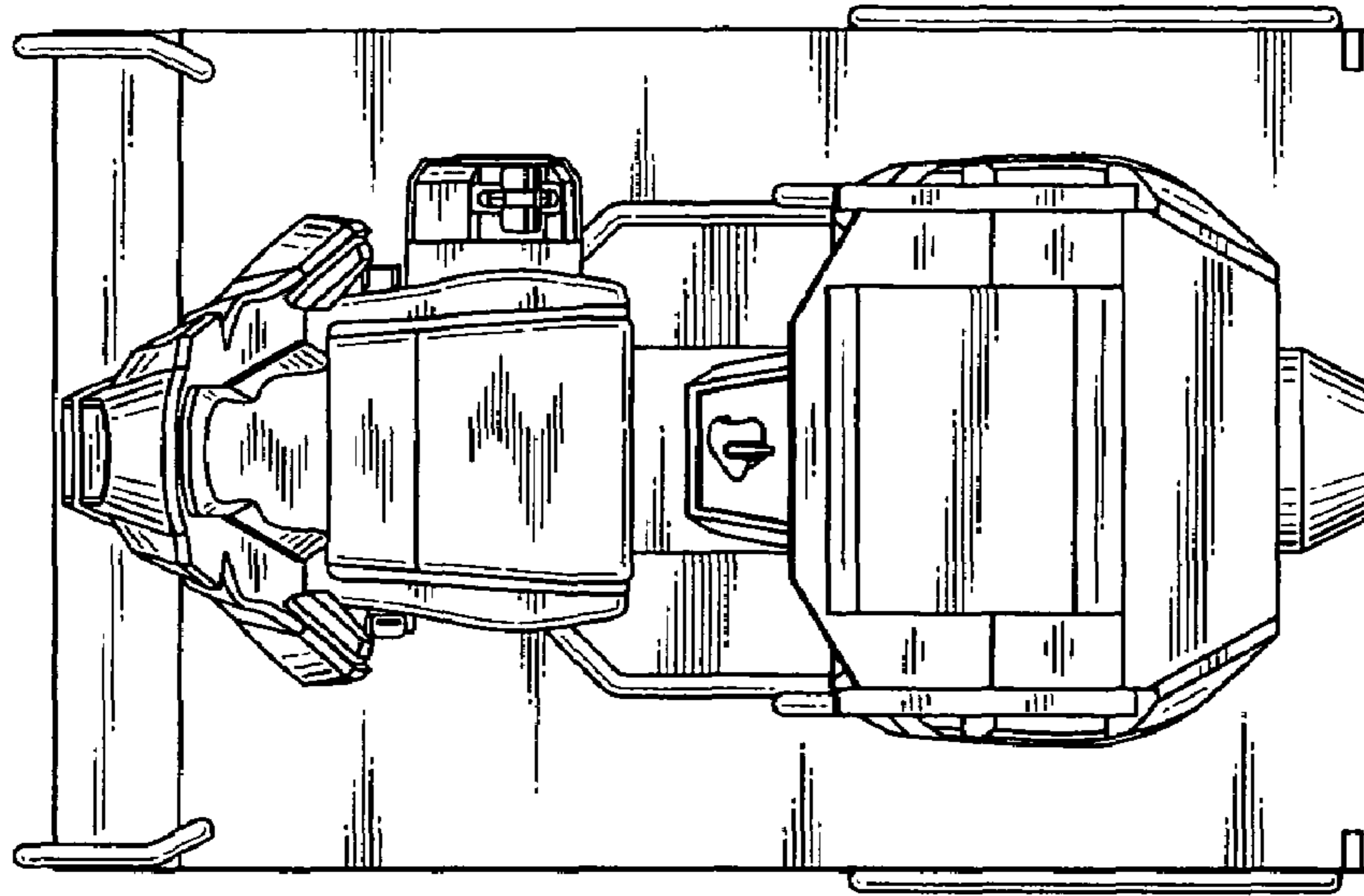


FIG. 7

