

US00D545907S

(12) **United States Design Patent**  
**Nelson**

(10) **Patent No.:** **US D545,907 S**

(45) **Date of Patent:** **\*\* Jul. 3, 2007**

(54) **DISPLAY**

(75) Inventor: **Charles R. Nelson**, Spartanburg, SC  
(US)

(73) Assignee: **Fallon Luminous Products Corp.**,  
Spartanburg, SC (US)

(\*\*) Term: **14 Years**

(21) Appl. No.: **29/231,877**

(22) Filed: **Jun. 10, 2005**

(51) **LOC (8) Cl.** ..... **20-03**

(52) **U.S. Cl.** ..... **D20/10**

(58) **Field of Classification Search** ..... D20/10,  
D20/19, 21, 42, 99; 362/81, 551, 555, 559,  
362/561, 562, 811, 812; 40/130, 538, 540-553,  
40/564, 572, 574, 584, 606.12, 644; D26/31  
See application file for complete search history.

(56) **References Cited**

**U.S. PATENT DOCUMENTS**

1,570,980 A	1/1926	Wiegand	40/130
1,872,428 A	8/1932	Drury	40/130
1,917,956 A	7/1933	Earley	40/130
2,095,291 A	10/1937	Schneider	40/130
2,302,667 A	11/1942	Duncan	40/545
D161,715 S	1/1951	Siegel et al.	D20/10
D162,354 S *	3/1951	Smith	D20/10
D162,355 S	3/1951	Smith	D20/10
D162,637 S	3/1951	Emst	D20/42
2,556,779 A	6/1951	Ross	40/545
3,056,221 A	10/1962	Brienza	40/545
D214,860 S	8/1969	Avila	D20/29
4,169,327 A	10/1979	Stilling	40/549
4,201,003 A	5/1980	Witt	40/545
4,852,285 A	8/1989	Kimoto	40/542
5,267,404 A	12/1993	Kizy	40/545
5,493,804 A	2/1996	Lo	40/545
5,533,286 A	7/1996	Fallon et al.	40/545

5,536,558 A	7/1996	Shelton	40/541 X
5,579,598 A	12/1996	Fallon et al.	40/545
D433,453 S	11/2000	Fallon et al.	D20/10
D456,850 S *	5/2002	Fallon	D20/10
D460,490 S *	7/2002	Fallon	D20/10
D461,846 S	8/2002	Fallon	D20/10
D477,032 S *	7/2003	Fallon	D20/10
D484,916 S	1/2004	Fallon	D20/10
D516,125 S *	2/2006	Fincher	D20/10
2006/0059742 A1 *	3/2006	Pan	40/544

**OTHER PUBLICATIONS**

OPEN Sign—Arterneon Arterneon Signs Online Store [www.arterneon.com/ShowImage.asp?img=images/enlarge/10153.gif](http://www.arterneon.com/ShowImage.asp?img=images/enlarge/10153.gif)\*

\* cited by examiner

*Primary Examiner*—Robert M. Spear

*Assistant Examiner*—Mary Ann Calabrese

(74) *Attorney, Agent, or Firm*—Joseph T. Guy; Nexsen Pruet, LLC

(57) **CLAIM**

The ornamental design for a display, as shown and described.

**DESCRIPTION**

FIG. 1 is a front perspective view of a display of the present invention;

FIG. 2 is a front view of the display of FIG. 1;

FIG. 3 is a top view of the display of FIG. 1;

FIG. 4 is a bottom view of the of the display of FIG. 1;

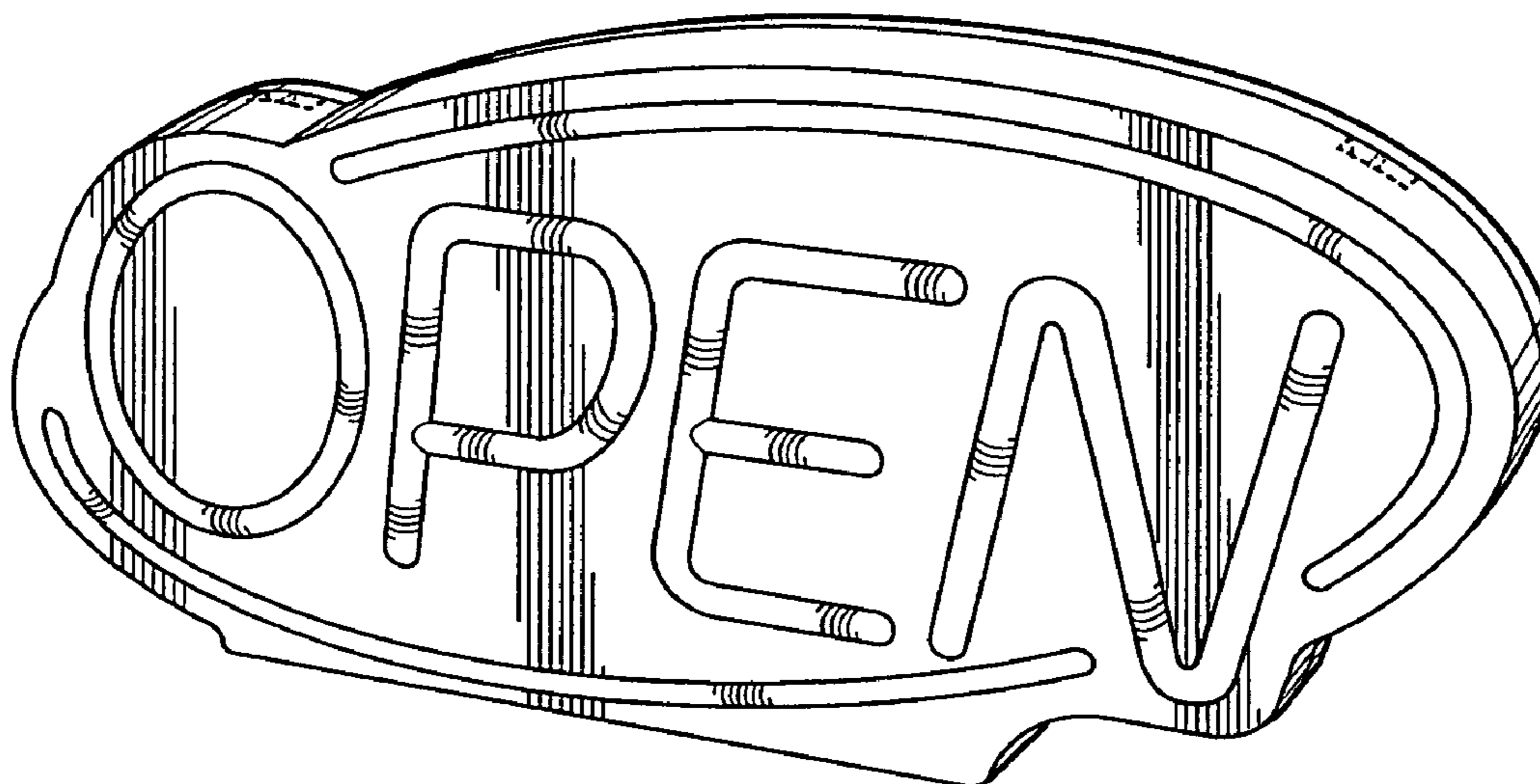
FIG. 5 is a left side view of the display of FIG. 1;

FIG. 6 is a right side view of the display of FIG. 1; and,

FIG. 7 is a rear view of the display of FIG. 1.

The broken lines in the drawings represent environmental structure only and form no part of the claimed design.

**1 Claim, 2 Drawing Sheets**



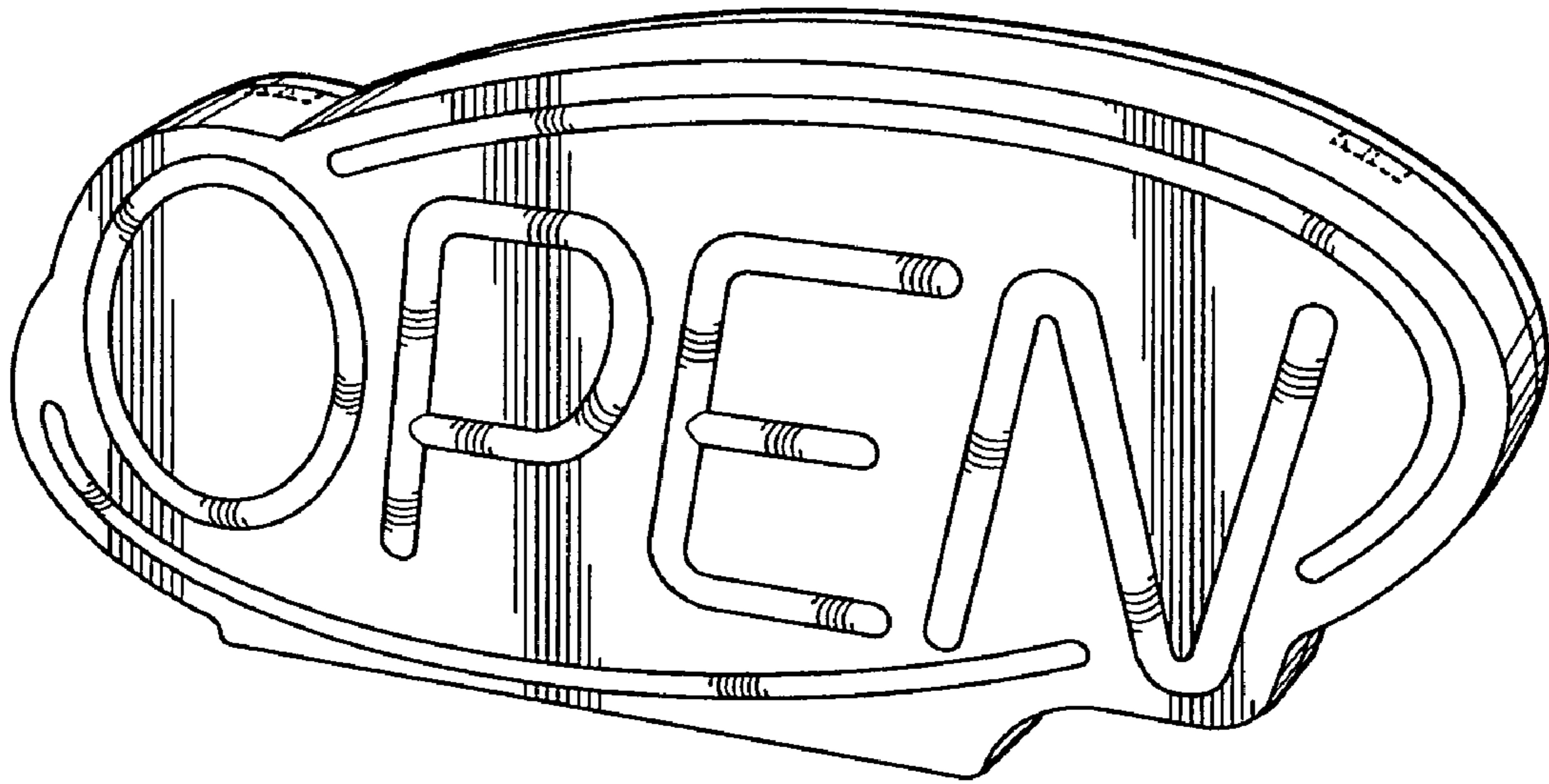


FIG. 1

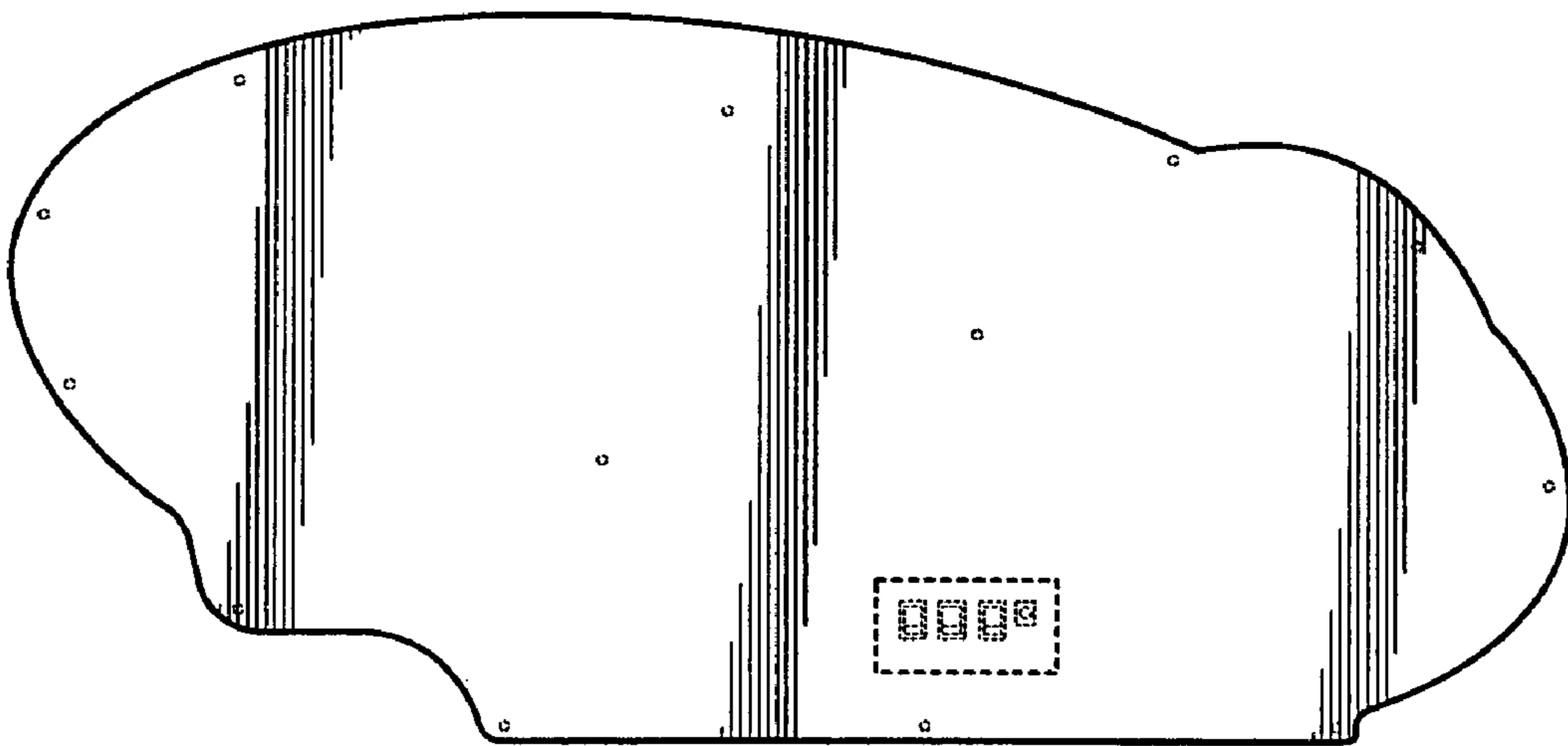


FIG. 7



FIG. 3



FIG. 6

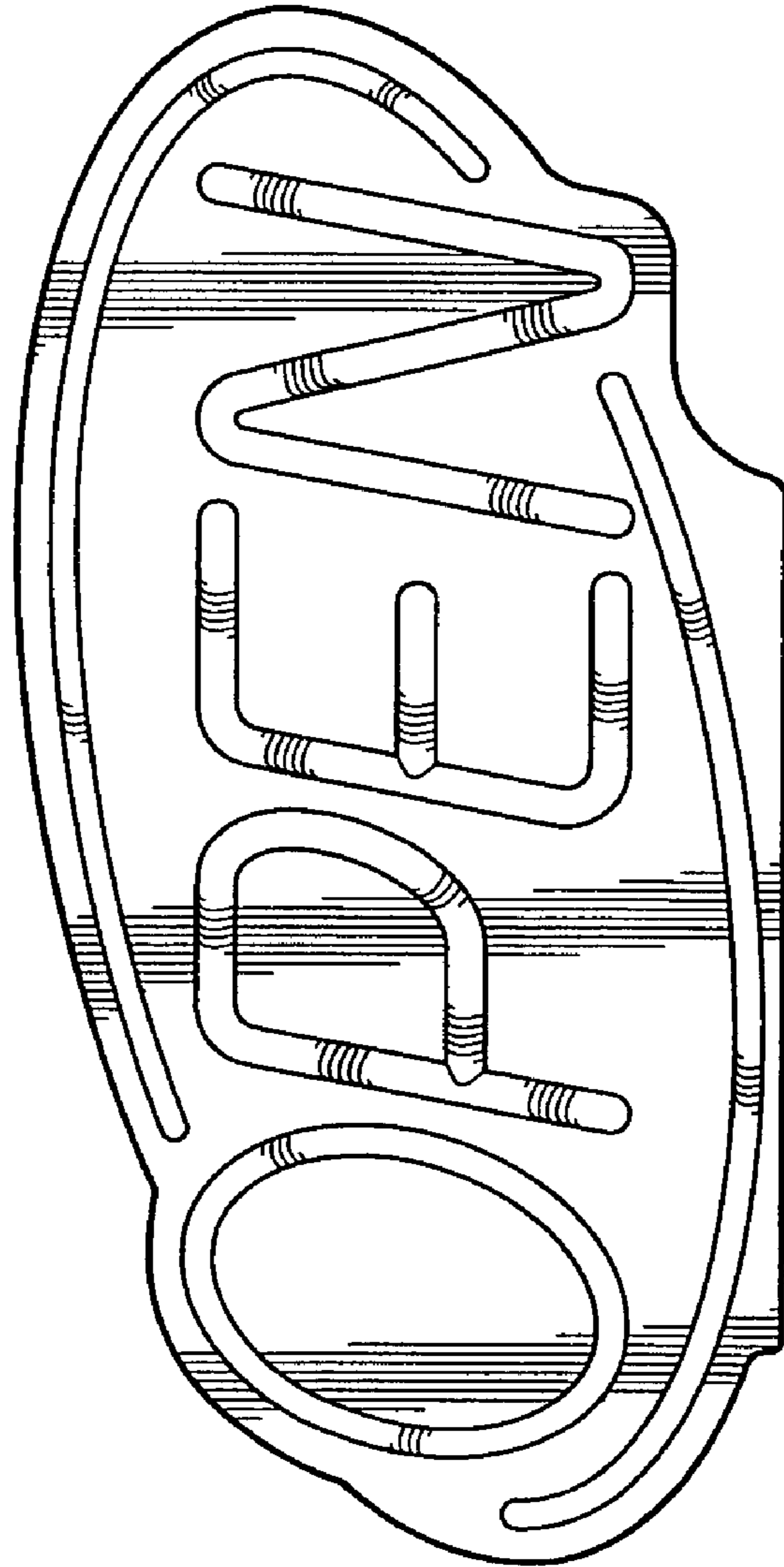


FIG. 2

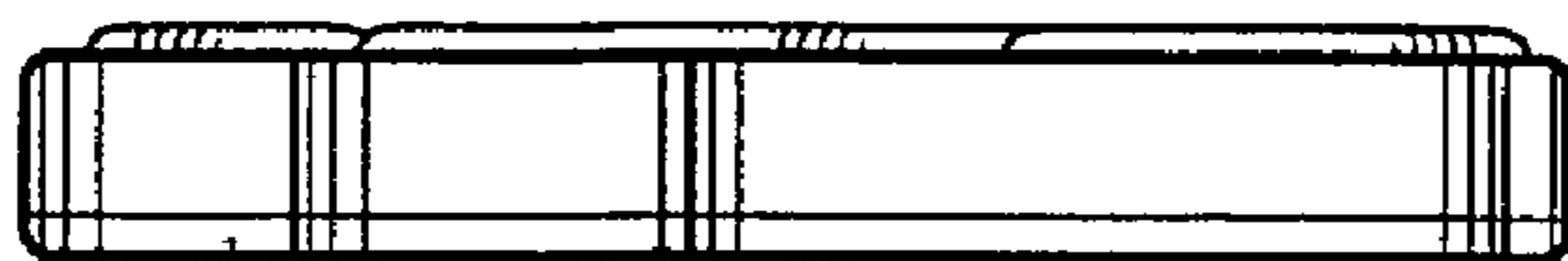


FIG. 5



FIG. 4