



US00D545906S

(12) **United States Design Patent**
Wood

(10) **Patent No.:** **US D545,906 S**

(45) **Date of Patent:** **** Jul. 3, 2007**

(54) **MAGNETIC HOLDER**

(75) Inventor: **George W. Wood**, Minneapolis, MN
(US)

(73) Assignee: **Locker Mate Corporation**,
Minneapolis, MN (US)

(**) Term: **14 Years**

(21) Appl. No.: **29/225,135**

(22) Filed: **Mar. 11, 2005**

(51) **LOC (8) Cl.** **19-02**

(52) **U.S. Cl.** **D19/90; D13/183**

(58) **Field of Classification Search** D13/183;
D18/15; D19/65, 86, 90, 91, 99, 100; D21/404;
24/67.9, 303; 40/600, 621; 206/818; 211/DIG. 1;
248/206.5, 309.4, 467

See application file for complete search history.

(56) **References Cited**

U.S. PATENT DOCUMENTS

3,502,223 A * 3/1970 Bey 211/69.6

4,830,321 A 5/1989 Irie
D357,399 S * 4/1995 Miller D8/354
D373,303 S * 9/1996 Bailey D8/373
2006/0137270 A1* 6/2006 Daftari et al. 52/250

* cited by examiner

Primary Examiner—Elizabeth A. Albert

(74) *Attorney, Agent, or Firm*—Wood, Phillips, Katz, Clark
& Mortimer

(57) **CLAIM**

The ornamental design for a magnetic holder, as shown.

DESCRIPTION

FIG. 1 is a perspective view of a magnetic holder.
FIG. 2 is a left side elevational view of a magnetic holder.
FIG. 3 is a bottom plan view of a magnetic holder.
FIG. 4 is a top plan view of a magnetic holder; and,
FIG. 5 is a front elevational view of a magnetic holder.

1 Claim, 1 Drawing Sheet

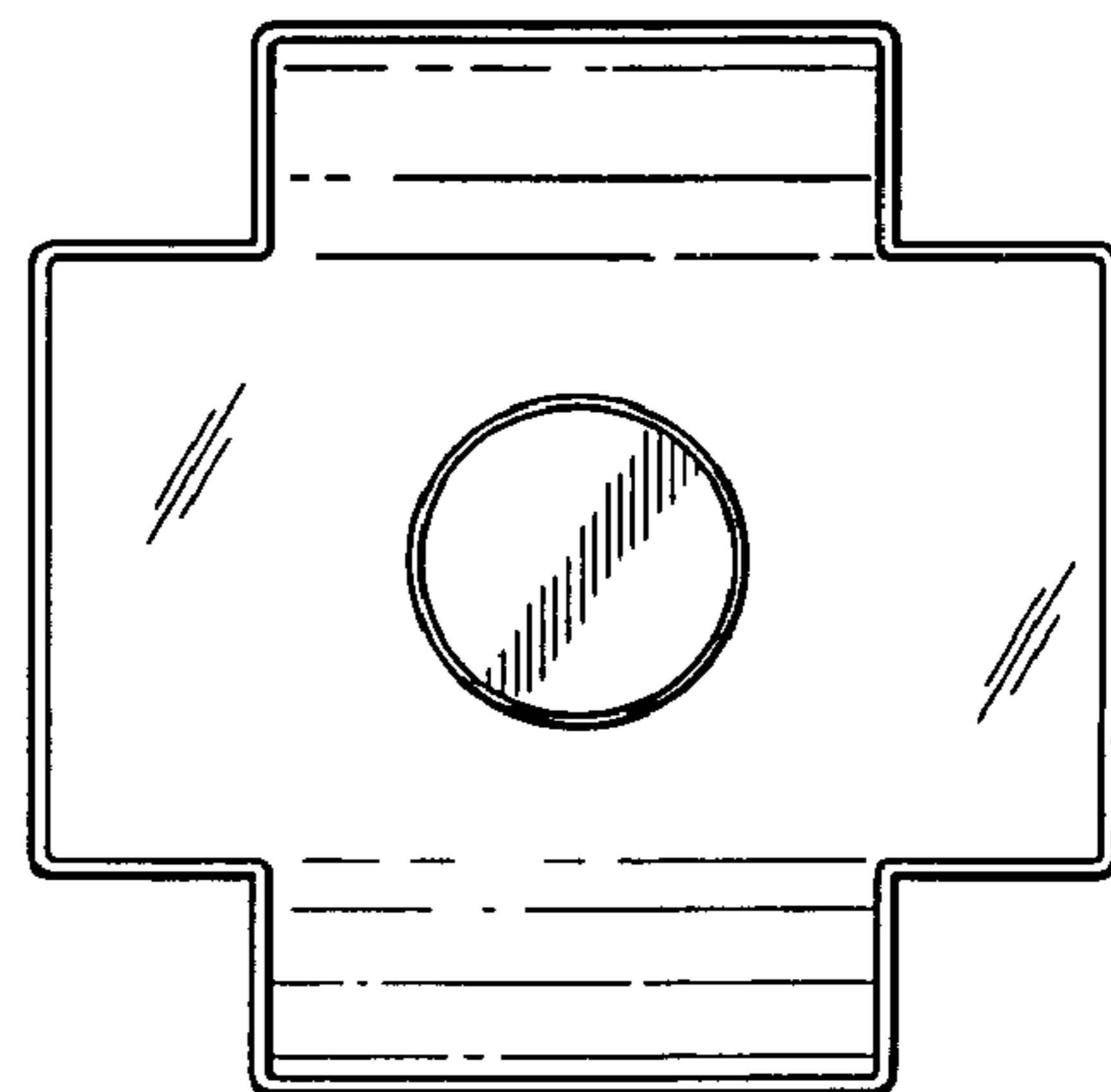
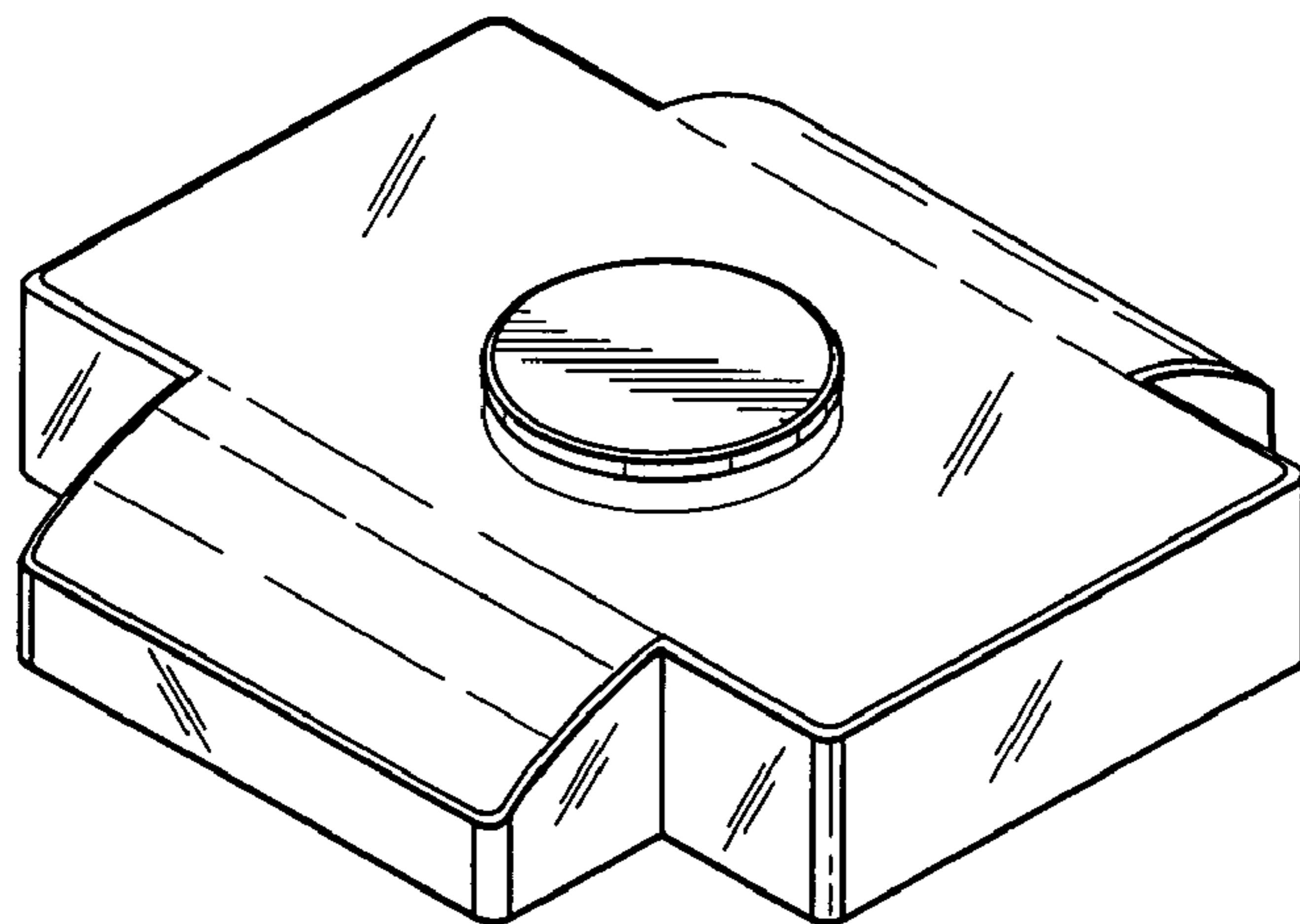


Fig. 1

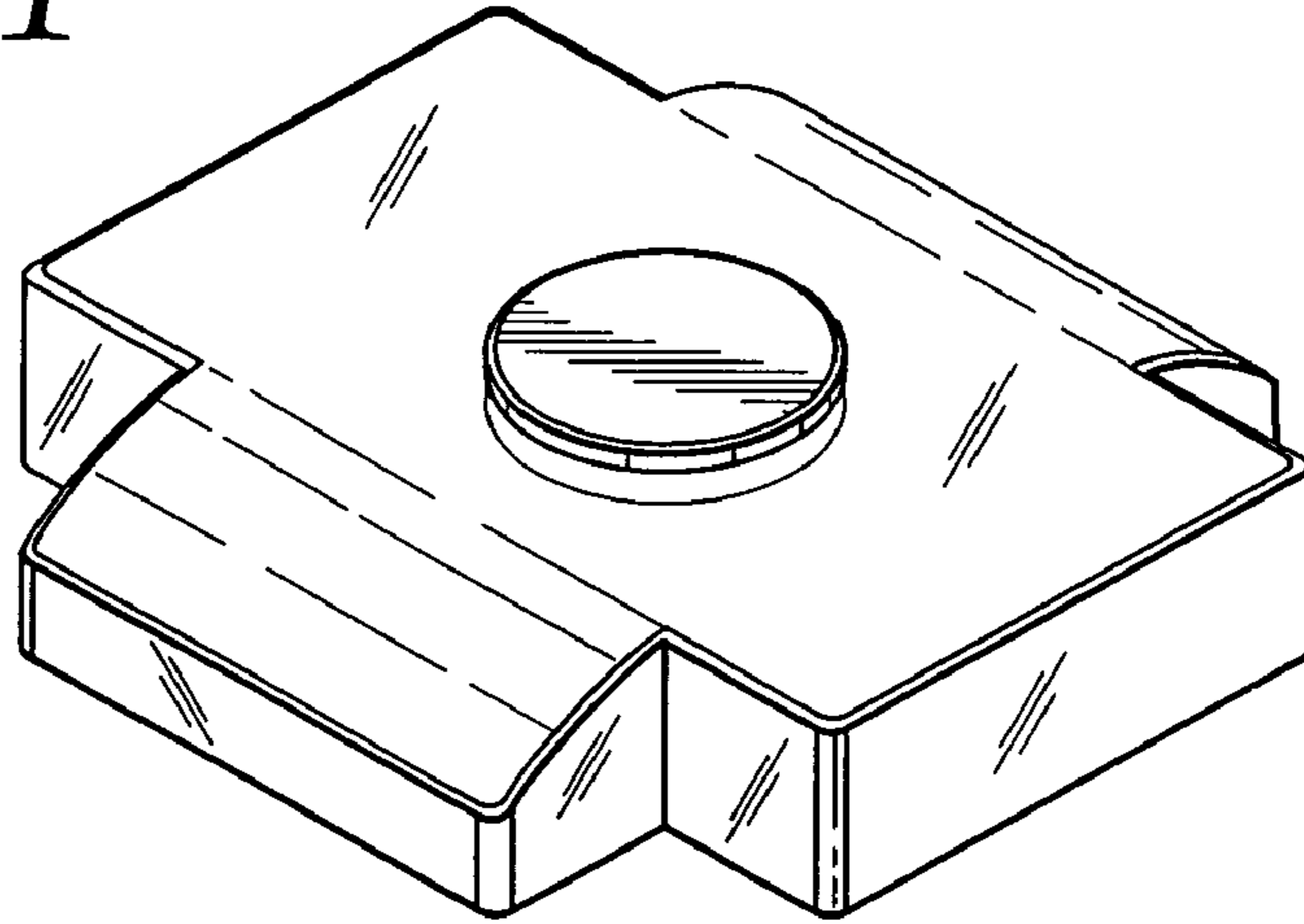


Fig. 2

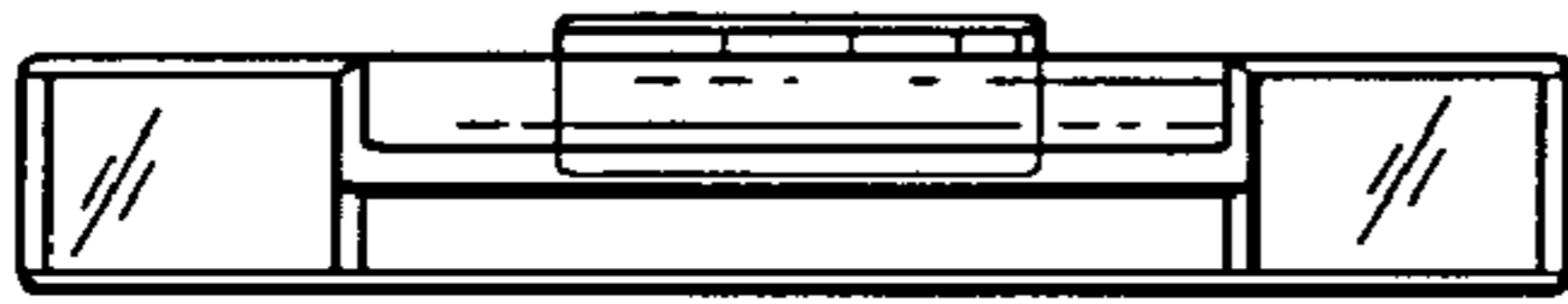


Fig. 3

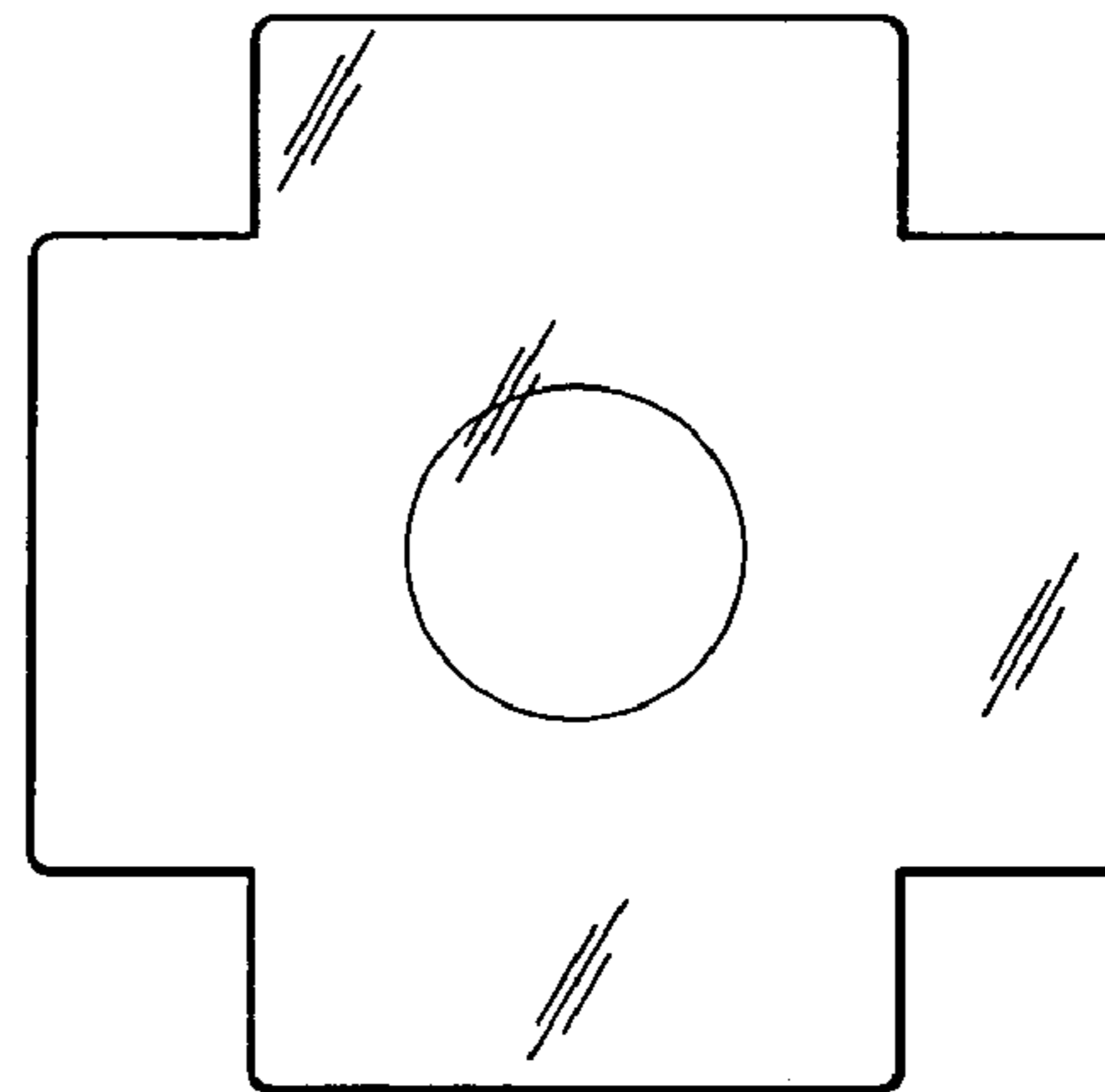


Fig. 4

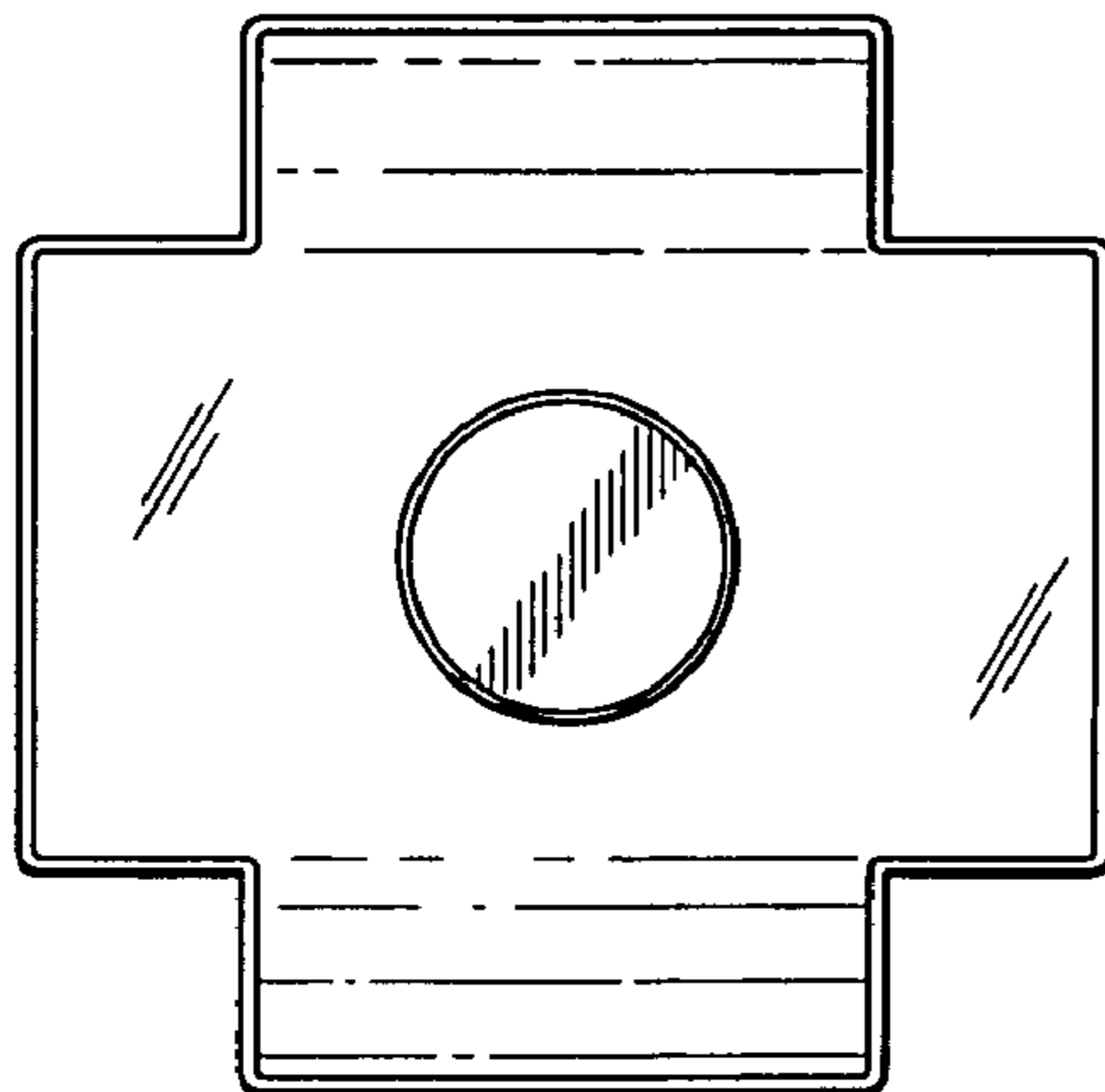


Fig. 5

