

US00D545899S

(12) **United States Design Patent**
Okutani

(10) **Patent No.:** **US D545,899 S**

(45) **Date of Patent:** **** Jul. 3, 2007**

(54) **MARKER PEN**

D493,832 S * 8/2004 Hung D19/43

(75) Inventor: **Masami Okutani**, Nara (JP)

FOREIGN PATENT DOCUMENTS

(73) Assignee: **Easthill Industry Ltd.**, Yamabe-Gun (JP)

WO DM/047050 * 2/1999

WO DM/066060 * 9/2004

(**) Term: **14 Years**

* cited by examiner

(21) Appl. No.: **29/213,699**

Primary Examiner—Charles A. Rademaker

Assistant Examiner—Carla Jobe Wright

(22) Filed: **Sep. 22, 2004**

(74) *Attorney, Agent, or Firm*—Armstrong, Kratz, Quintos, Hanson & Brooks, LLP

(51) **LOC (8) Cl.** **19-06**

(57) **CLAIM**

(52) **U.S. Cl.** **D19/43**

The ornamental design for a marker pen, as shown and described.

(58) **Field of Classification Search** D19/36,
D19/43, 46, 47, 49, 50, 51, 56; D28/5; 250/227.13;
345/179; 401/52, 202; 604/2

DESCRIPTION

See application file for complete search history.

FIG. 1 is a perspective view of the marker pen;

FIG. 2 is a left side view thereof, the right side view being a mirror image thereof;

(56) **References Cited**

U.S. PATENT DOCUMENTS

FIG. 3 is a front view thereof;

D201,412 S * 6/1965 De Groft D19/43

FIG. 4 is a bottom view thereof;

D205,330 S * 7/1966 Capezzuto D19/43

FIG. 5 is a top view thereof;

3,369,543 A * 2/1968 Ronco 604/2

FIG. 6 is a front view of the marker pen with its cap removed therefrom; and,

D287,373 S * 12/1986 Regnault D19/43

FIG. 7 is a perspective view of the marker pen with its cap removed therefrom.

D303,021 S * 8/1989 Reichmann D28/5

D307,443 S * 4/1990 Poisson et al. D19/43

5,947,624 A * 9/1999 Davignon 401/202

D470,887 S * 2/2003 Okutani D19/43

6,565,275 B2 * 5/2003 Brand et al. 401/52

6,626,600 B1 * 9/2003 Brand et al. 401/202

1 Claim, 4 Drawing Sheets

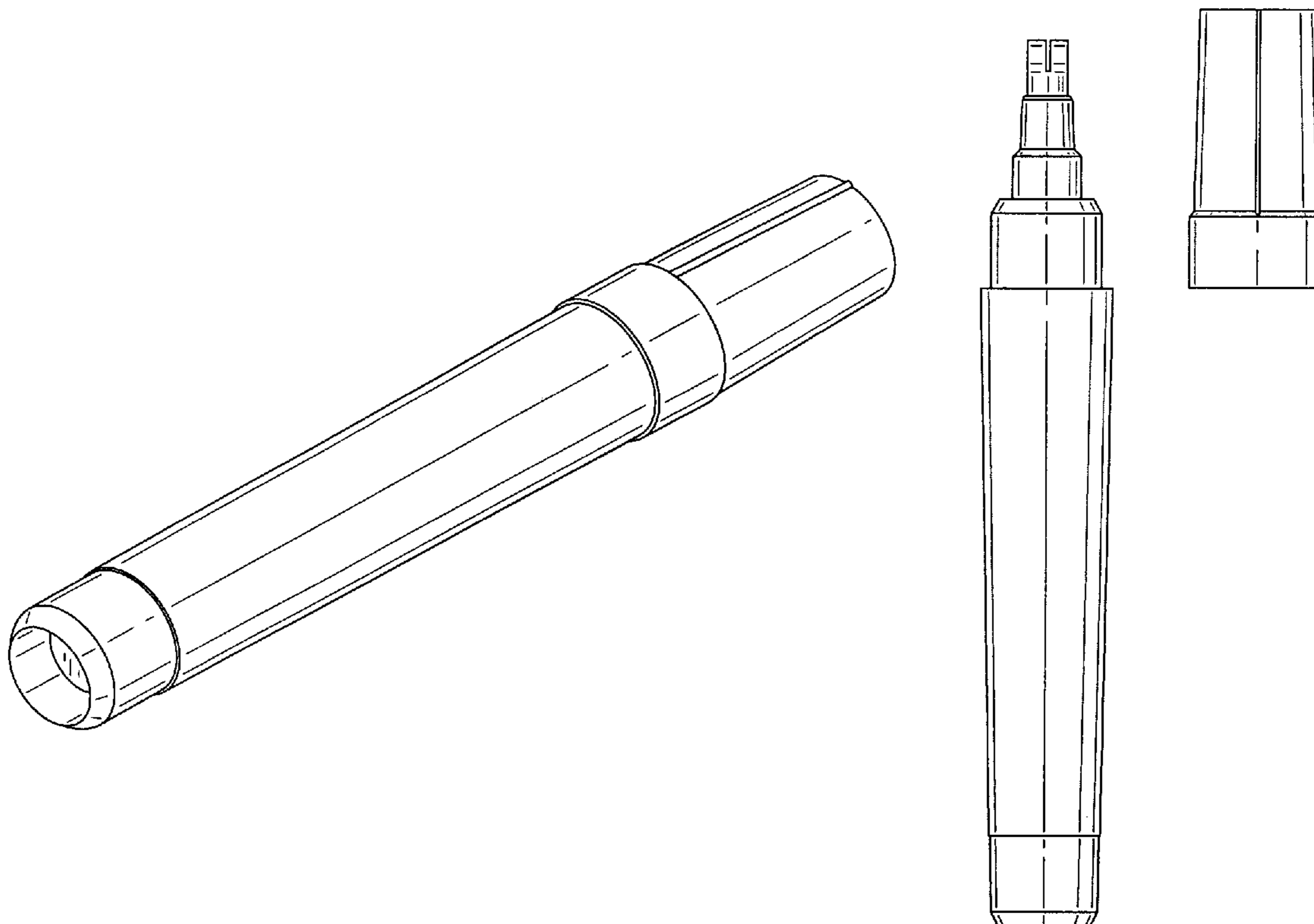


Fig. 1

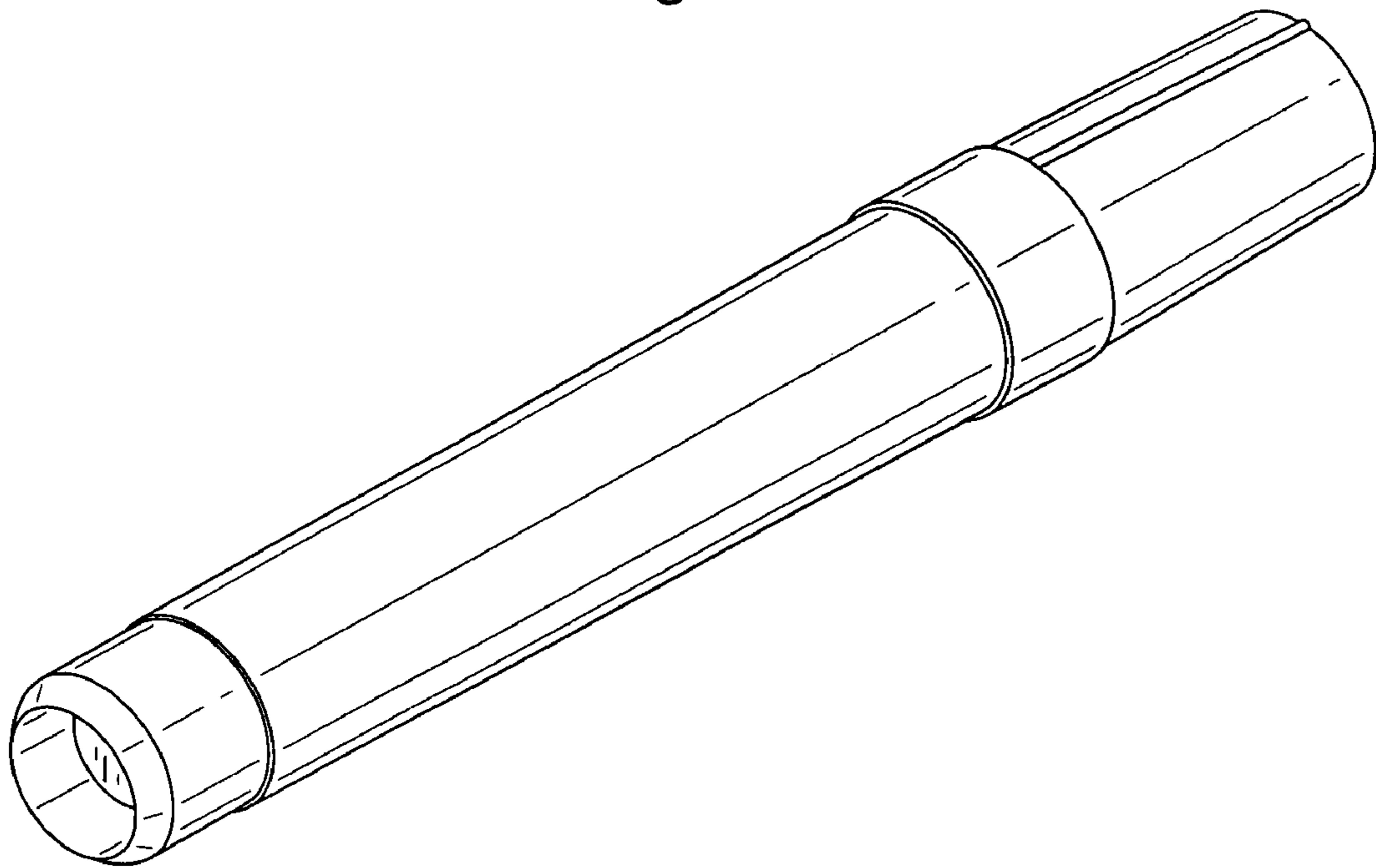


Fig.2

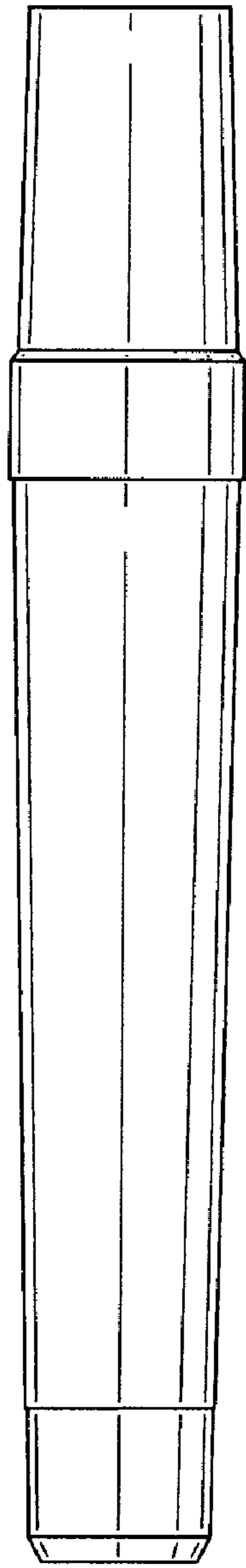


Fig.3

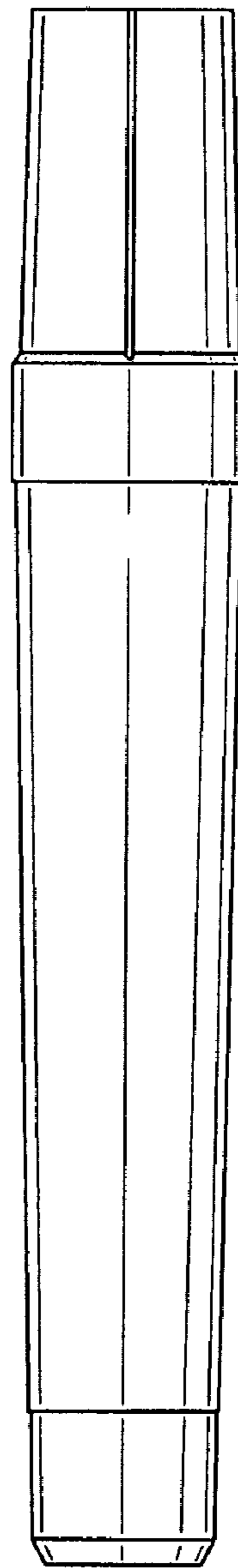


Fig.4

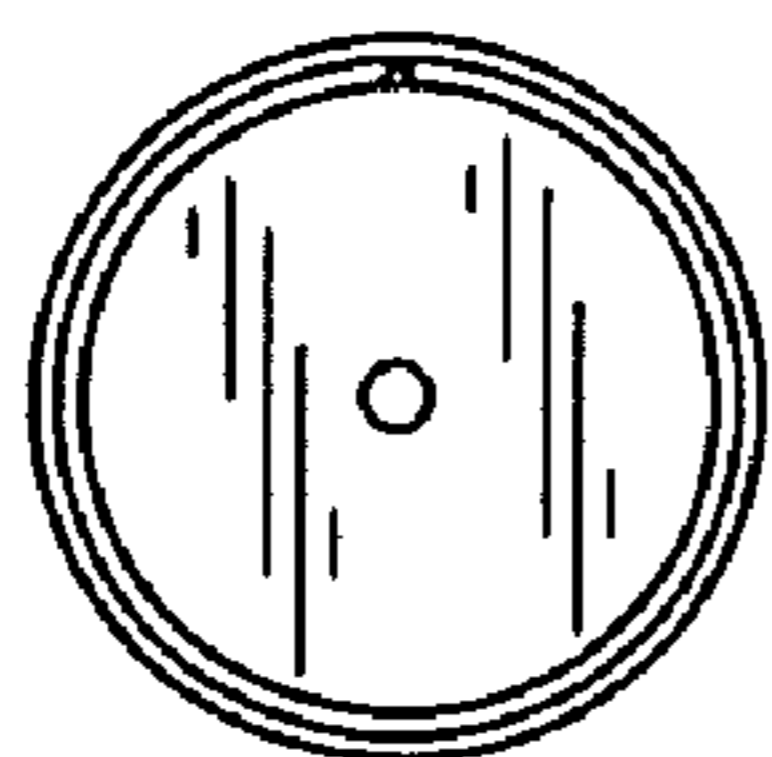


Fig.5

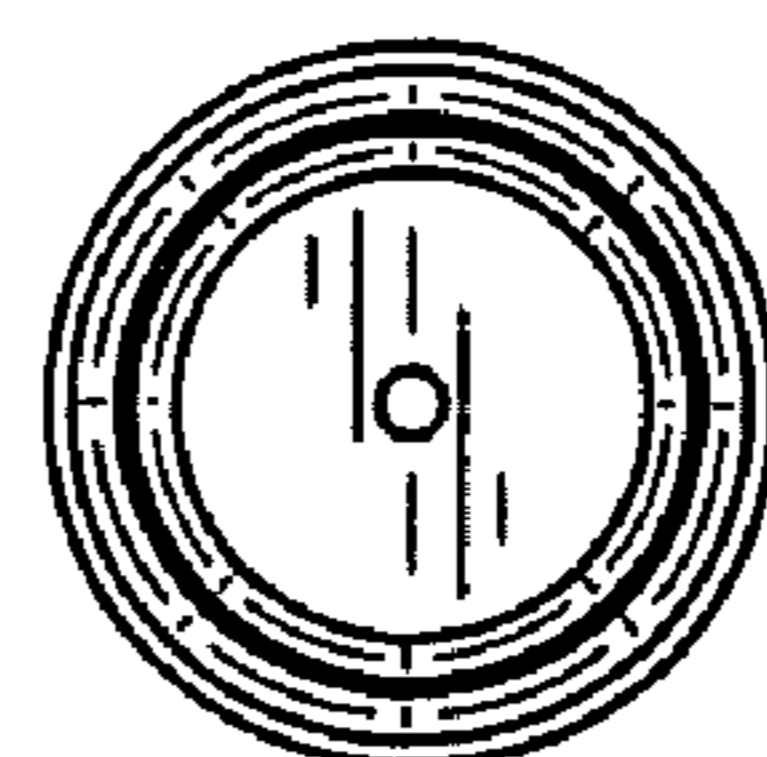


Fig.6

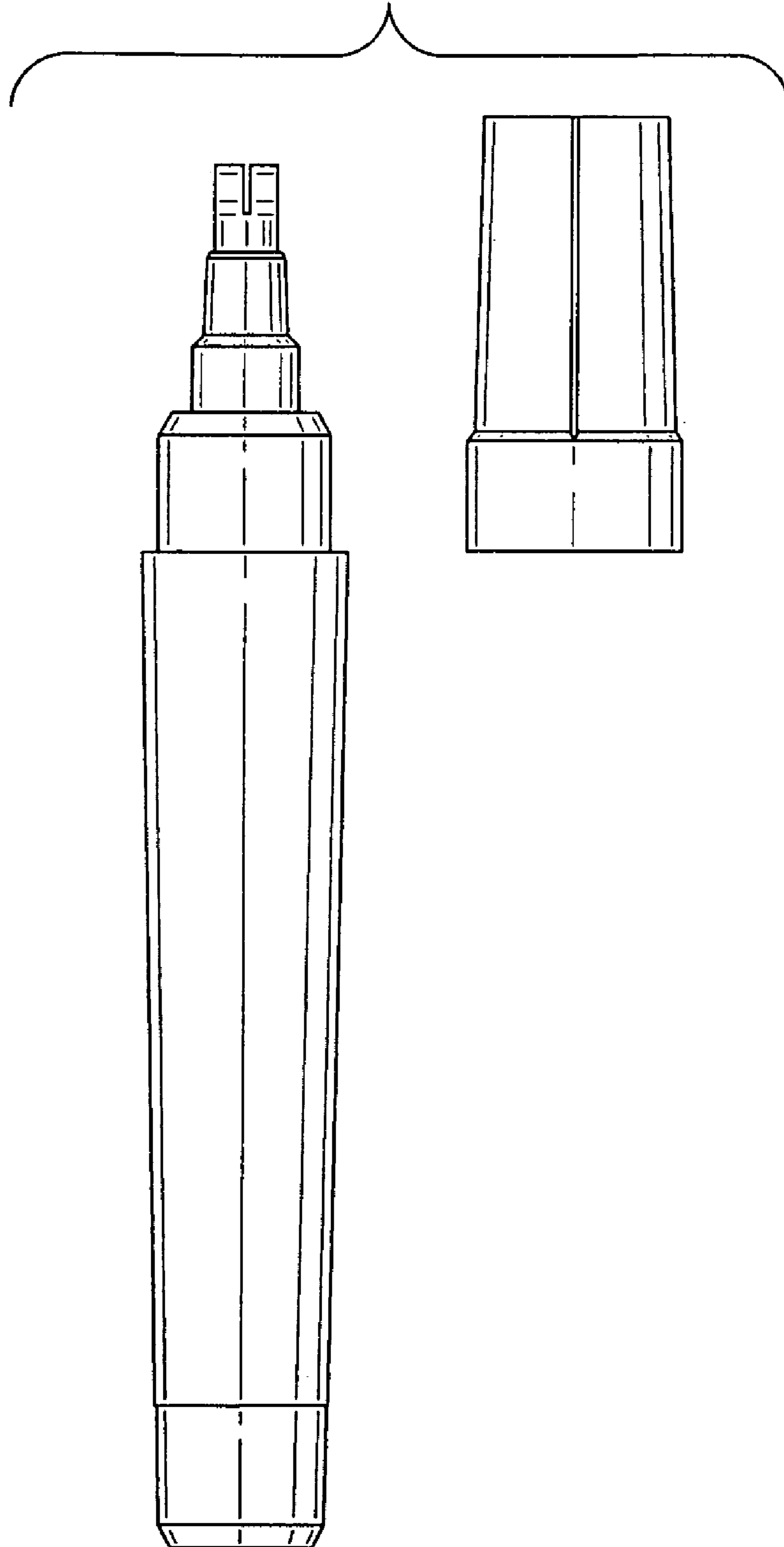


Fig. 7

