



US00D545895S

(12) **United States Design Patent**
Okutani

(10) **Patent No.:** **US D545,895 S**
(45) **Date of Patent:** **** Jul. 3, 2007**

(54) **DOUBLE ENDED STAMP-SHAPED PEN**

2006/0153626 A1* 7/2006 Mook et al. 401/29

(75) Inventor: **Masami Okutani**, Nara (JP)

FOREIGN PATENT DOCUMENTS

(73) Assignee: **Easthill Industry Ltd.**, Yamabe-Gun (JP)

WO DM/047050 * 2/1999
WO DM/066060 * 9/2004

(**) Term: **14 Years**

* cited by examiner

(21) Appl. No.: **29/213,694**

Primary Examiner—Charles A. Rademaker
Assistant Examiner—Carla Jobe Wright
(74) *Attorney, Agent, or Firm*—Armstrong, Kratz, Quintos, Hanson & Brooks, LLP

(22) Filed: **Sep. 22, 2004**

(51) **LOC (8) Cl.** **19-06**

(57) **CLAIM**

(52) **U.S. Cl.** **D19/36**

The ornamental design for a double ended stamp-shaped pen, as shown and described.

(58) **Field of Classification Search** D19/36,
D19/43, 46, 47, 49, 50, 51, 56; D28/5, 7;
250/227.13; 345/179; 401/29, 52, 202;
434/159; 604/2

DESCRIPTION

See application file for complete search history.

FIG. 1 is a perspective view of the double ended stamp-shaped pen;

(56) **References Cited**

FIG. 2 is a front view thereof;

U.S. PATENT DOCUMENTS

FIG. 3 is a right side view thereof, the left side view being a mirror image thereof;

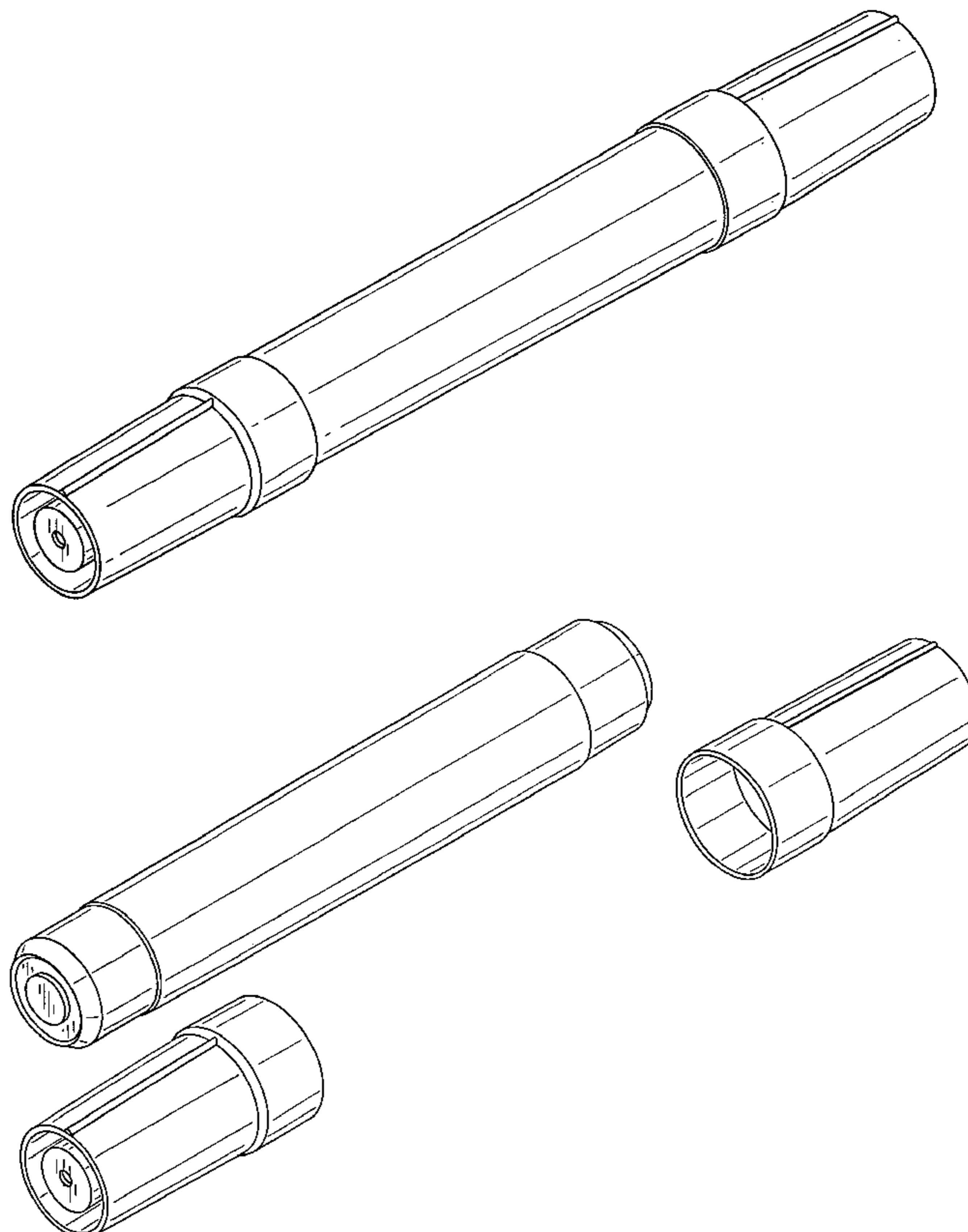
D303,021 S *	8/1989	Reichmann	D28/5
D306,316 S *	2/1990	Shintani	D19/36
D341,387 S *	11/1993	Koneval	D19/43
5,727,946 A *	3/1998	Rosen	434/159
D420,386 S *	2/2000	Clarke	D19/36
D429,845 S *	8/2000	Lang	D28/7
D429,847 S *	8/2000	Lang	D28/7
D443,641 S *	6/2001	Mader	D19/36

FIG. 4 is a top plan view thereof;

FIG. 5 is a bottom view thereof; and,

FIG. 6 is a perspective view of the double ended stamp-shaped pen with its cap removed therefrom.

1 Claim, 3 Drawing Sheets



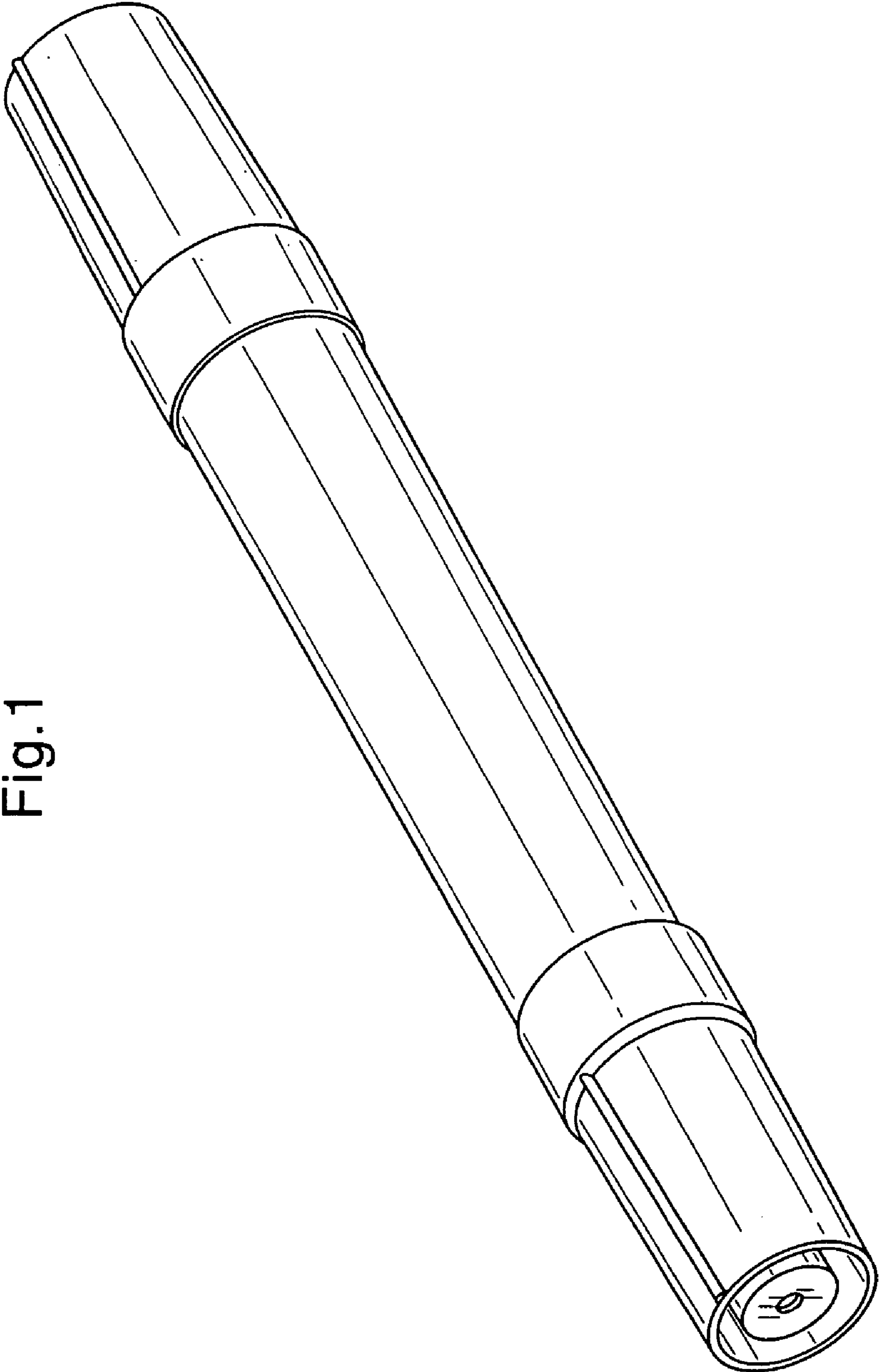


Fig. 1

Fig.2

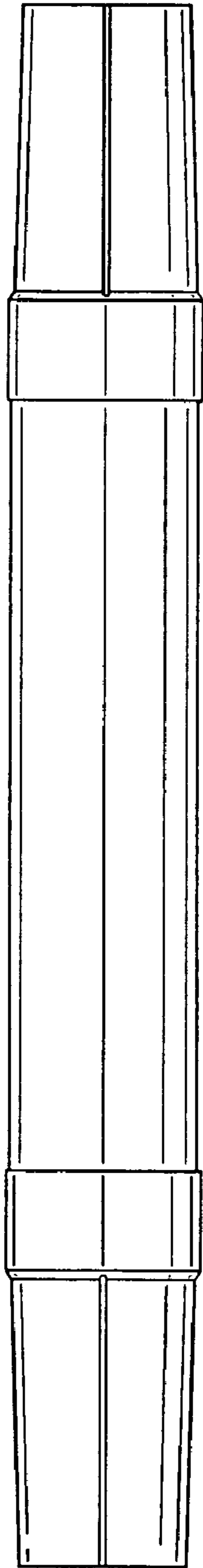


Fig.3

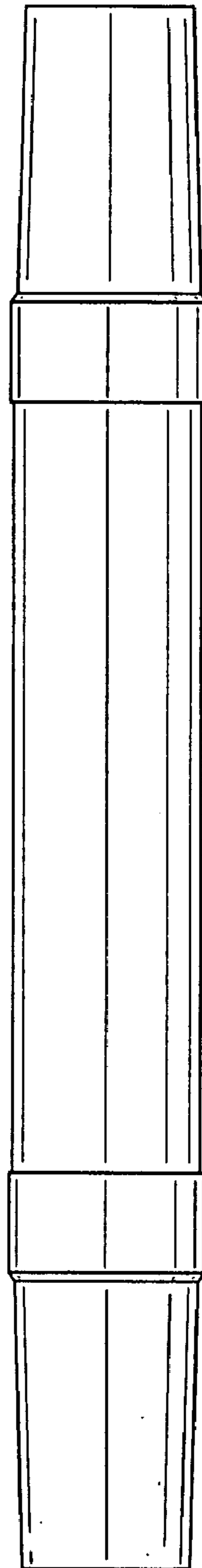


Fig.4

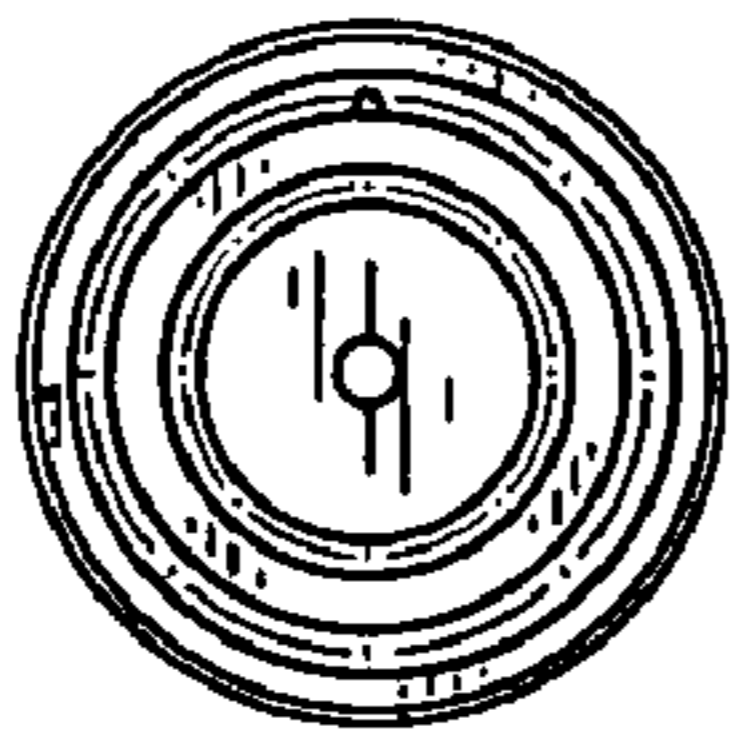
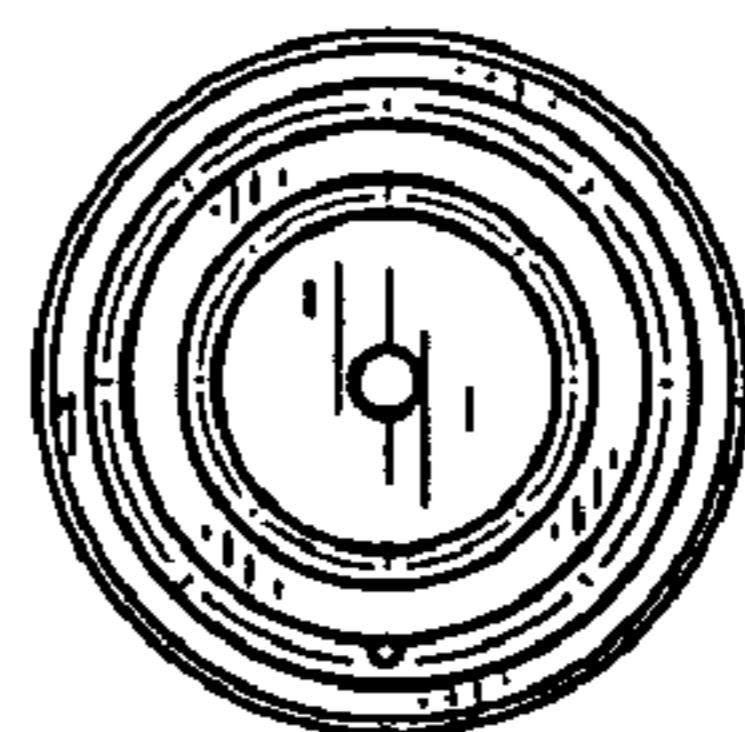


Fig.5



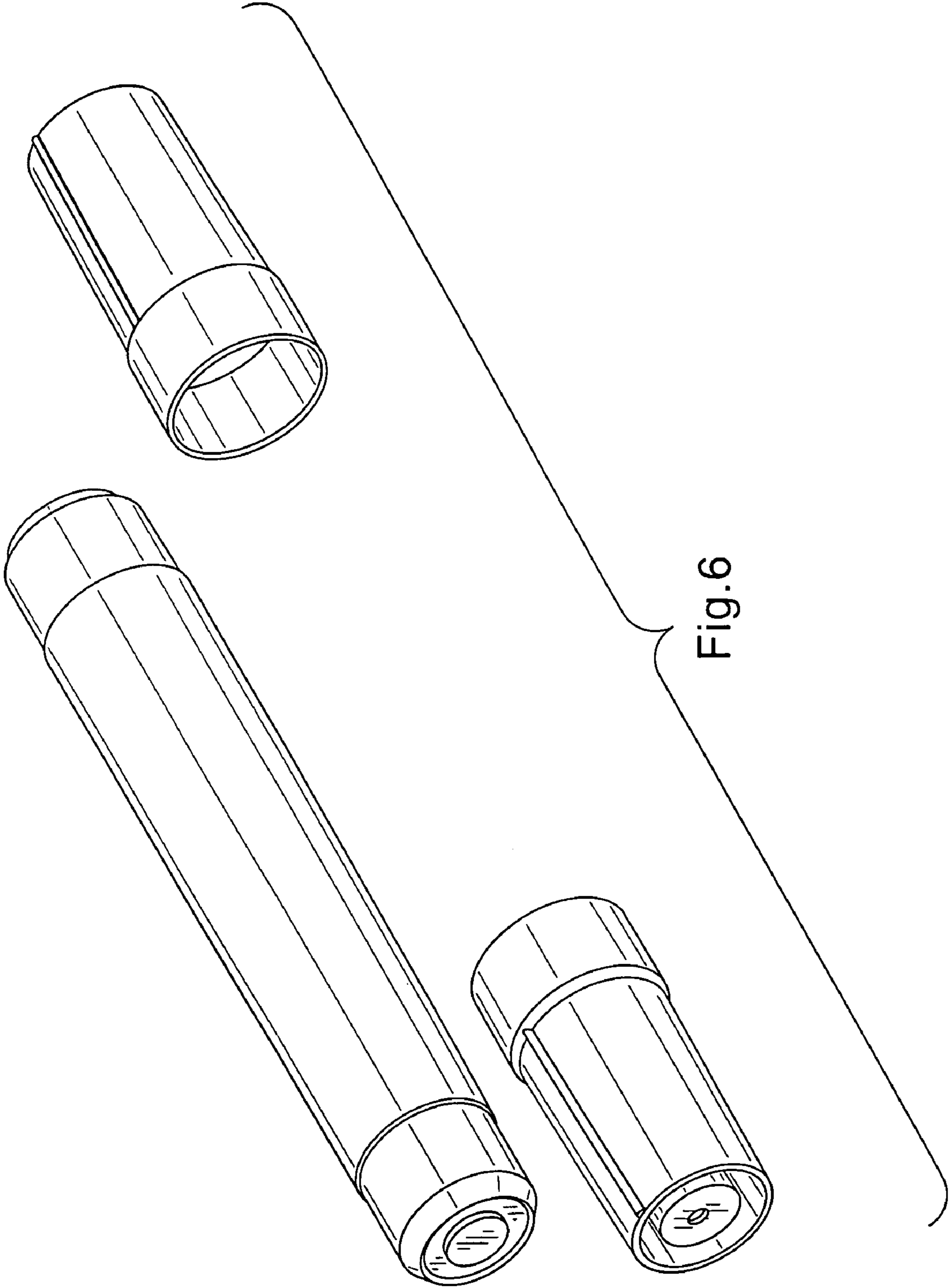


Fig. 6