

US00D545893S

(12) **United States Design Patent**
Ogawa et al.

(10) **Patent No.:** **US D545,893 S**

(45) **Date of Patent:** **** Jul. 3, 2007**

(54) **PRINTER**

(75) Inventors: **Mitsuko Ogawa**, Nagoya (JP);
Yukihiko Sato, Nagoya (JP)

(73) Assignee: **Brother Industries, Ltd.**, Nagoya (JP)

(**) Term: **14 Years**

(21) Appl. No.: **29/254,589**

(22) Filed: **Feb. 27, 2006**

(30) **Foreign Application Priority Data**

Sep. 13, 2005 (JP) 2005-026509

(51) **LOC (8) Cl.** **18-02**

(52) **U.S. Cl.** **D18/50**

(58) **Field of Classification Search** D18/14,
D18/36-39, 46-49, 50, 53, 54, 54.1, 55, 4.4,
D18/12; D14/420-425, 462-470; 399/107;
400/613, 613.1-613.4, 690.1-690.4, 691-694
See application file for complete search history.

(56) **References Cited**

U.S. PATENT DOCUMENTS

D478,119 S * 8/2003 Hwang et al. D18/55
D480,752 S * 10/2003 Tatara et al. D18/55
D504,439 S * 4/2005 Katayama D14/467

D523,071 S * 6/2006 Katayama et al. D18/50
D524,851 S * 7/2006 Wong et al. D18/55
D525,294 S * 7/2006 Katayama et al. D18/54
D529,080 S * 9/2006 Katayama D18/54
D530,738 S * 10/2006 Tay et al. D18/55
D534,579 S * 1/2007 Yamaguchi D18/55

* cited by examiner

Primary Examiner—Cathy Anne MacCormac

(74) *Attorney, Agent, or Firm*—Oliff & Berridge, PLC

(57) **CLAIM**

The ornamental design for printer, as shown and described.

DESCRIPTION

FIG. 1 is a perspective view of a printer;

FIG. 2 is a front view thereof;

FIG. 3 is a top view thereof;

FIG. 4 is a right-side view thereof;

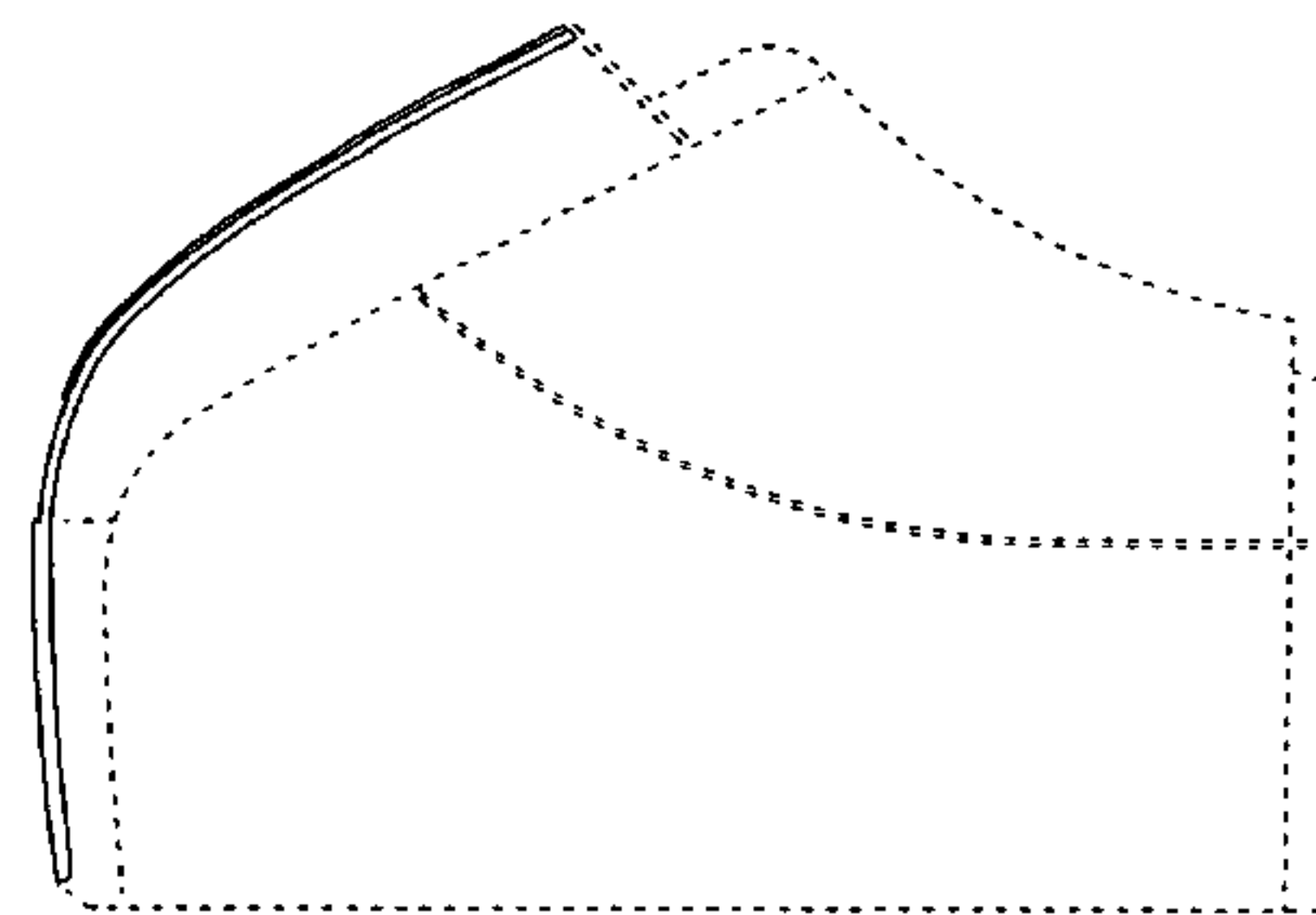
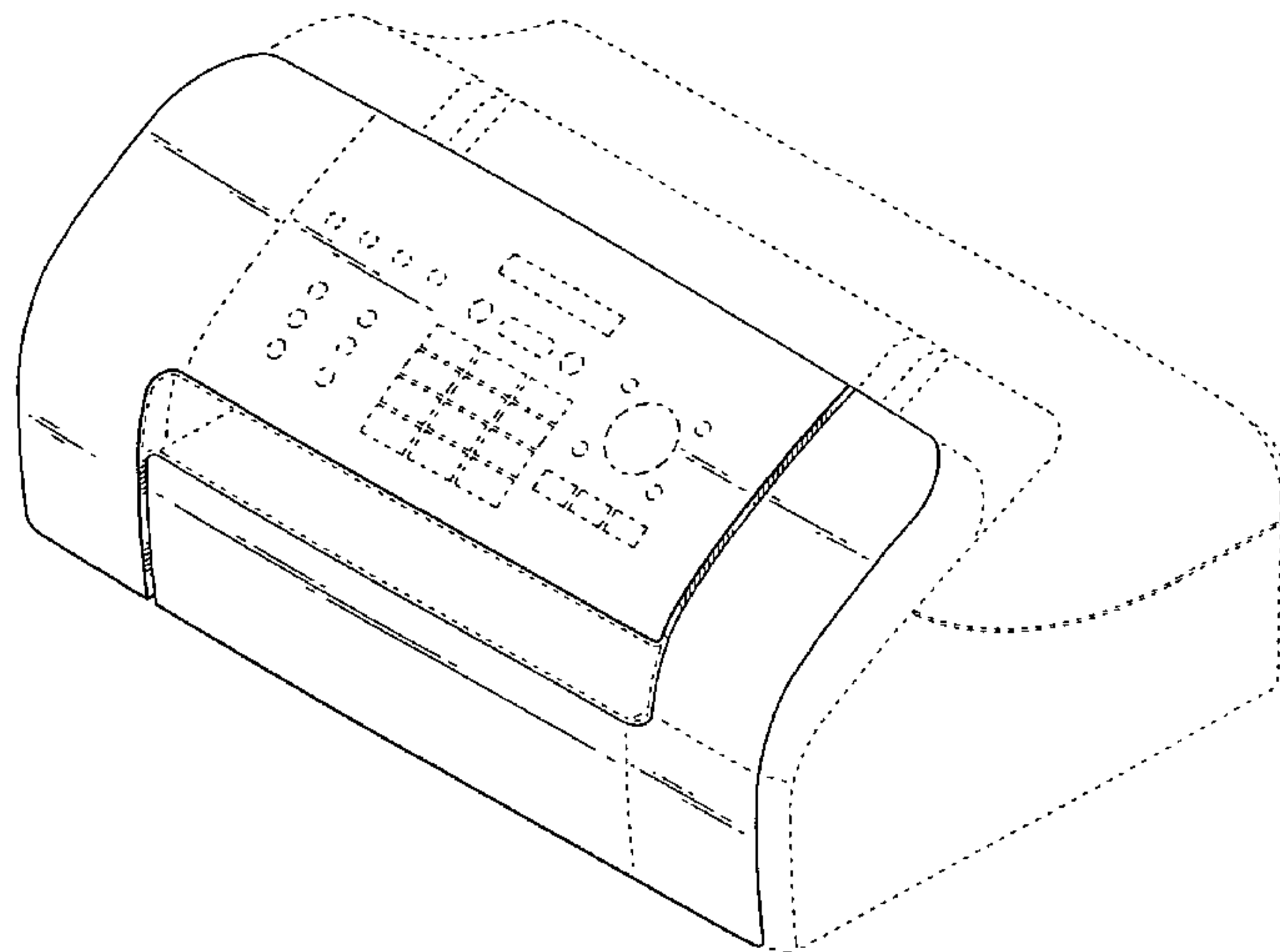
FIG. 5 is a left-side view thereof;

FIG. 6 is a rear view thereof; and,

FIG. 7 is a bottom view thereof.

The broken lines are for illustrative purposes only and form no part of the claimed design.

1 Claim, 4 Drawing Sheets



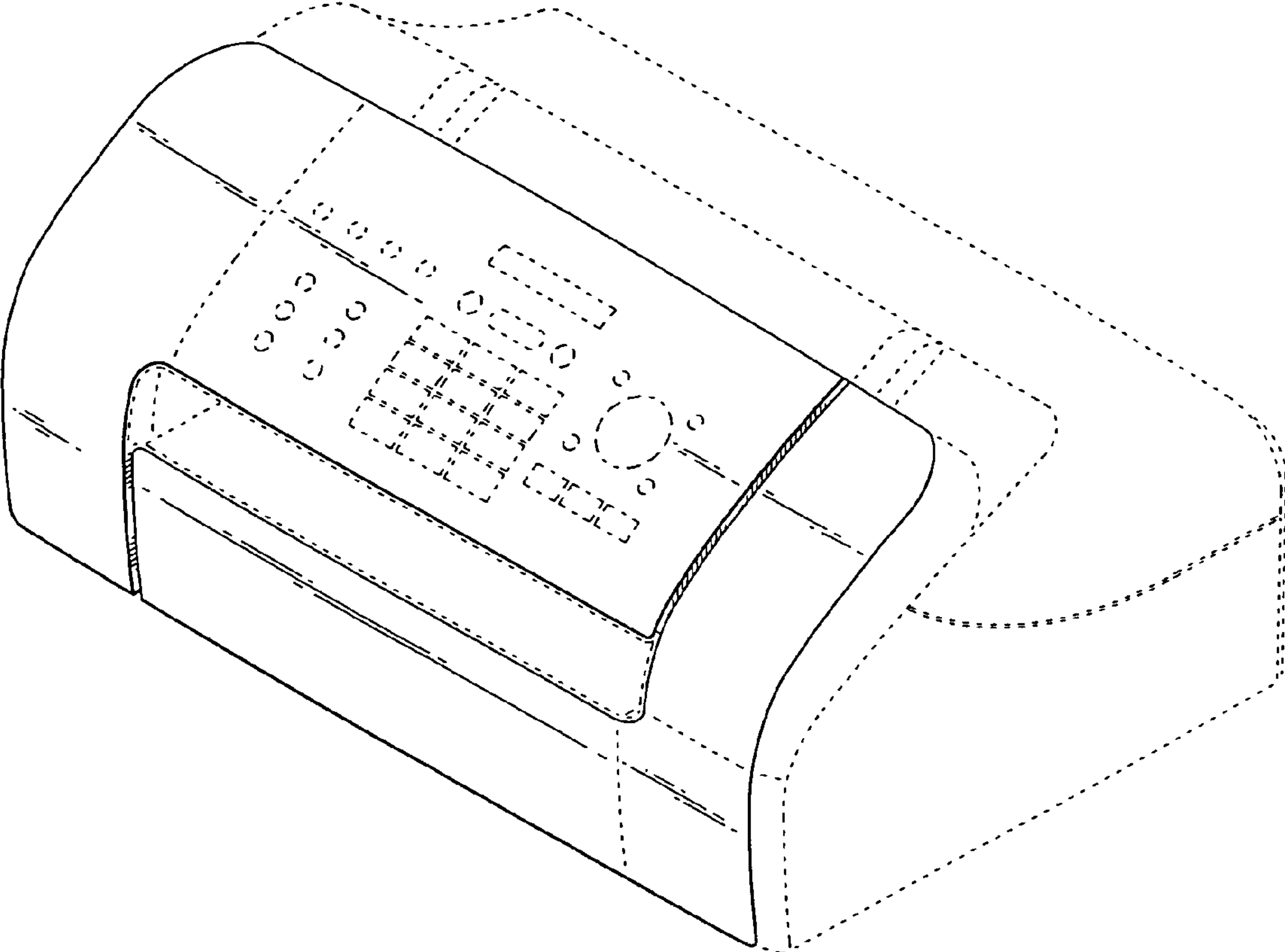


FIG. 1

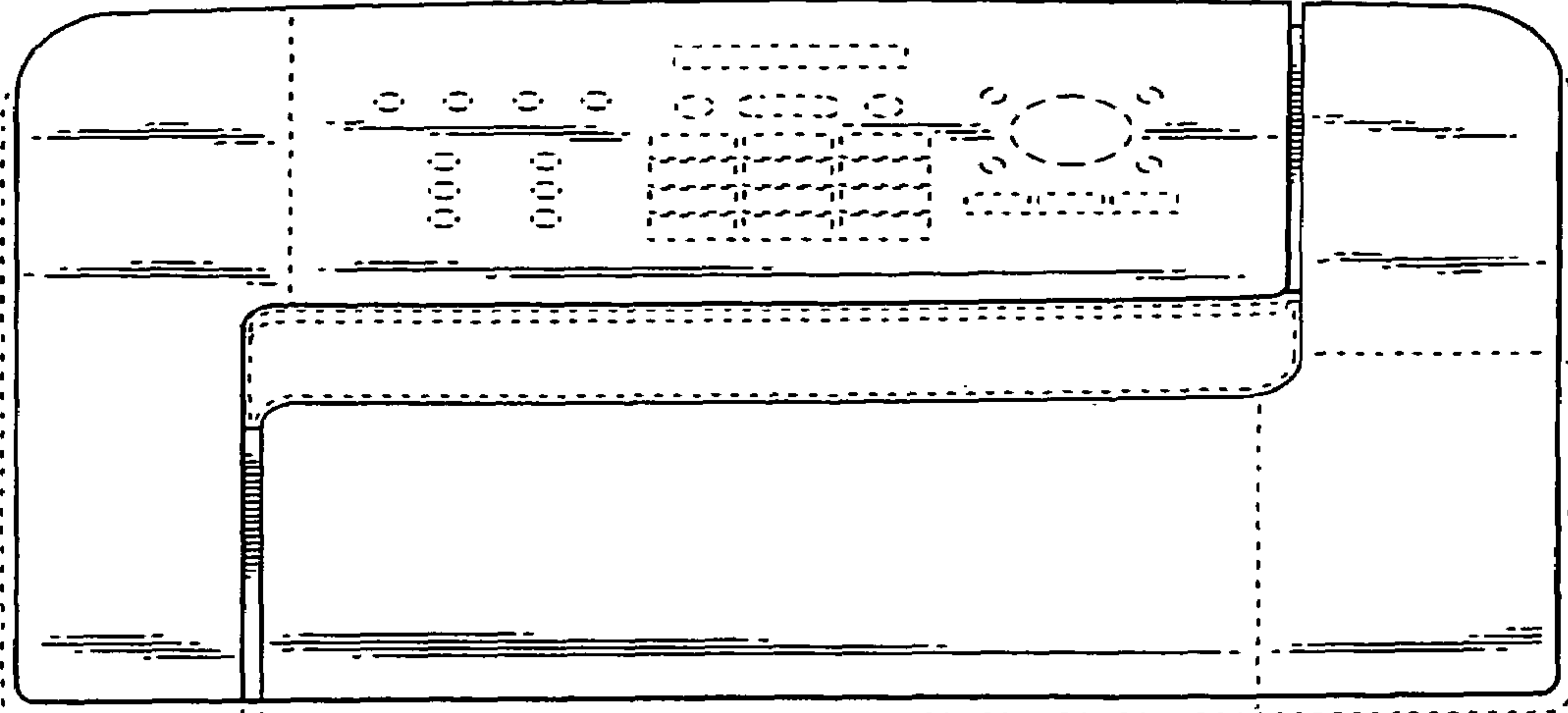


FIG. 2

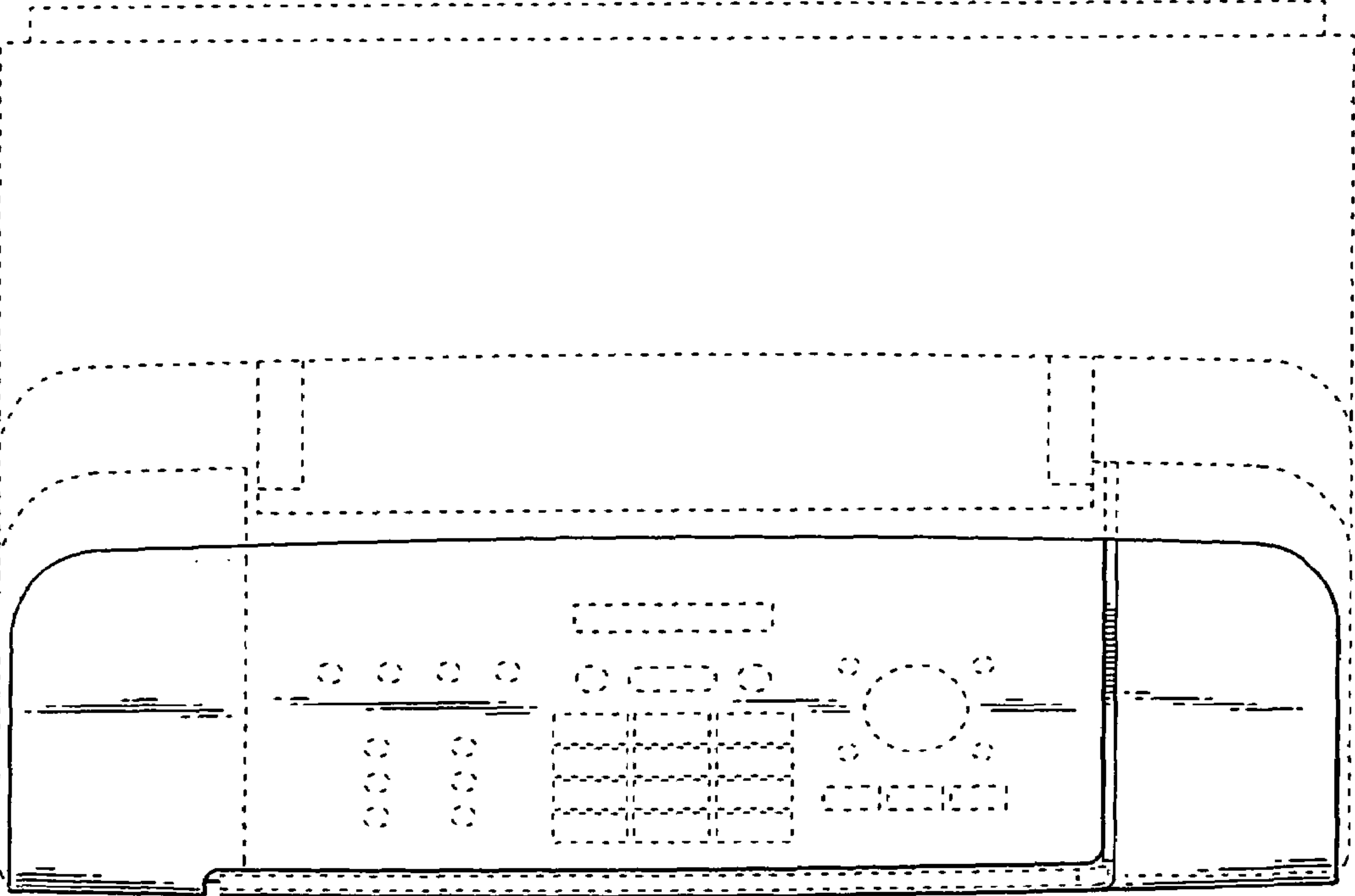


FIG. 3

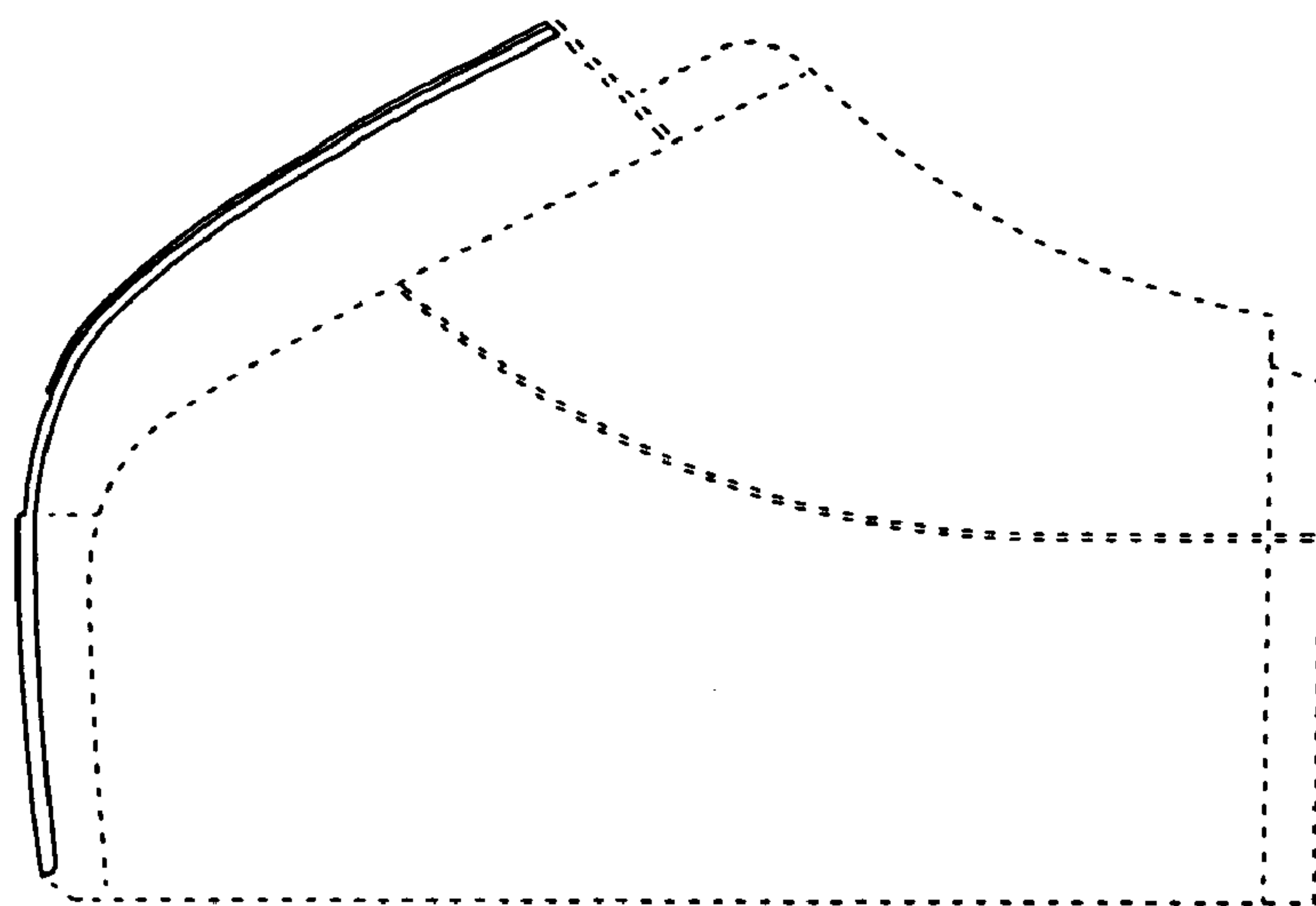


FIG. 4

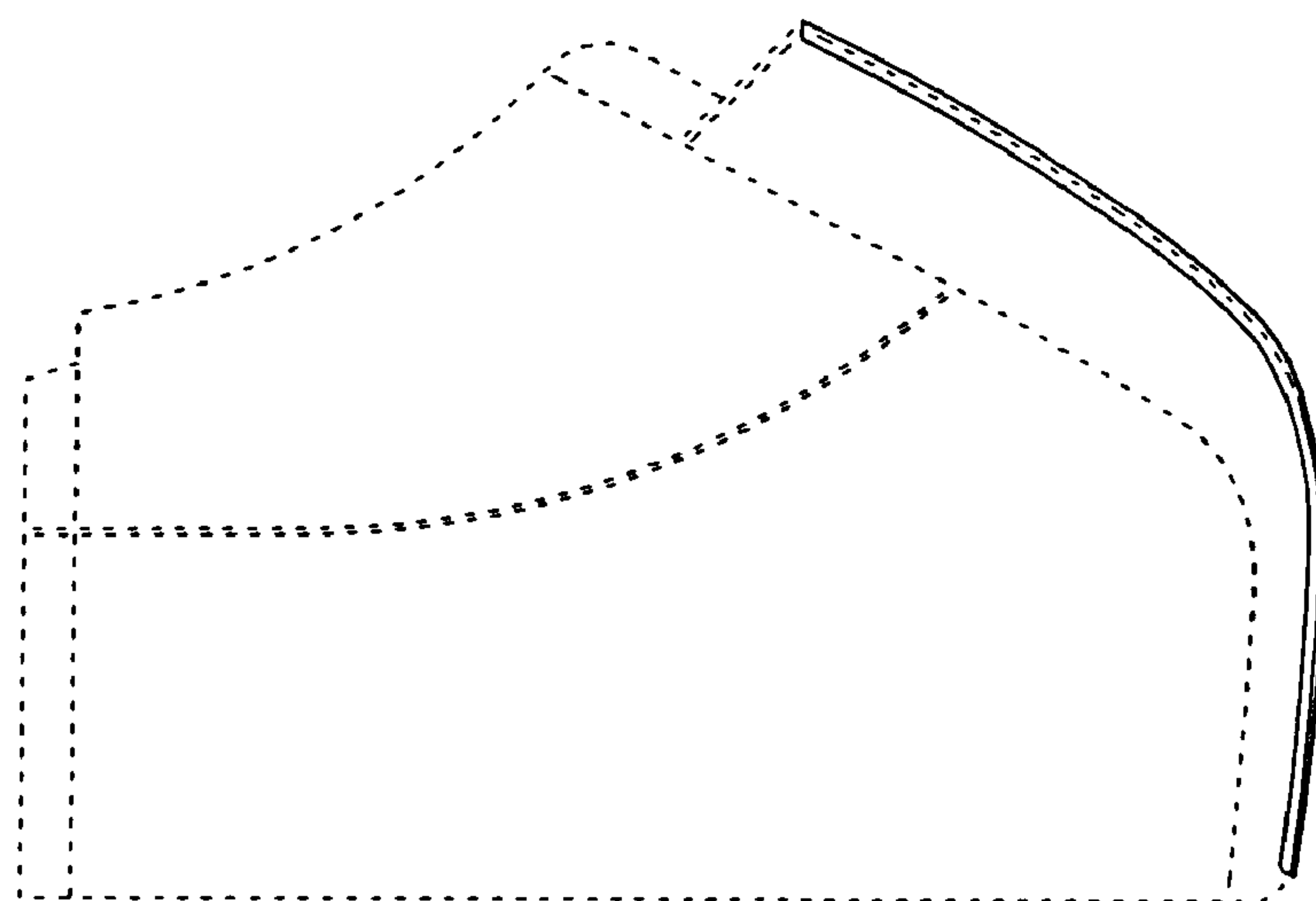


FIG. 5

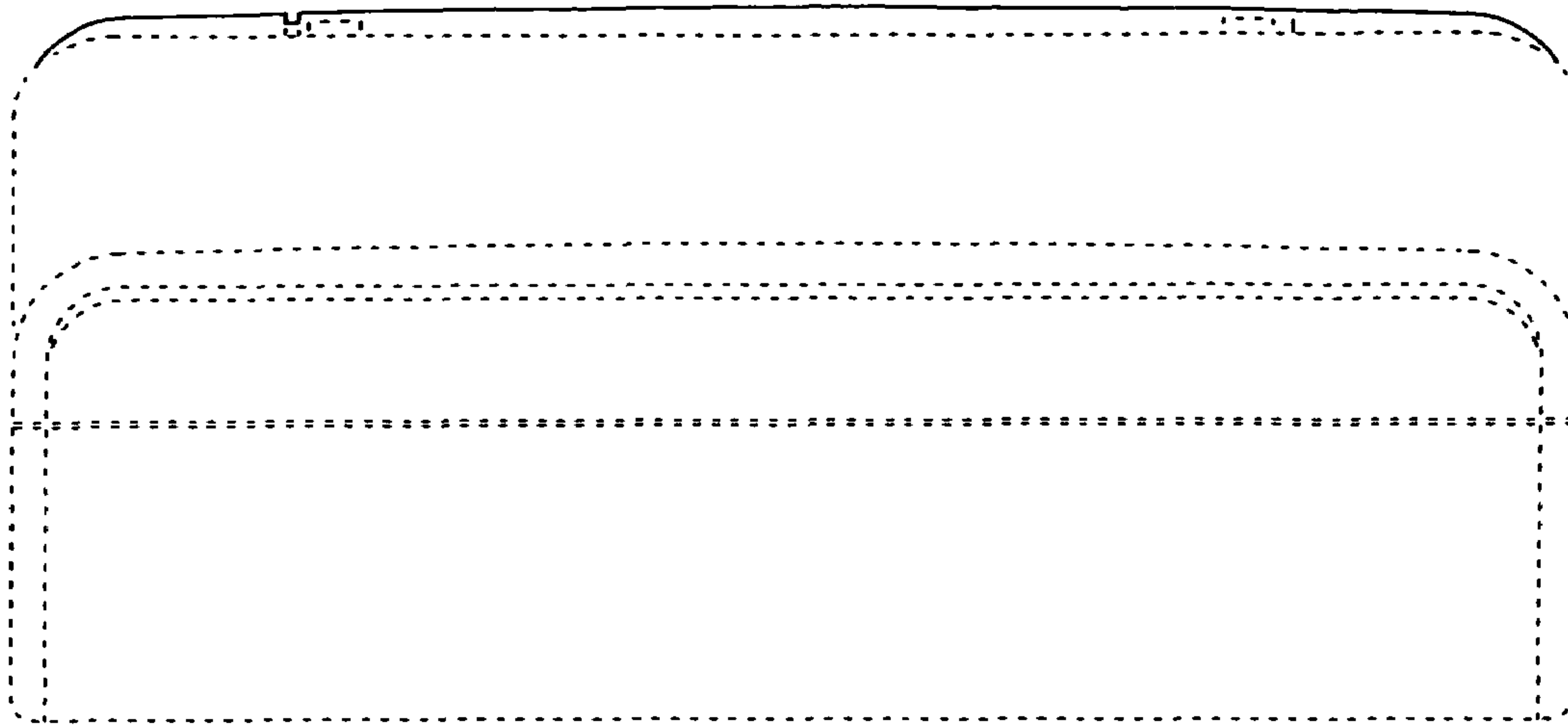


FIG. 6

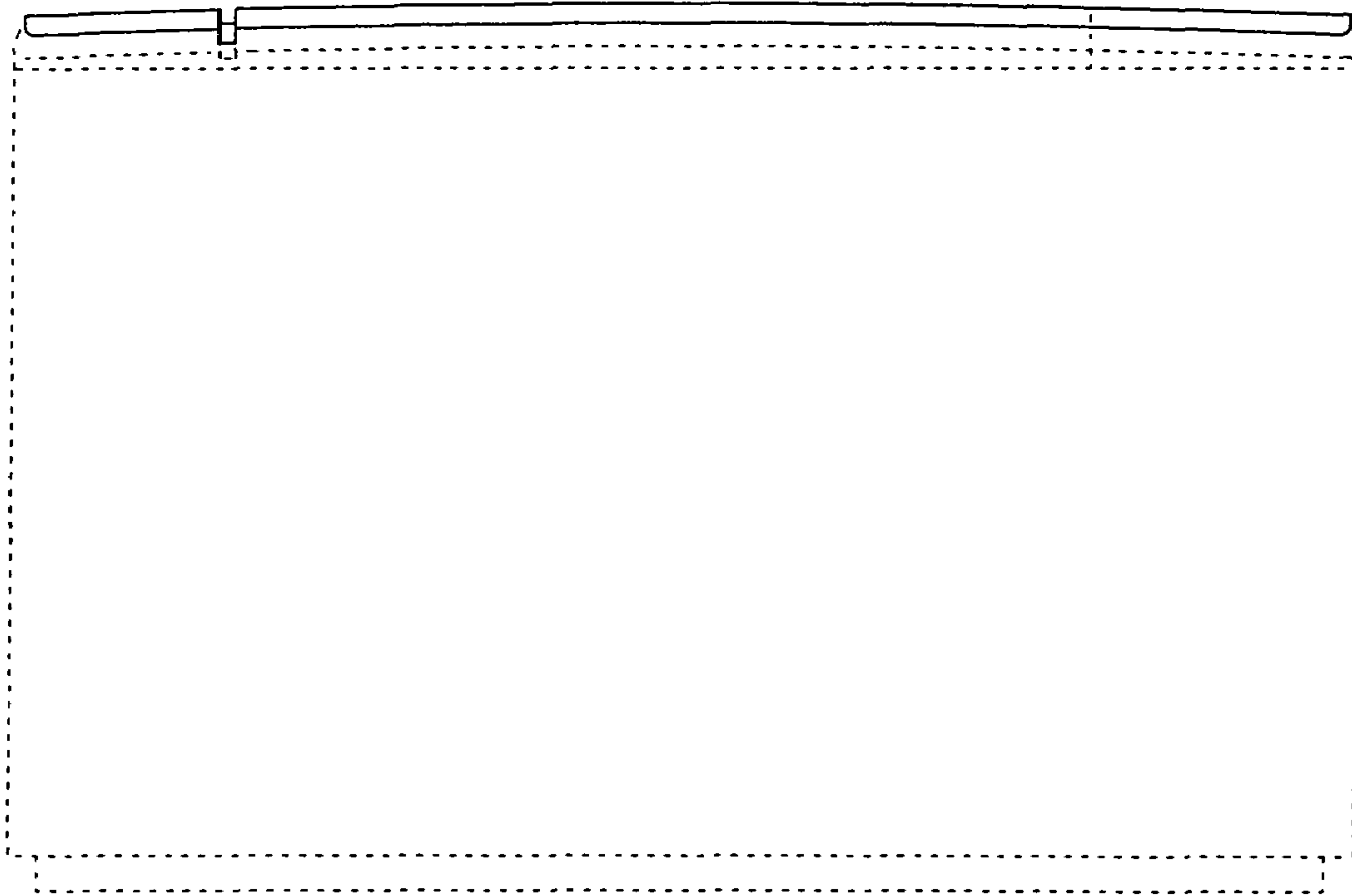


FIG. 7