

US00D545891S

(12) **United States Design Patent**  
**Ramos et al.**

(10) **Patent No.:** **US D545,891 S**

(45) **Date of Patent:** **\*\* Jul. 3, 2007**

(54) **PRINTER ACCESSORY**

(75) Inventors: **Alvaro Pardo Ramos**, Guadalajara (MX); **Carlos Raymundo Garnier Ortiz**, Guadalajara (MX)

(73) Assignee: **Hewlett-Packard Development Company, L.P.**, Houston, TX (US)

(\*\*) Term: **14 Years**

(21) Appl. No.: **29/215,714**

(22) Filed: **Oct. 22, 2004**

(51) **LOC (8) Cl.** ..... **18-99**

(52) **U.S. Cl.** ..... **D18/49**

(58) **Field of Classification Search** ..... D18/36-41, D18/45-49, 55-57; D14/462-471; 222/DIG. 1; 271/3.02, 3.03, 3.08, 145, 160, 171, 226, 271/264; 355/97, 112; 399/16, 17, 361, 399/381-383, 388, 393

See application file for complete search history.

(56) **References Cited**

**U.S. PATENT DOCUMENTS**

5,439,303	A *	8/1995	Alday	.....	D18/56
D371,380	S *	7/1996	Nelson et al.	.....	D18/36
D388,405	S *	12/1997	Lin	.....	D14/422
D409,584	S *	5/1999	Fetherolf	.....	D14/422
6,206,362	B1 *	3/2001	Tan et al.	.....	271/145

D448,771 S \* 10/2001 Fetherolf et al. .... D14/422  
D450,756 S \* 11/2001 Fetherolf et al. .... D18/55

\* cited by examiner

*Primary Examiner*—Robert M. Spear  
*Assistant Examiner*—Garth Rademaker

(57) **CLAIM**

We claim the ornamental design for a printer accessory, as shown and described.

**DESCRIPTION**

FIG. 1 is a top perspective view of our design for a printer accessory;

FIG. 2 is a top perspective view thereof, shown at an enlarged scale;

FIG. 3 is a front elevational view thereof;

FIG. 4 is a right side elevational view thereof;

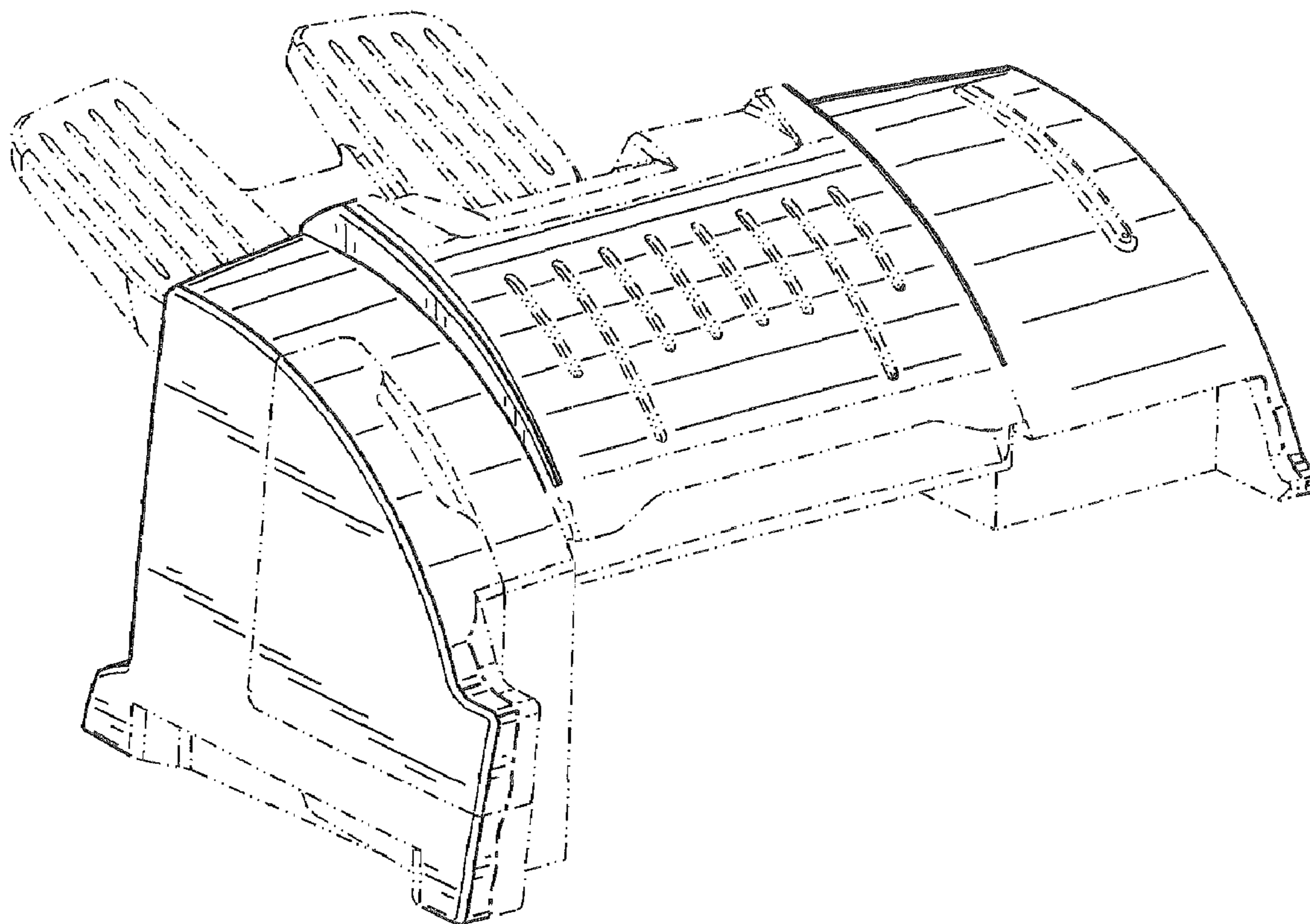
FIG. 5 is a left side elevational view thereof;

FIG. 6 is a rear elevational view thereof; and,

FIG. 7 is a top plan view thereof.

The broken lines in the drawings immediately adjacent the shaded areas represent the bounds of the claimed design while all other broken lines are directed to environment and are for illustrative purposes only; the broken lines form no part of the claimed design.

**1 Claim, 7 Drawing Sheets**



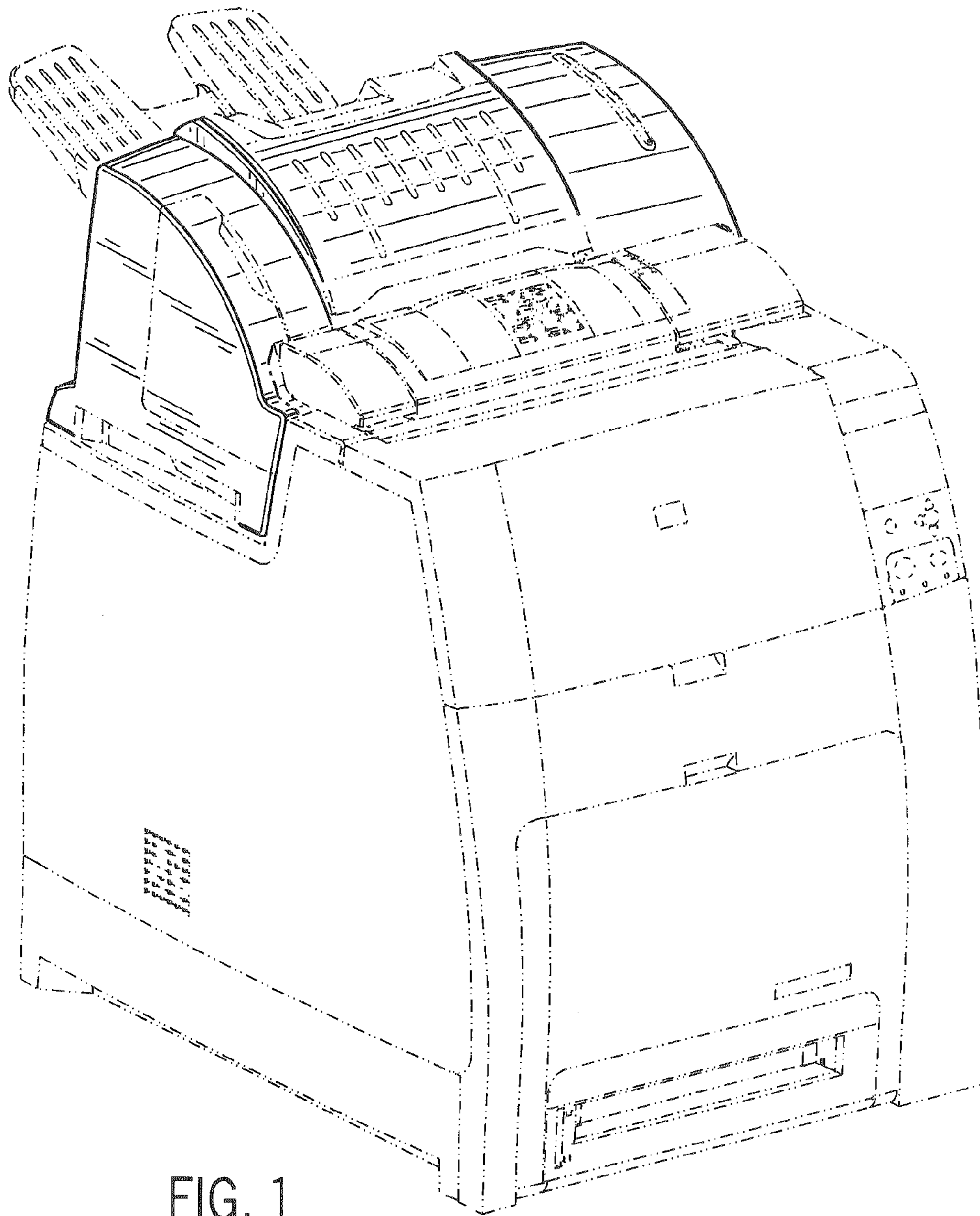


FIG. 1

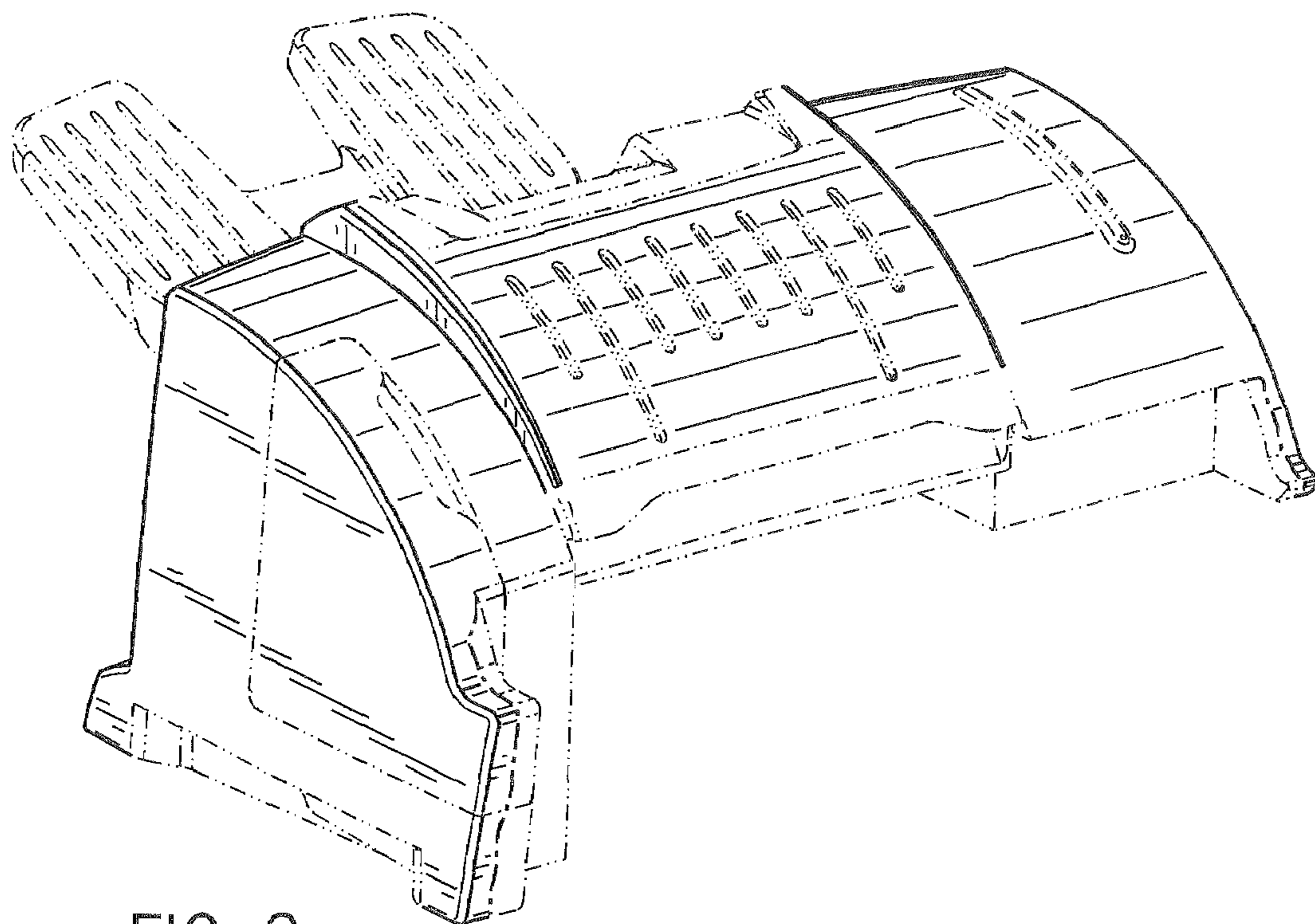


FIG. 2

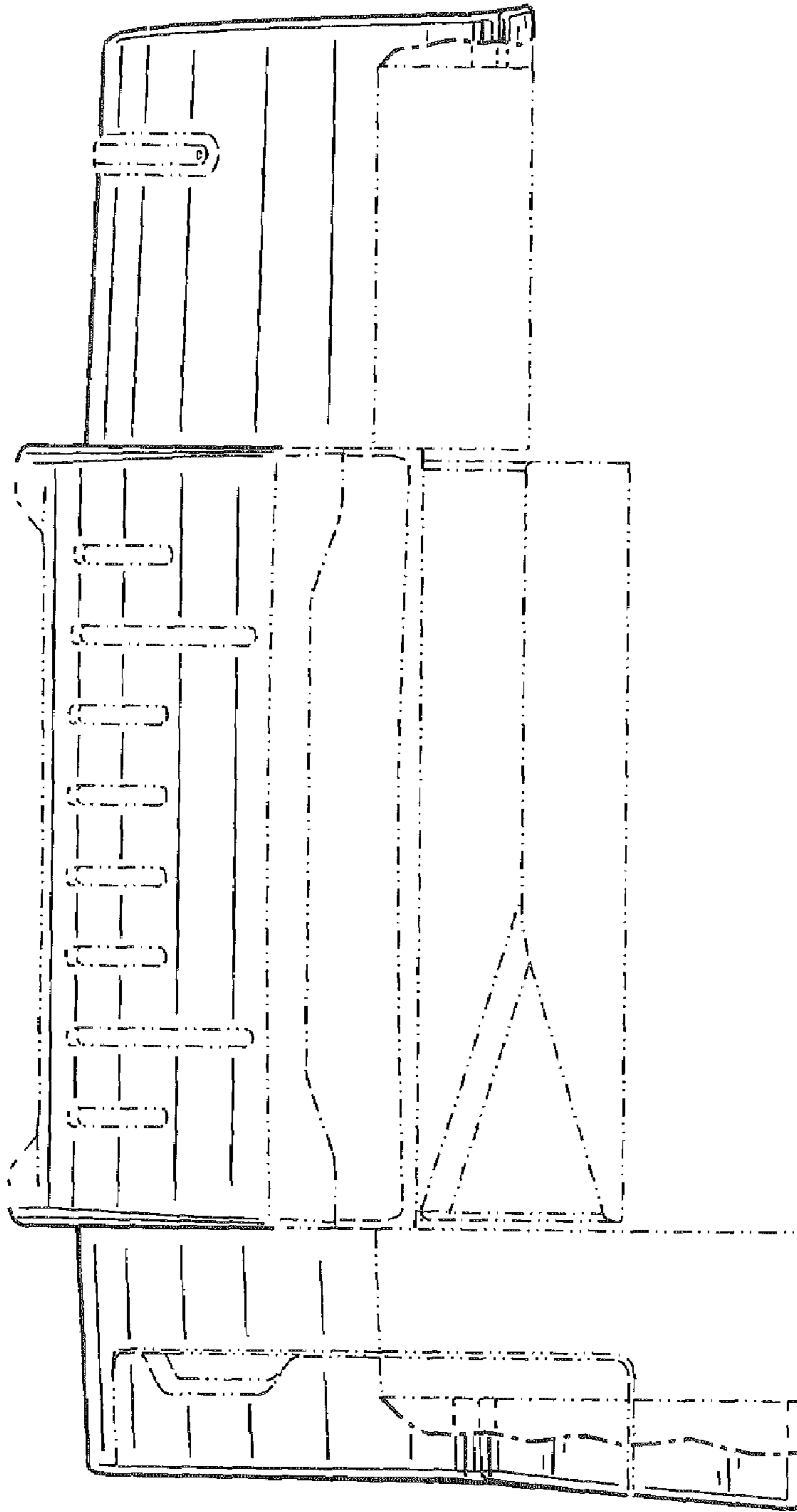


FIG. 3

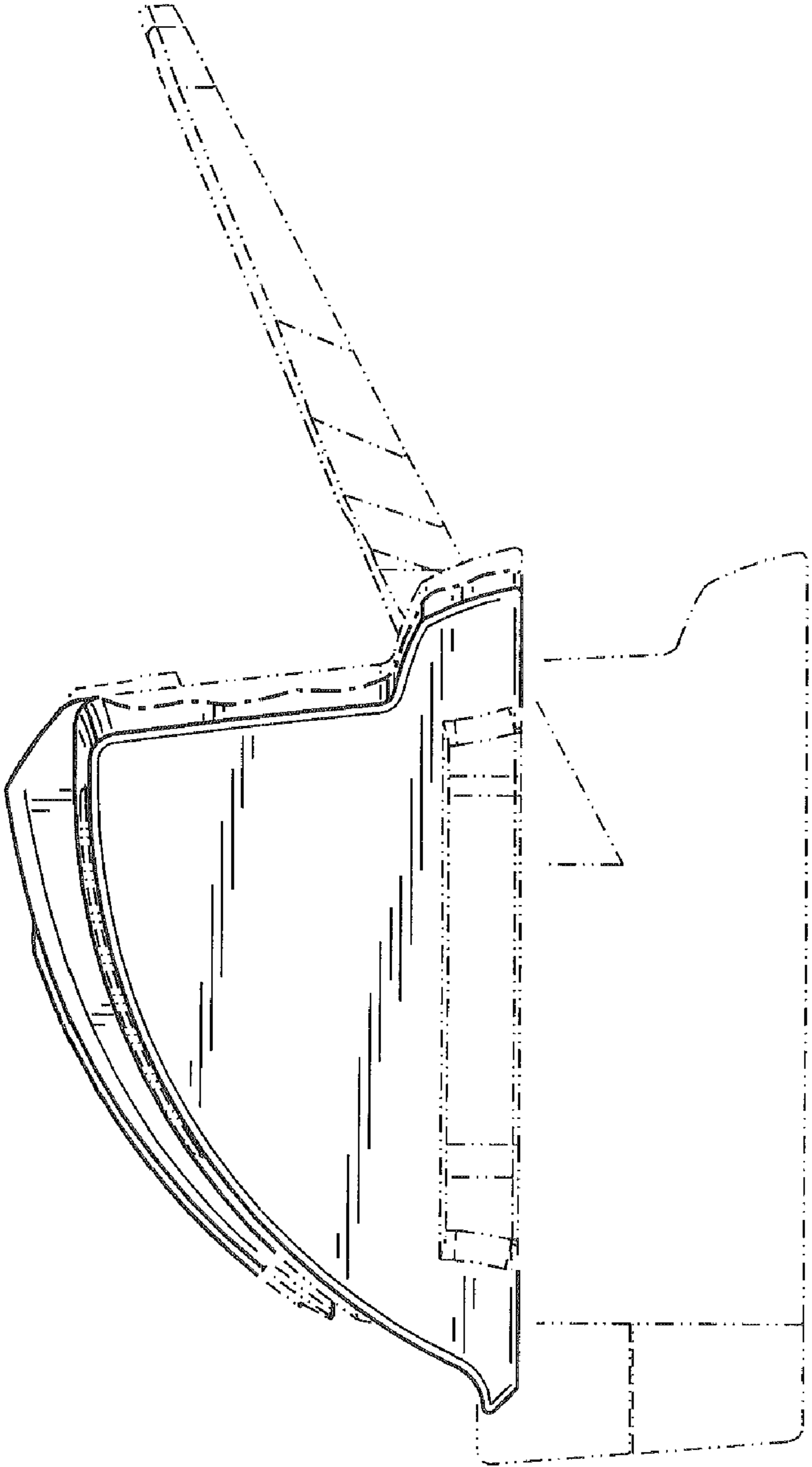


FIG. 4

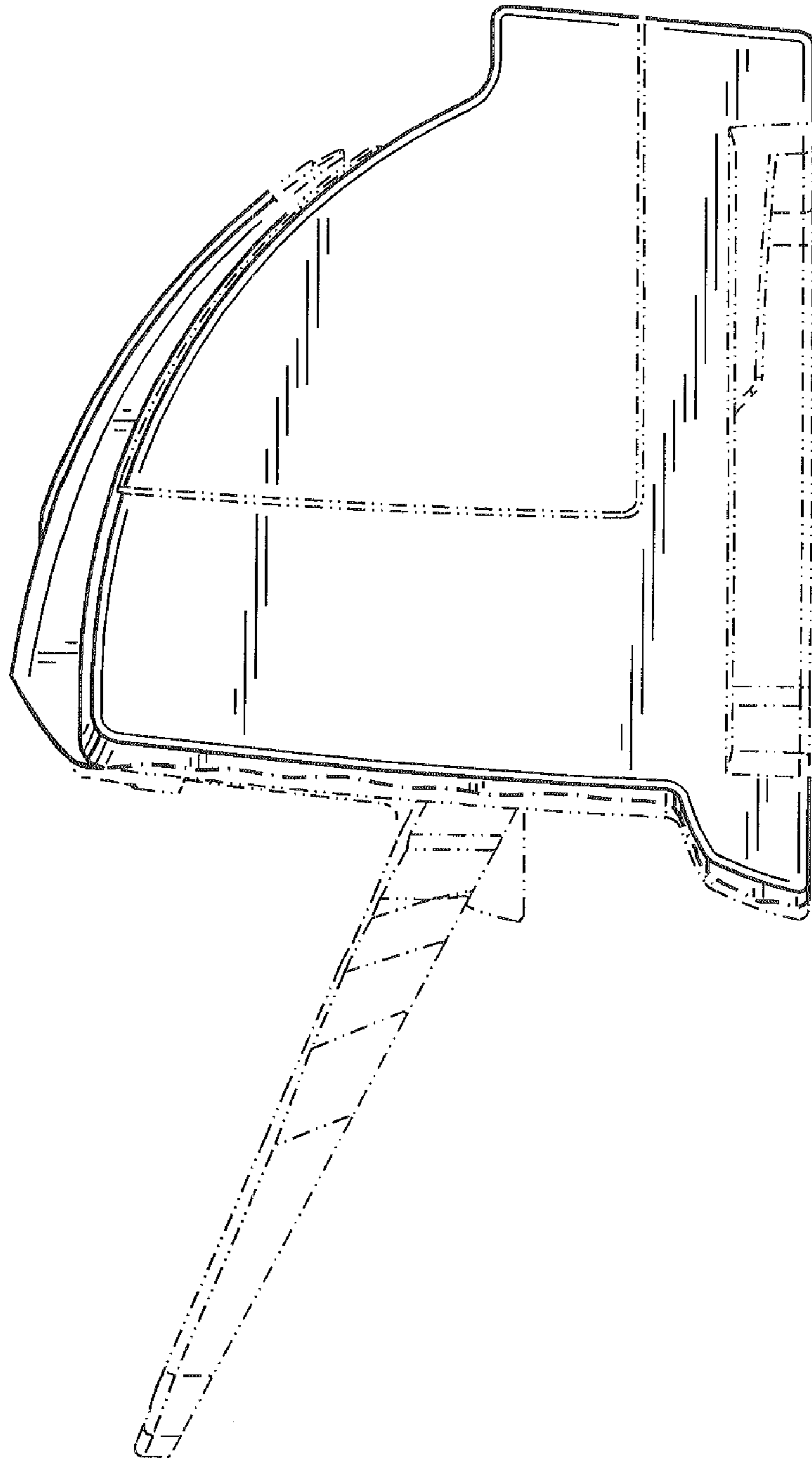


FIG. 5

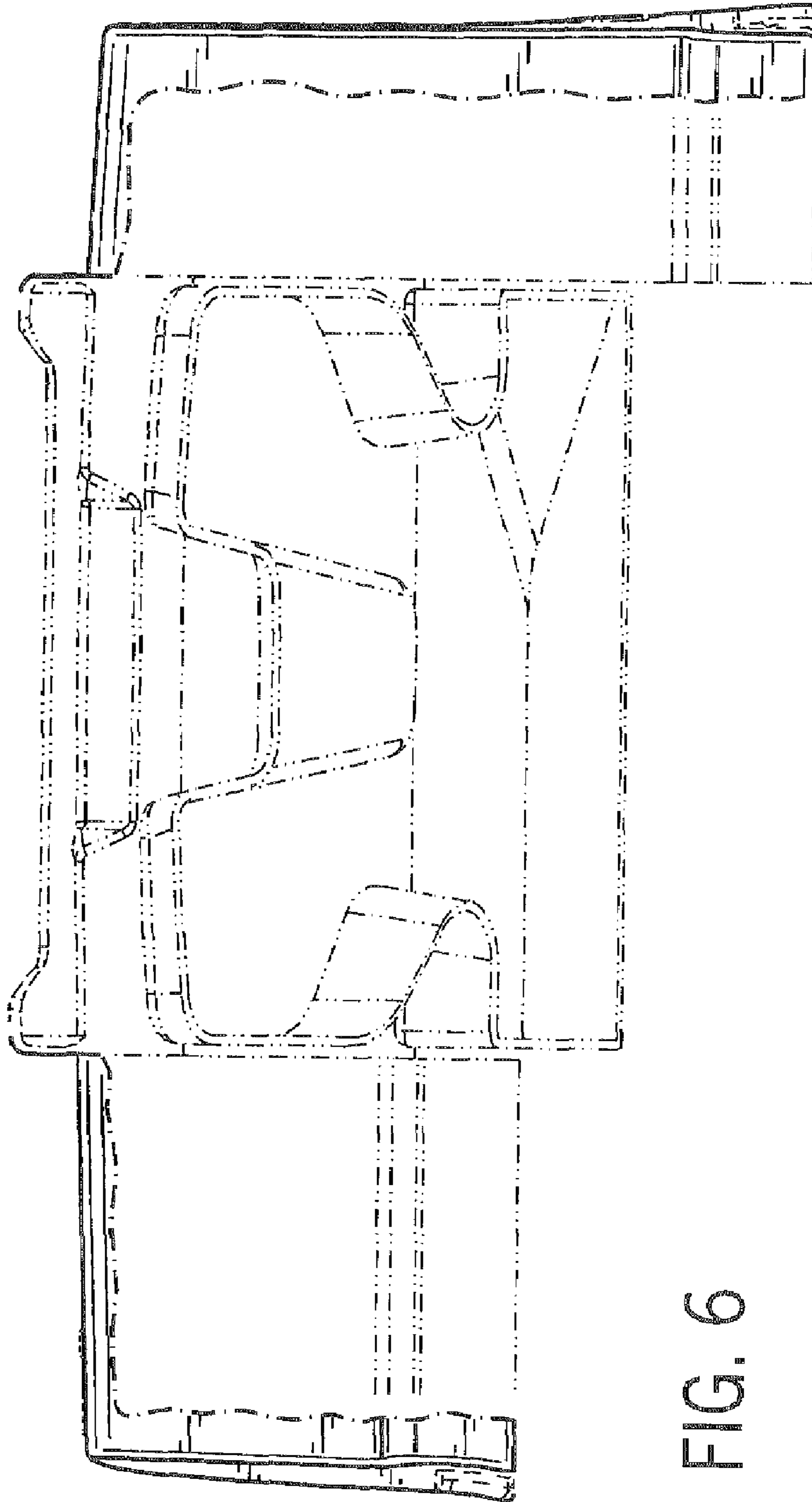


FIG. 6

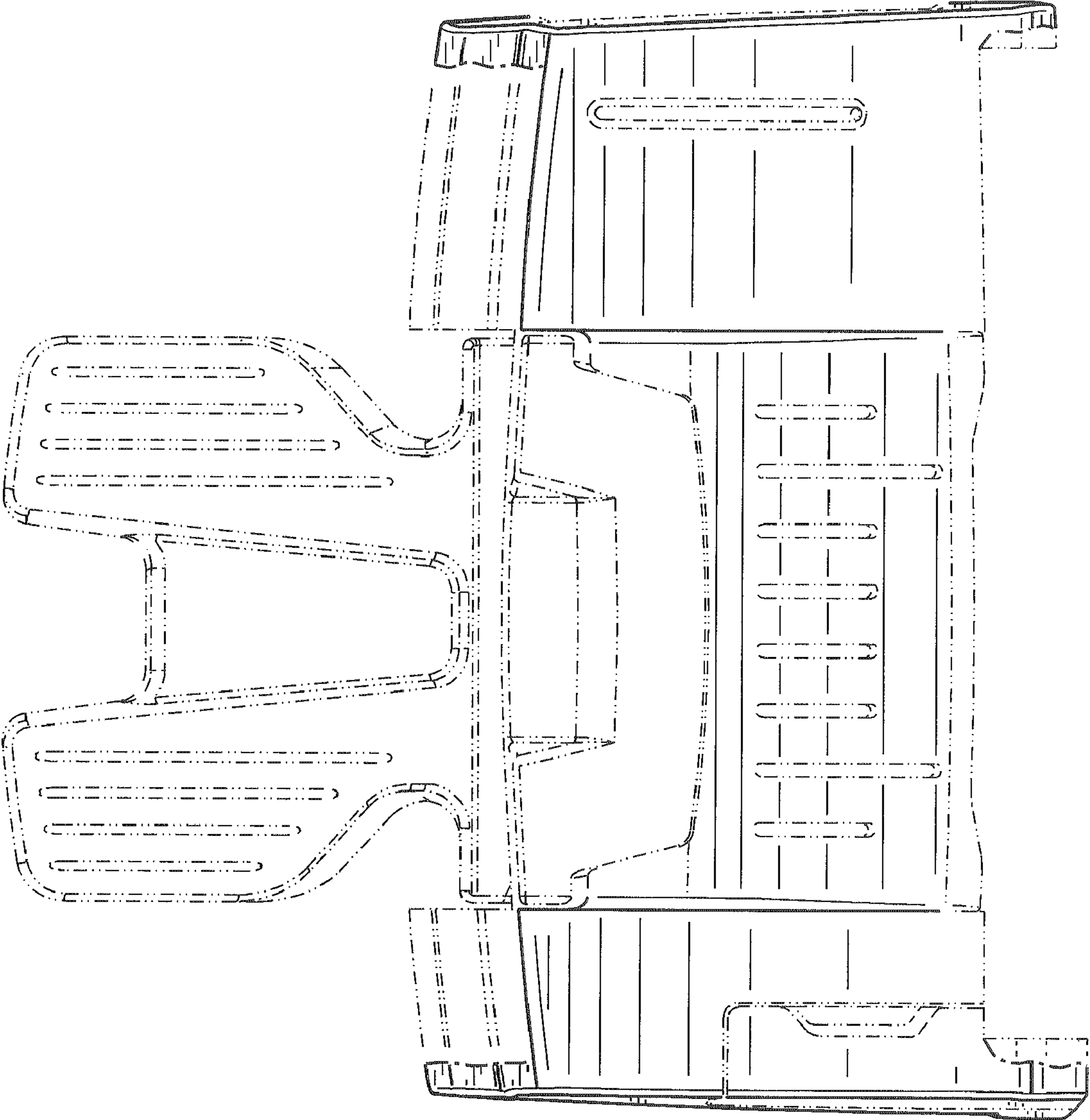


FIG. 7