

US00D545890S

(12) **United States Design Patent** (10) **Patent No.:** **US D545,890 S**  
**Abramson et al.** (45) **Date of Patent:** **\*\* Jul. 3, 2007**

(54) **SHREDDER BASKET**

(76) Inventors: **Aron Abramson**, 2025 E. 9 St.,  
Brooklyn, NY (US) 11223; **Charles Sued**, 3360 Bedford Ave., Brooklyn,  
NY (US) 11210

(\*\*) Term: **14 Years**

(21) Appl. No.: **29/246,875**

(22) Filed: **May 17, 2006**

(51) **LOC (8) Cl.** ..... **18-04**

(52) **U.S. Cl.** ..... **D18/34.9; D18/34.5**

(58) **Field of Classification Search** ..... D18/34.1-34.9,  
D18/99, 50; 83/167, 289, 302, 203, 523,  
83/633; 241/169.1, 36, 154, 157, 222, 224,  
241/168, 284, 295, 37.5, 100, 236; 385/13;  
D8/99; D7/381, 383

See application file for complete search history.

(56) **References Cited**

**U.S. PATENT DOCUMENTS**

2,308,578	A	1/1943	White et al.	
4,495,456	A	1/1985	Vercillo et al.	
4,609,155	A	9/1986	Garnier	
4,637,560	A *	1/1987	Goldhammer	..... 241/100
4,650,128	A	3/1987	Goldhammer	
5,035,366	A	7/1991	Hashimoto et al.	
5,054,695	A	10/1991	Koornhof	
5,167,374	A	12/1992	Strohmeier	
5,474,241	A	12/1995	Kennedy	
5,772,129	A	6/1998	Nishio et al.	
5,839,675	A	11/1998	Henreckson et al.	
5,934,584	A	8/1999	Schwelling	
5,988,542	A	11/1999	Henreckson et al.	
6,079,645	A	6/2000	Henreckson et al.	
6,116,528	A	9/2000	Schwelling	
D437,343	S	2/2001	Ho	

D444,809	S *	7/2001	Chang	..... D18/34.4
D446,543	S	8/2001	Ho	
D449,850	S	10/2001	Ho	
D454,907	S	3/2002	Ho	
6,360,397	B1	3/2002	Ko	
D455,170	S	4/2002	Ho	
D455,171	S	4/2002	Ho	
6,390,398	B1 *	5/2002	Wu Huang	..... 241/100

(Continued)

**FOREIGN PATENT DOCUMENTS**

EM	000625207-0002	*	11/2006	
GB	2065708	*	8/1997	
GB	2081404	*	4/1999	
GB	3002610	*	7/2002	

*Primary Examiner*—Charles A. Rademaker  
(74) *Attorney, Agent, or Firm*—Garcia-Zamor IP Law; Ruy M. Garcia-Zamor

(57) **CLAIM**

The ornamental design for a shredder basket, as shown and described.

**DESCRIPTION**

FIG. 1 is a perspective view of a shredder showing our new design;

FIG. 2 is a left side elevation thereof, the side opposite being a mirror image;

FIG. 3 is a front elevation thereof;

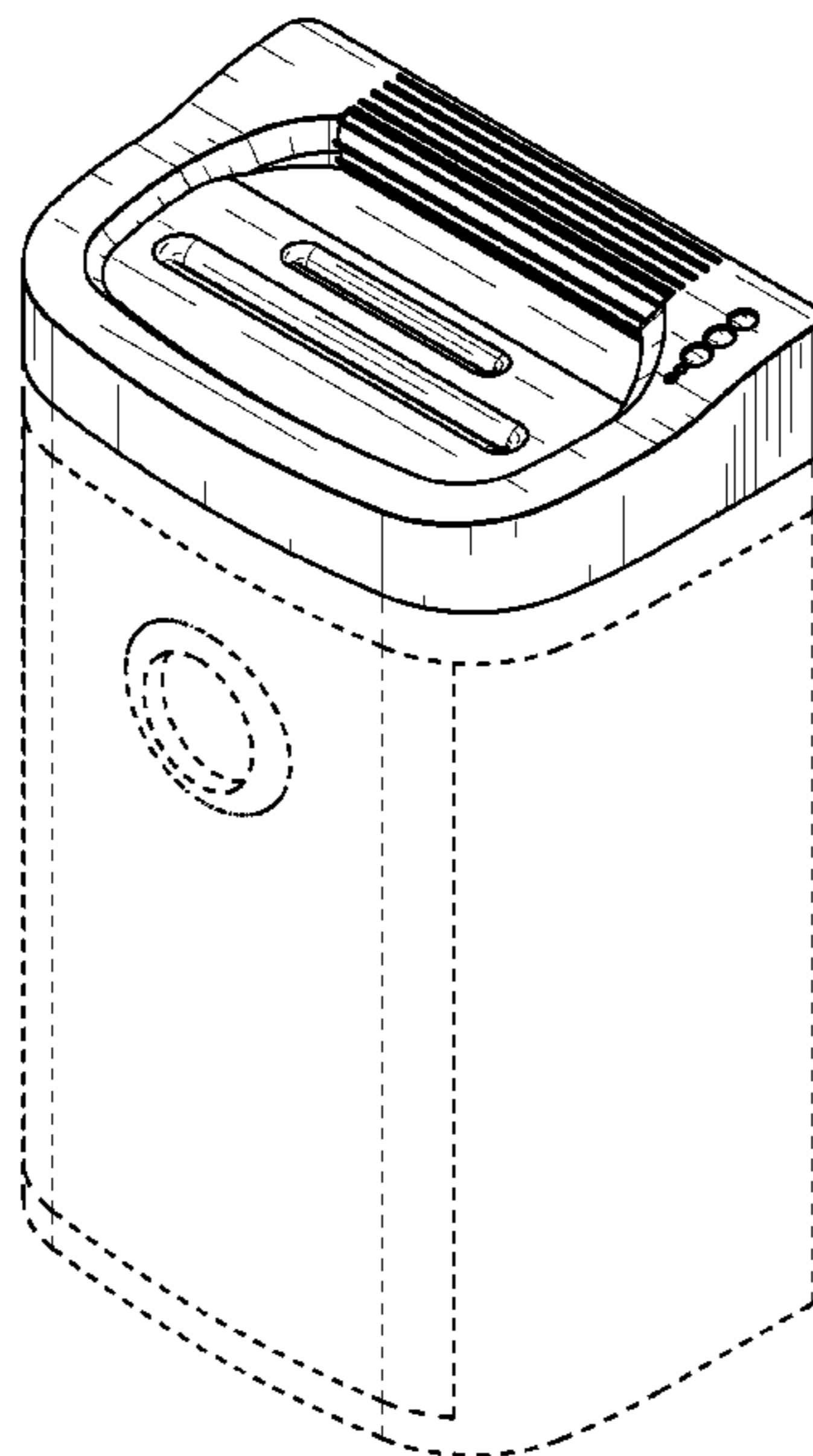
FIG. 4 is a top plan view thereof;

FIG. 5 is a rear elevation thereof; and,

FIG. 6 is a bottom plan view thereof.

The broken lines shown in the drawings illustrate environment and form no part of the claimed design.

**1 Claim, 3 Drawing Sheets**



# US D545,890 S

Page 2

---

U.S. PATENT DOCUMENTS											
6,454,196	B1 *	9/2002	Parke	.....	241/224	6,964,386	B2	11/2005	Ho		
6,513,740	B2	2/2003	Ho			7,040,559	B2 *	5/2006	Matlin et al. ....	241/36	
6,588,616	B1	7/2003	Ho			7,104,481	B2 *	9/2006	Schenker	.....	241/100
D481,416	S *	10/2003	Chang	.....	D18/34.4	D532,444	S *	11/2006	Kao et al. ....	D18/34.4	
D498,252	S	11/2004	Lo			2003/0006330	A1	1/2003	Chang		
D498,253	S	11/2004	Lo			2003/0042342	A1	3/2003	Kroger et al.		
D502,729	S	3/2005	Lo			2004/0129810	A1	7/2004	Kasprowicz et al.		
D502,960	S	3/2005	Lo			2005/0001080	A1	1/2005	Nemedi		
D502,961	S *	3/2005	Lo	.....	D18/34.6	2005/0236503	A1	10/2005	Matlin et al.		
6,962,301	B1 *	11/2005	Chang	.....	241/100	2005/0241998	A1	11/2005	Nemedi		

\* cited by examiner

FIG. 1

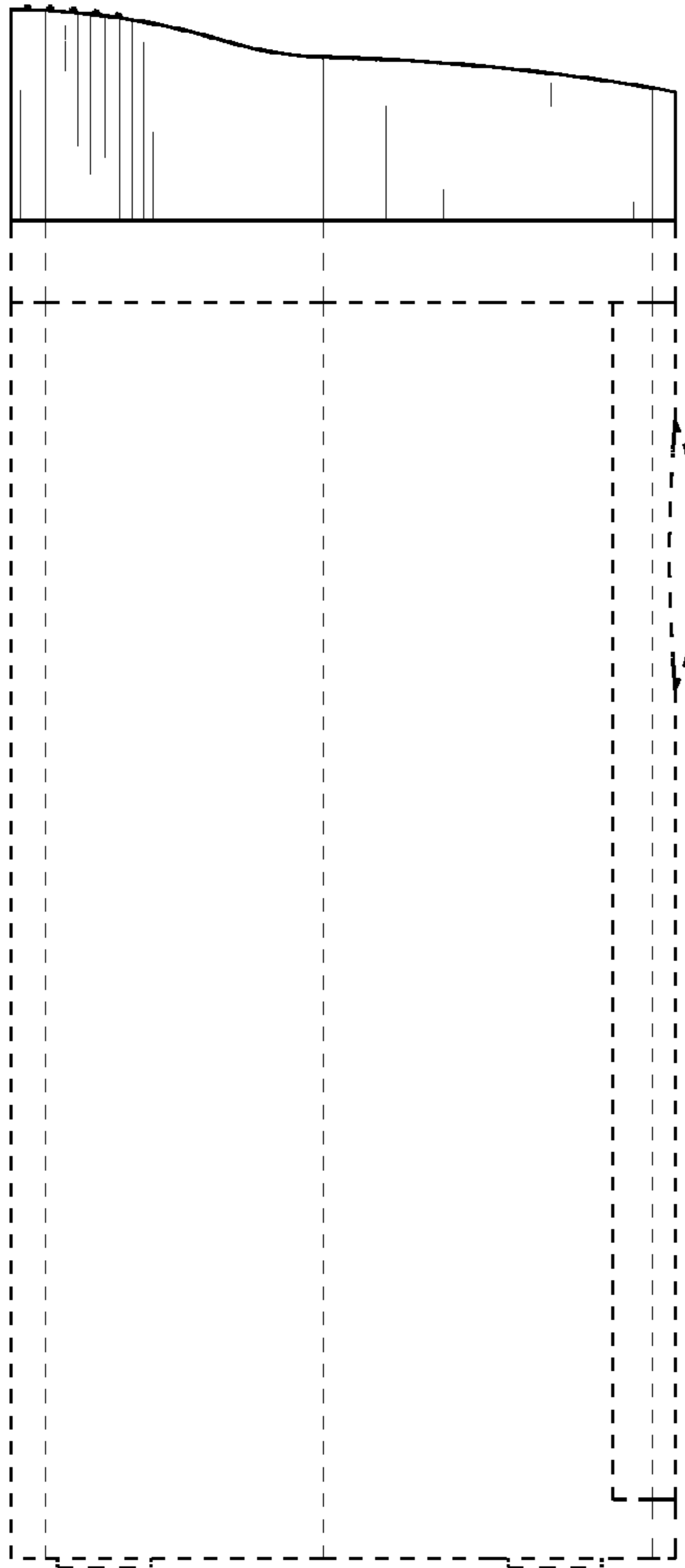
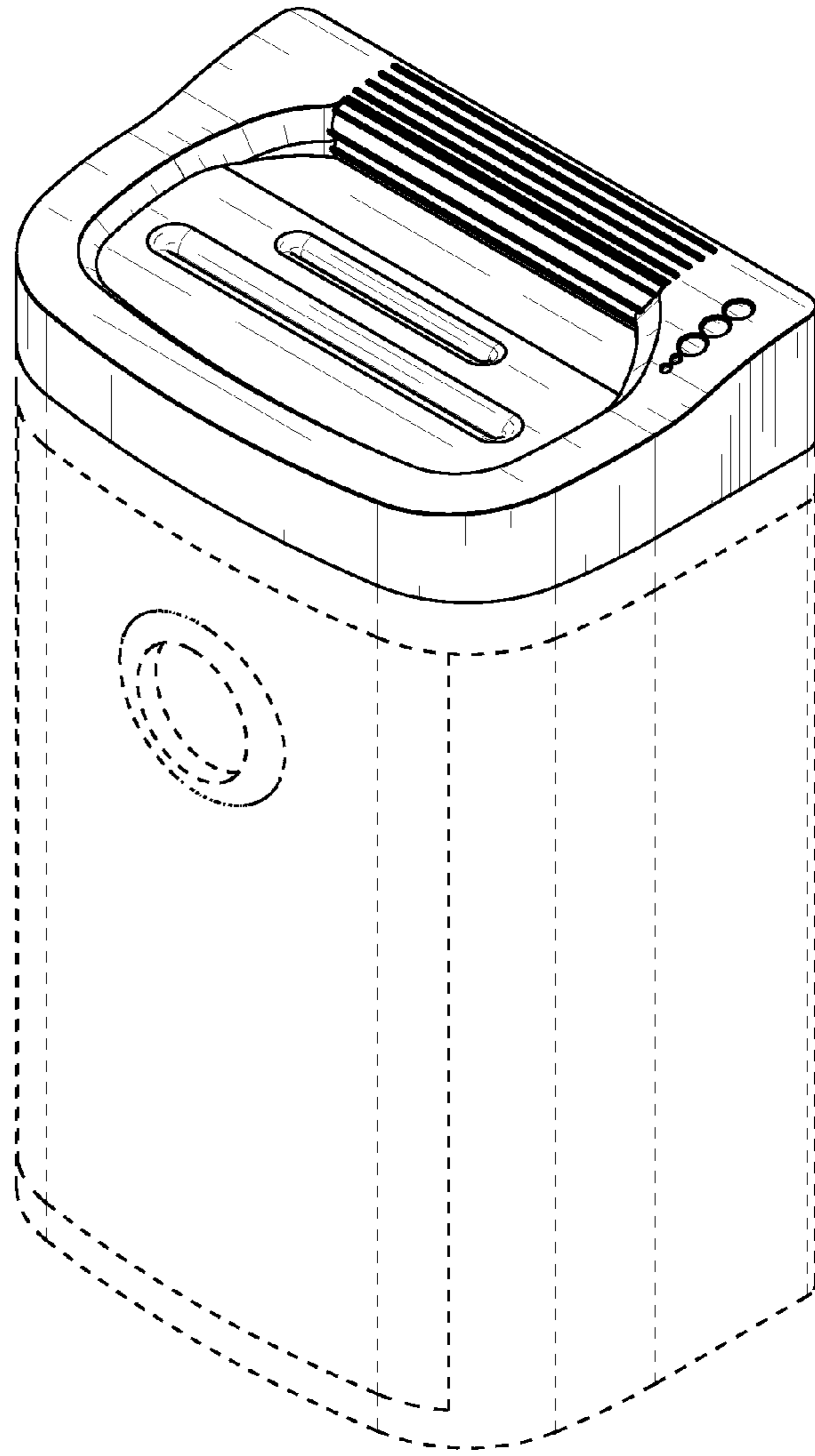


FIG. 2

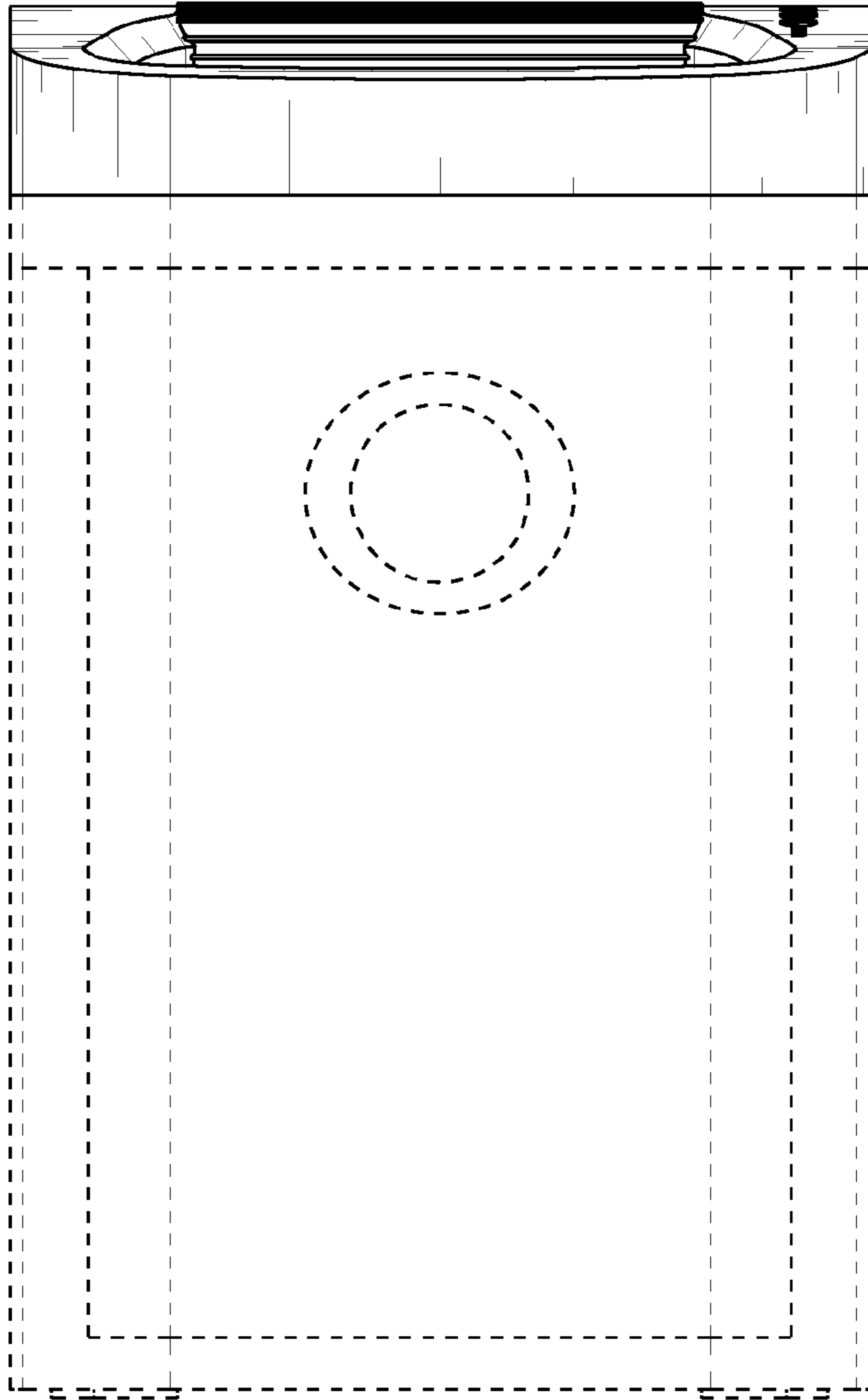


FIG. 3

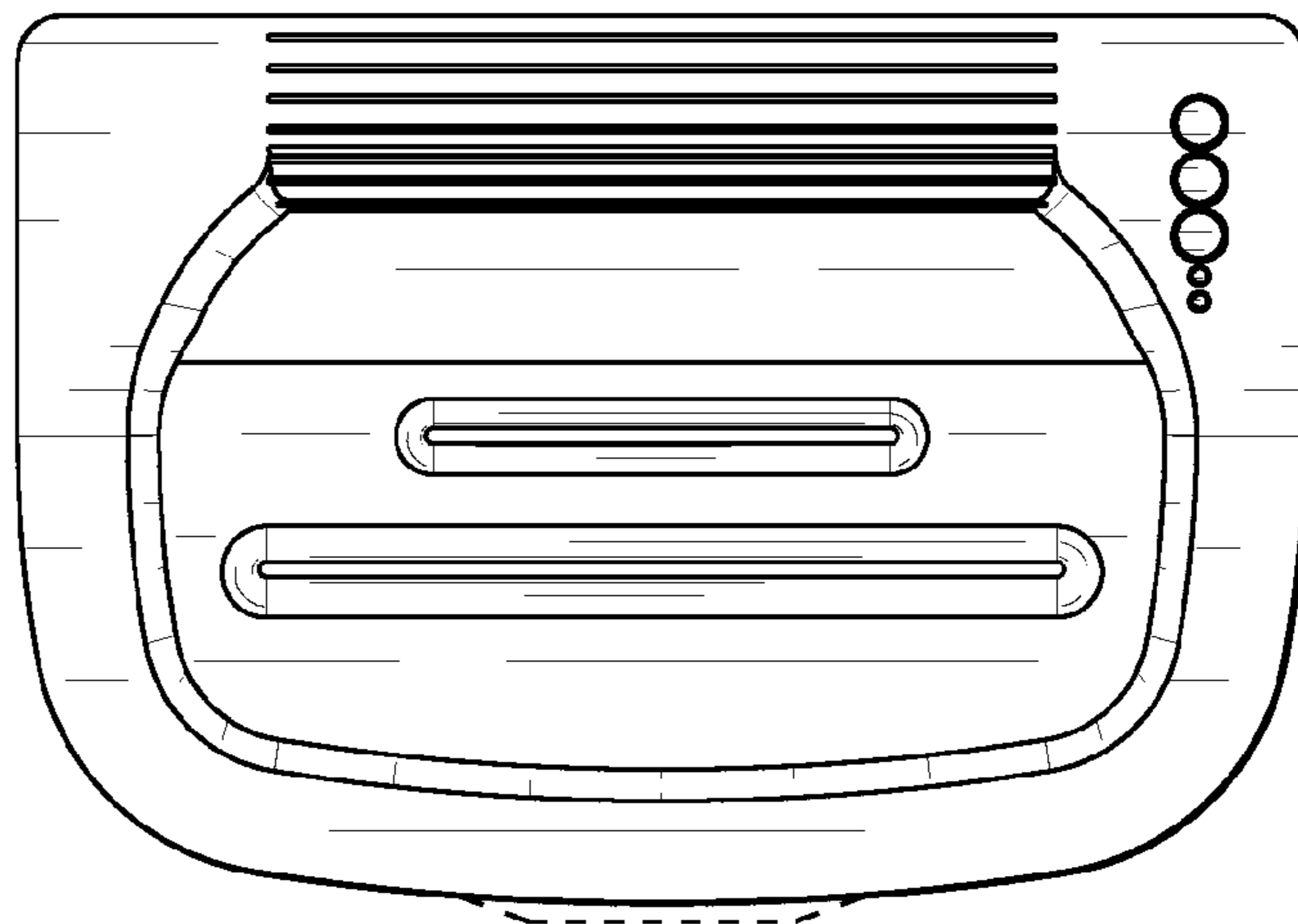
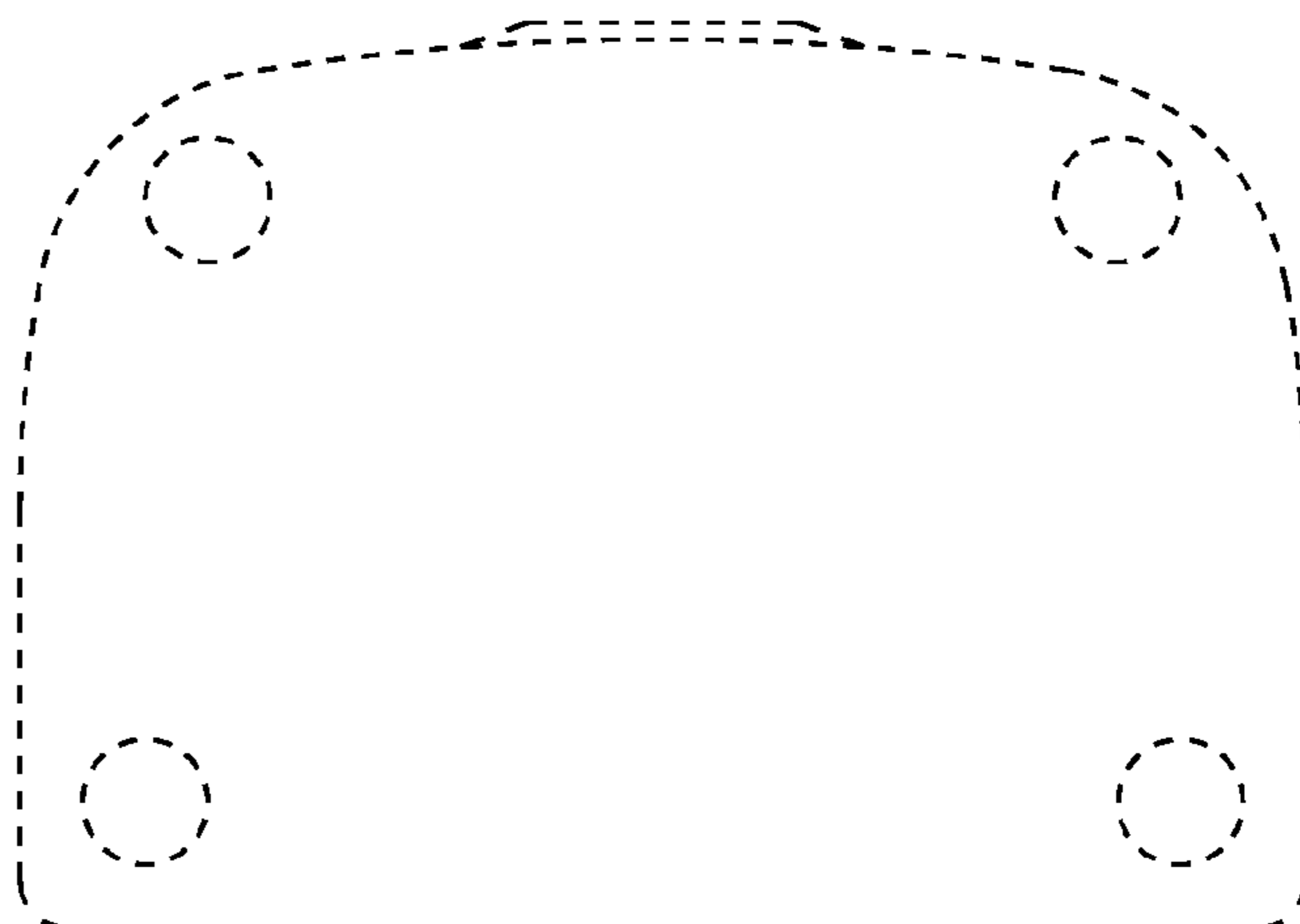


FIG. 4



**FIG. 5**



**FIG. 6**