

US00D545884S

(12) **United States Design Patent**  
**Faber**

(10) **Patent No.:** **US D545,884 S**

(45) **Date of Patent:** **\*\* Jul. 3, 2007**

(54) **PRINTER STAMP**

(75) **Inventor:** **Ernst Faber, Wels (AT)**

(73) **Assignee:** **Colop Stempelerzeugung Skopek GmbH & Co. KG, Wels (AT)**

(\*\*) **Term:** **14 Years**

(21) **Appl. No.:** **29/238,065**

(22) **Filed:** **Sep. 9, 2005**

(51) **LOC (8) Cl.** ..... **19-02**

(52) **U.S. Cl.** ..... **D18/15**

(58) **Field of Classification Search** ..... D18/15-18,  
D18/50; 101/333-334, 327, 405-406, 328,  
101/352.07; 118/264, 268

See application file for complete search history.

(56) **References Cited**

**U.S. PATENT DOCUMENTS**

3,013,488	A *	12/1961	Robinson	.....	101/333
4,289,070	A *	9/1981	MacGregor	.....	101/327
4,735,143	A *	4/1988	Weir	.....	101/405
D323,527	S *	1/1992	Weir et al.	.....	D18/15
D326,276	S *	5/1992	Mehaffey et al.	.....	D18/15
D385,905	S *	11/1997	Harden	.....	D18/15
D408,051	S *	4/1999	Faber	.....	D18/15
D412,181	S *	7/1999	Harden	.....	D18/15

D417,232	S *	11/1999	Harden	.....	D18/15
D430,891	S *	9/2000	Faber	.....	D18/15
6,499,398	B2 *	12/2002	MacNeil	.....	101/327
D503,737	S *	4/2005	Sculler	.....	D18/15
D523,892	S *	6/2006	Faber	.....	D18/15
7,073,437	B2 *	7/2006	Petersen	.....	101/333

\* cited by examiner

*Primary Examiner*—Charles A. Rademaker

(74) *Attorney, Agent, or Firm*—Abelman, Frayne & Schwab

(57) **CLAIM**

The ornamental design for a printer stamp, as shown and described.

**DESCRIPTION**

FIG. 1 is a perspective view of a printer stamp showing my new design;

FIG. 2 is a top view thereof;

FIG. 3 is a front view thereof;

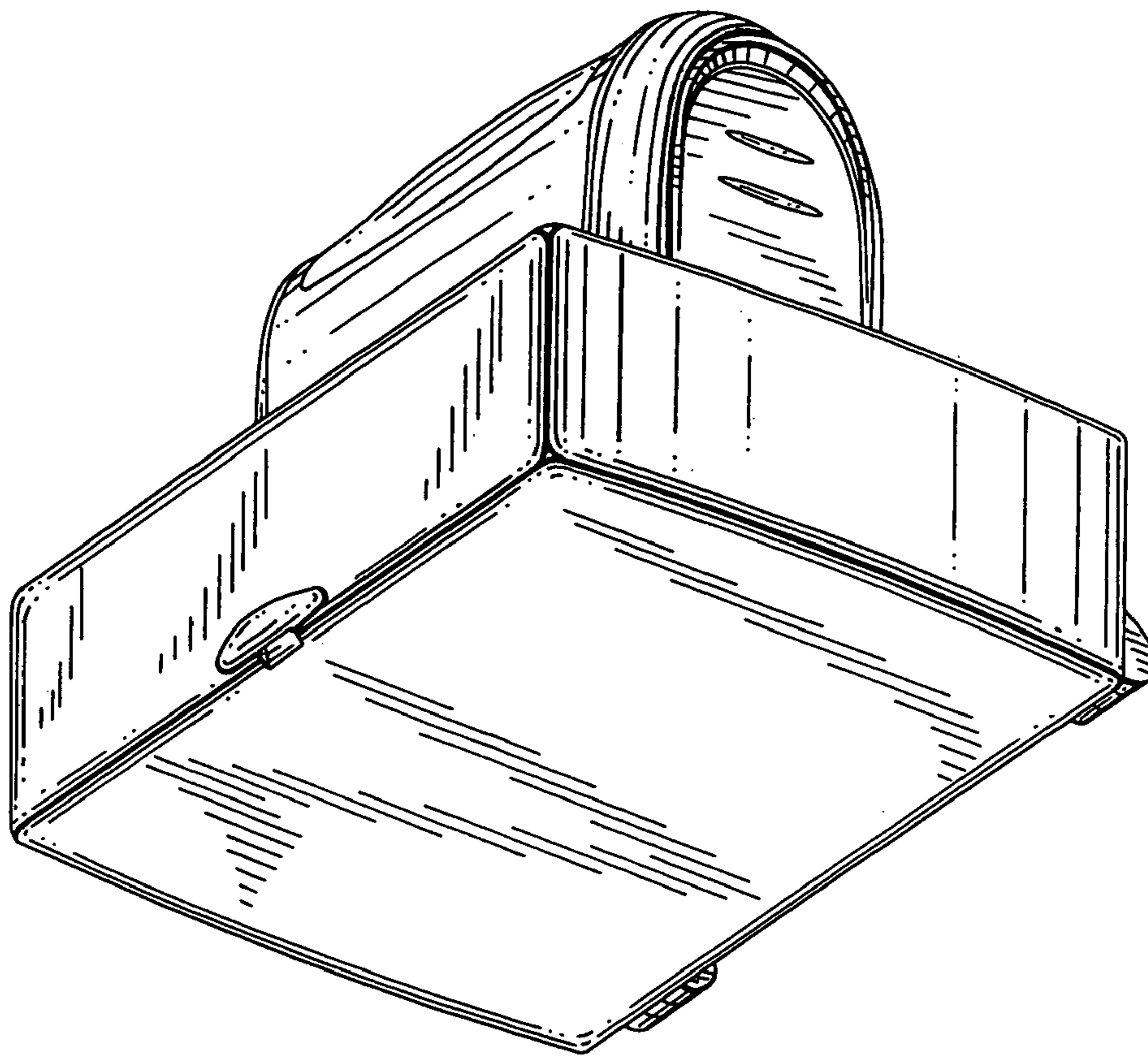
FIG. 4 is a right-side view thereof;

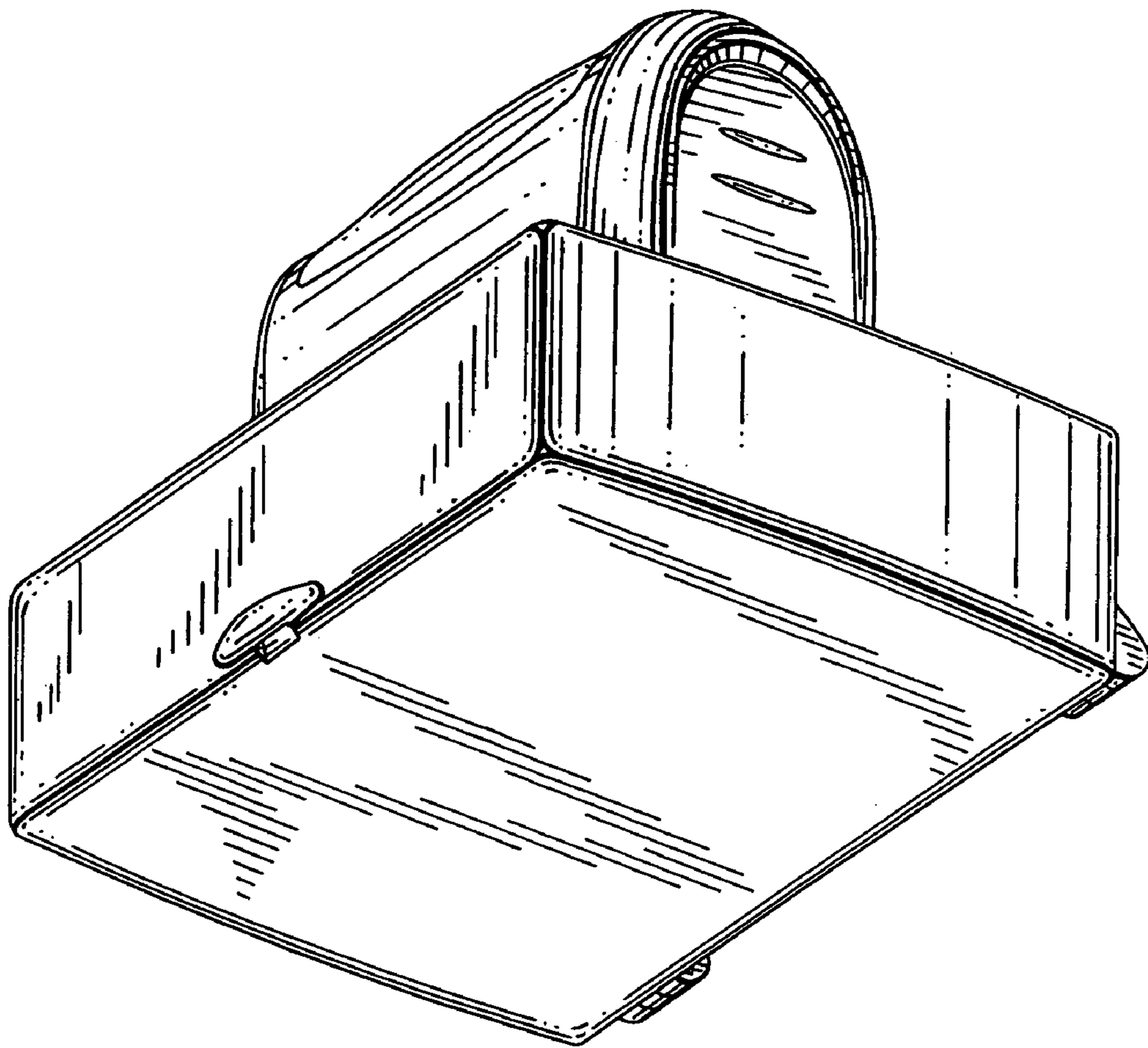
FIG. 5 is a rear view thereof;

FIG. 6 is a left-side view thereof; and,

FIG. 7 is a bottom view thereof.

**1 Claim, 4 Drawing Sheets**





*FIG. 1*

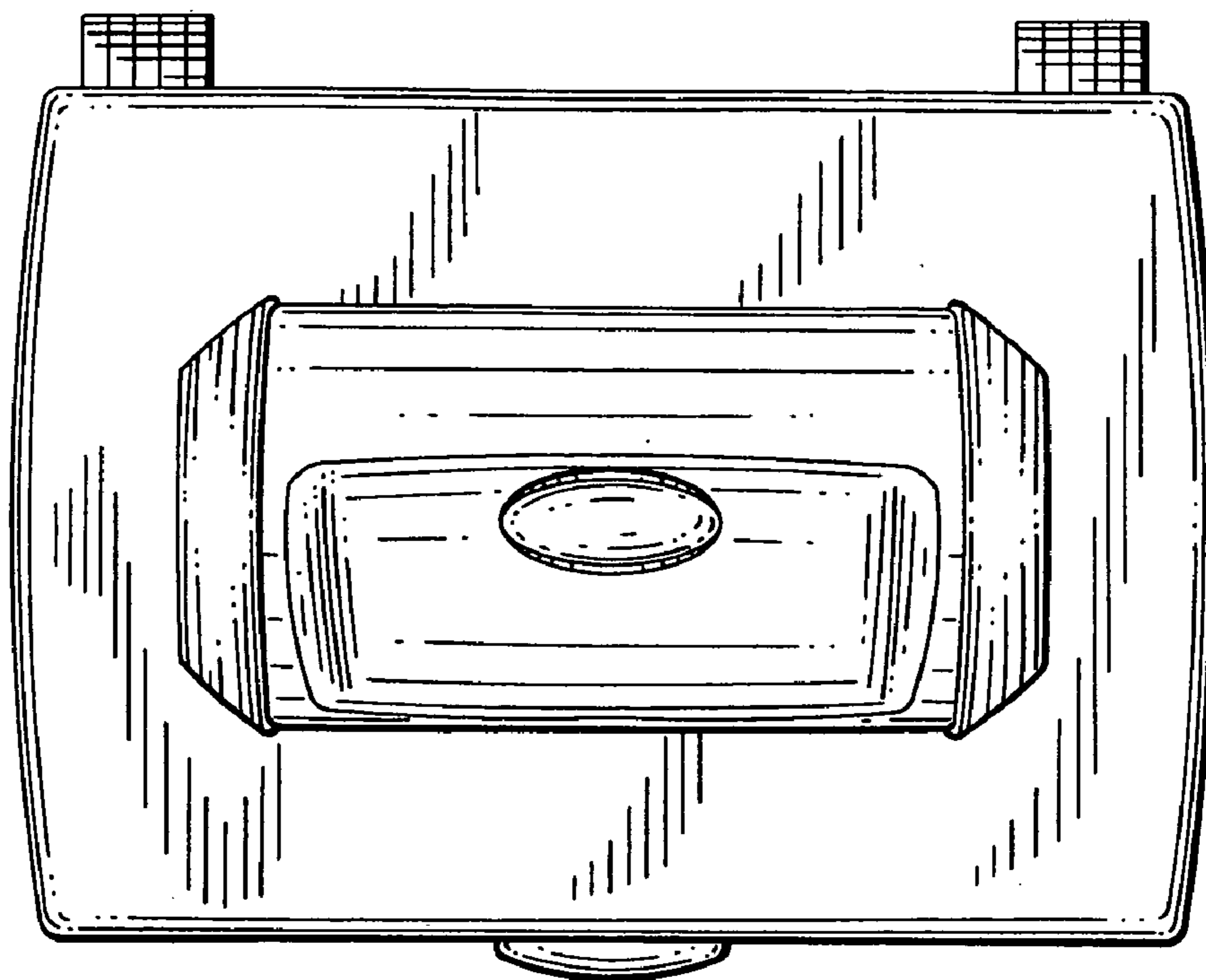


FIG. 2

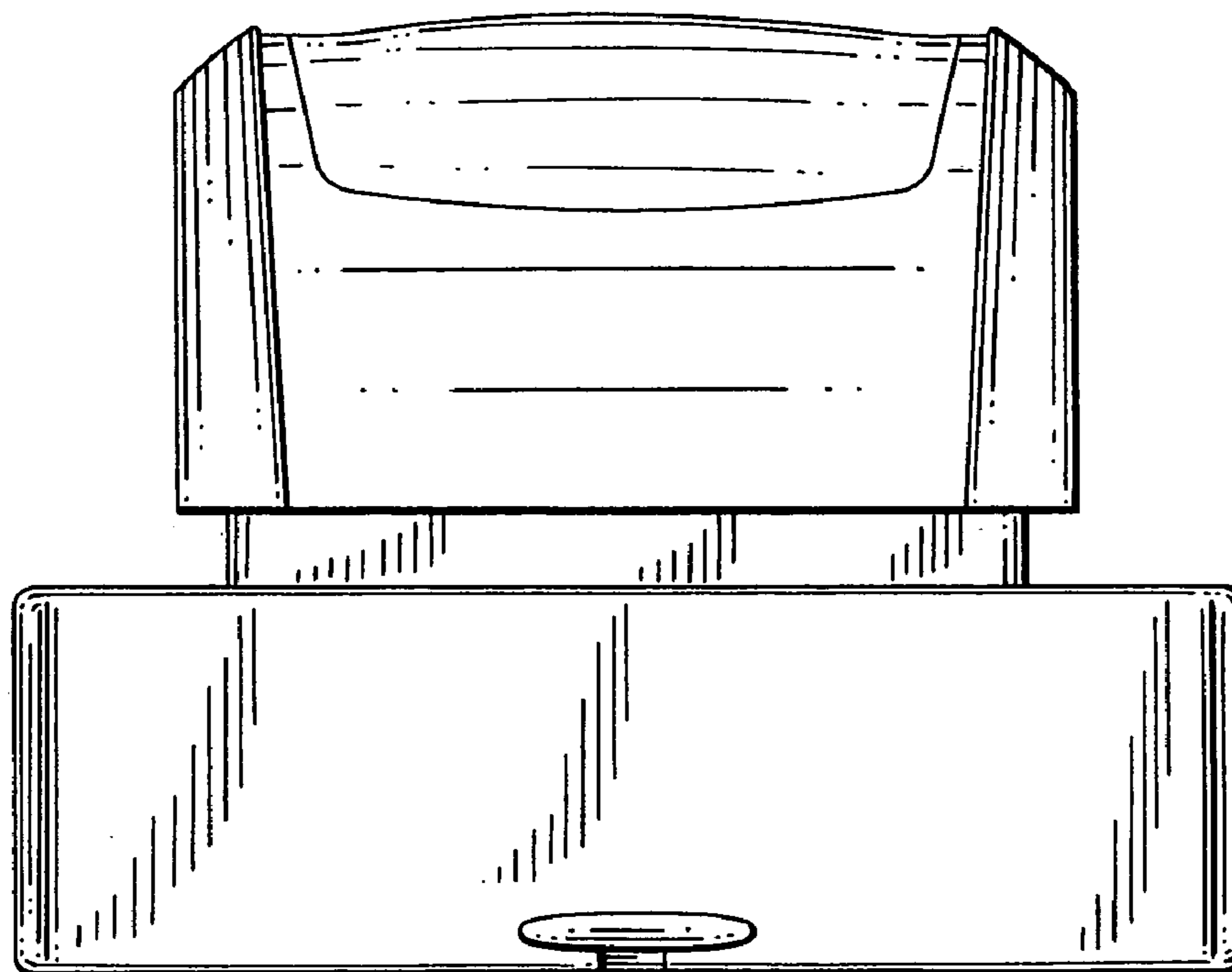


FIG. 3

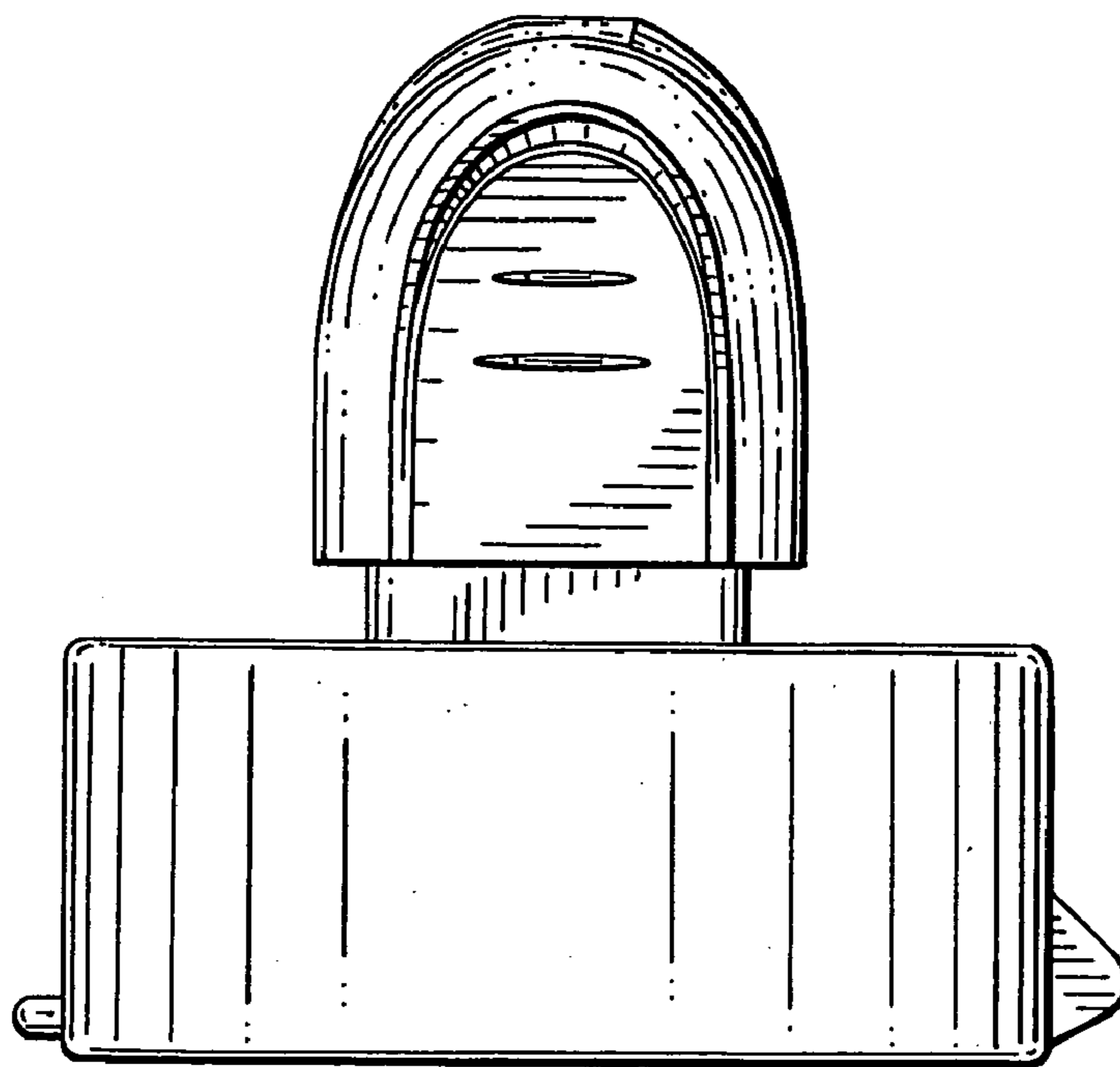


FIG. 4

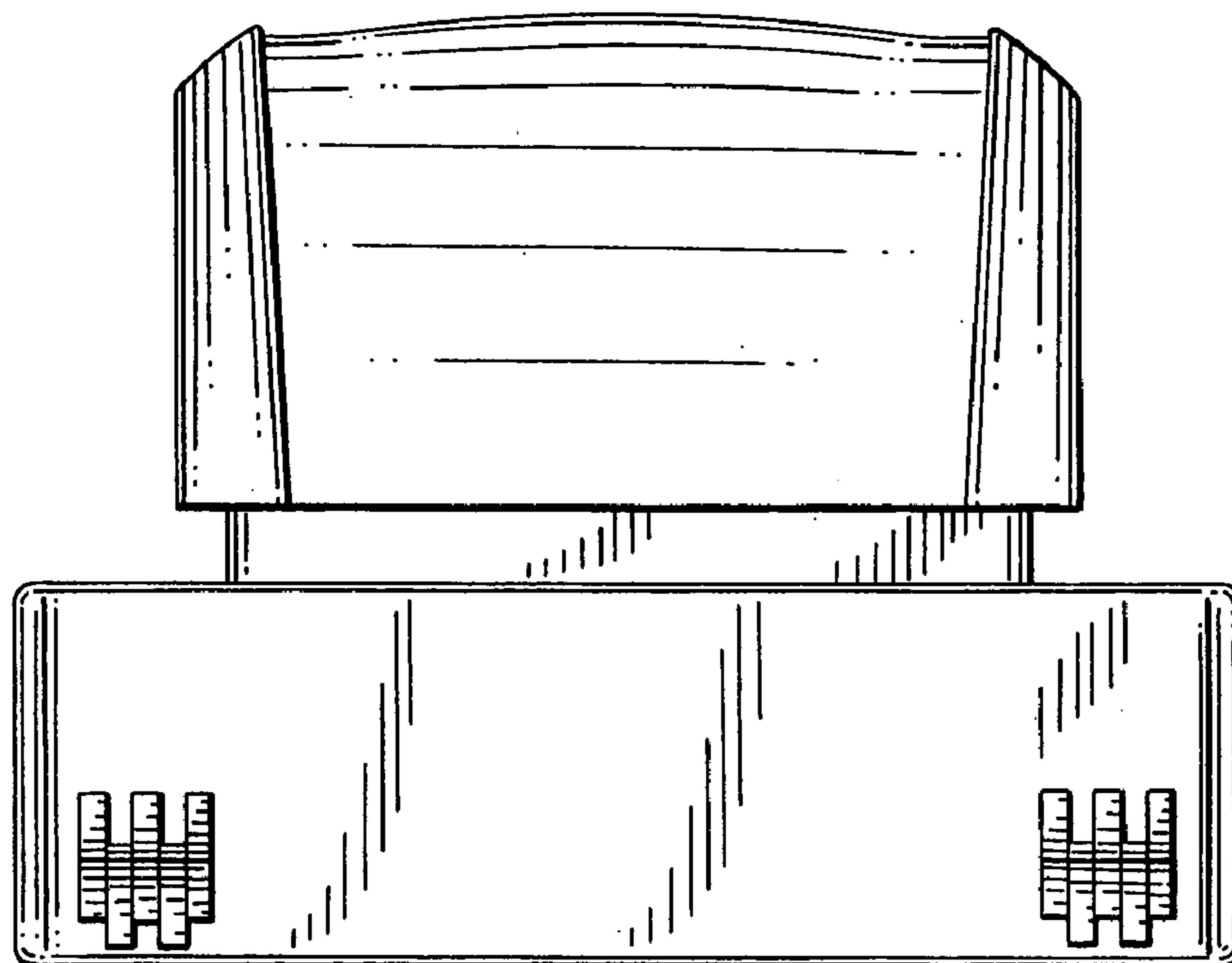


FIG. 5

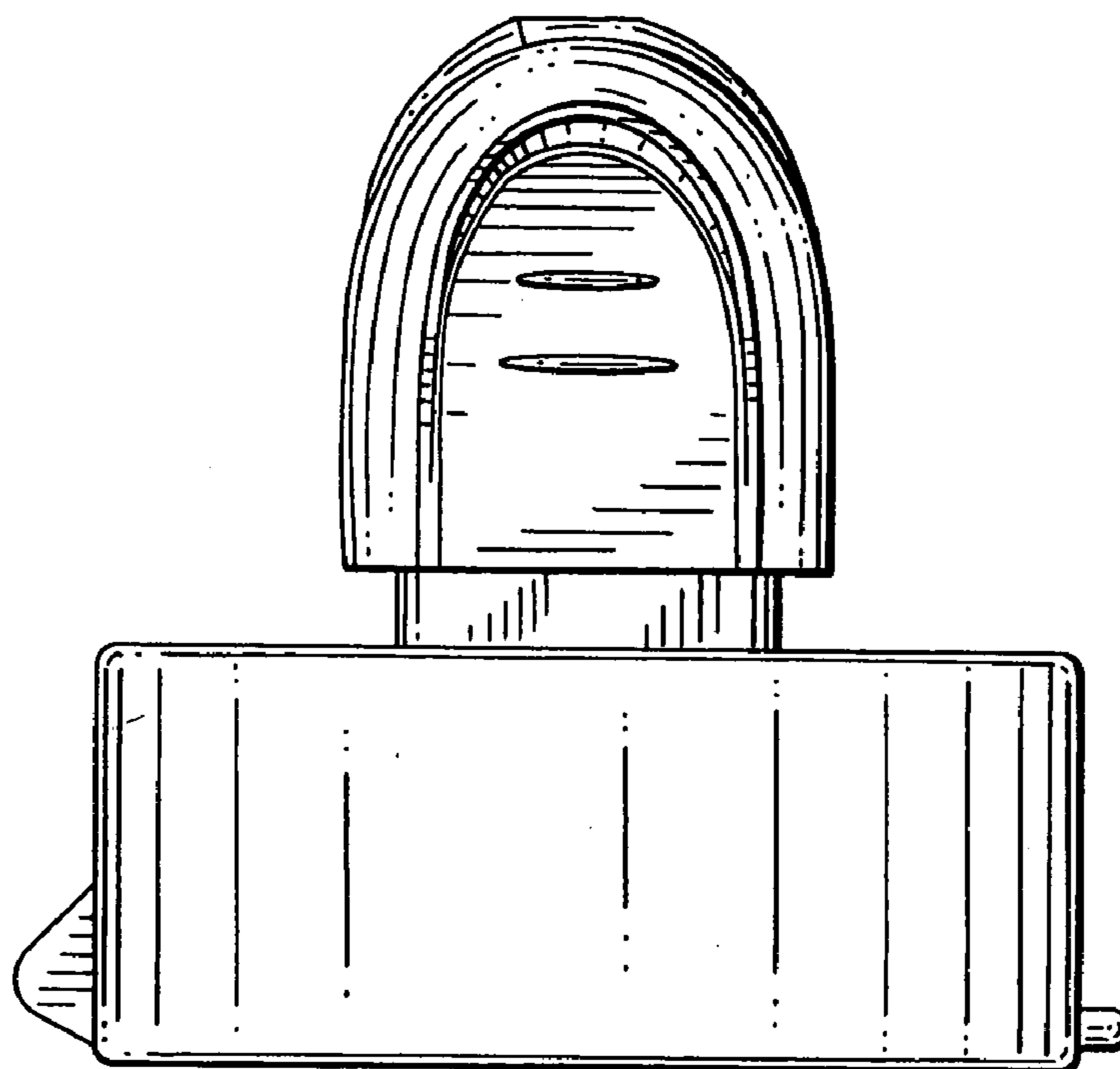


FIG. 6

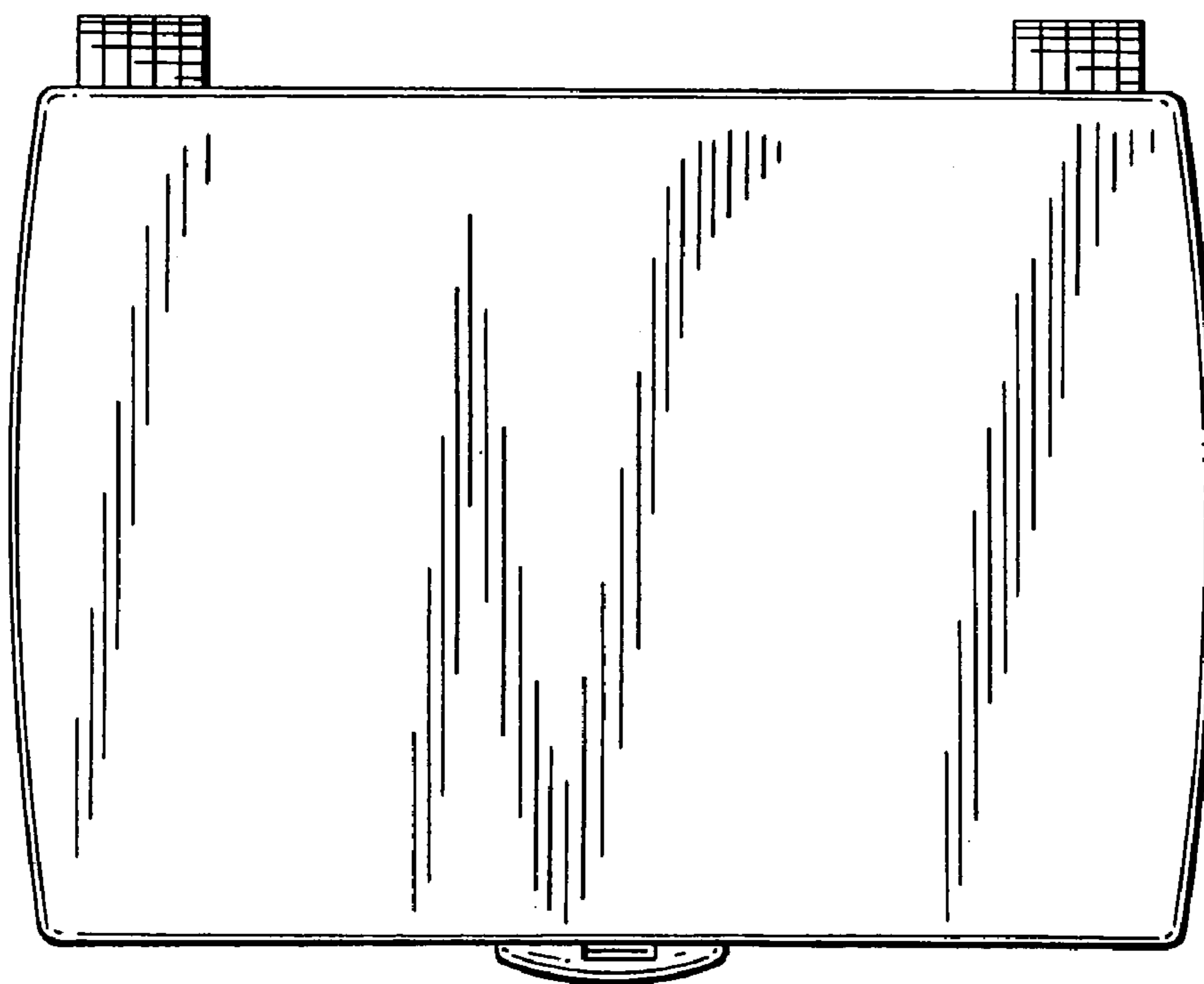


FIG. 7

UNITED STATES PATENT AND TRADEMARK OFFICE  
**CERTIFICATE OF CORRECTION**

PATENT NO. : Des. 545,884 S  
APPLICATION NO. : 29/238065  
DATED : July 3, 2007  
INVENTOR(S) : Ernst Faber

Page 1 of 1

It is certified that error appears in the above-identified patent and that said Letters Patent is hereby corrected as shown below:

On the title page, insert item:

(30) **Foreign Application Priority Data**

Mar. 11, 2005	(EM)	.....	309075-002
Mar. 11, 2005	(EM)	.....	309075-003
Mar. 11, 2005	(EM)	.....	309075-004
Mar. 11, 2005	(EM)	.....	309075-001

Signed and Sealed this

Fourth Day of December, 2007

A handwritten signature in black ink on a light gray dotted background. The signature reads "Jon W. Dudas" in a cursive style.

JON W. DUDAS

*Director of the United States Patent and Trademark Office*