

US00D545883S

(12) **United States Design Patent**
Yamamoto et al.

(10) **Patent No.:** **US D545,883 S**

(45) **Date of Patent:** **** Jul. 3, 2007**

(54) **INK RIBBON CARTRIDGE**

(75) Inventors: **Hideki Yamamoto**, Nagoya (JP);
Yasutake Yamaguchi, Chiryu (JP)

(73) Assignee: **Brother Industries, Ltd.**, Nagoya (JP)

(**) Term: **14 Years**

(21) Appl. No.: **29/218,306**

(22) Filed: **Dec. 1, 2004**

(30) **Foreign Application Priority Data**

Jun. 25, 2004 (JP) 2004-019139

(51) **LOC (8) Cl.** **18-01**

(52) **U.S. Cl.** **D18/12**

(58) **Field of Classification Search** D18/12,
D18/36, 40, 43, 44, 56; D14/462, 469-471;
222/DIG. 1; 347/197, 222; 399/24-28,
399/107-112, 119, 121, 122, 222-224; 400/207;
D8/300, 303, 306, 312, 321, 322
See application file for complete search history.

(56) **References Cited**

U.S. PATENT DOCUMENTS

5,822,646 A * 10/1998 Kinoshita et al. 399/24
5,926,666 A * 7/1999 Miura et al. 399/25
D425,545 S 5/2000 Ishida
6,072,969 A * 6/2000 Yokomori et al. 399/119
D442,211 S 5/2001 Hayashi et al.
D453,179 S * 1/2002 Neri et al. D18/12
D458,295 S * 6/2002 Neri et al. D18/12

D458,956 S * 6/2002 Neri et al. D18/12
6,623,193 B1 * 9/2003 Holland 400/207
6,827,510 B2 * 12/2004 Hayashi 400/208
D504,907 S * 5/2005 Neri D18/12
D505,445 S * 5/2005 Neri D18/12
D514,153 S * 1/2006 Tu D18/12
D521,052 S * 5/2006 Tu D18/12
2005/0129444 A1 * 6/2005 Igi et al. 400/207

* cited by examiner

Primary Examiner—Robert M. Spear

Assistant Examiner—Garth Rademaker

(74) *Attorney, Agent, or Firm*—Oliff & Berridge, PLC

(57) **CLAIM**

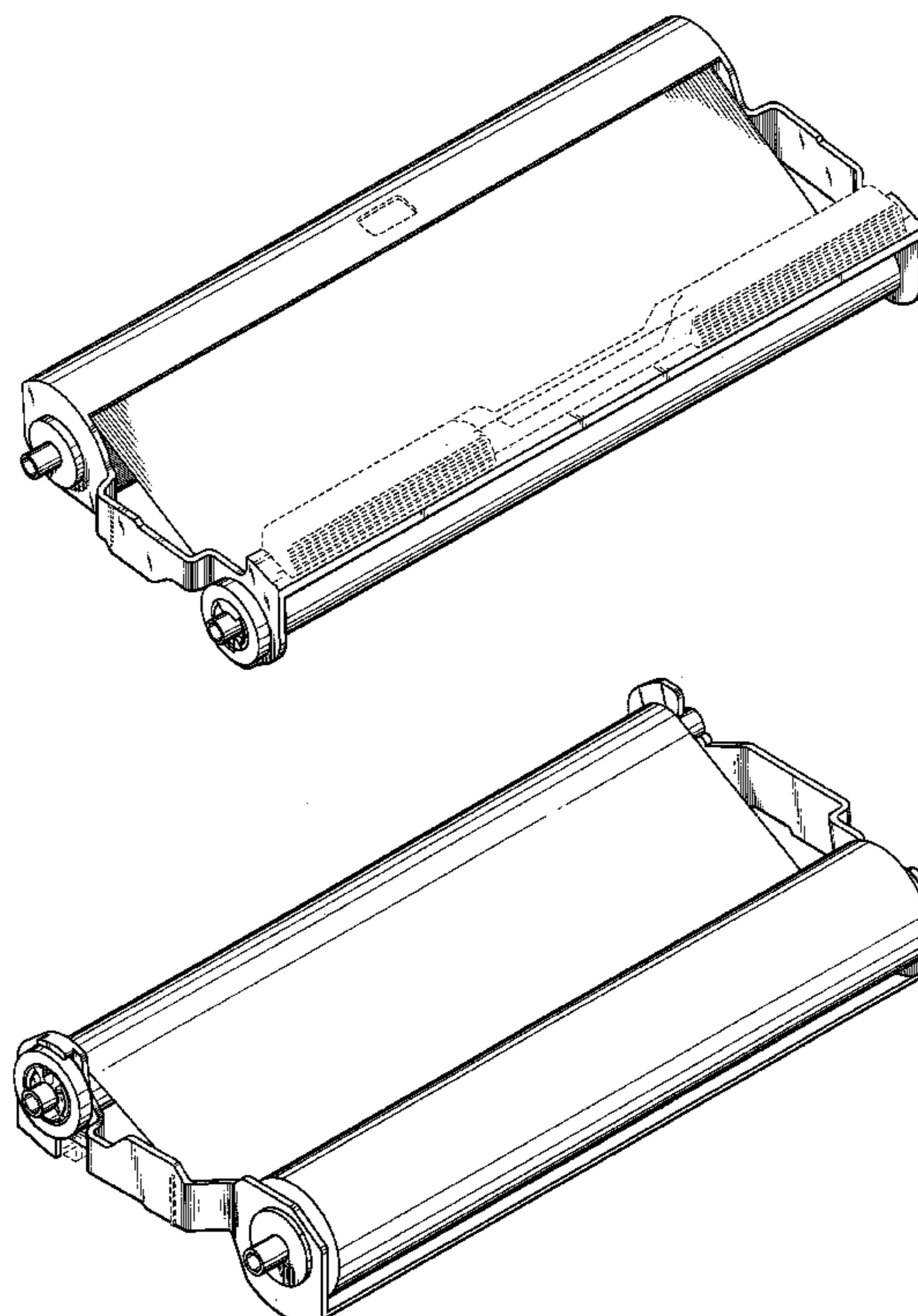
The ornamental design for an ink ribbon cartridge, as shown and described.

DESCRIPTION

FIG. 1 is a top perspective view of an ink ribbon cartridge;
FIG. 2 is a bottom perspective view thereof;
FIG. 3 is a top view thereof;
FIG. 4 is a bottom view thereof;
FIG. 5 is a right-side view thereof;
FIG. 6 is a left-side view thereof;
FIG. 7 is a front view thereof; and,
FIG. 8 is a rear view thereof.

The broken line showing is for illustrative purposes only and forms no part of the claimed design.

1 Claim, 4 Drawing Sheets



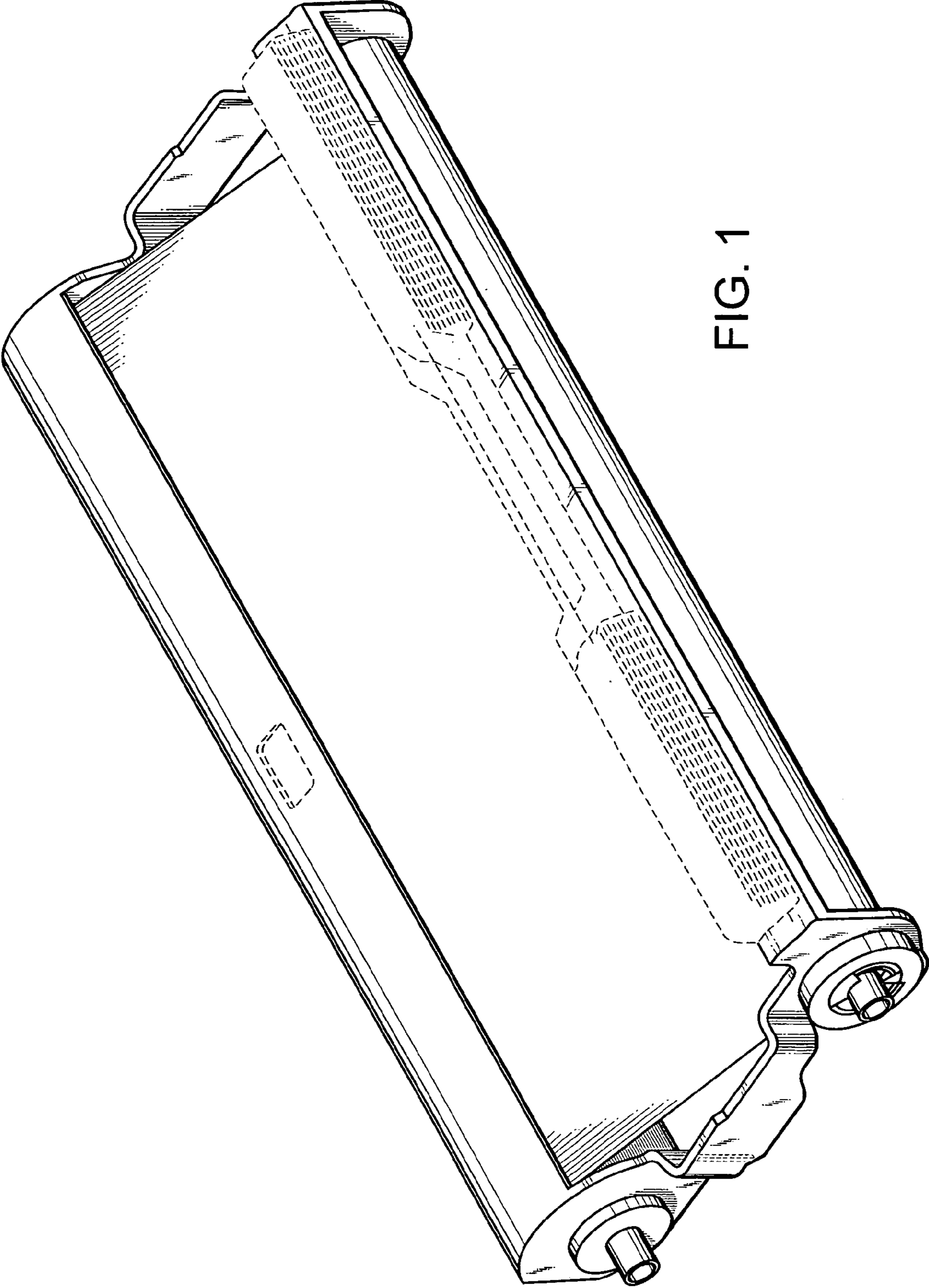


FIG. 1

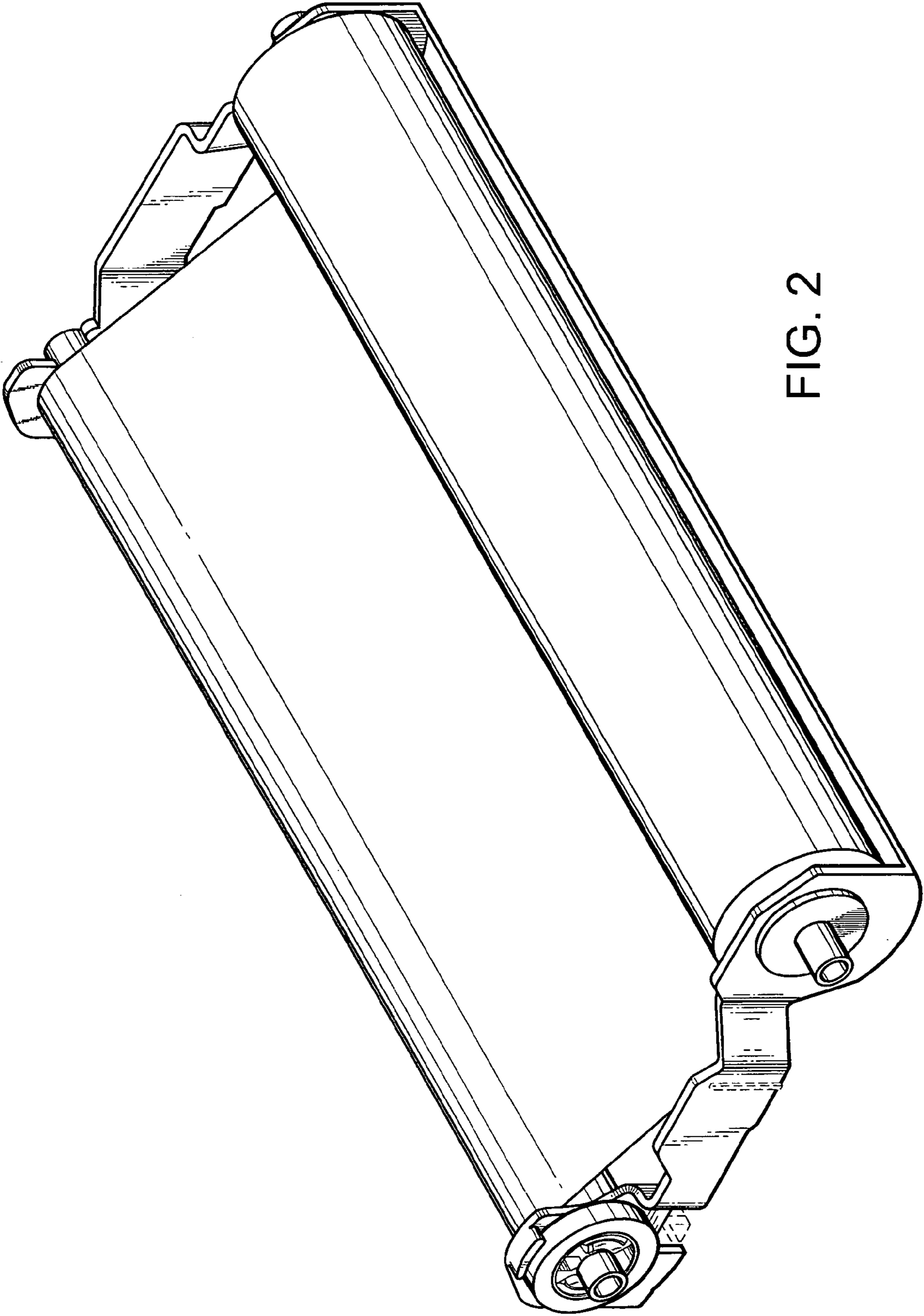


FIG. 2

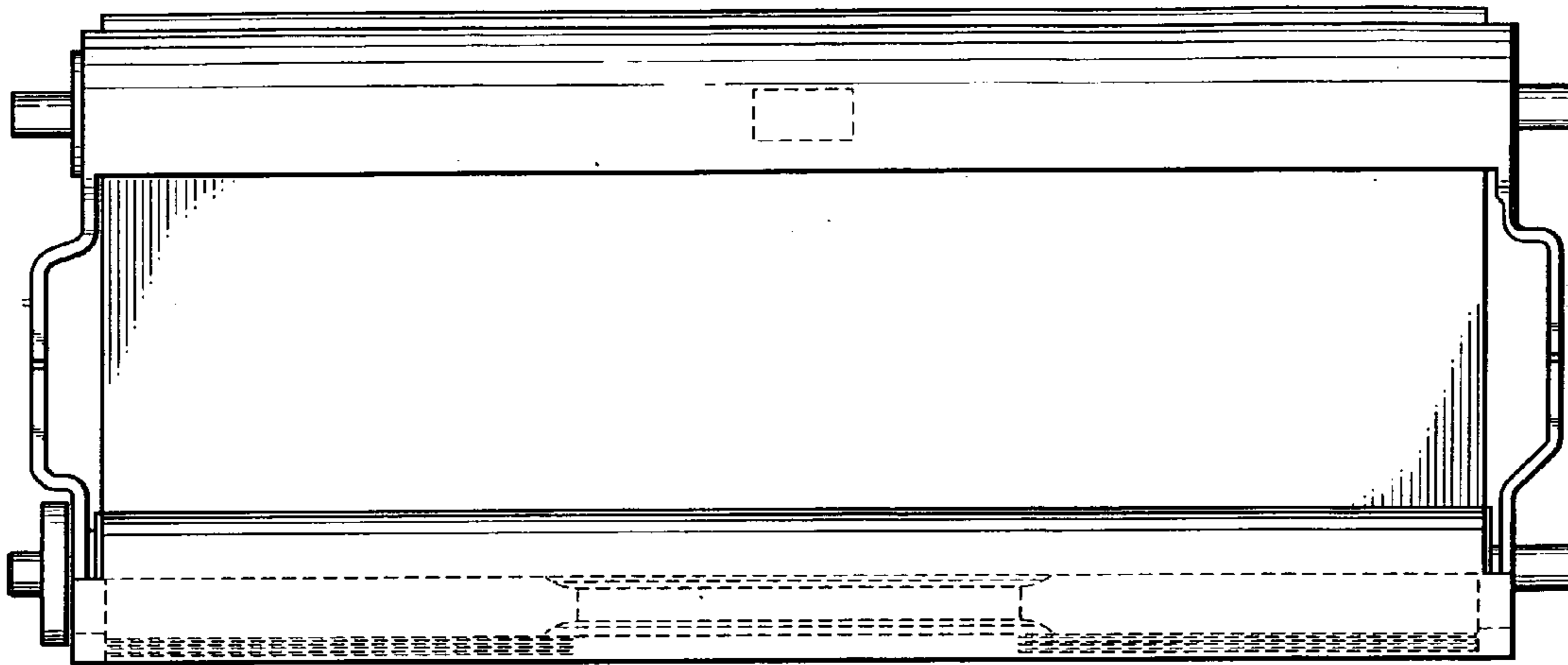


FIG. 3

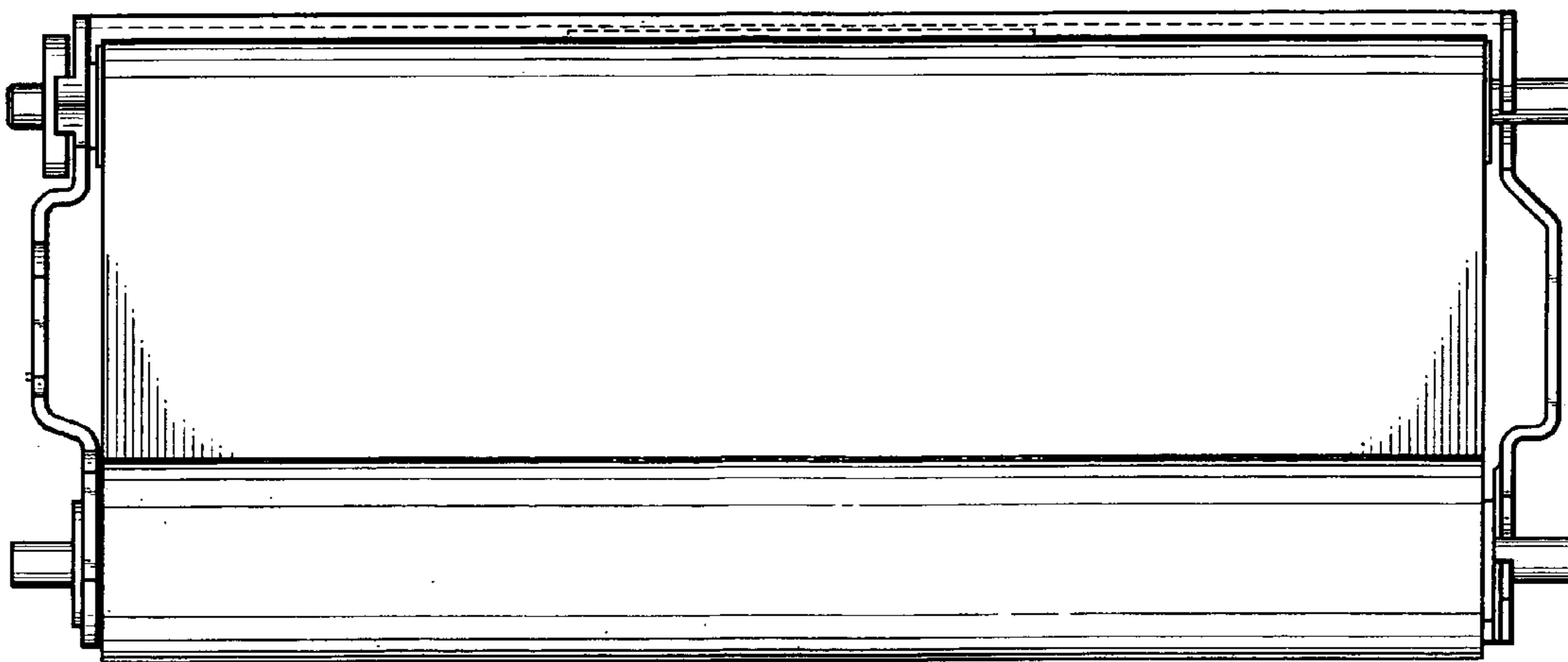


FIG. 4

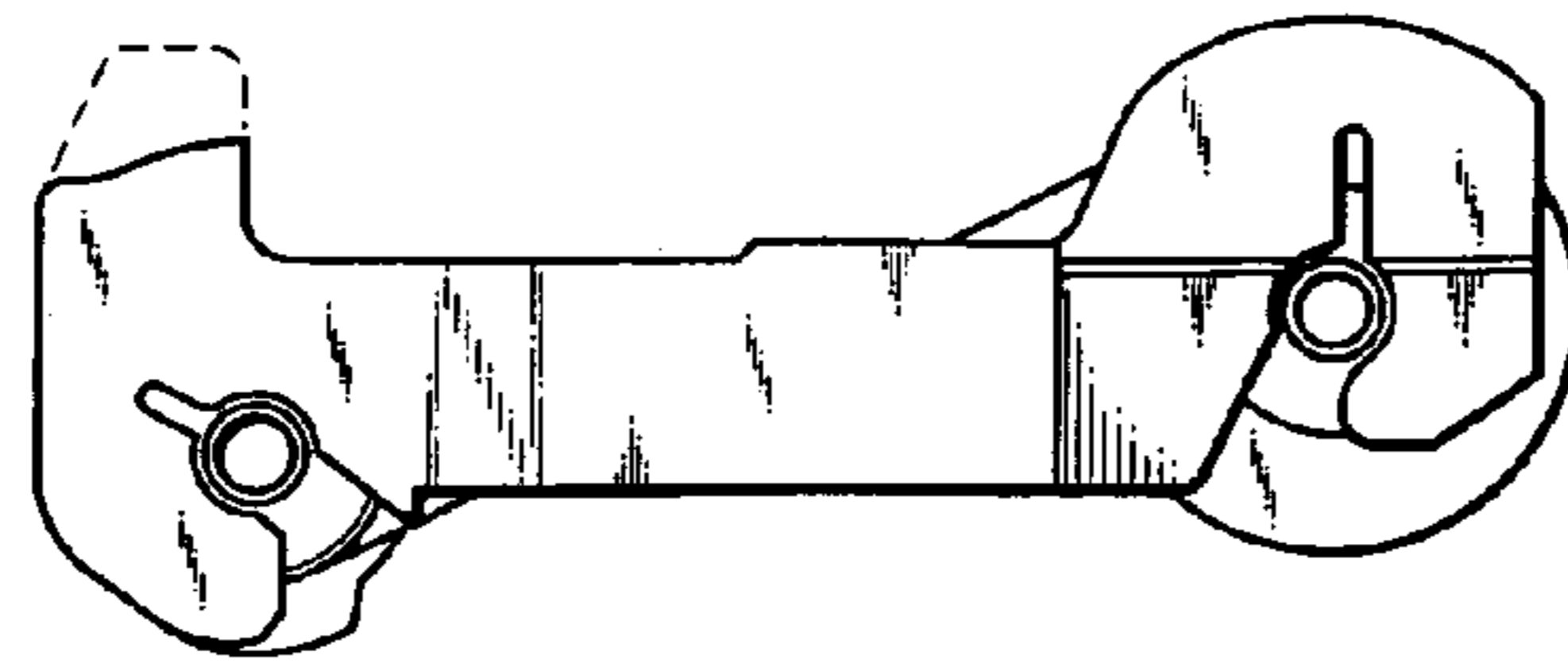


FIG. 5

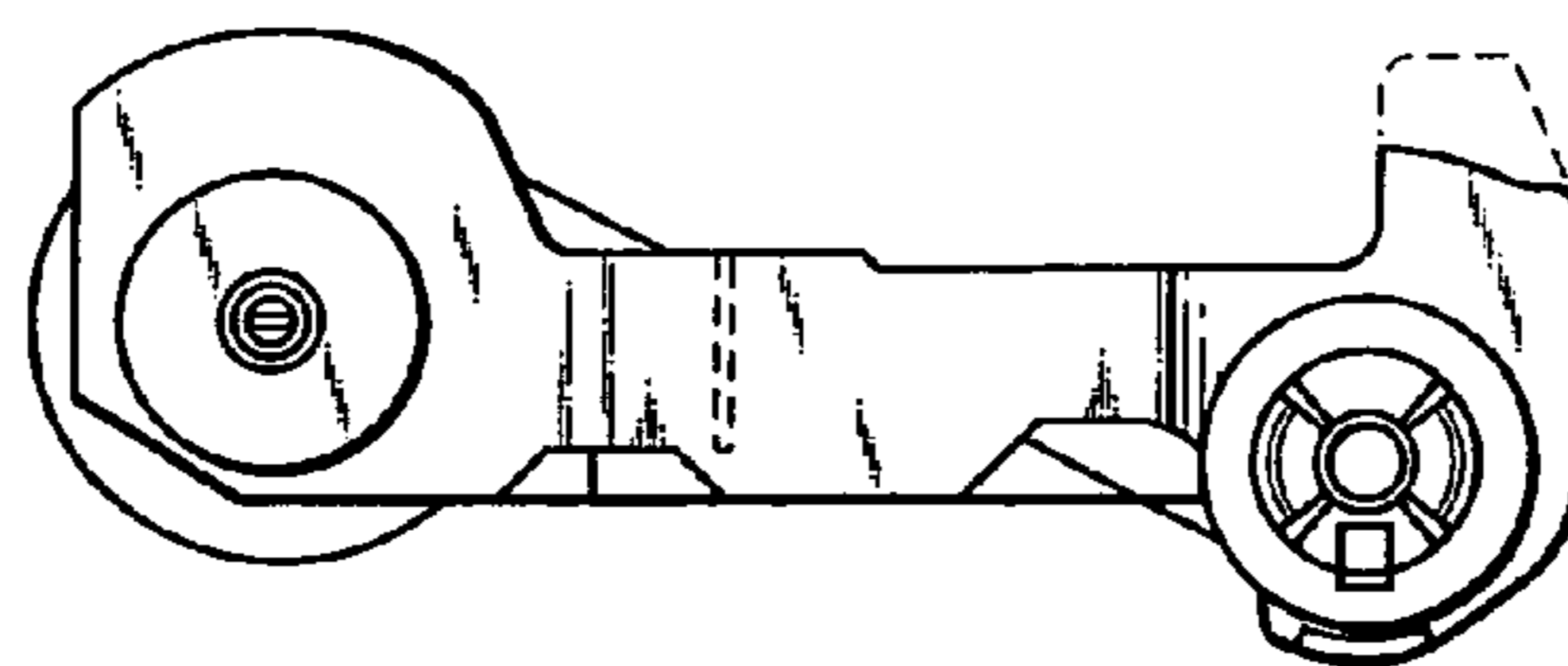


FIG. 6

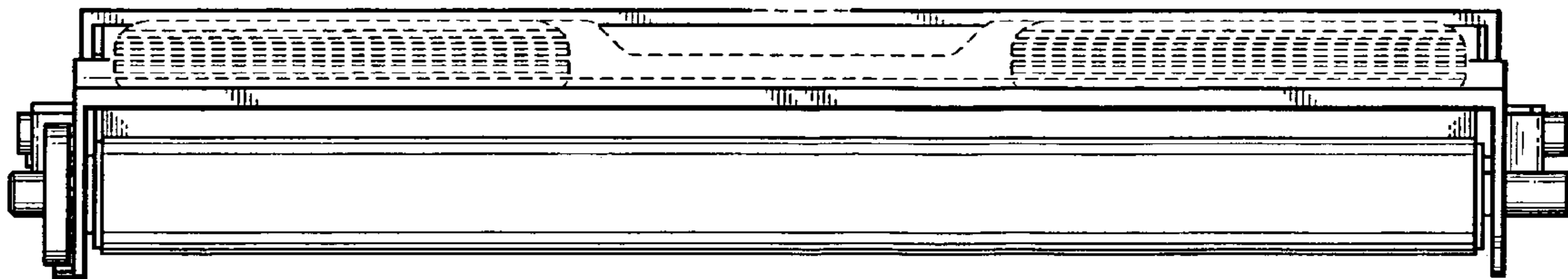


FIG. 7

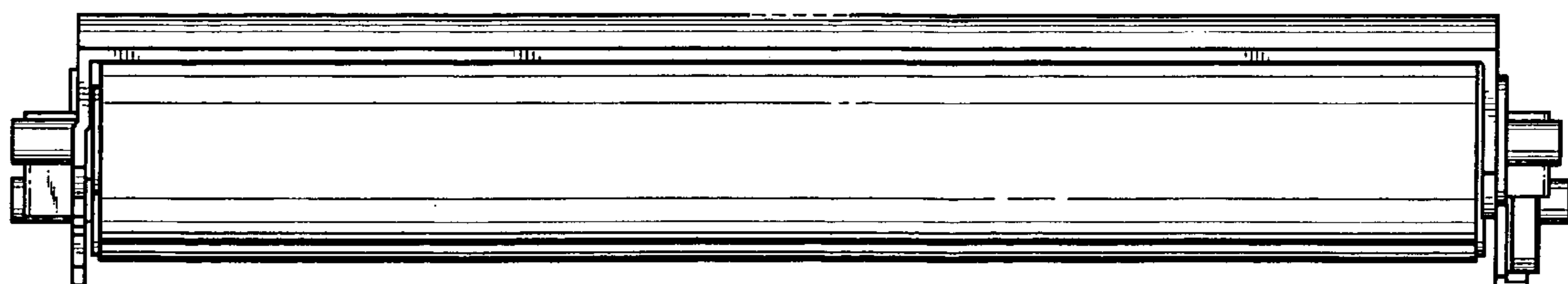


FIG. 8