



US00D545866S

(12) **United States Design Patent**
Eroma

(10) **Patent No.:** **US D545,866 S**

(45) **Date of Patent:** **** Jul. 3, 2007**

(54) **FLASH APPARATUS FOR A HANDSET**

D342,753 S * 12/1993 Haga D16/239
D471,927 S * 3/2003 Kim D16/208

(75) Inventor: **Valtteri Eroma**, Helsinki (FI)

* cited by examiner

(73) Assignee: **Nokia Corporation**, Espoo (FI)

Primary Examiner—Ian Simmons

Assistant Examiner—W. Laymon

(**) Term: **14 Years**

(74) *Attorney, Agent, or Firm*—Banner & Witcoff, Ltd.

(21) Appl. No.: **29/219,162**

(57) **CLAIM**

(22) Filed: **Dec. 14, 2004**

The ornamental design for a flash apparatus for a handset, as shown and described.

(51) **LOC (8) Cl.** **16-05**

(52) **U.S. Cl.** **D16/239; D16/208; D16/209; D16/250**

DESCRIPTION

(58) **Field of Classification Search** D14/240;
D16/208, 209, 237, 239, 240, 243, 245, 250,
D16/200–205; 354/126; 362/8, 175, 182,
362/3, 16–18; 396/176–178, 179, 317, 353,
396/544, 155, 180, 182

FIG. 1 is a rear view of a flash apparatus for a handset showing my new design;

FIG. 2 is a front view thereof;

FIG. 3 is a perspective rear view thereof;

FIG. 4 is a perspective front view thereof;

FIG. 5 is a perspective top view thereof;

FIG. 6 is a right side view thereof;

FIG. 7 is a left side view thereof; and,

FIG. 8 is a bottom view thereof.

See application file for complete search history.

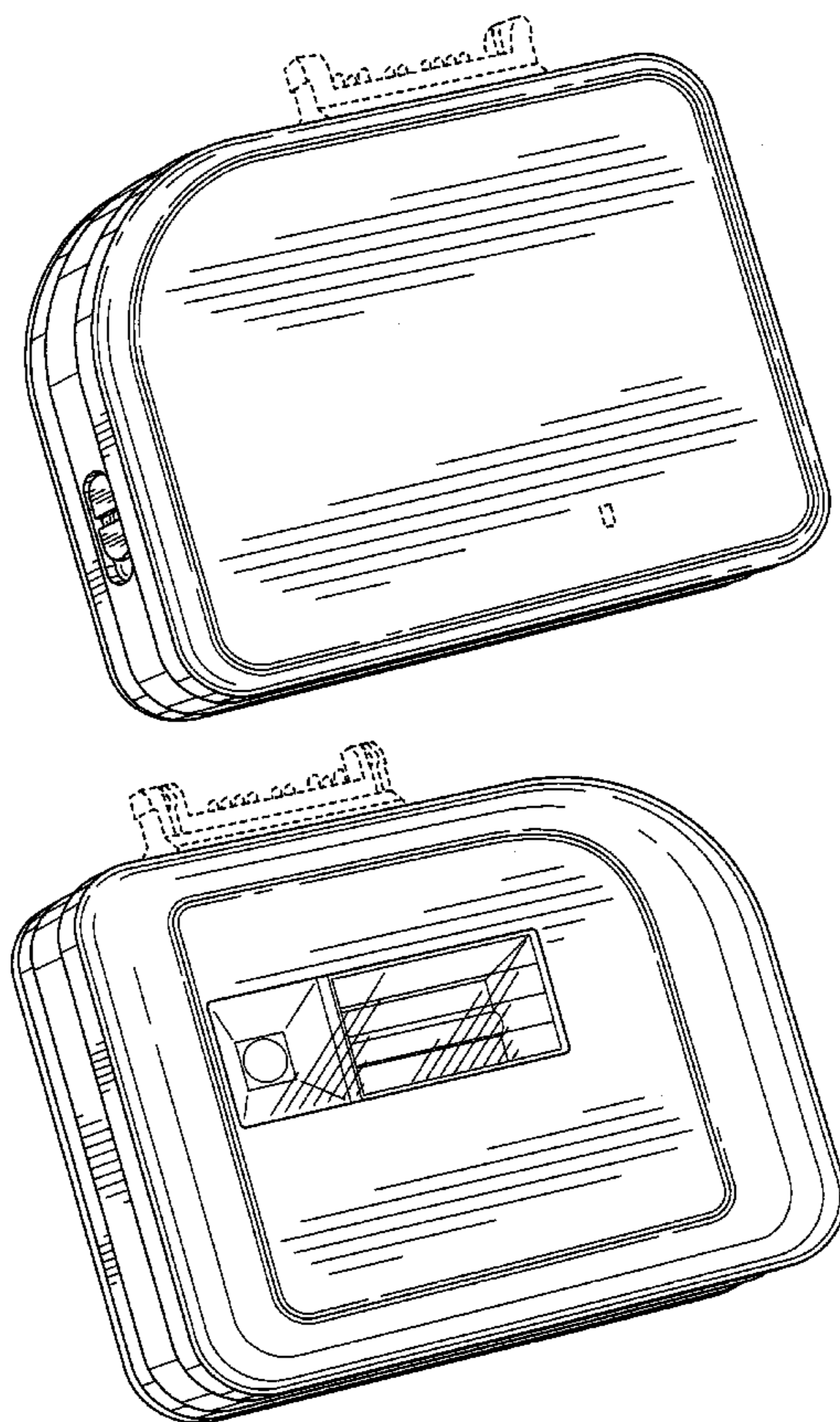
The broken lines shown in the Figures are for illustrative purposes only and form no part of the claimed design.

(56) **References Cited**

U.S. PATENT DOCUMENTS

3,444,798	A	*	5/1969	Mayr et al.	396/155
D243,082	S	*	1/1977	Kramer et al.	D16/239
D243,327	S	*	2/1977	Beeren	D16/239
D250,267	S	*	11/1978	Prochnow et al.	D16/239
D263,720	S	*	4/1982	Takematsu	D16/240
D271,210	S	*	11/1983	Shull	D16/239
D303,266	S	*	9/1989	Kato	D16/239

1 Claim, 6 Drawing Sheets



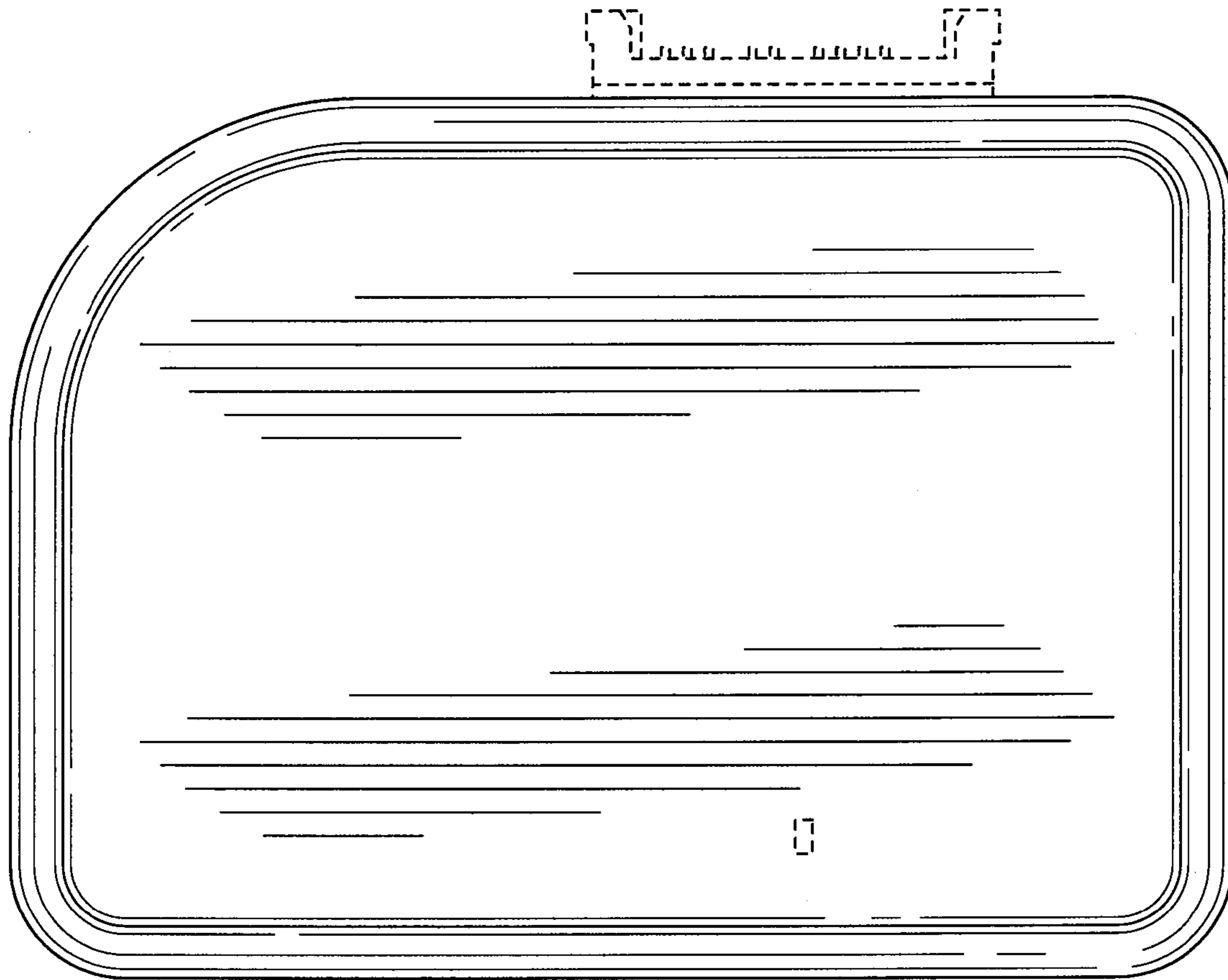


FIG. 1

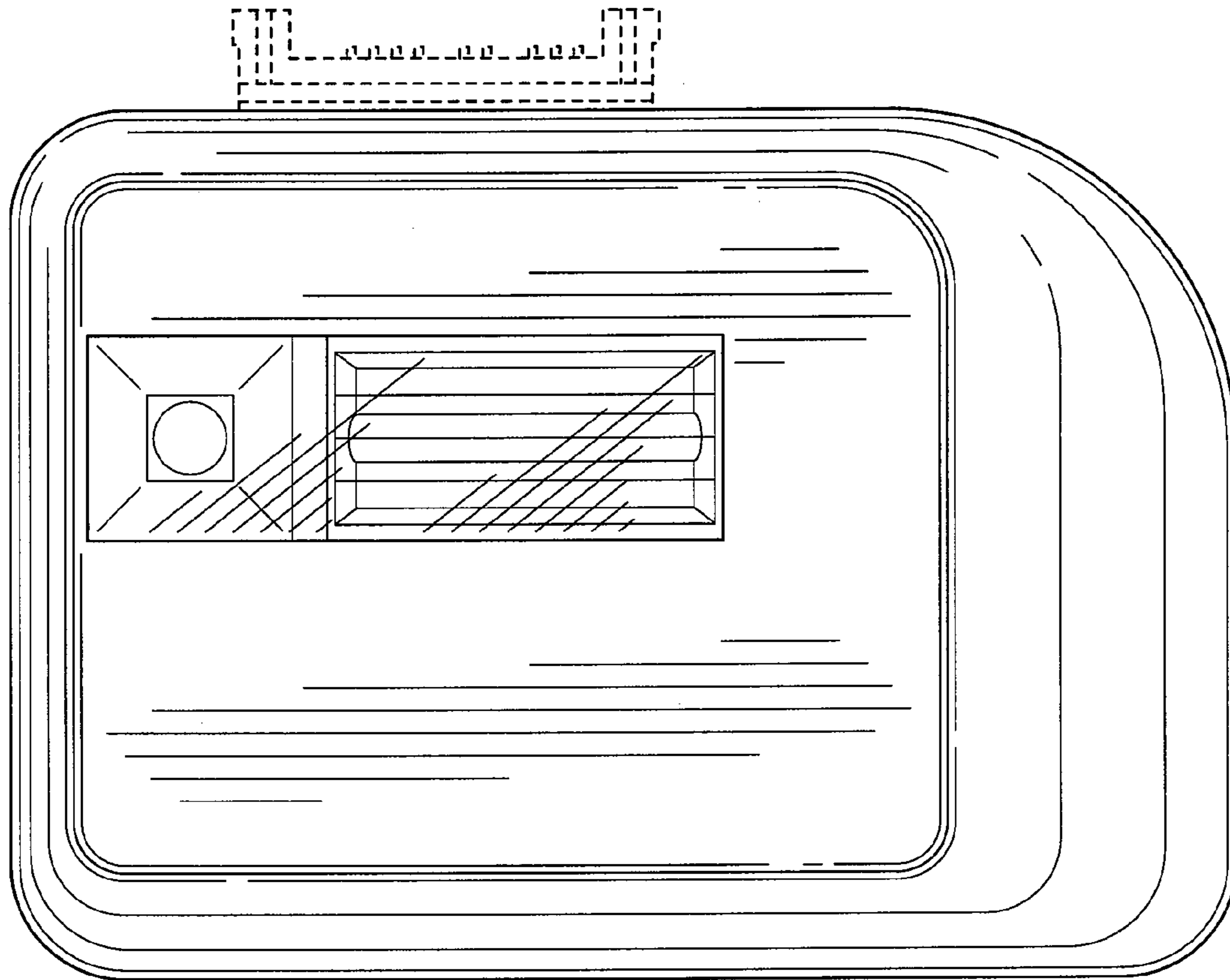


FIG. 2

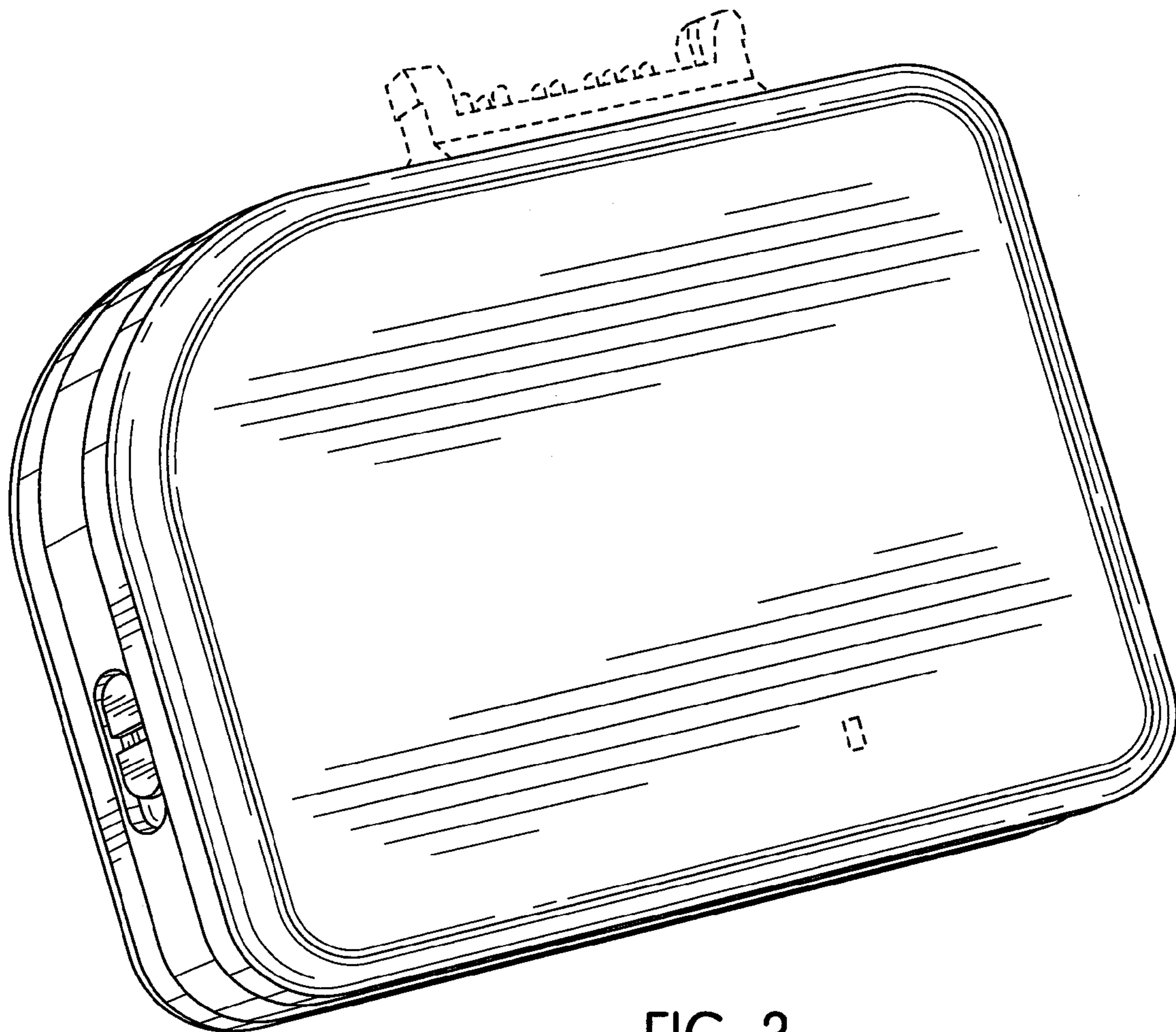


FIG. 3

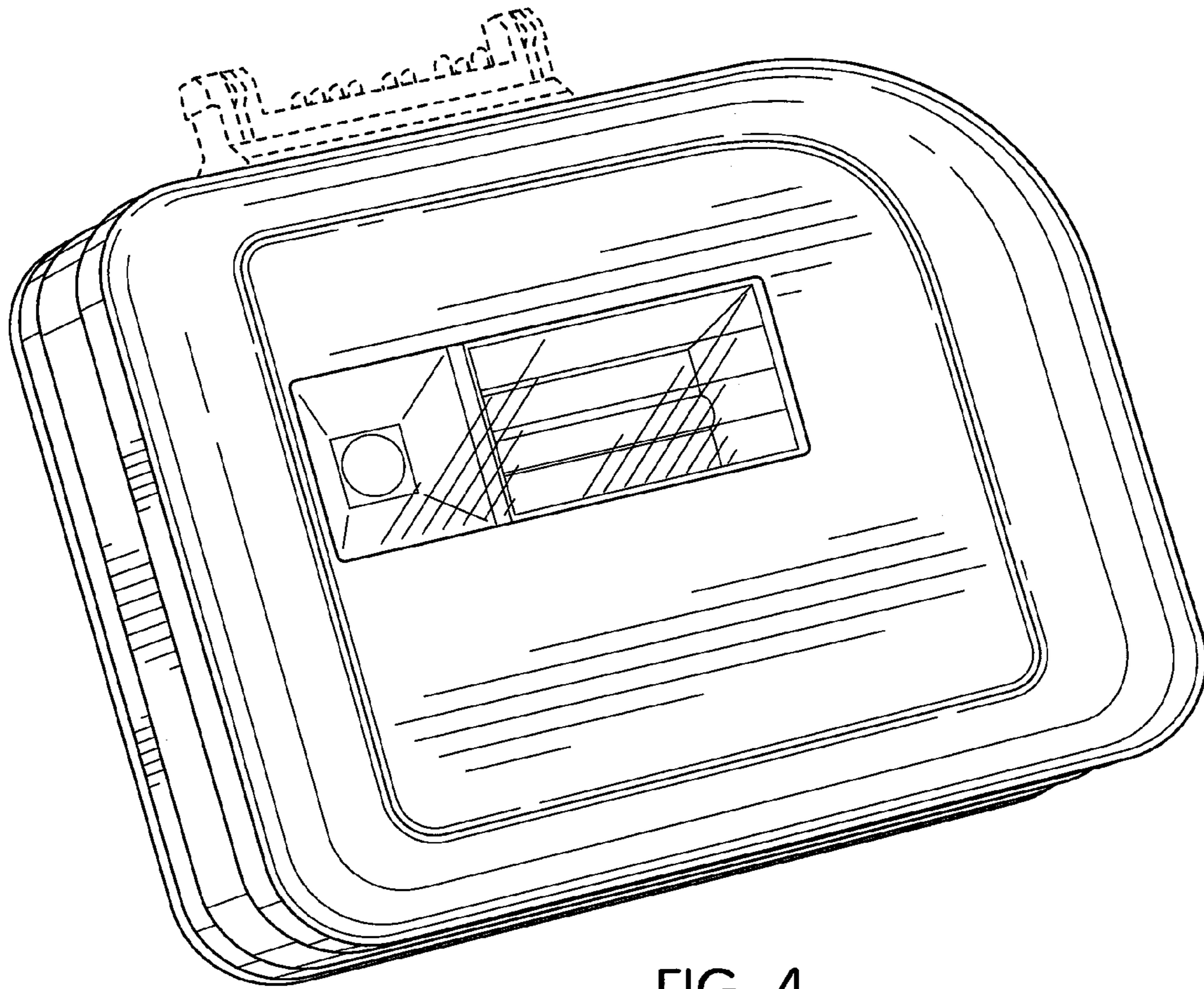


FIG. 4

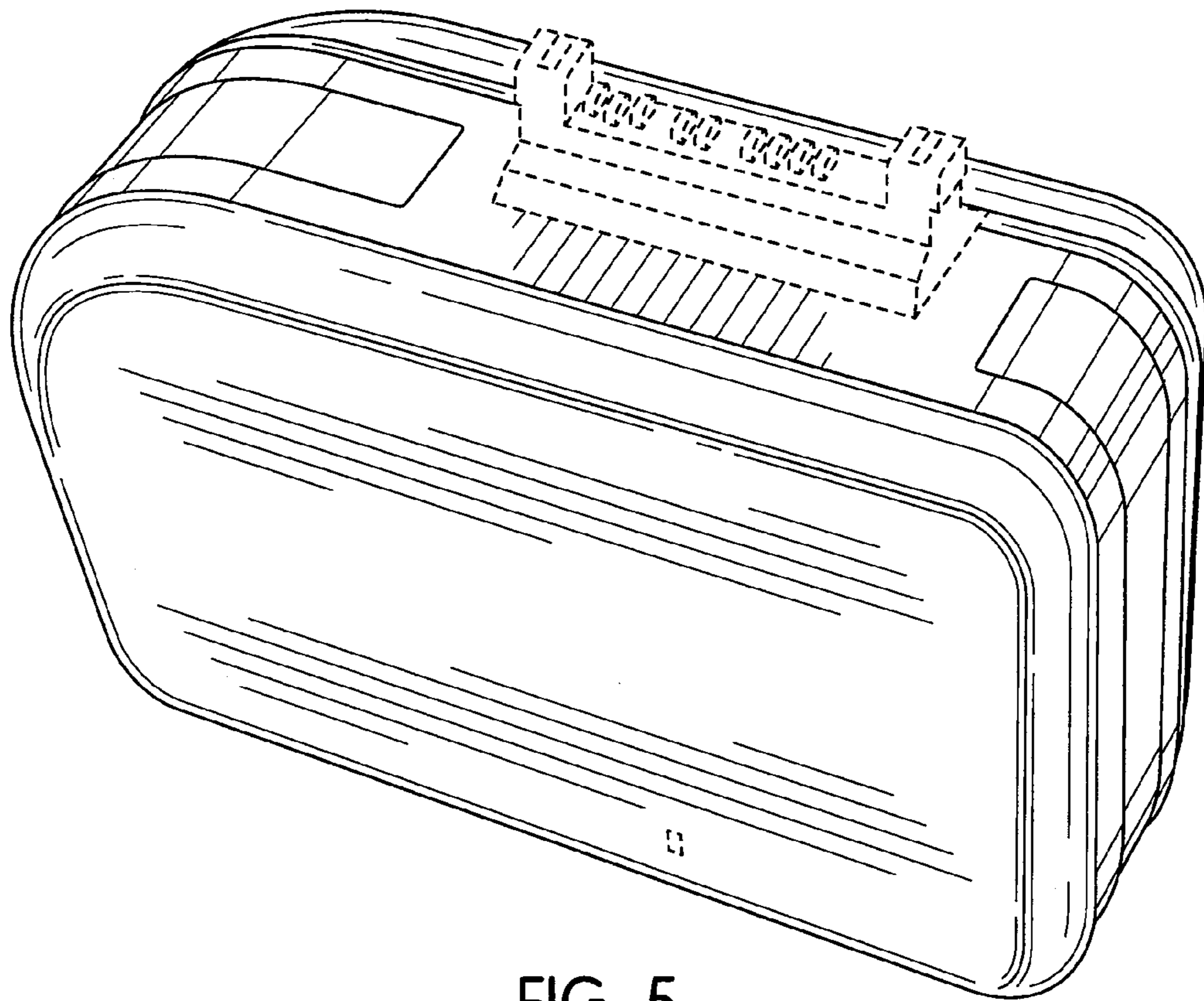


FIG. 5

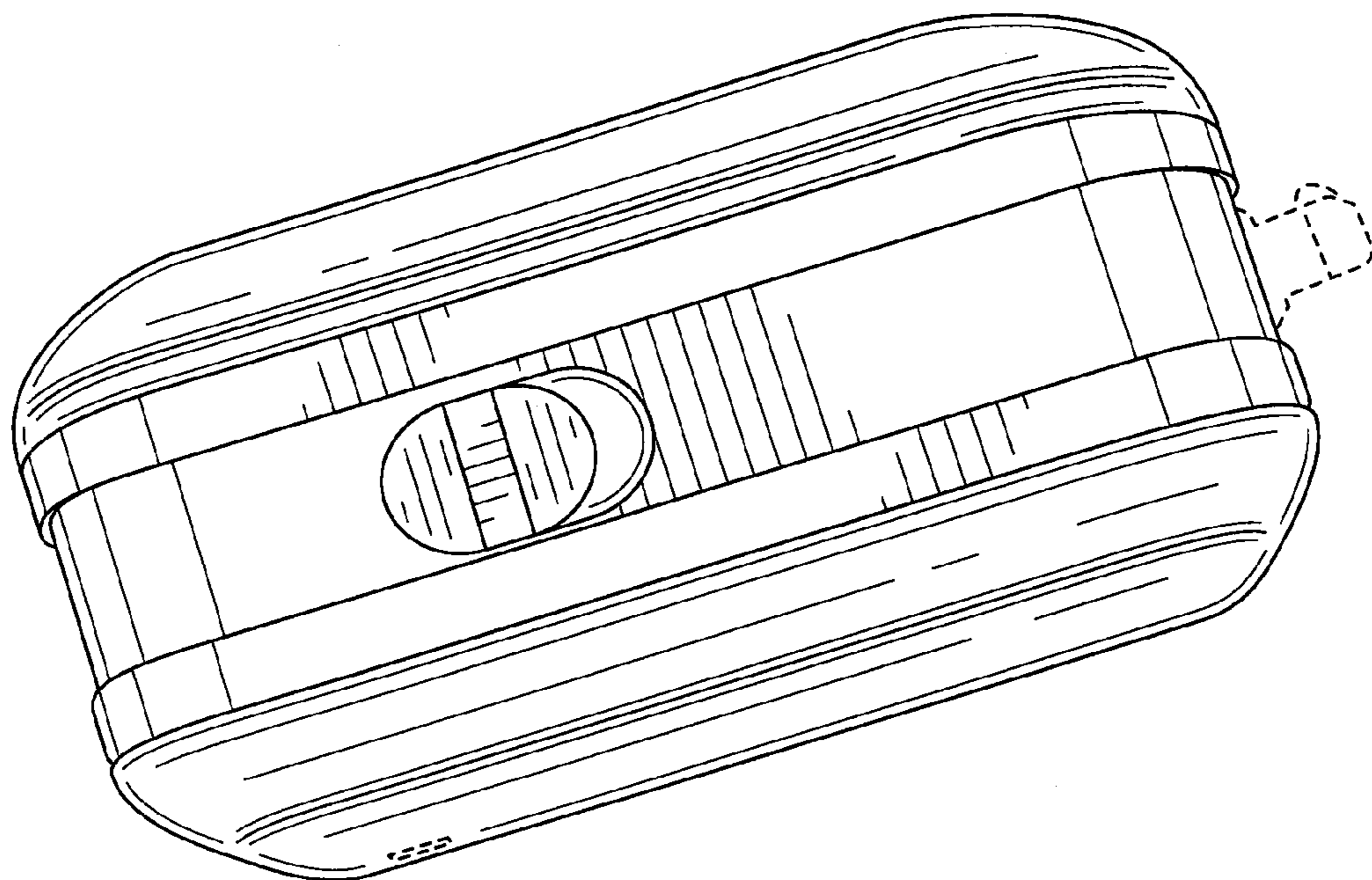


FIG. 6

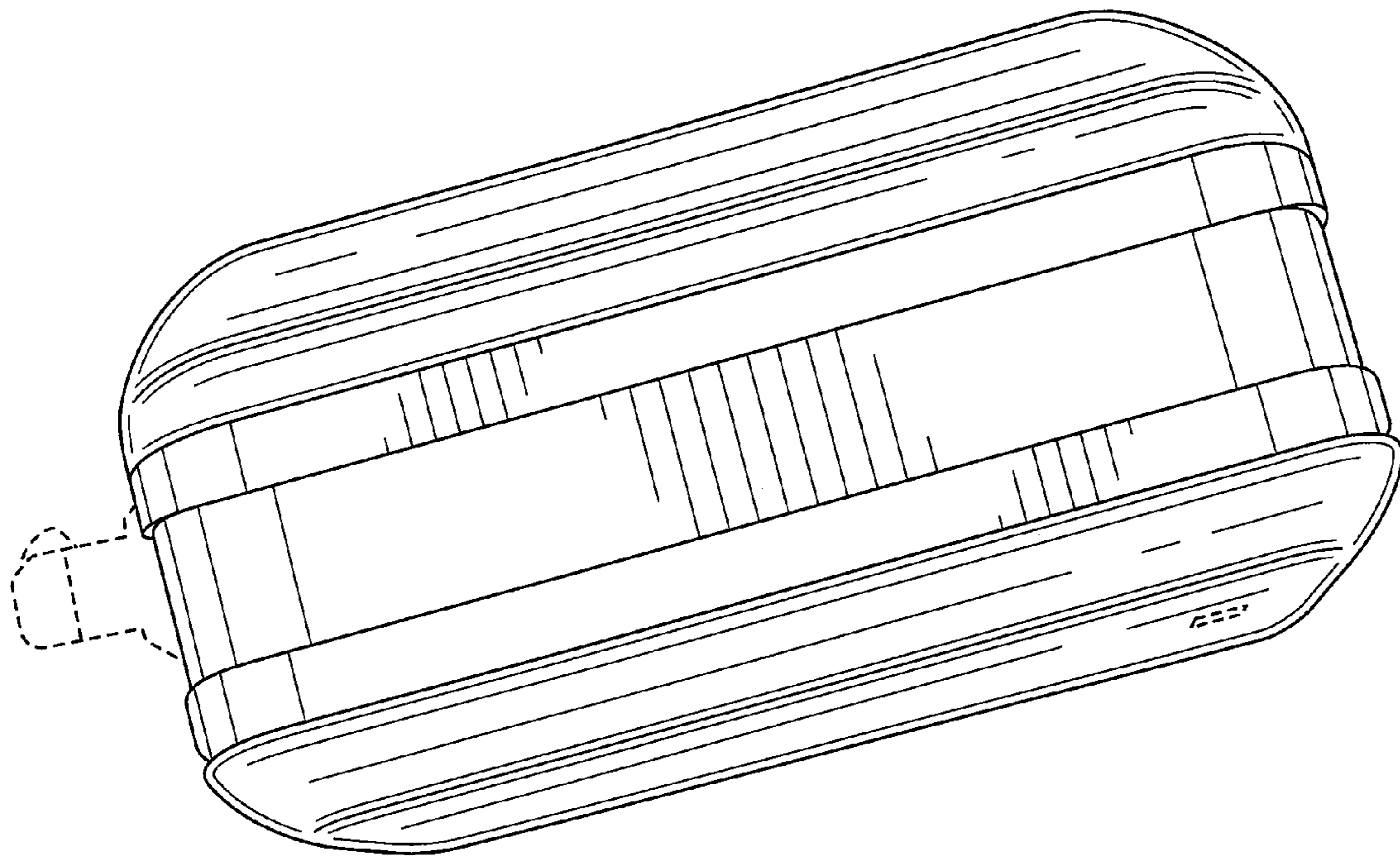


FIG. 7

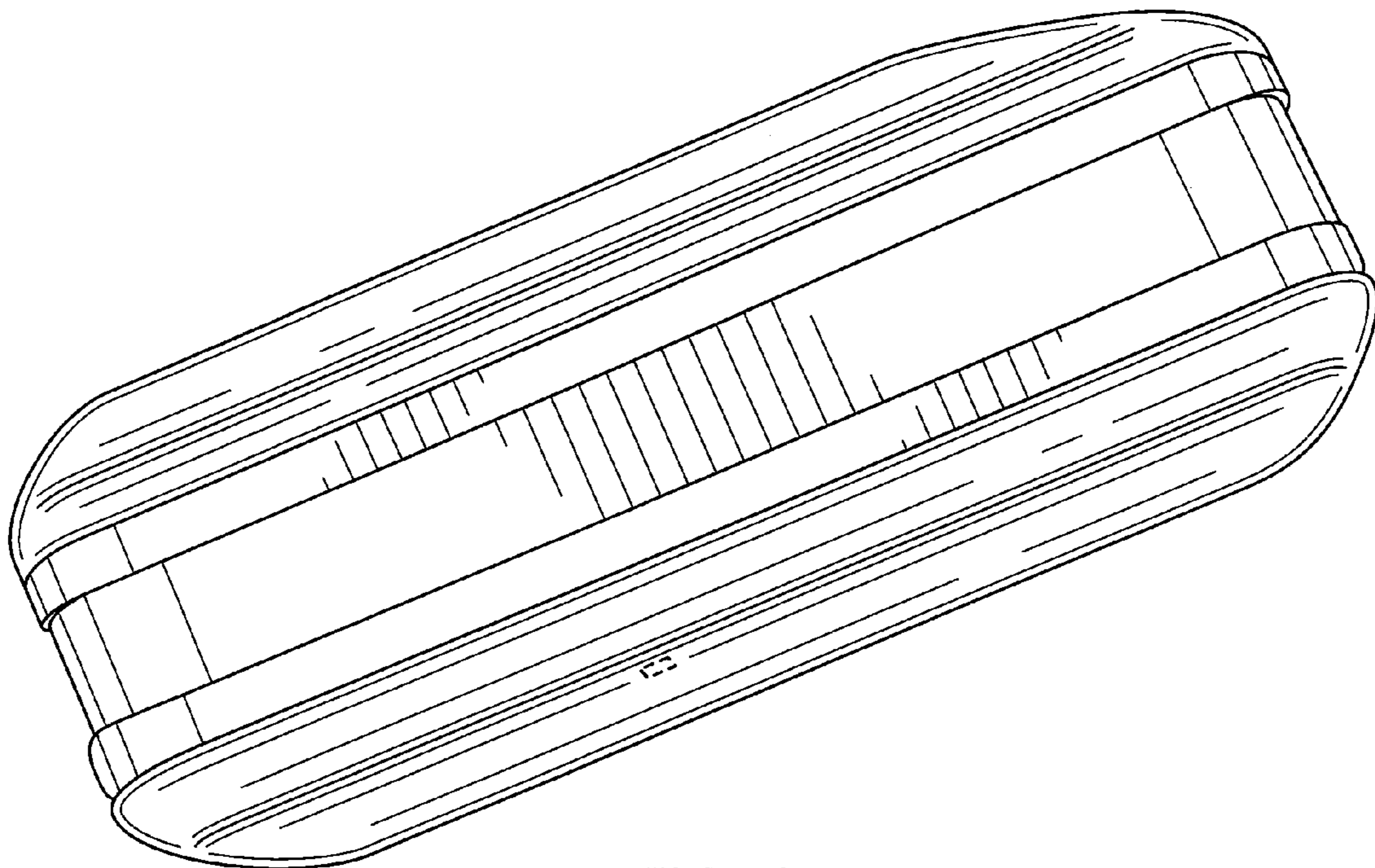


FIG. 8