

US00D545865S

(12) **United States Design Patent** (10) **Patent No.:** **US D545,865 S**
Azuma et al. (45) **Date of Patent:** **** Jul. 3, 2007**

(54) **LCD VIDEO PROJECTOR**
(75) Inventors: **Sadayoshi Azuma**, Kyoto (JP); **Takashi Tsukahara**, Osaka (JP)
(73) Assignee: **Matsushita Electric Industrial Co., Ltd.**, Osaka (JP)

D492,338 S 6/2004 Ooshima
6,793,343 B2 * 9/2004 Nakano et al. 353/119
D498,781 S 11/2004 Azuma et al.
6,869,192 B2 * 3/2005 Hamada 353/119
D506,218 S * 6/2005 Pininfarina D16/230

(**) Term: **14 Years**
(21) Appl. No.: **29/252,068**

FOREIGN PATENT DOCUMENTS

JP D1201437 4/2004
JP D1221002 10/2004
JP D1221120 10/2004
JP D1239925 5/2005

(22) Filed: **Jan. 18, 2006**

OTHER PUBLICATIONS

(30) **Foreign Application Priority Data**
Sep. 15, 2005 (JP) 2005-026749

Hitachi catalog, "CP-RX60J", a Hitachi publication, Jul. 2005, 2 pages.

* cited by examiner

(51) **LOC (8) Cl.** **16-02**
(52) **U.S. Cl.** **D16/230; D16/221; D16/225**
(58) **Field of Classification Search** D16/205,
D16/208, 213, 221, 225, 230, 231, 234; D21/514;
349/5, 7, 8, 9, 58; 352/34, 242; 353/115,
353/119, 122

Primary Examiner—Ian Simmons

Assistant Examiner—W. Laymon

(74) *Attorney, Agent, or Firm*—Brinks Hofer Gilson & Lione

See application file for complete search history.

(57) **CLAIM**

We claim the ornamental design for a LCD video projector, as shown and described.

(56) **References Cited**

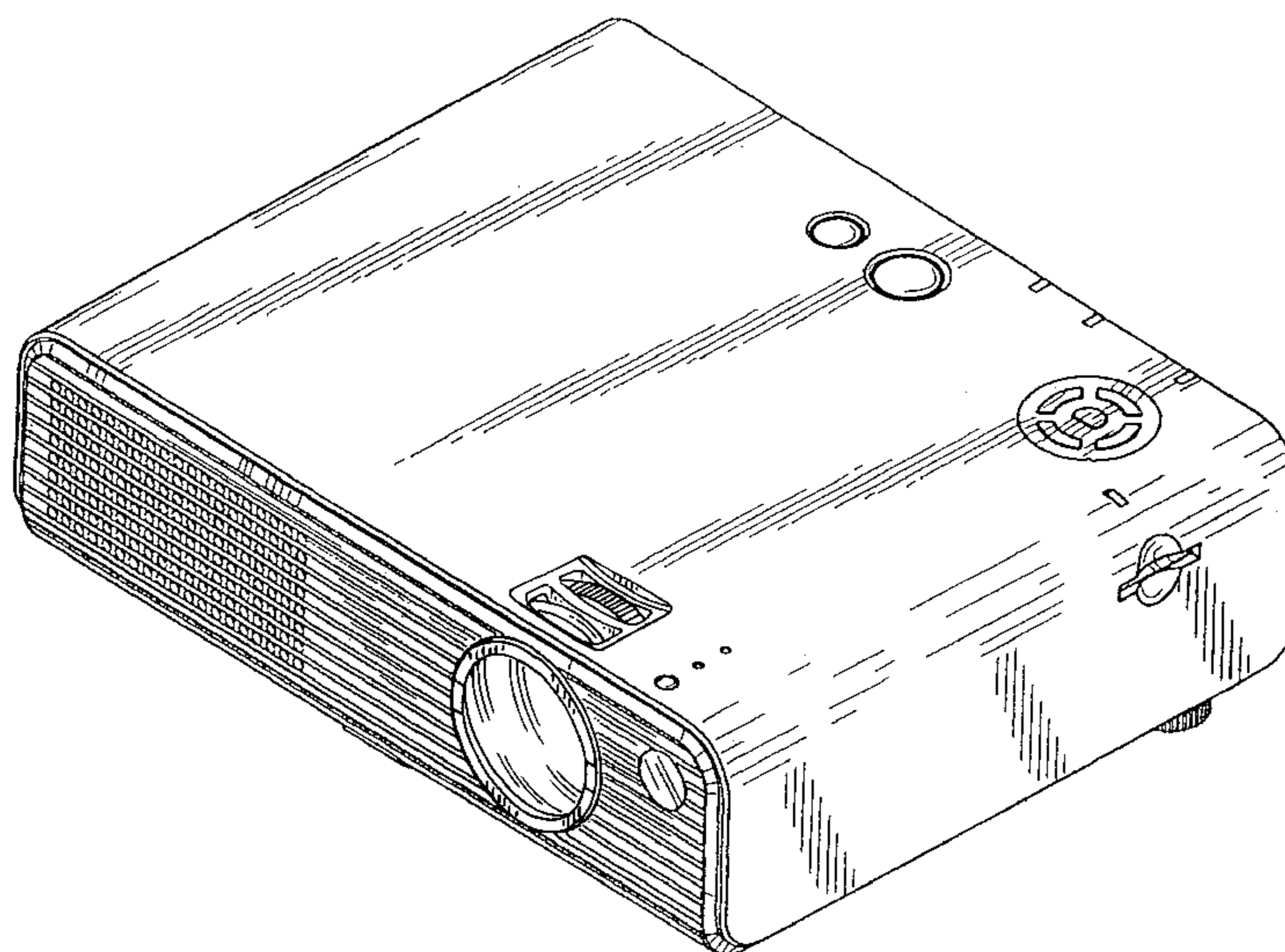
U.S. PATENT DOCUMENTS

D387,795 S 12/1997 Sakamoto
D420,032 S 2/2000 Peng et al.
D421,037 S 2/2000 Kawamoto et al.
D442,983 S 5/2001 Goto et al.
D443,631 S 6/2001 Goto et al.
D449,060 S 10/2001 Saeki et al.
D450,076 S 11/2001 Fujimaki
D463,474 S 9/2002 Kawashima
D463,476 S 9/2002 Takizawa
D475,389 S 6/2003 Kurokawa
D477,833 S 7/2003 Kurokawa et al.
D479,261 S * 9/2003 Kawasaki et al. D16/230
D482,716 S 11/2003 Azuma et al.
D491,973 S * 6/2004 Morishita et al. D16/230

DESCRIPTION

FIG. 1 is a top perspective view of a LCD video projector showing our new design;
FIG. 2 is a front view thereof;
FIG. 3 is a first side view thereof;
FIG. 4 is an opposite that shown in FIG. 3;
FIG. 5 is a top view thereof;
FIG. 6 is a rear view thereof; and,
FIG. 7 is a bottom view thereof.

1 Claim, 4 Drawing Sheets



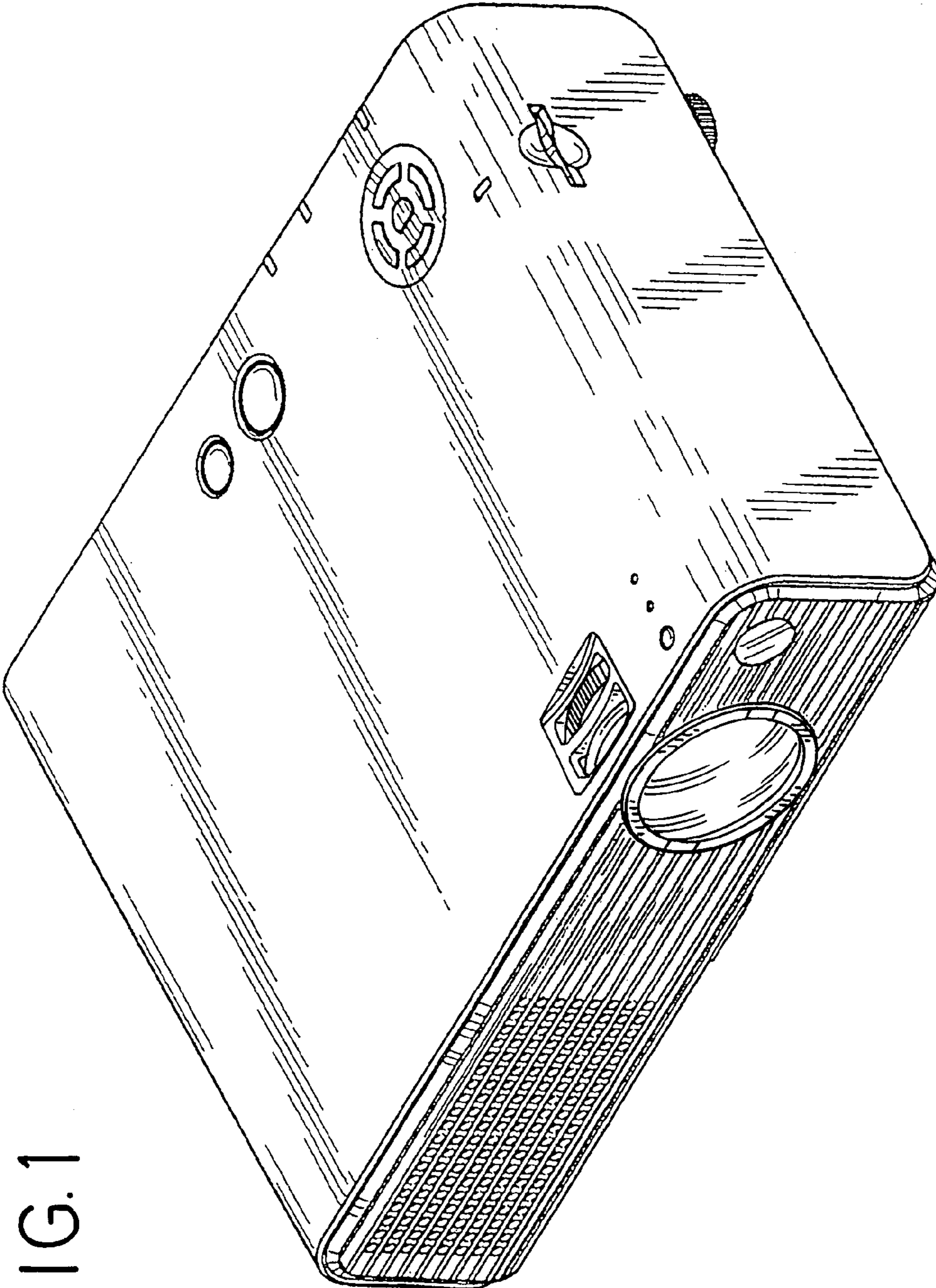


FIG. 1

FIG. 2

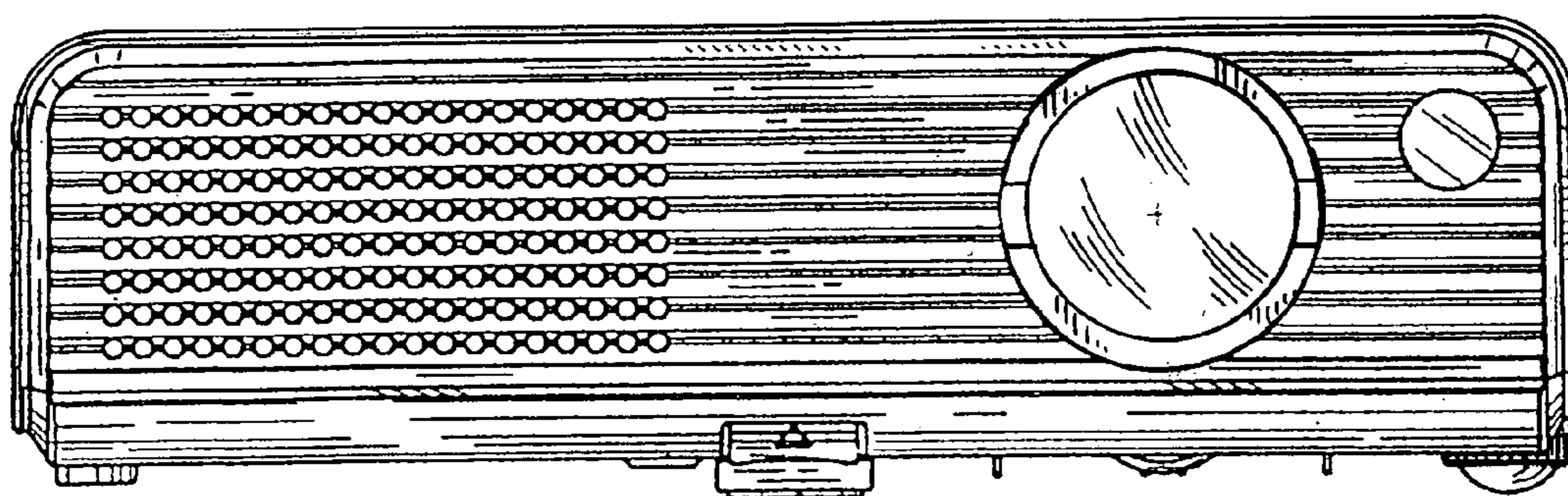


FIG. 3

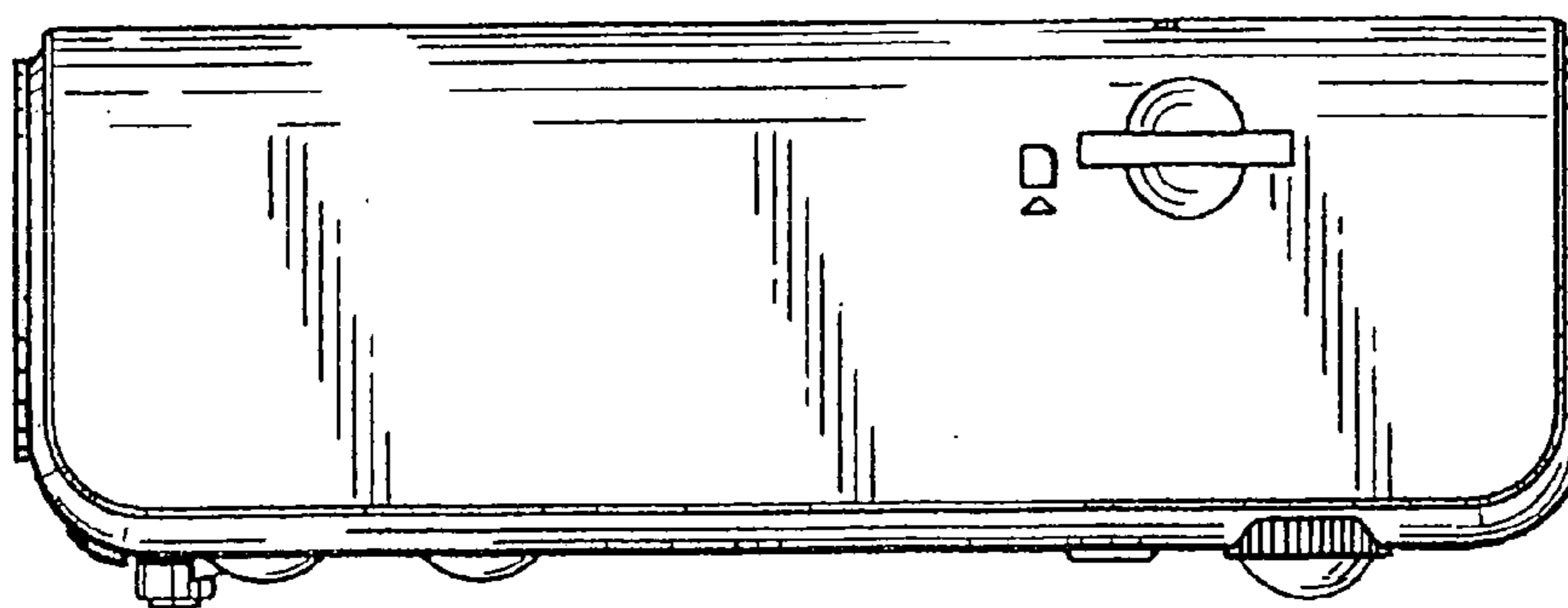


FIG. 4

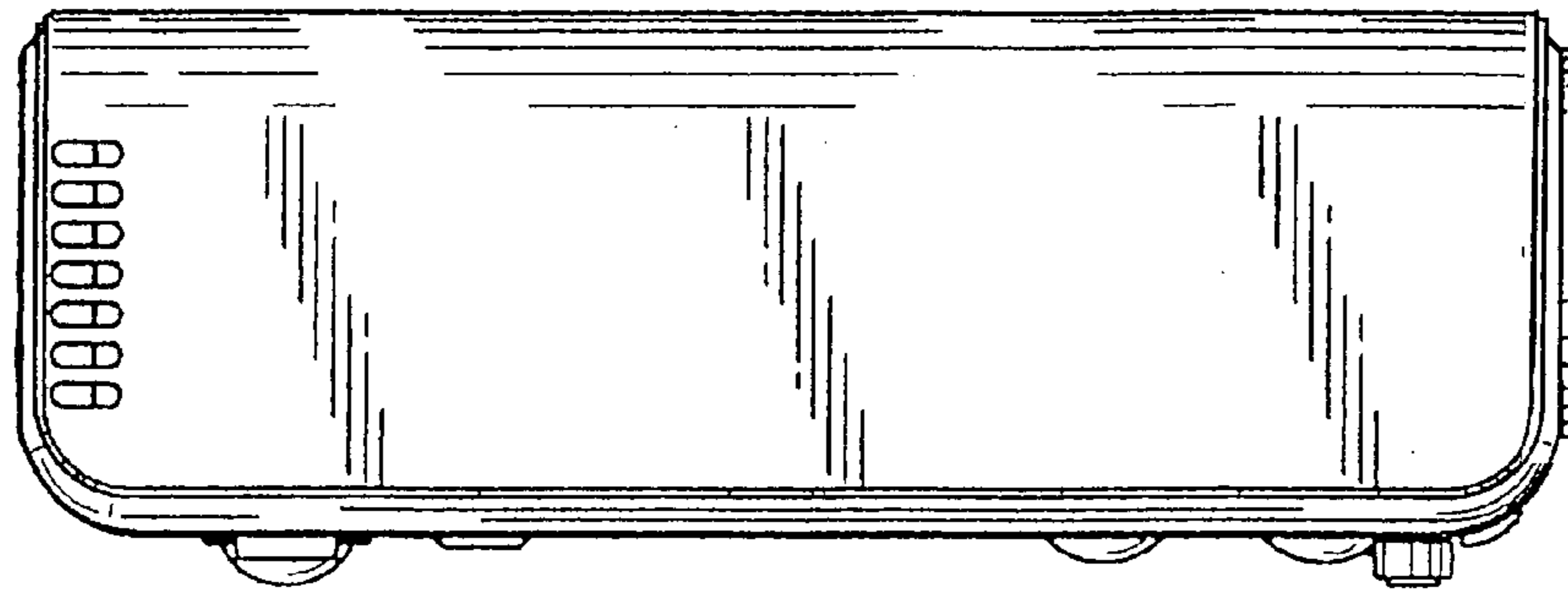


FIG. 5

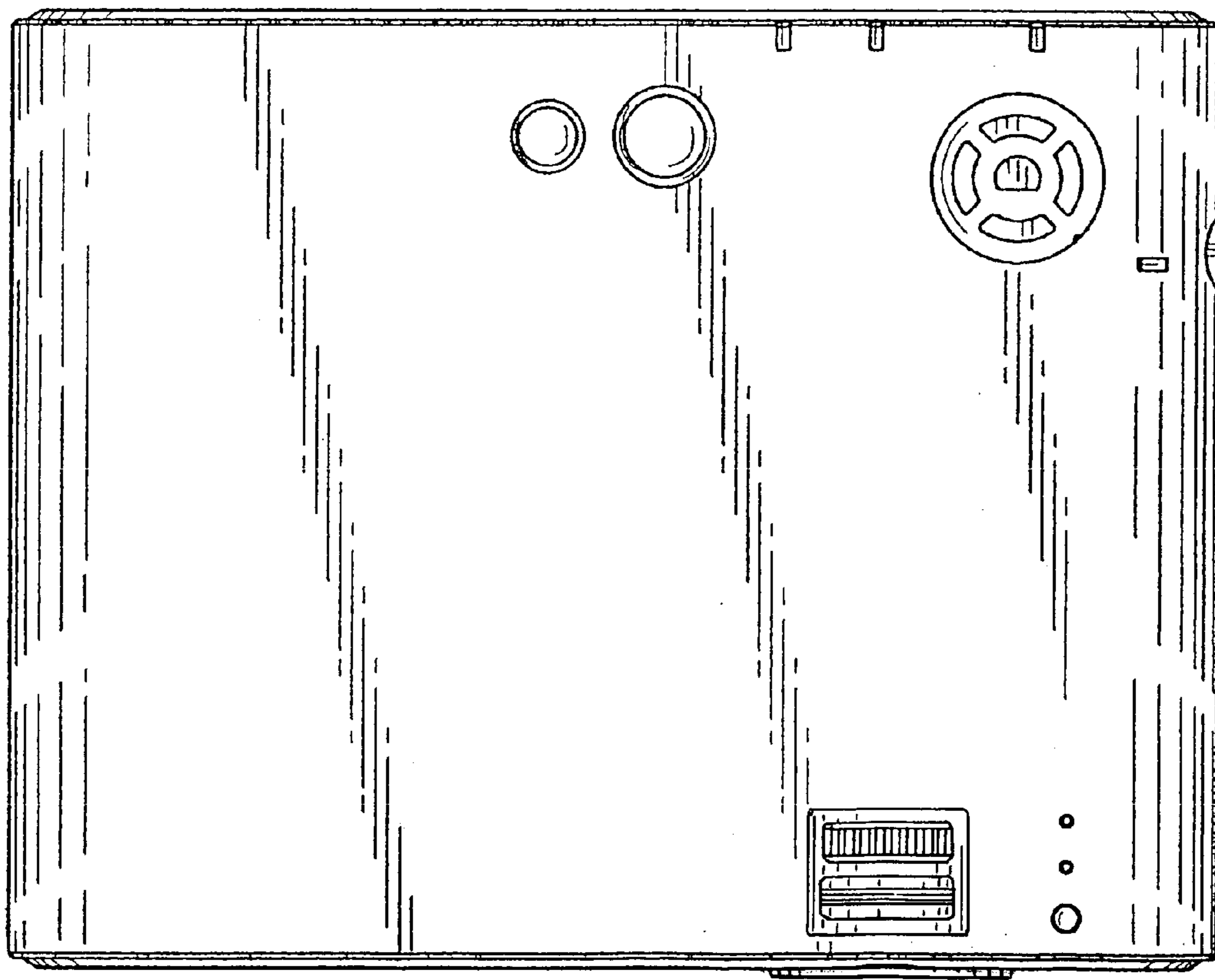


FIG. 6

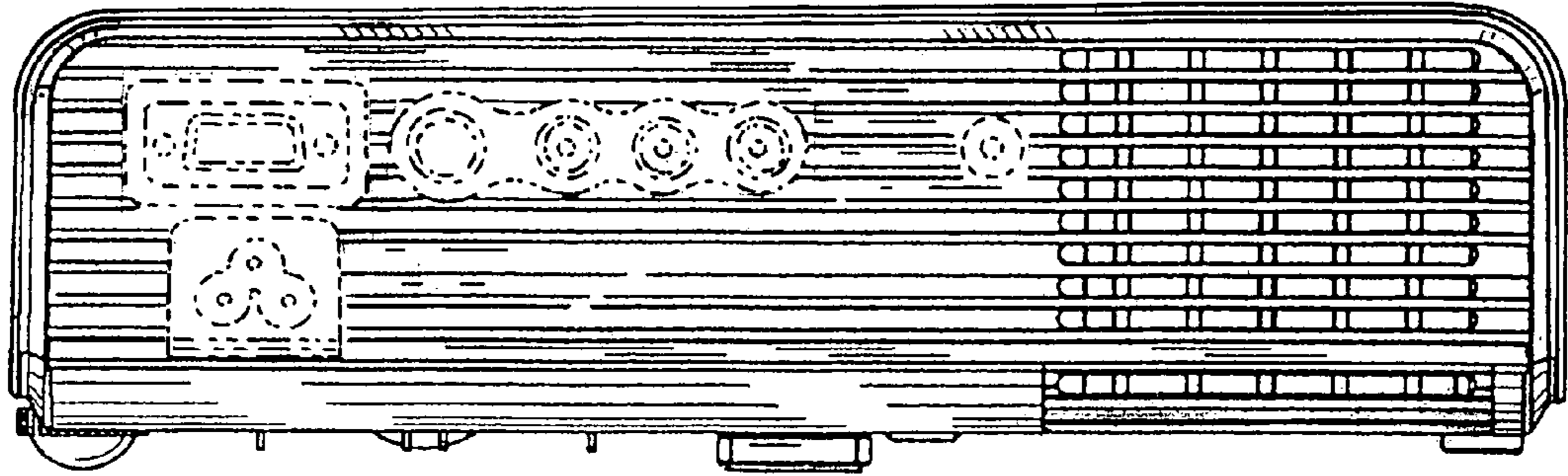


FIG. 7

