

US00D545863S

(12) **United States Design Patent**
Kawashima

(10) **Patent No.:** **US D545,863 S**
(45) **Date of Patent:** **** Jul. 3, 2007**

(54) **LIQUID-CRYSTAL PROJECTOR**

D511,353 S * 11/2005 Kawashima D16/230

(75) Inventor: **Shosaku Kawashima**, Yokohama (JP)

FOREIGN PATENT DOCUMENTS

(73) Assignee: **Canon Kabushiki Kaisha**, Tokyo (JP)

JP D1236383 4/2005

(**) Term: **14 Years**

* cited by examiner

(21) Appl. No.: **29/240,996**

Primary Examiner—Ian Simmons

(22) Filed: **Oct. 24, 2005**

Assistant Examiner—W. Laymon

(30) **Foreign Application Priority Data**

(74) *Attorney, Agent, or Firm*—Fitzpatrick, Cella, Harper & Scinto

Aug. 22, 2005 (JP) 2005-024068

(57) **CLAIM**

(51) **LOC (8) Cl.** **16-02**

The ornamental design for a liquid-crystal projector, as shown and described.

(52) **U.S. Cl.** **D16/230**; D16/221; D16/225

DESCRIPTION

(58) **Field of Classification Search** D16/205,
D16/208, 213, 221, 225, 229, 230, 231, 234,
D16/235; D21/514; 349/5, 7, 8, 9, 58; 352/34,
352/242; 353/115, 119, 122

FIG. 1 is a front view of a liquid-crystal projector showing my new design;

See application file for complete search history.

FIG. 2 is a rear view thereof;

(56) **References Cited**

FIG. 3 is a top plan view thereof;

U.S. PATENT DOCUMENTS

FIG. 4 is a bottom plan view thereof;

D463,474 S 9/2002 Kawashima D16/230

FIG. 5 is a left side view thereof;

D480,408 S * 10/2003 Kawashima D16/230

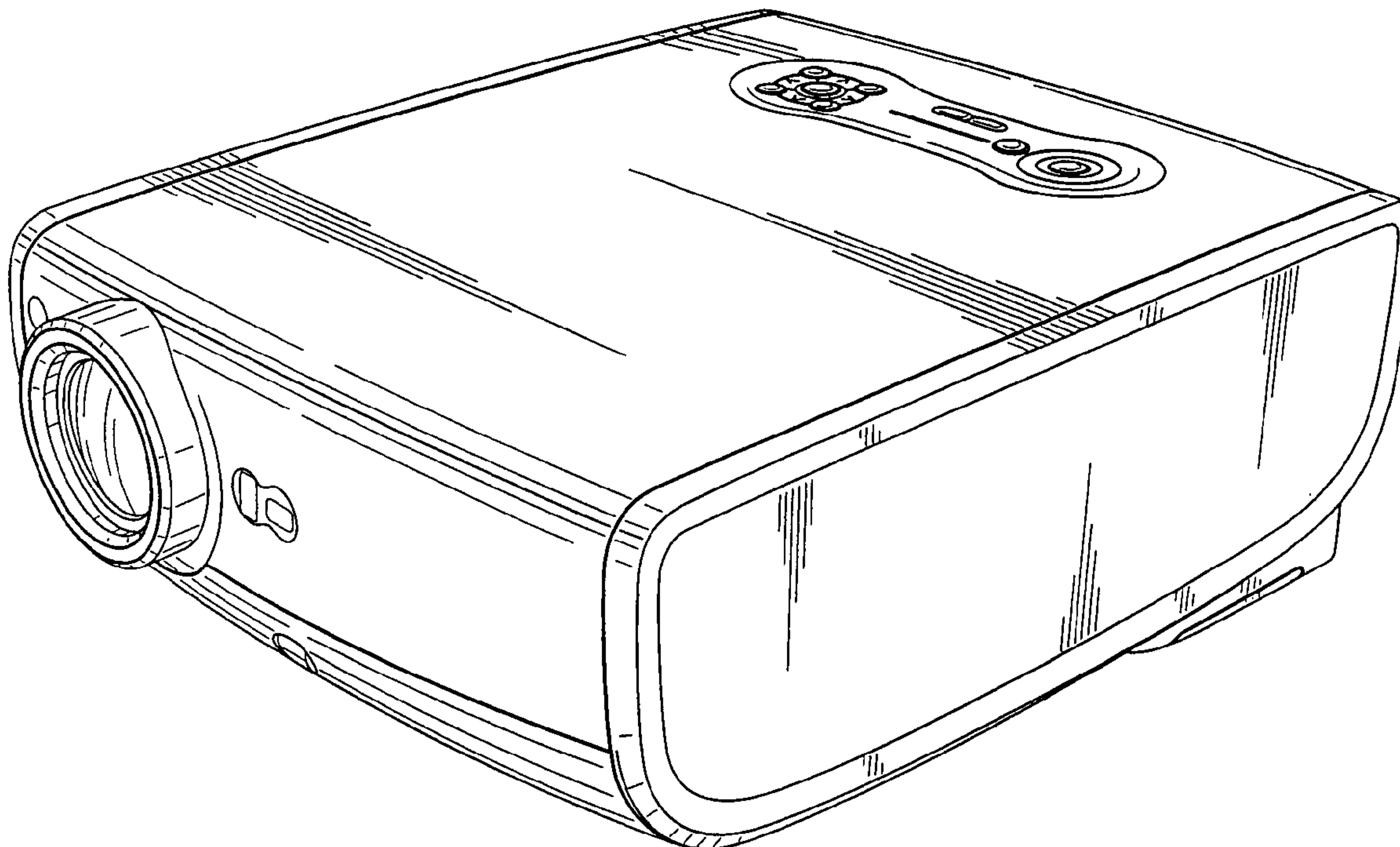
FIG. 6 is a right side view thereof; and,

D491,973 S * 6/2004 Morishita et al. D16/230

FIG. 7 is a perspective view thereof.

D498,781 S * 11/2004 Azuma et al. D16/230

1 Claim, 5 Drawing Sheets



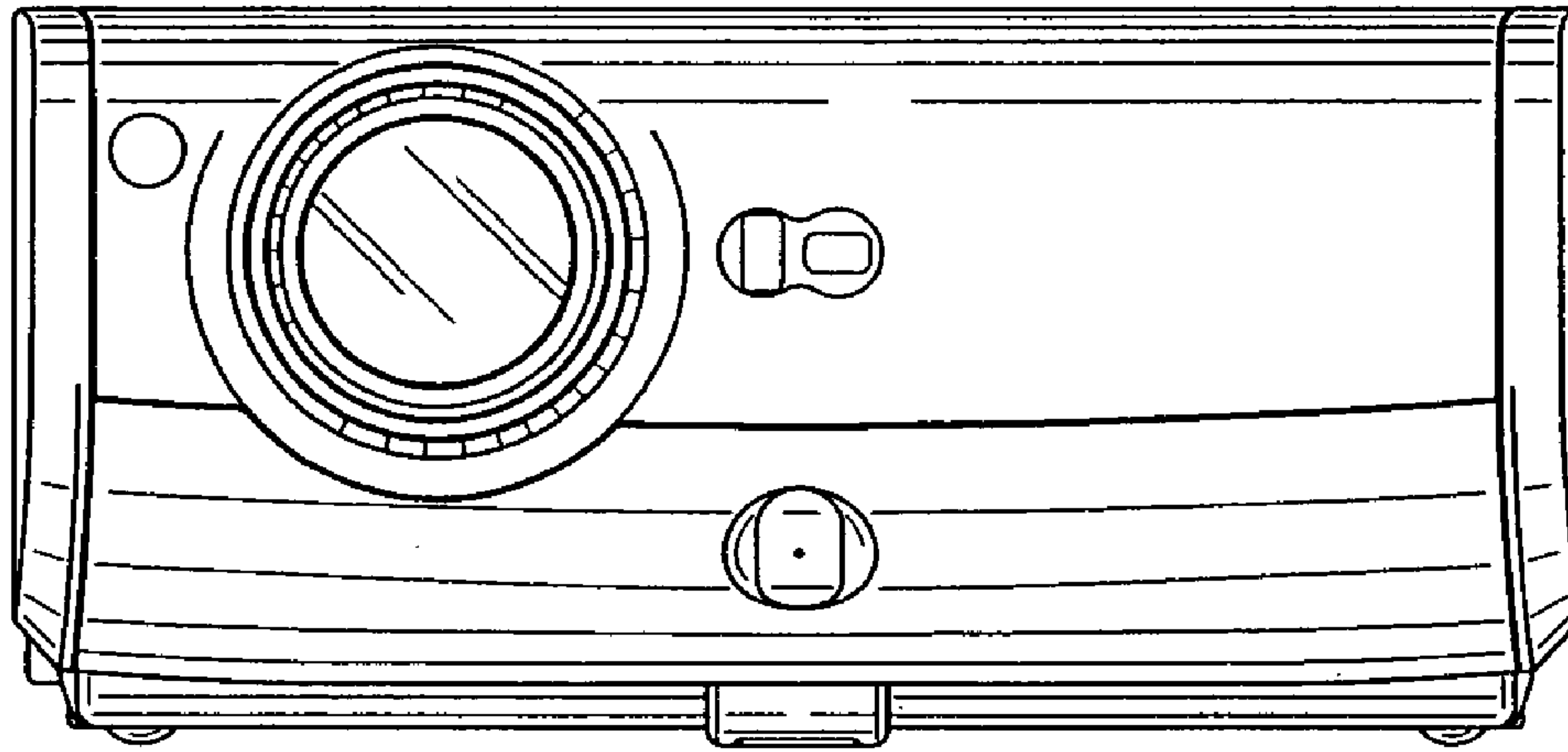


FIG. 1

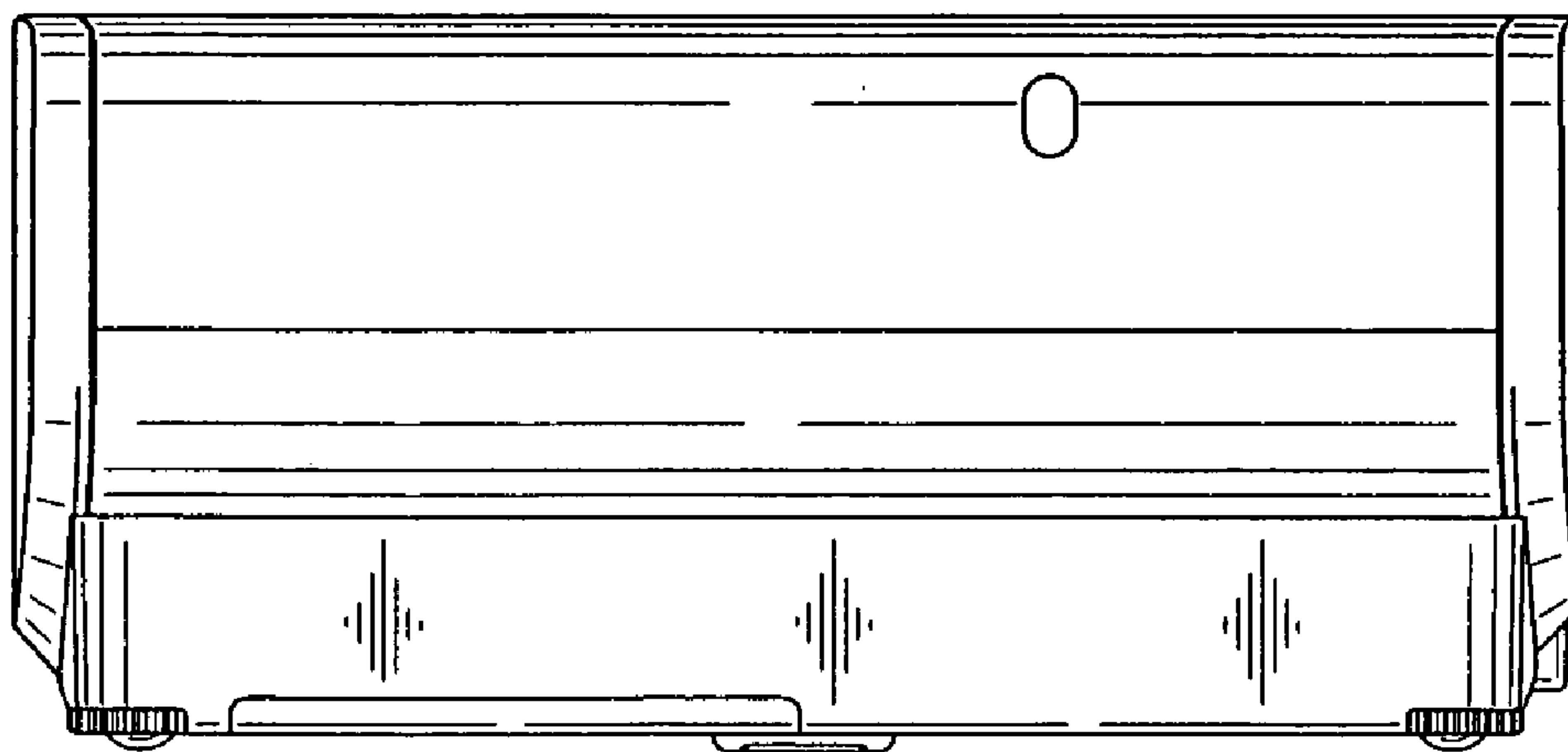


FIG. 2

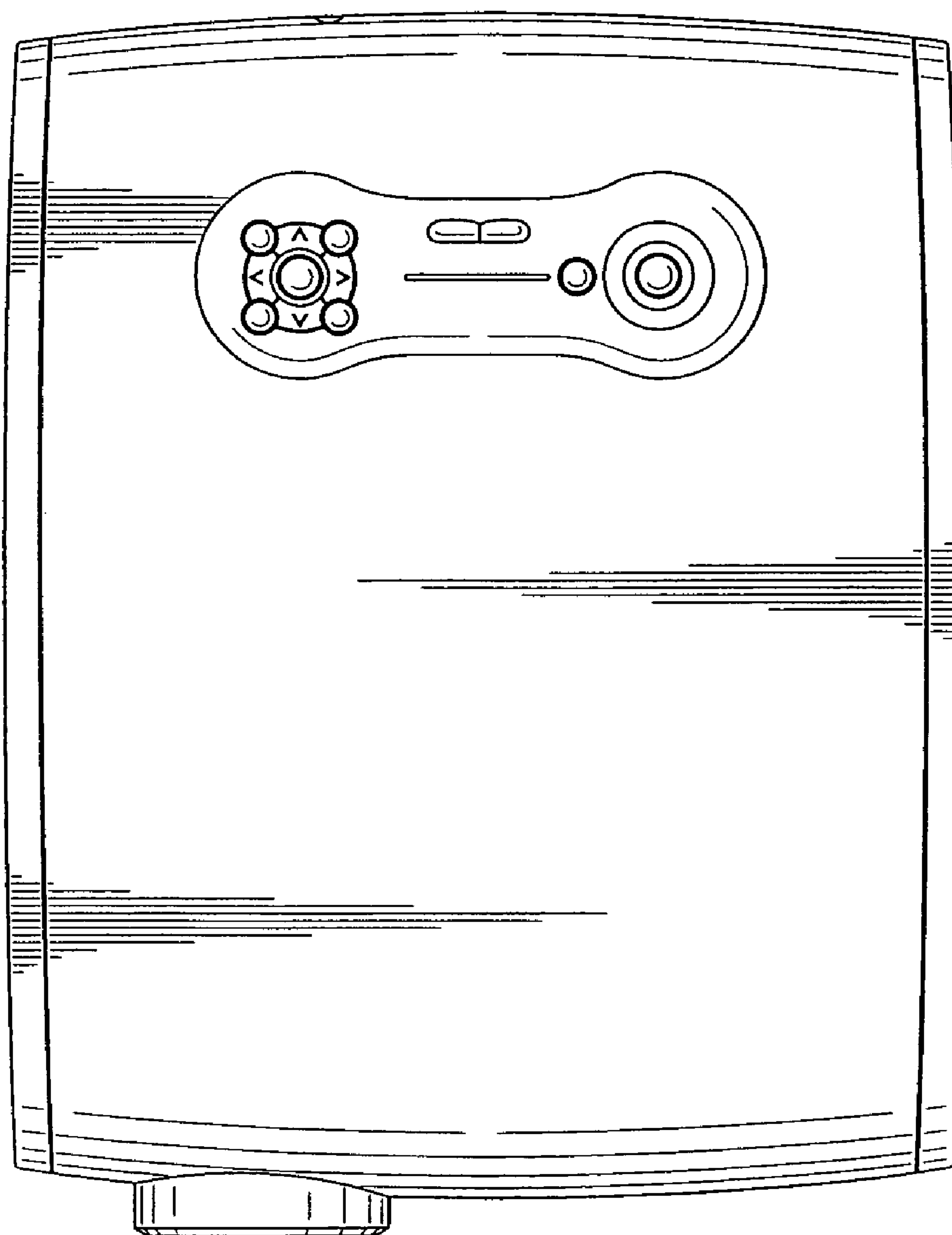


FIG. 3

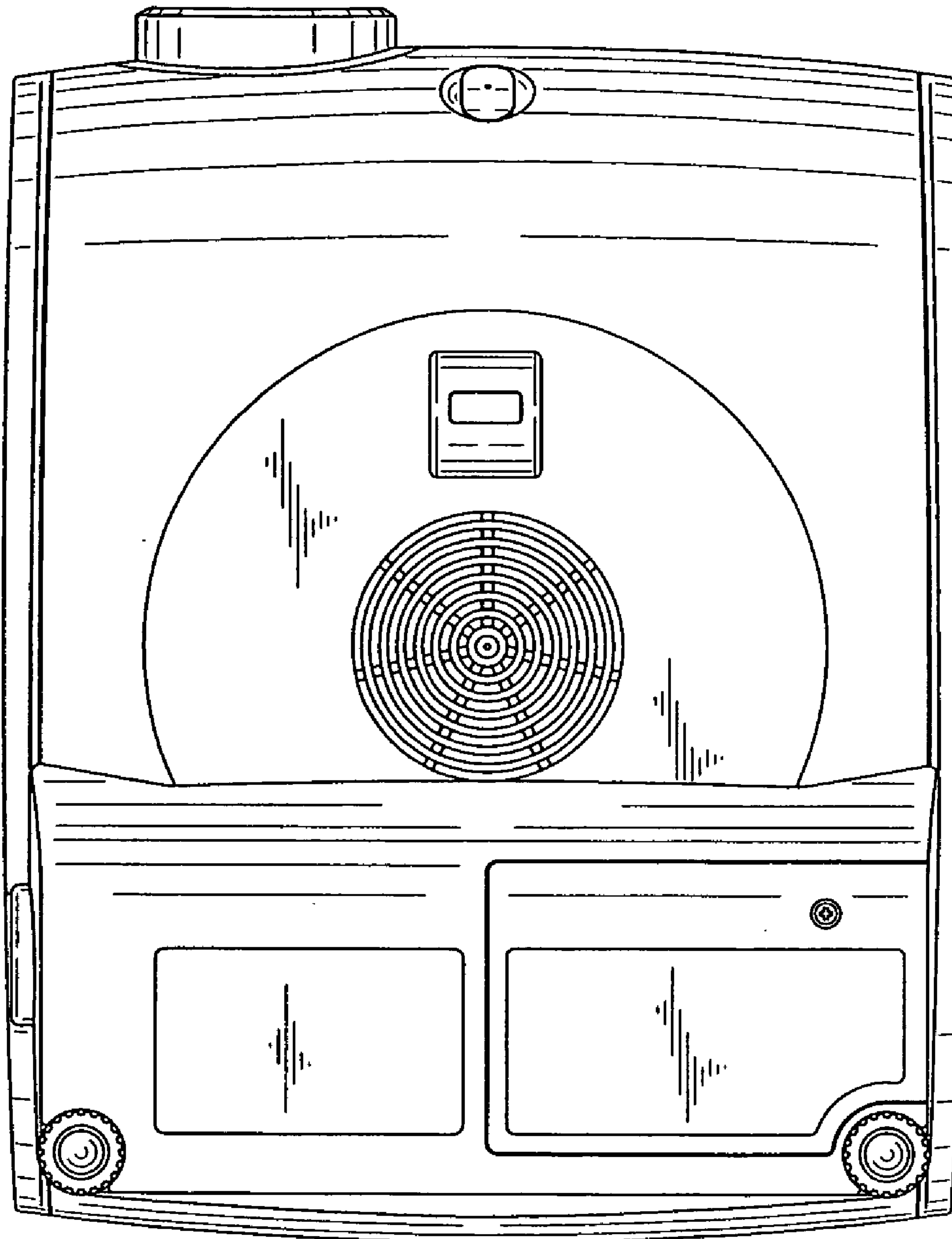


FIG. 4

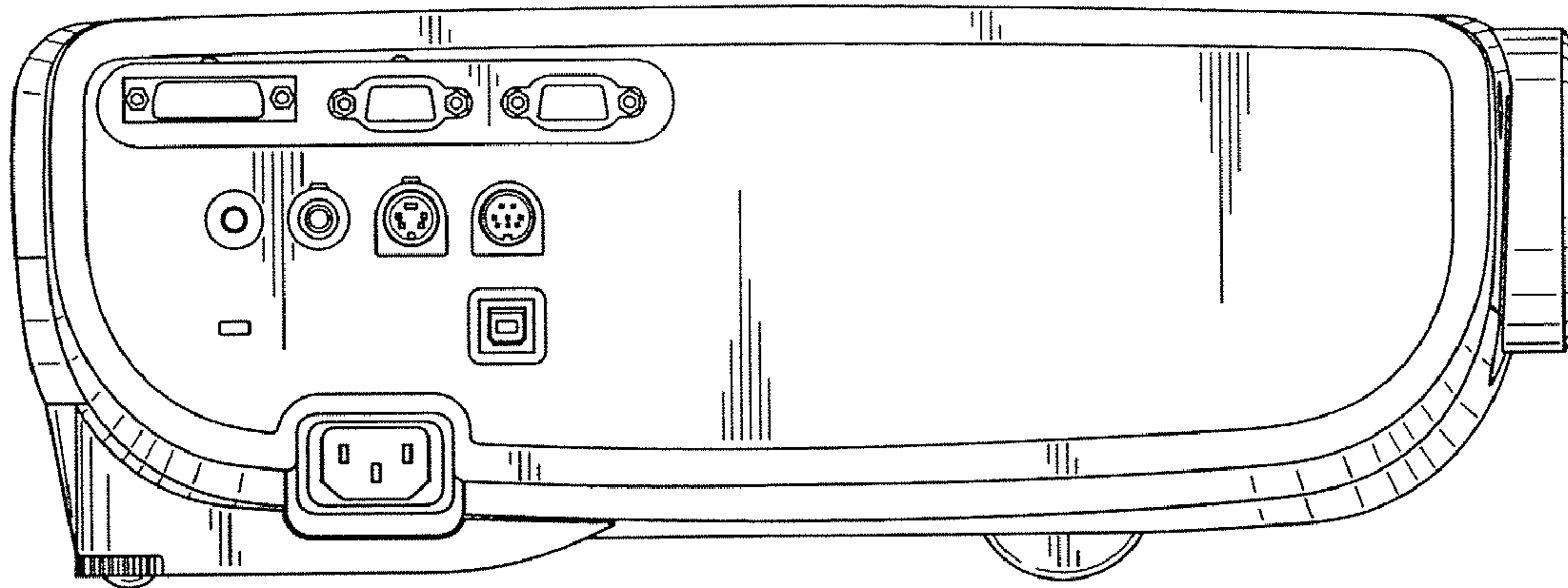


FIG. 5

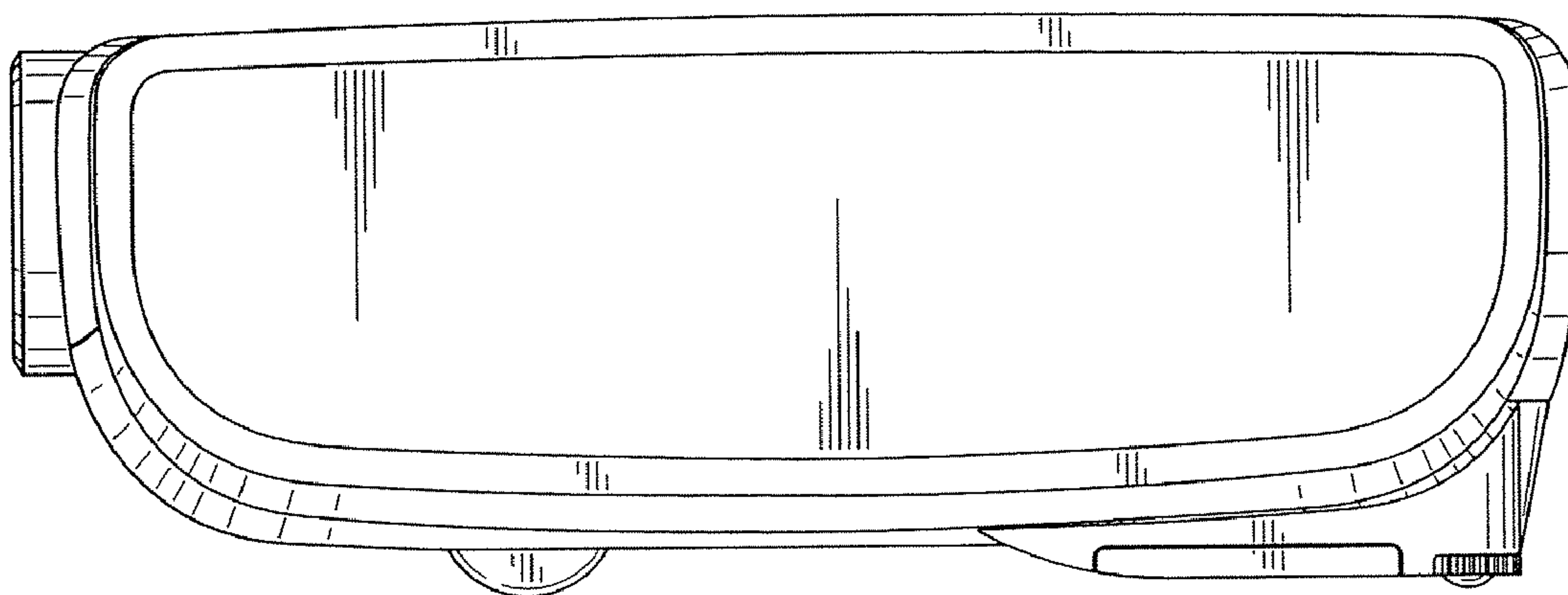


FIG. 6

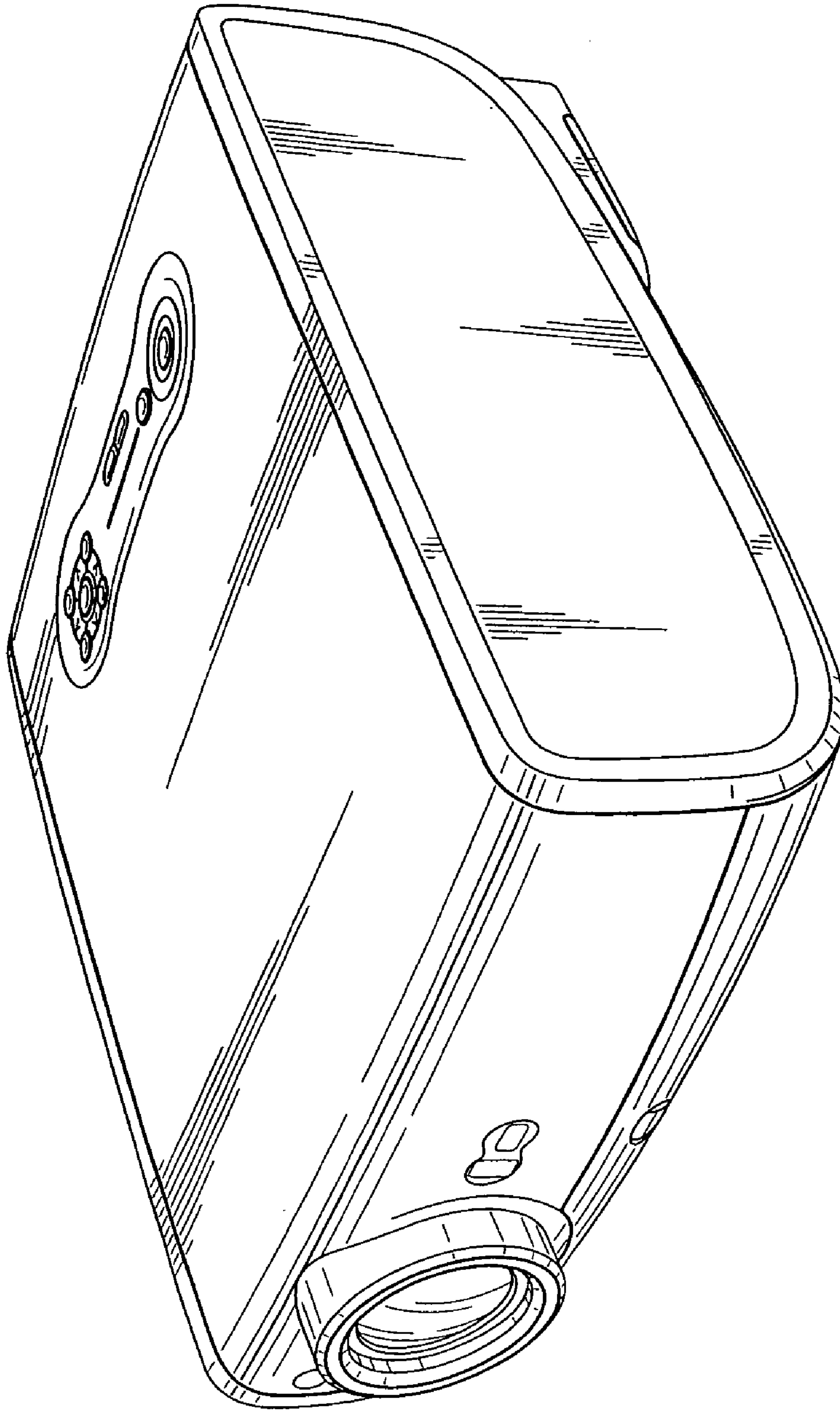


FIG. 7