

US00D545860S

(12) **United States Design Patent**
Miyazaki

(10) **Patent No.:** **US D545,860 S**

(45) **Date of Patent:** **** Jul. 3, 2007**

(54) **VIDEO CAMERA**

D518,080 S * 3/2006 Uehara D16/202

(75) Inventor: **Tetsuro Miyazaki**, Tokyo (JP)

(73) Assignee: **Sony Corporation**, Tokyo (JP)

(**) Term: **14 Years**

(21) Appl. No.: **29/239,308**

(22) Filed: **Sep. 29, 2005**

(30) **Foreign Application Priority Data**

May 31, 2005 (JP) D2005-015793

(51) **LOC (8) Cl.** **16-01**

(52) **U.S. Cl.** **D16/203; D16/202**

(58) **Field of Classification Search** D16/200–204,
D16/208, 218; 348/143, 373, 374–376; 396/427,
396/535, 536–541

See application file for complete search history.

(56) **References Cited**

U.S. PATENT DOCUMENTS

- D340,253 S * 10/1993 Fedorczak D16/203
- D387,789 S * 12/1997 Sumida et al. D16/202
- D478,108 S * 8/2003 Miyazaki D16/202
- D486,847 S * 2/2004 Uehara D16/203
- 6,705,774 B2 * 3/2004 Tashiro et al. 396/427
- D502,196 S 2/2005 Miyazaki
- D505,146 S * 5/2005 Ou D16/202
- D517,585 S * 3/2006 Iino et al. D16/203

OTHER PUBLICATIONS

Web page “BRC-300” http://www.ecat.sony.co.jp/business/remot_camera/acc/index.cfm?PD=16911&KM=BRC-300, 1 sheet, Sony (Aug. 2005).
Catalog “BRC-300” www.sony.co.jp/remotecamera, 2 sheets, Sony (Sep. 2004).

* cited by examiner

Primary Examiner—Adir Aronovich

(74) *Attorney, Agent, or Firm*—Rader, Fishman & Grauer PLLC

(57) **CLAIM**

The ornamental design for a video camera, as shown.

DESCRIPTION

FIG. 1 is a front right top perspective view of a video camera showing my new design;

FIG. 2 is a front left bottom perspective view of a video camera thereof;

FIG. 3 is a front elevational view thereof;

FIG. 4 is a rear elevational view thereof;

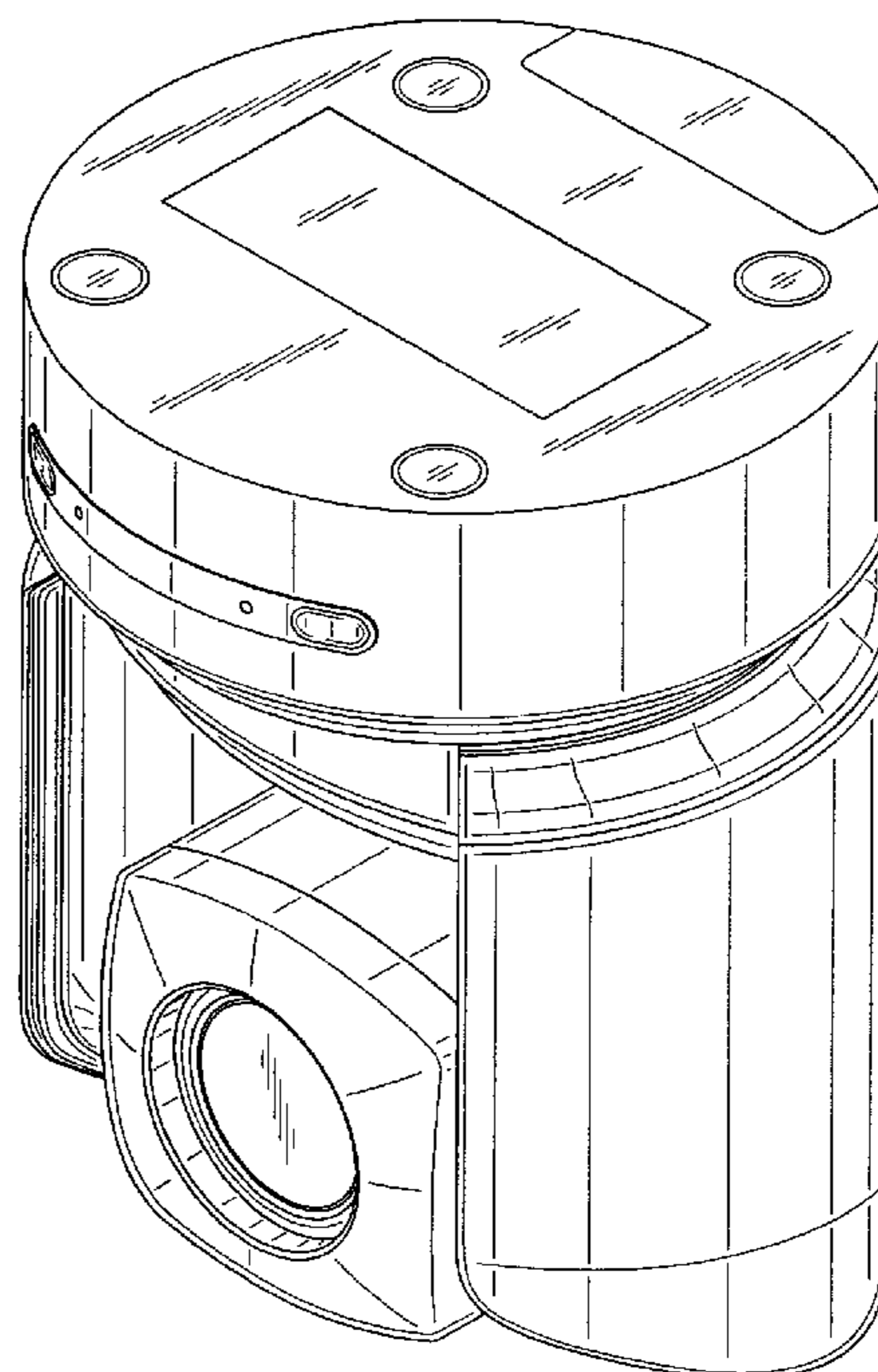
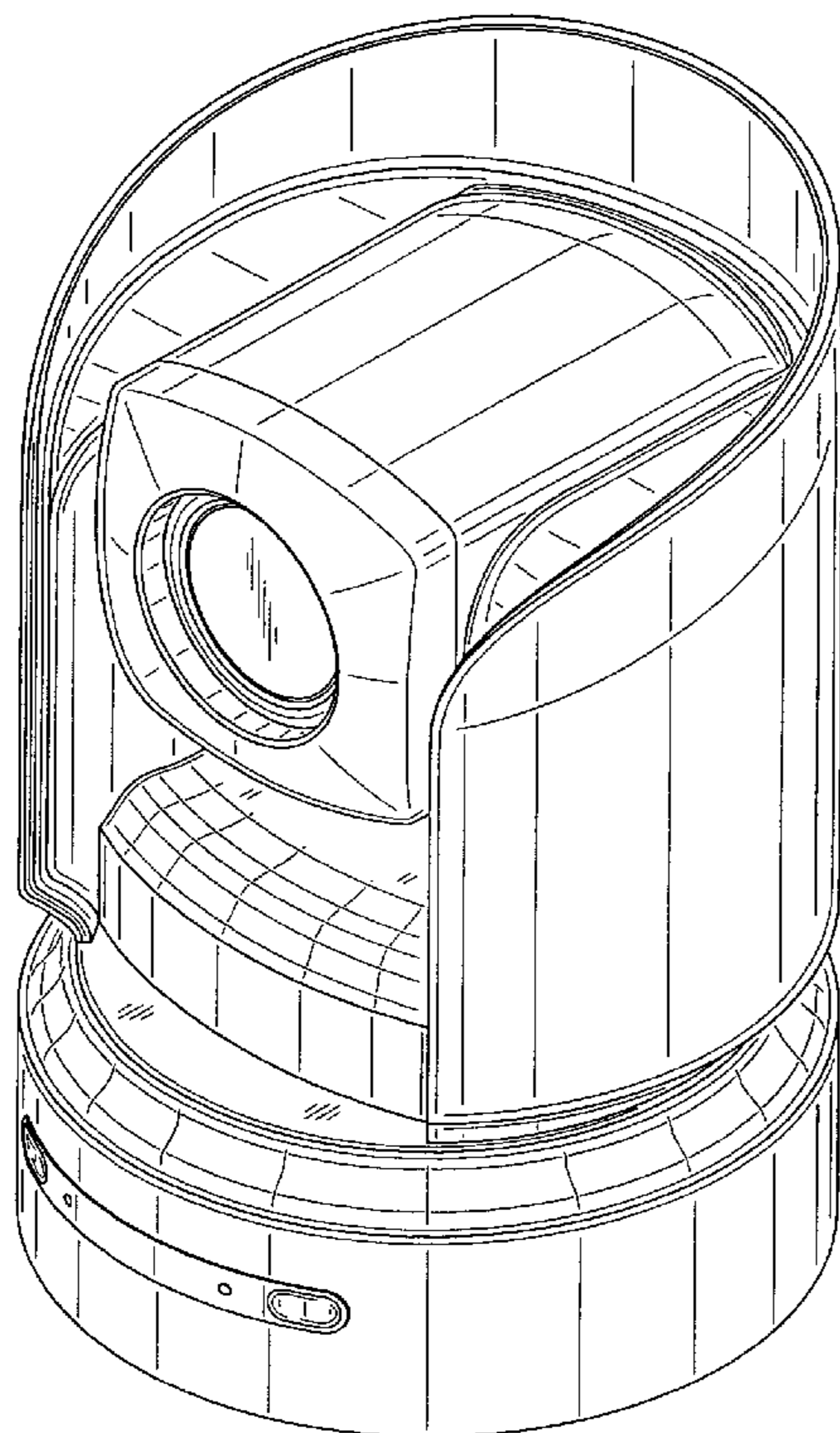
FIG. 5 is a left side elevational view thereof;

FIG. 6 is a right side elevational view thereof;

FIG. 7 is a top plan view thereof; and,

FIG. 8 is a bottom plan view thereof.

1 Claim, 8 Drawing Sheets



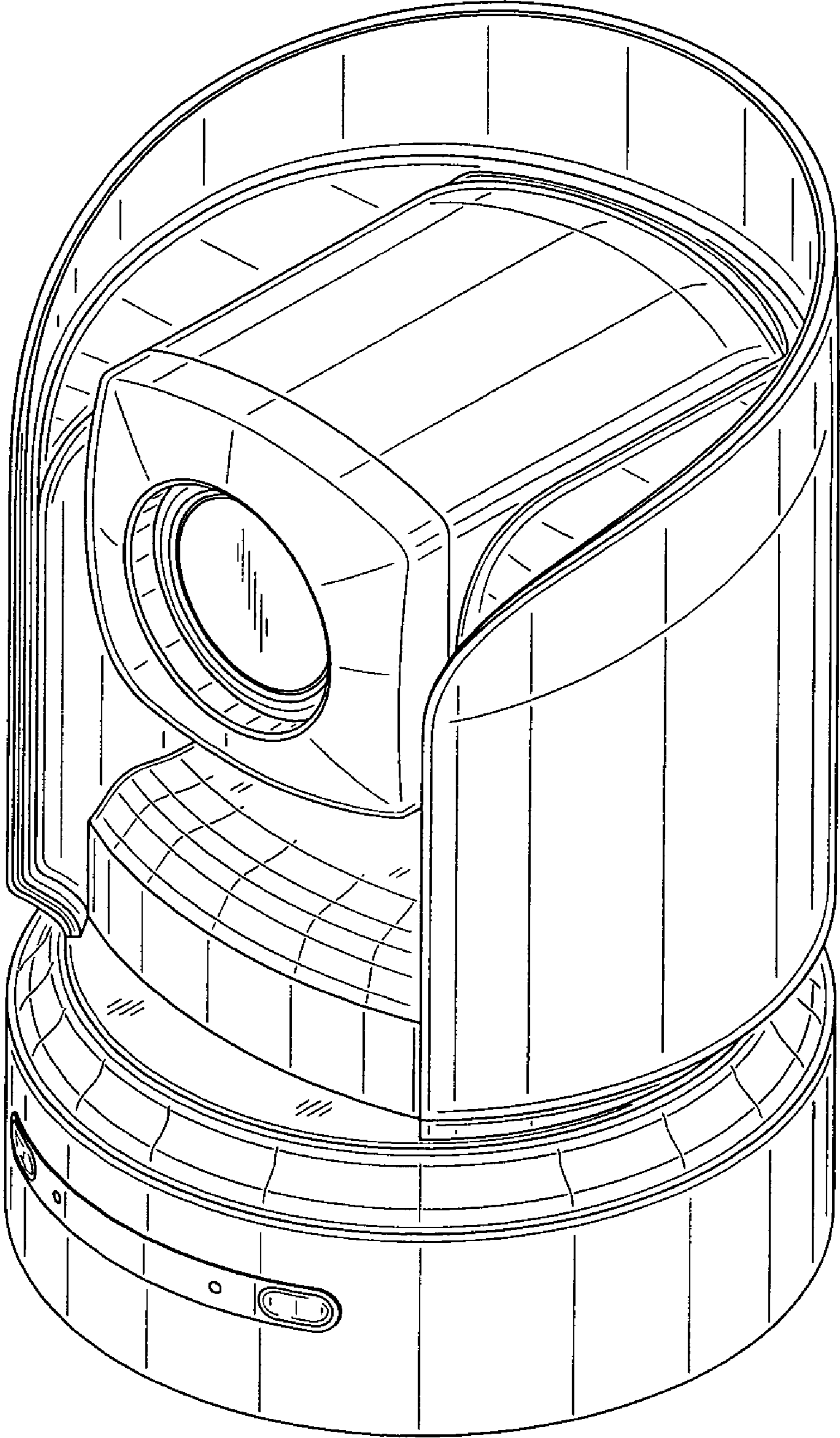


FIG. 1

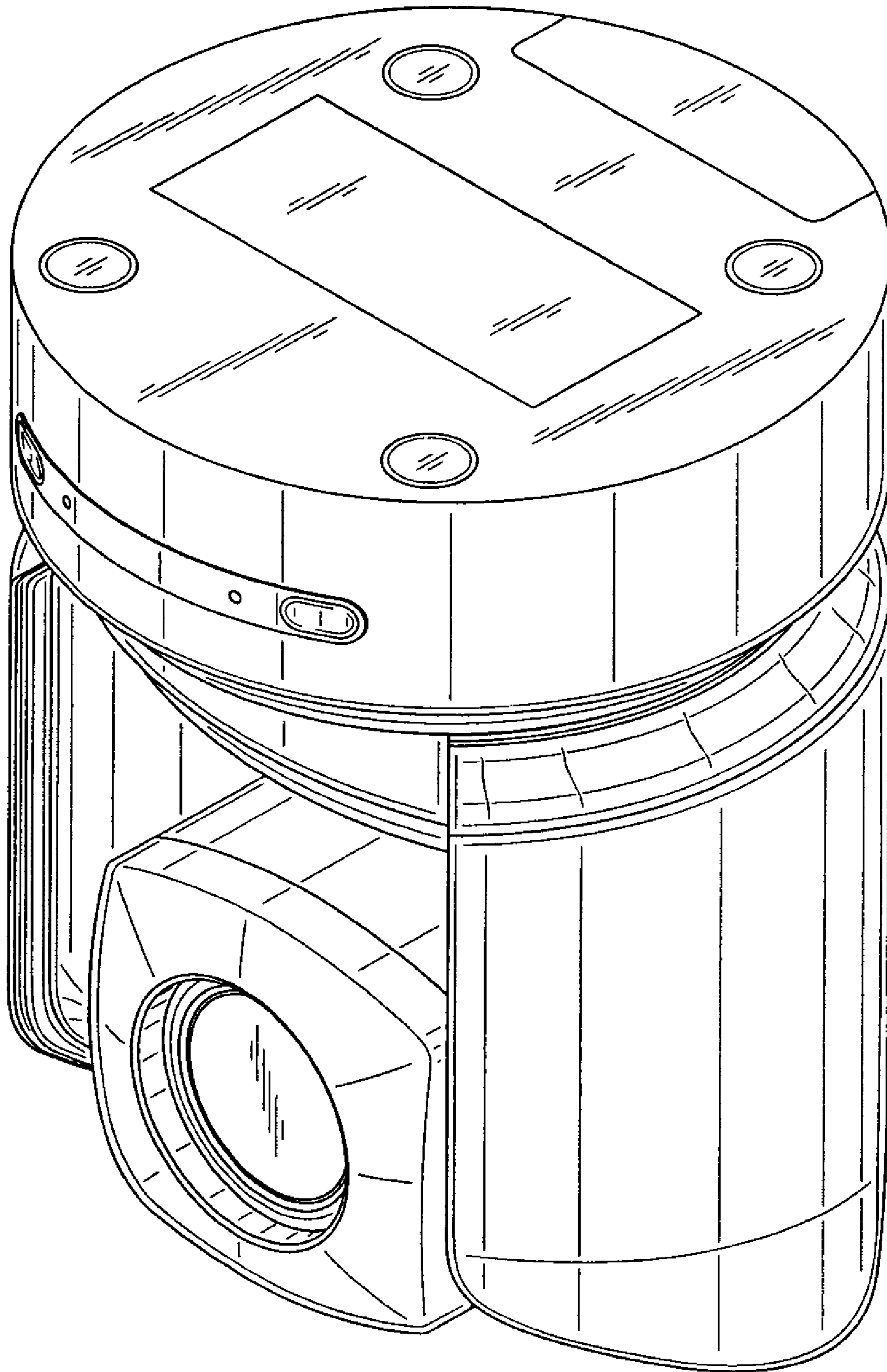


FIG. 2

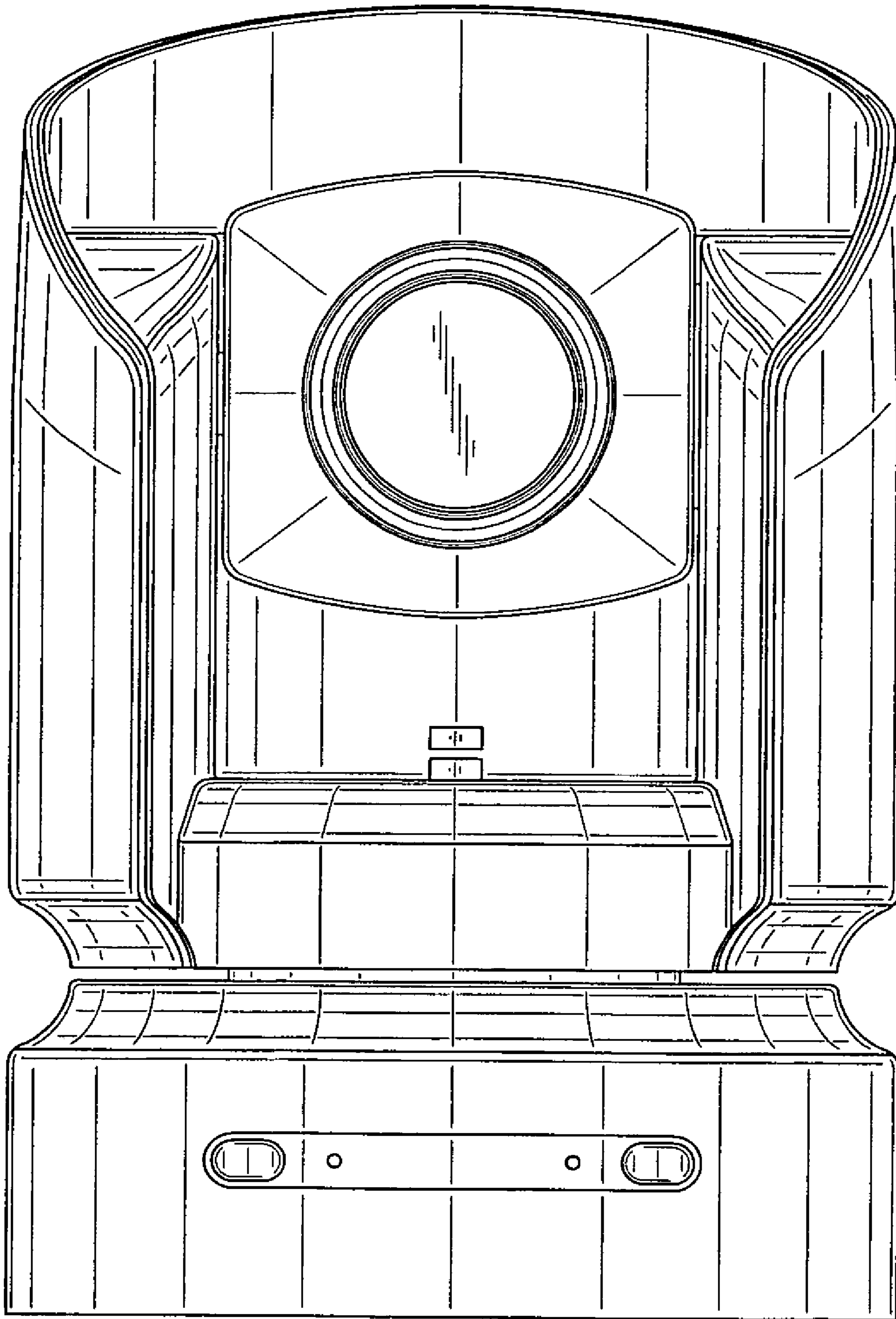


FIG. 3

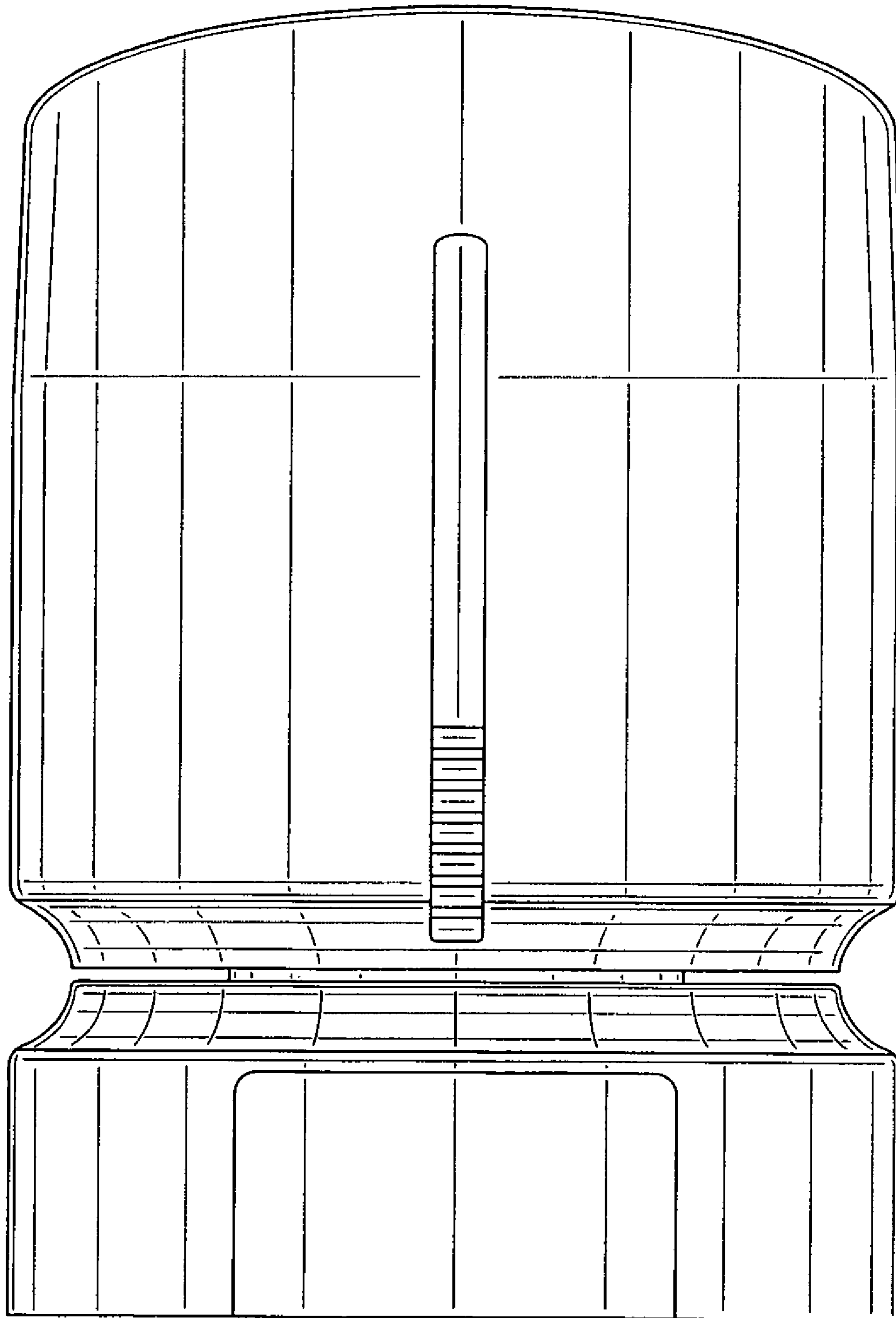


FIG. 4

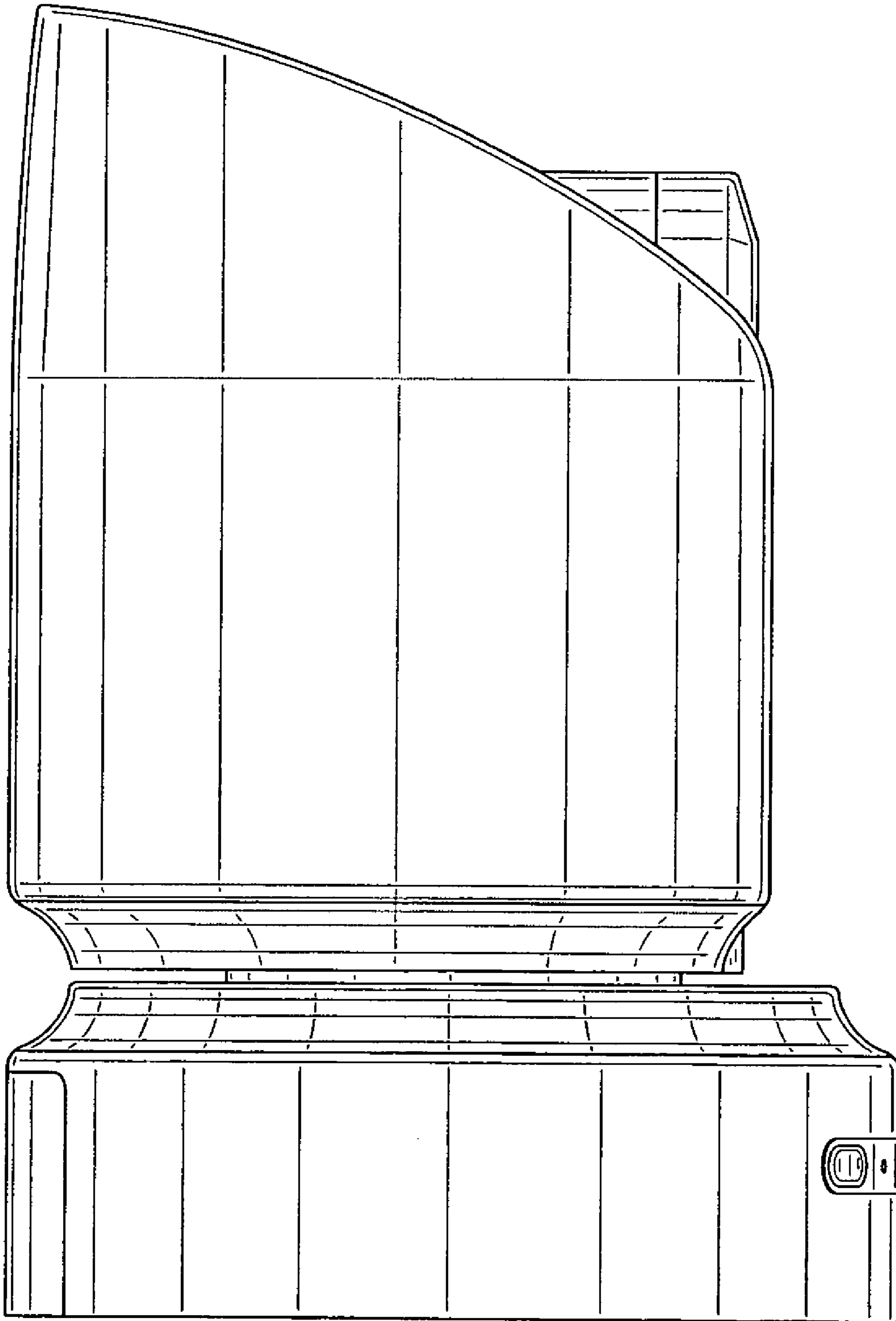


FIG. 5

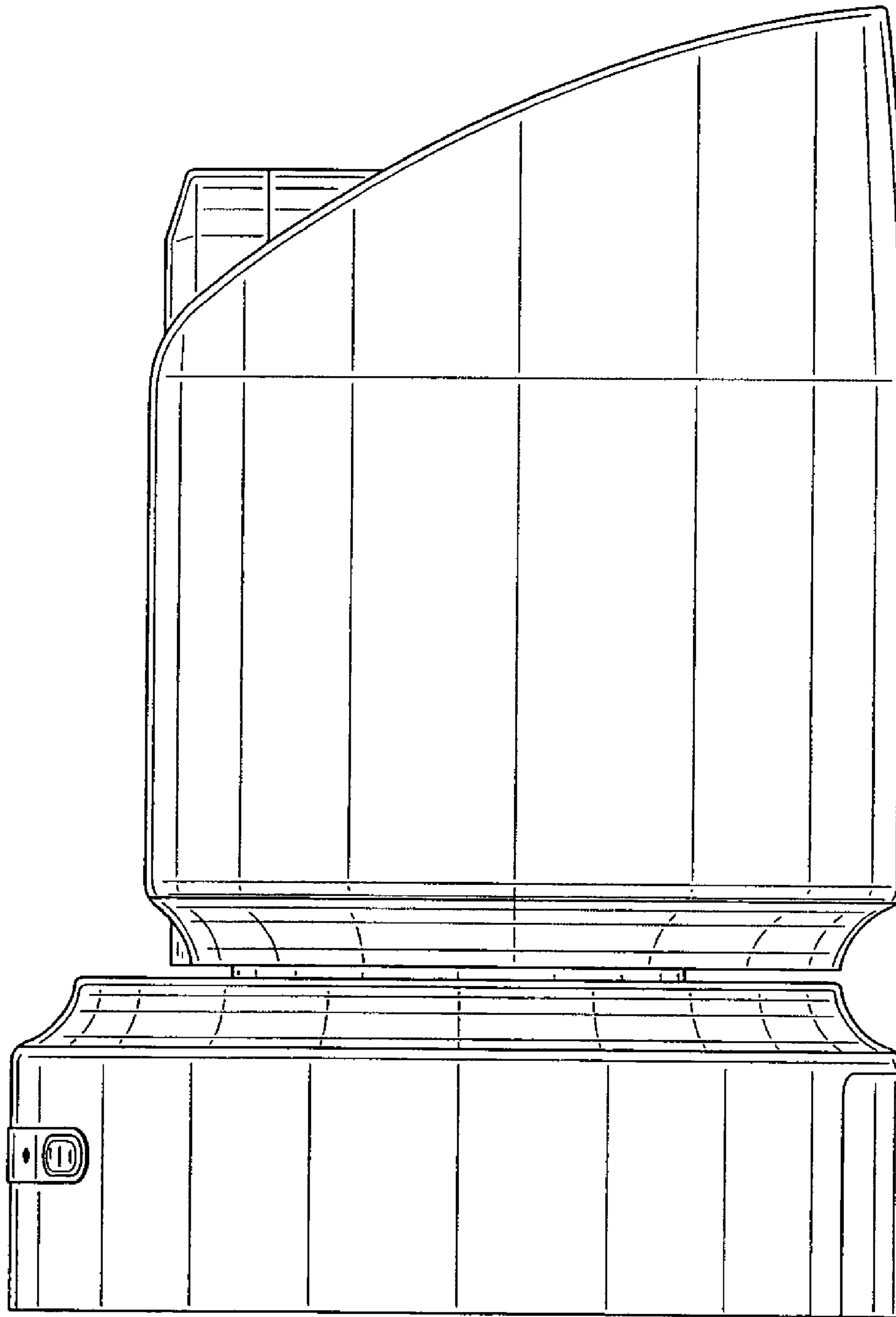


FIG. 6

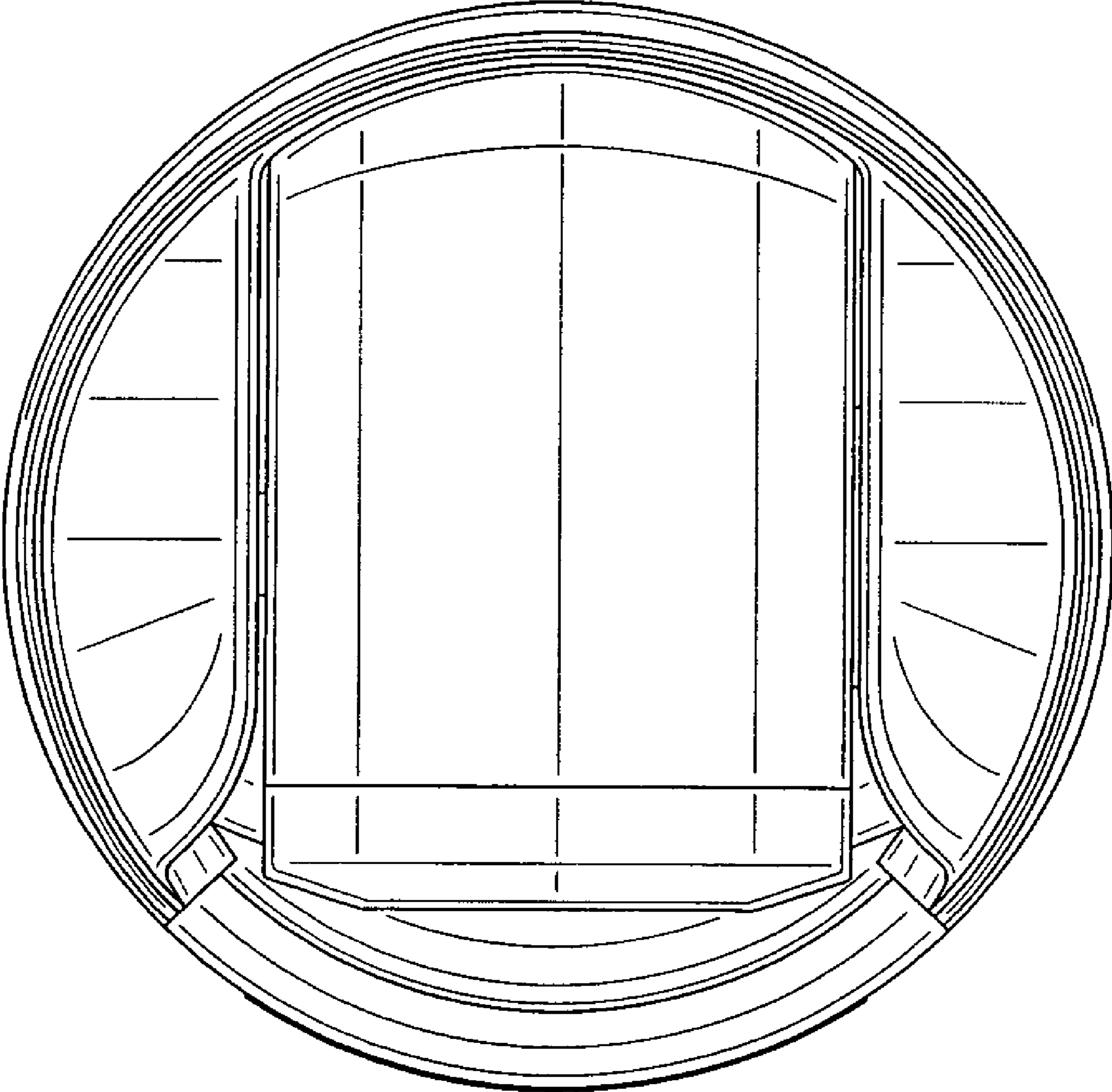


FIG. 7

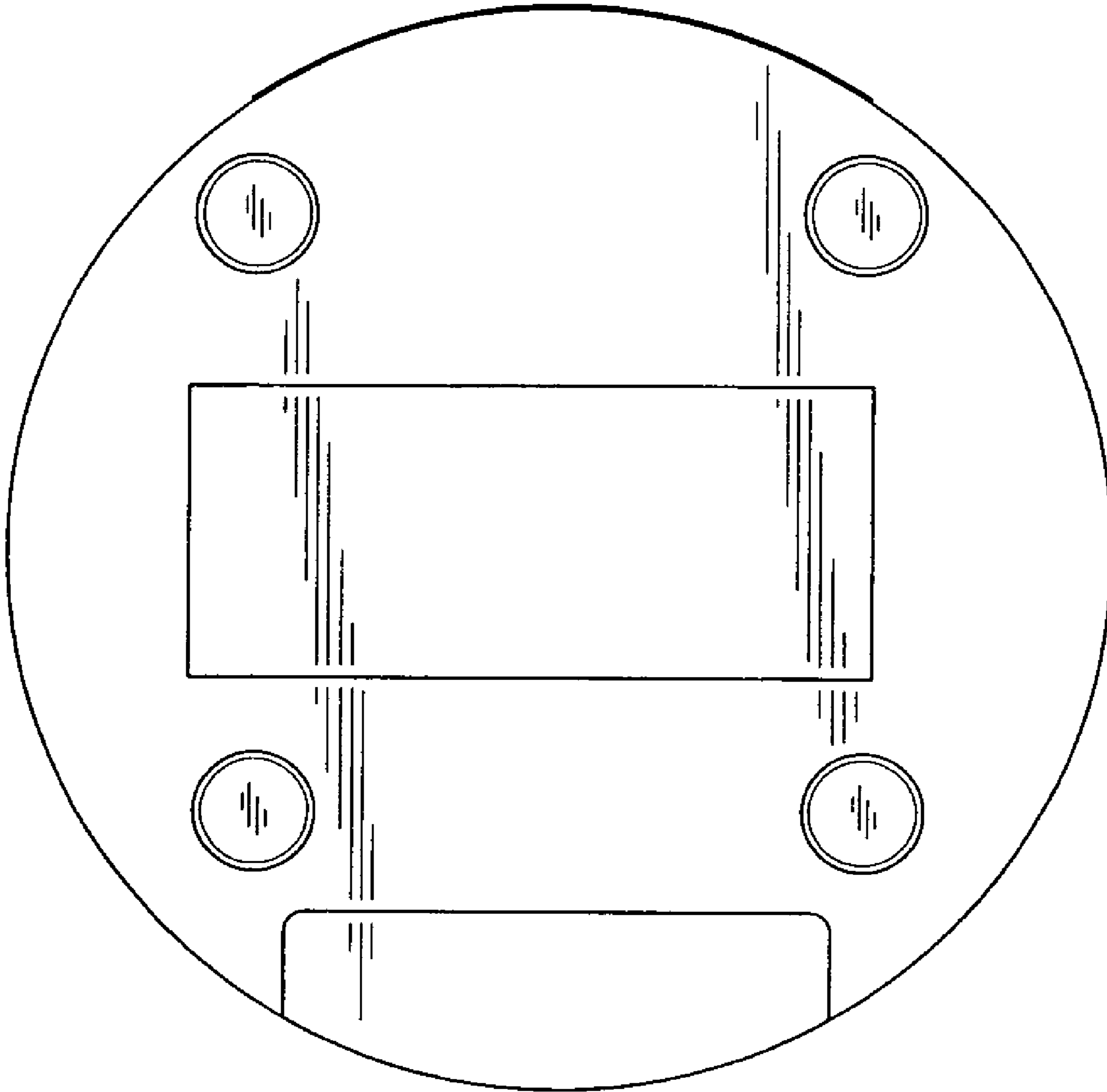


FIG. 8