



US00D545859S

(12) **United States Design Patent**  
**Lee**

(10) **Patent No.:** **US D545,859 S**  
(45) **Date of Patent:** **\*\* Jul. 3, 2007**

(54) **DIGITAL CAMERA**

(75) Inventor: **Soo Jung Lee**, Seoul (KR)

(73) Assignee: **Samsung Techwin Co., Ltd.**,  
Changwon (KR)

(\*\*) Term: **14 Years**

(21) Appl. No.: **29/251,377**

(22) Filed: **Jan. 6, 2006**

(30) **Foreign Application Priority Data**

Jul. 8, 2005 (KR) ..... 30-2005-0023005

(51) **LOC (8) Cl.** ..... **16-01**

(52) **U.S. Cl.** ..... **D16/202**

(58) **Field of Classification Search** ..... D16/200-204,  
D16/208, 218; 348/373-376; 358/909.1;  
396/6, 535, 536-541

See application file for complete search history.

(56) **References Cited**

**U.S. PATENT DOCUMENTS**

D484,902 S \* 1/2004 Baba ..... D16/202  
D496,380 S \* 9/2004 Isomoto ..... D16/202  
D502,479 S \* 3/2005 Nishizawa et al. .... D16/218  
D516,107 S \* 2/2006 Kim ..... D16/202

D516,599 S \* 3/2006 Nakamura ..... D16/202  
D533,574 S \* 12/2006 Hamamura ..... D16/202  
D534,564 S \* 1/2007 Tainaka ..... D16/202

\* cited by examiner

*Primary Examiner*—Adir Aronovich

(74) *Attorney, Agent, or Firm*—Drinker Biddle & Reath LLP

(57) **CLAIM**

I claim the ornamental design for a digital camera, as shown and described.

**DESCRIPTION**

FIG. 1 is a front perspective view of the design for a digital camera;

FIG. 2 is a front view of the design of FIG. 1;

FIG. 3 is a rear view of the design of FIG. 1;

FIG. 4 is a left side view of the design of FIG. 1;

FIG. 5 is a right side view of the design of FIG. 1;

FIG. 6 is a top view of the design of FIG. 1;

FIG. 7 is a bottom view of the design of FIG. 1; and,

FIG. 8 is a rear-perspective view of the design for a digital camera.

**1 Claim, 5 Drawing Sheets**

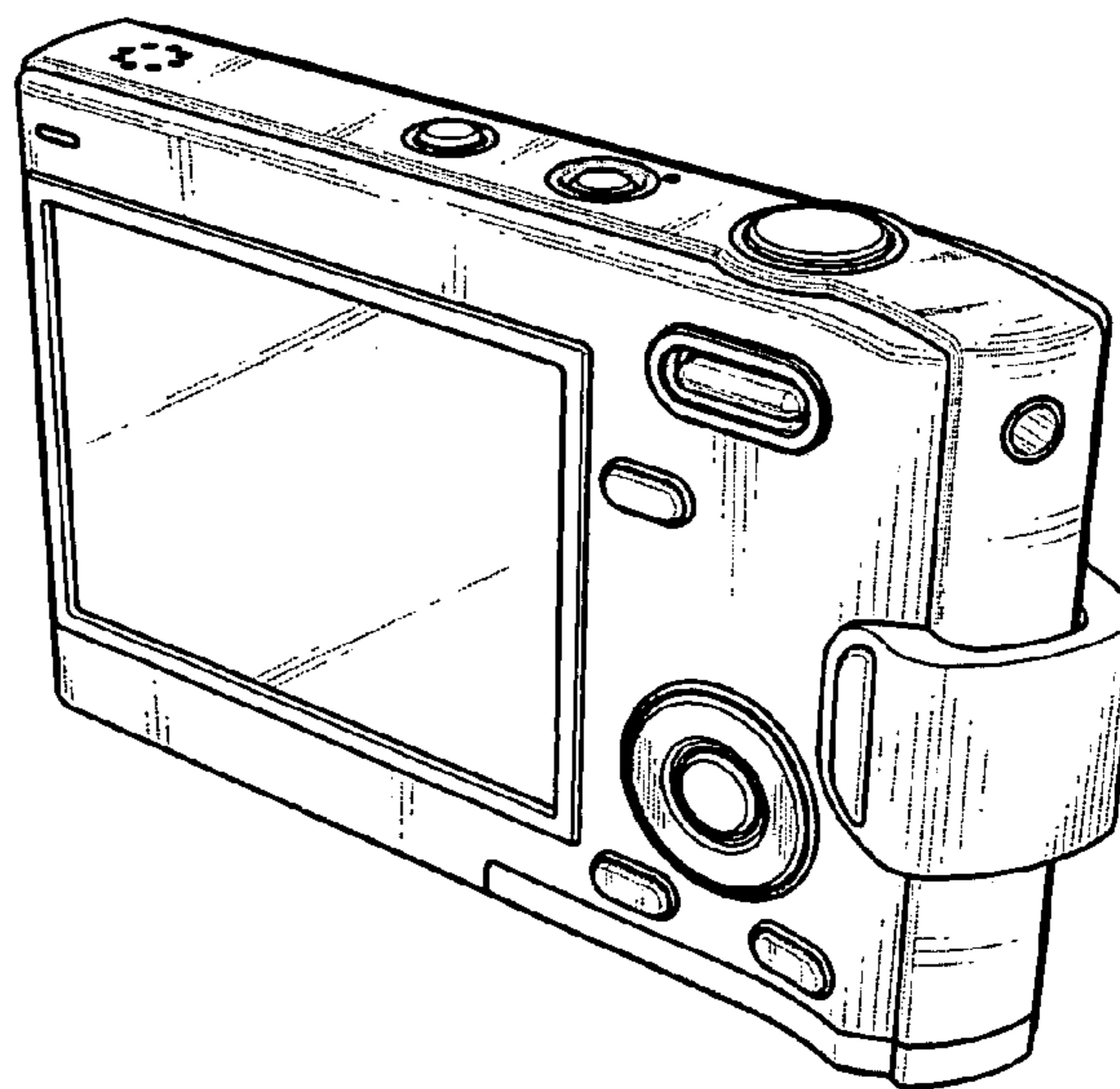
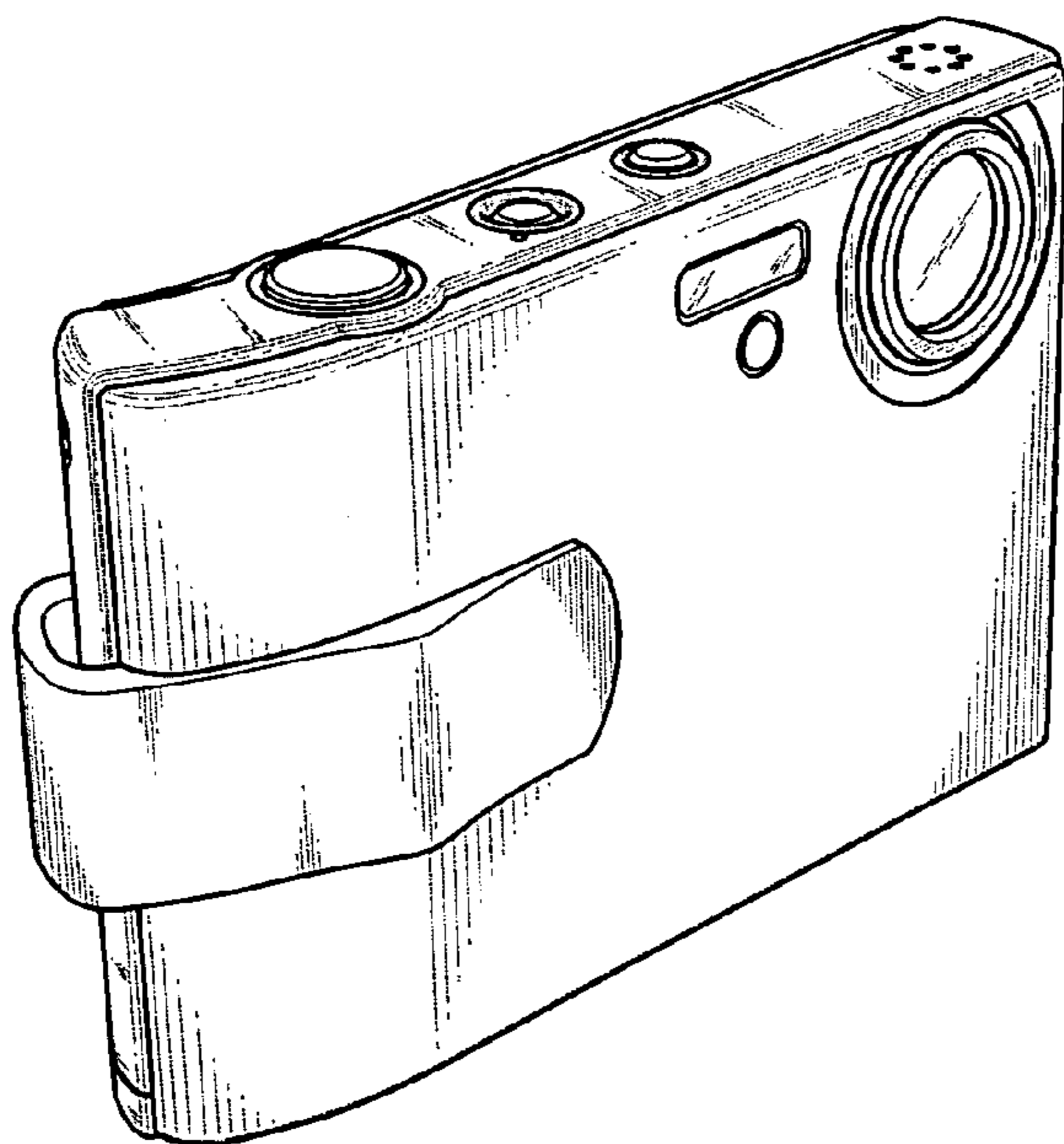


FIG. 1

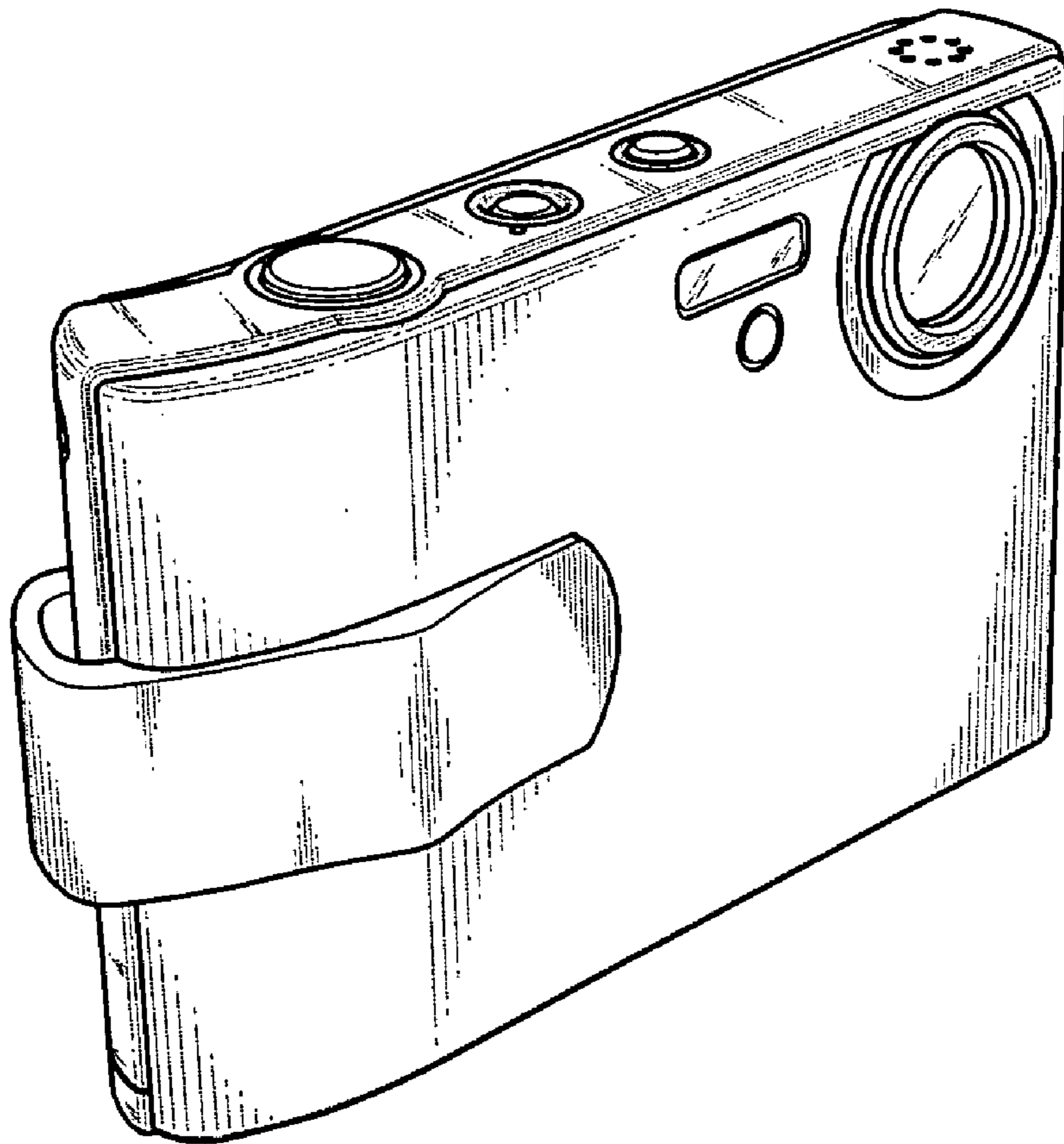


FIG. 2

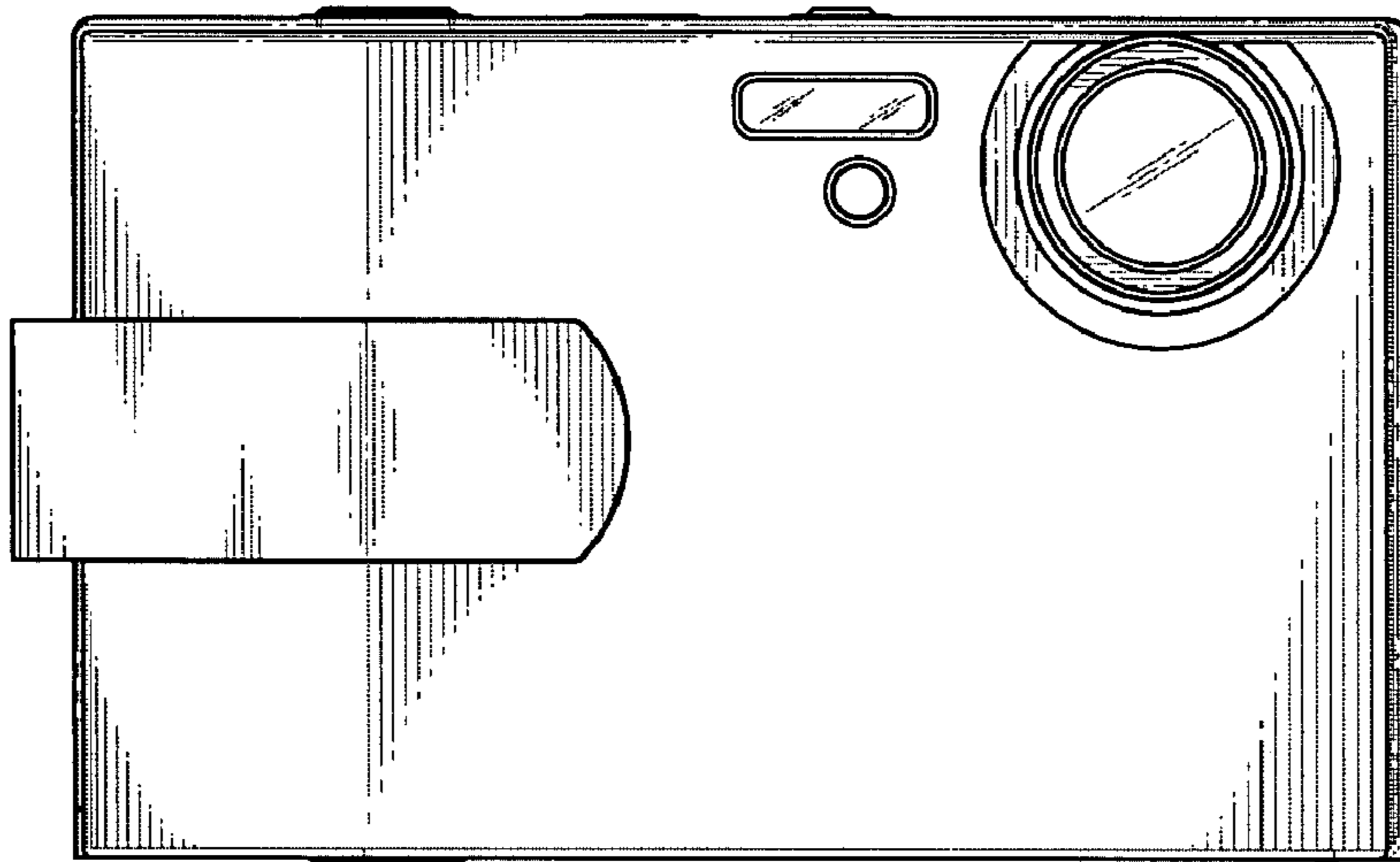


FIG. 3

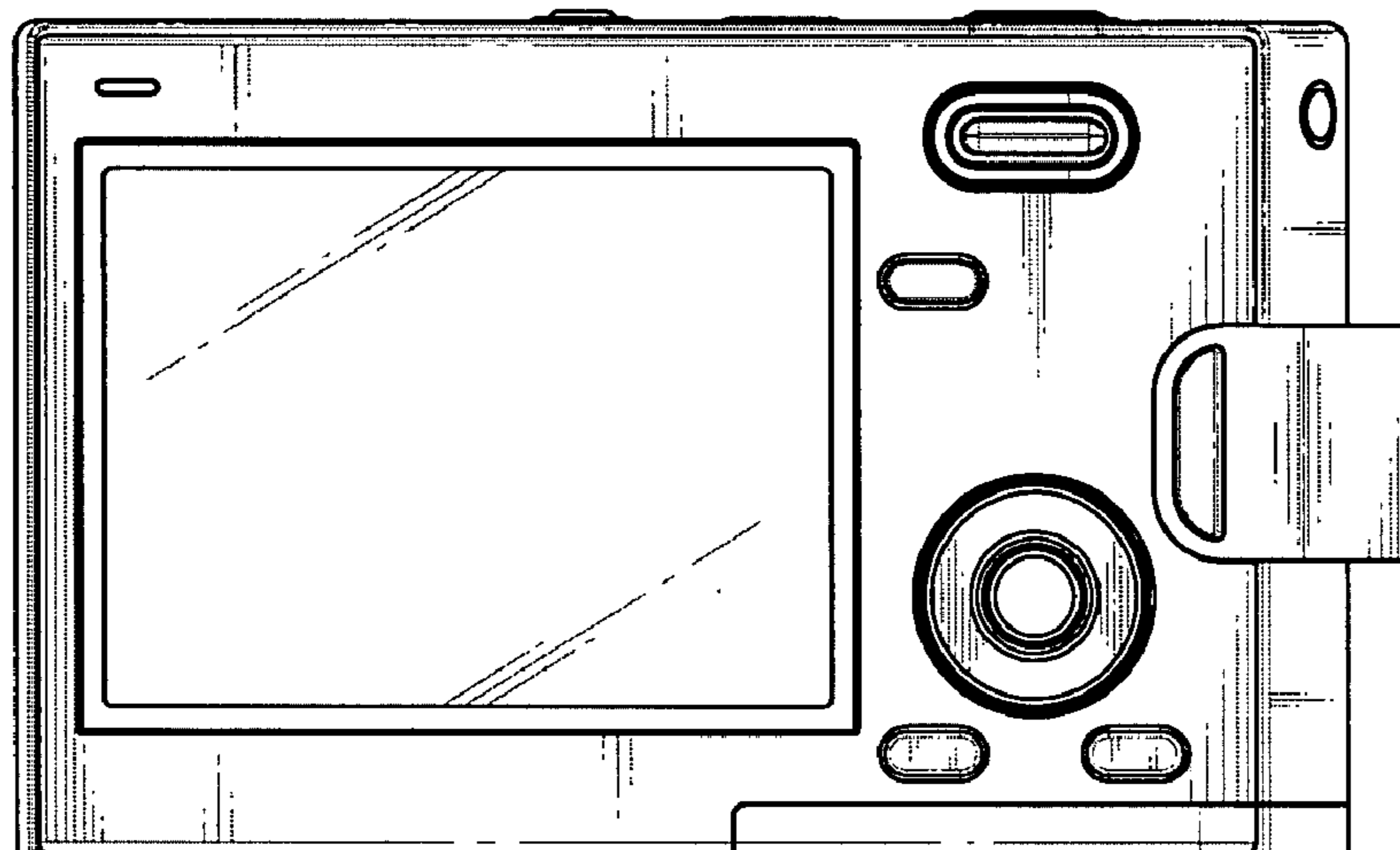


FIG. 4

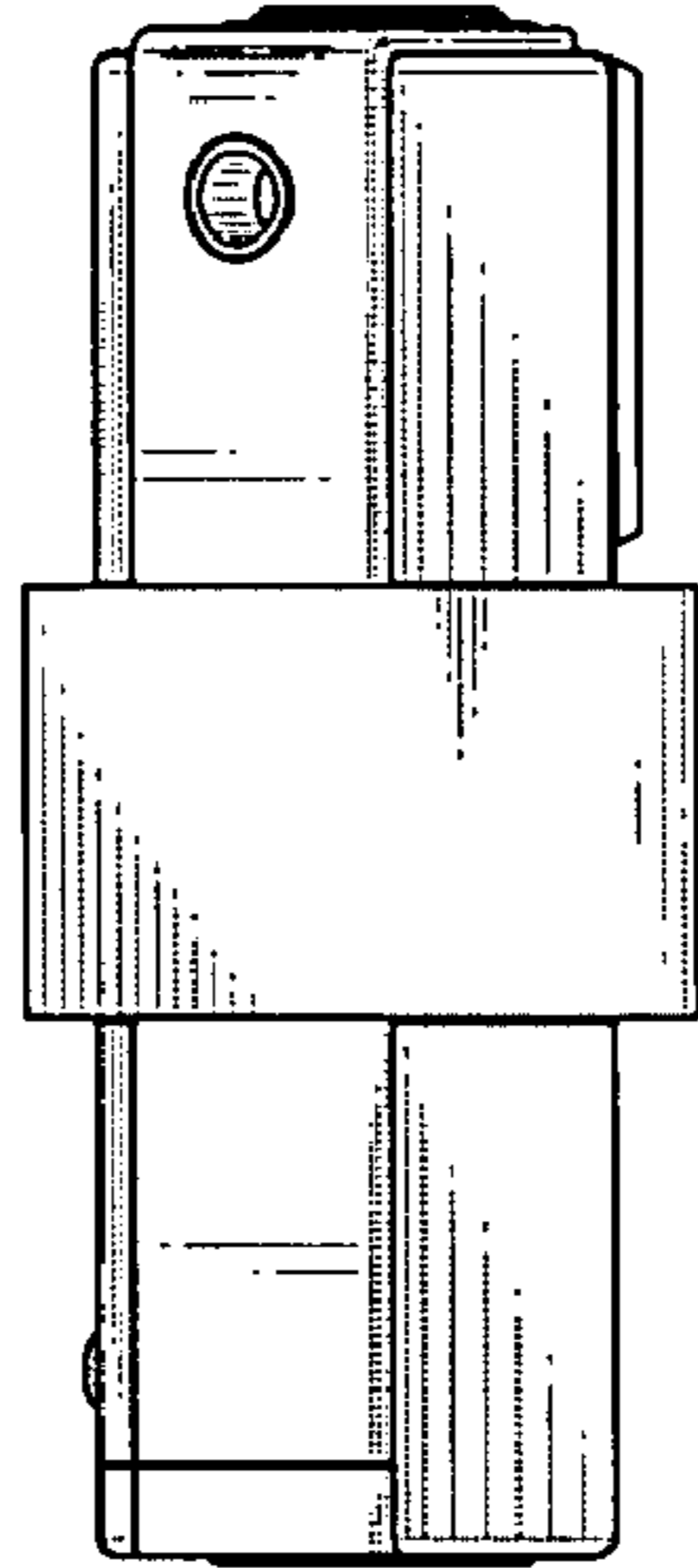


FIG. 5

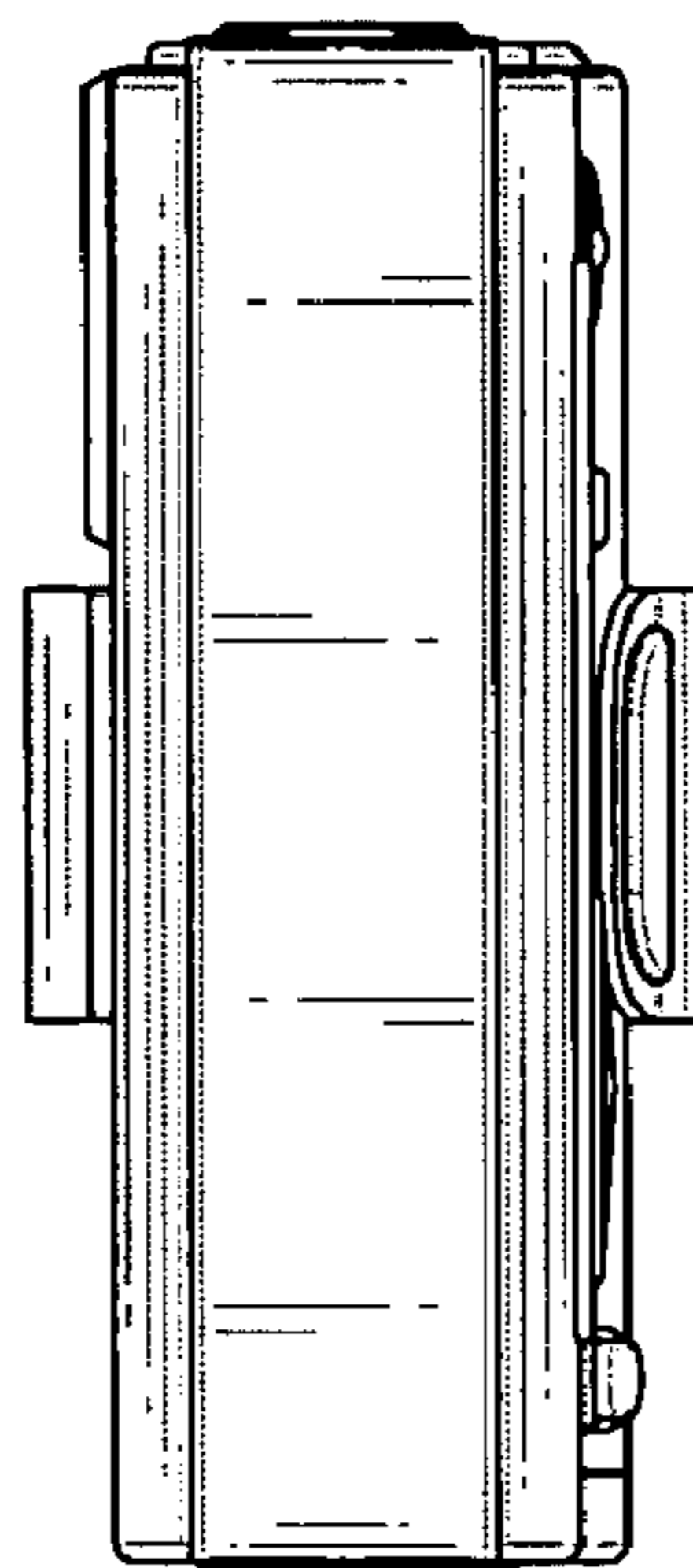


FIG. 6

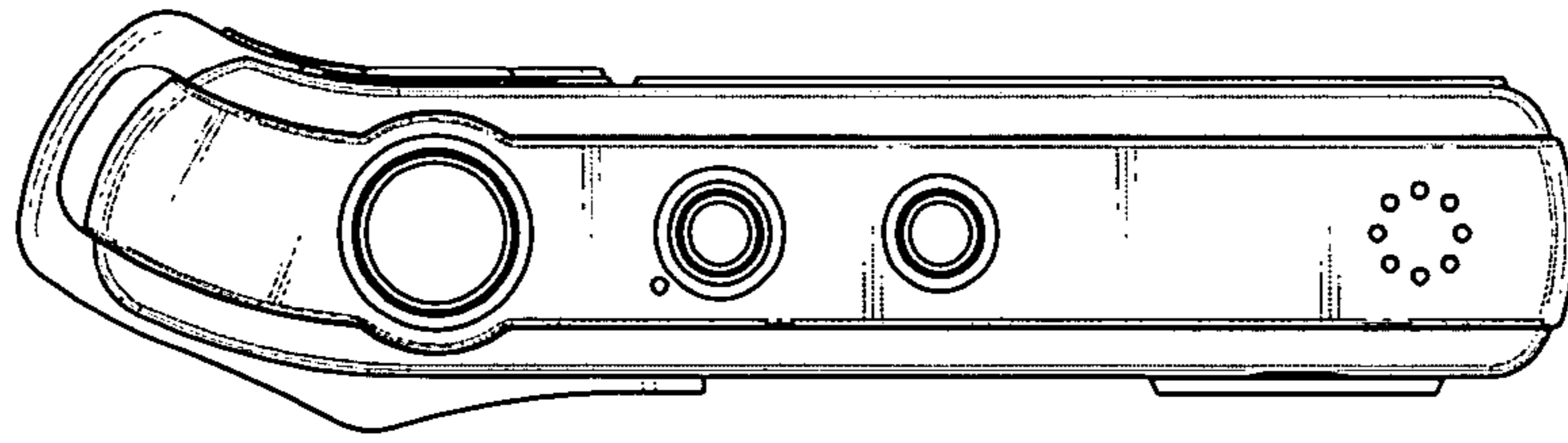


FIG. 7

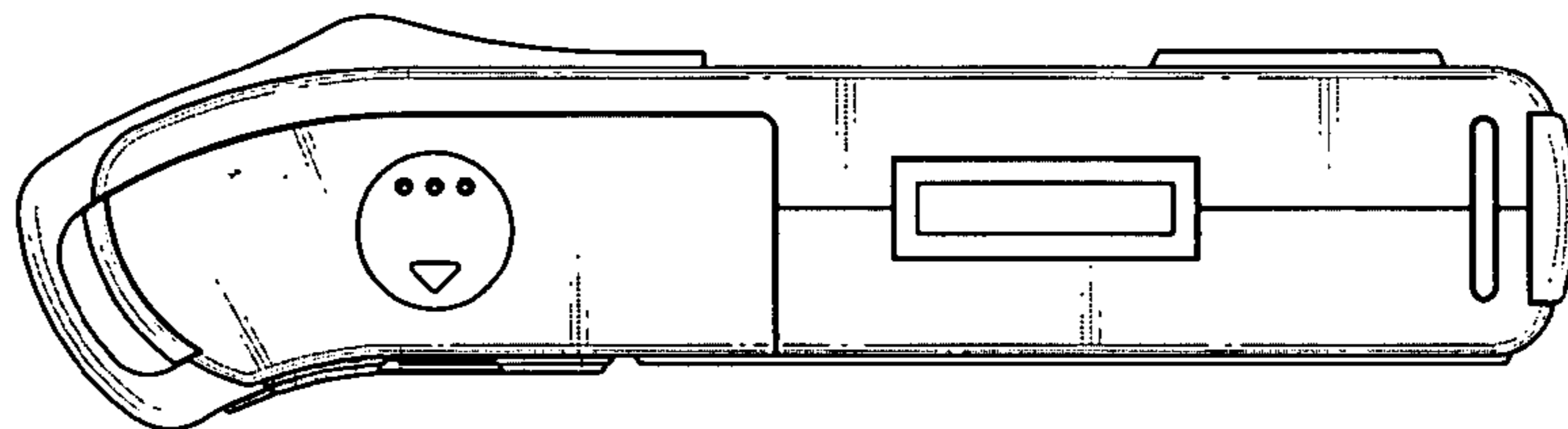


FIG. 8

