



US00D545858S

(12) **United States Design Patent**
Li

(10) **Patent No.:** **US D545,858 S**

(45) **Date of Patent:** **** Jul. 3, 2007**

(54) **WEB CAM**

D509,842 S * 9/2005 Ou D16/203
D510,589 S * 10/2005 Andre et al. D16/202

(75) Inventor: **Yi-Ru Li**, Taipei County (TW)

* cited by examiner

(73) Assignee: **KYE Systems Corp.** (TW)

Primary Examiner—Adir Aronovich

(**) Term: **14 Years**

(74) *Attorney, Agent, or Firm*—Raymond Sun

(21) Appl. No.: **29/236,249**

(57) **CLAIM**

(22) Filed: **Aug. 12, 2005**

The ornamental design for a web cam, as shown and described.

(51) **LOC (8) Cl.** **16-01**

DESCRIPTION

(52) **U.S. Cl.** **D16/202**

(58) **Field of Classification Search** D16/200–206,
D16/208, 218; 248/187.1, 278.1; 348/14.01–14.1,
348/373–376; 358/906; 396/535–541

FIG. 1 is a perspective view of a web cam showing my new design.

See application file for complete search history.

FIG. 2 is a front elevational view of the web cam of FIG. 1.
FIG. 3 is a rear elevational view of the web cam of FIG. 1.
FIG. 4 is a left elevational view of the web cam of FIG. 1.
FIG. 5 is a right elevational view of the web cam of FIG. 1.
FIG. 6 is a top plan view of the web cam of FIG. 1.

(56) **References Cited**

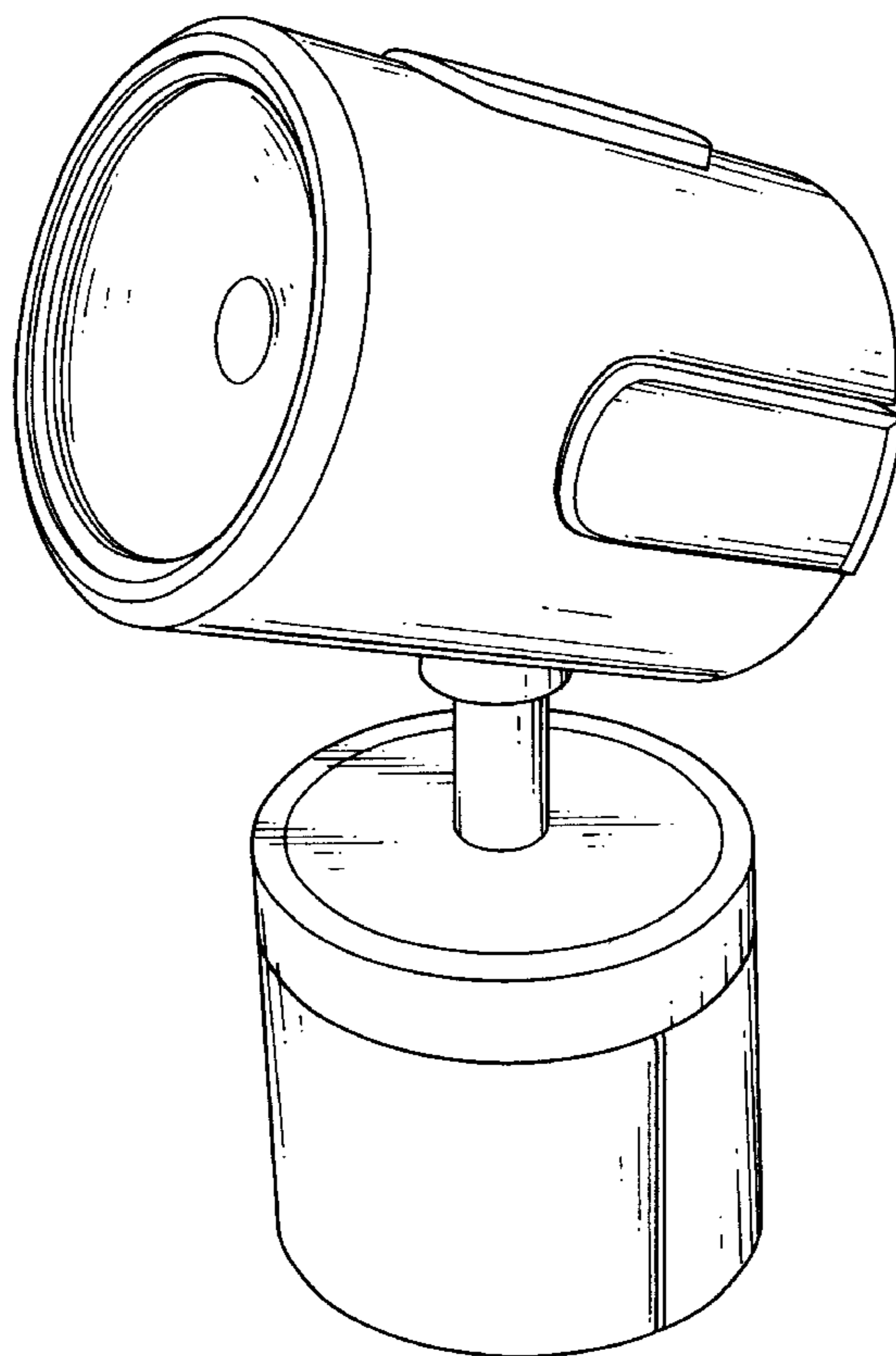
U.S. PATENT DOCUMENTS

D383,475 S * 9/1997 Yamauchi et al. D16/202
5,900,907 A * 5/1999 Malloy et al. 348/14.1
6,679,467 B1 * 1/2004 Softness 248/278.1
D500,511 S * 1/2005 Sybilrud D16/203

FIG. 7 is a bottom plan view thereof; and,

FIG. 8 is a perspective view of the web cam of FIG. 1 pivoted into an operational position on a working surface.

1 Claim, 7 Drawing Sheets



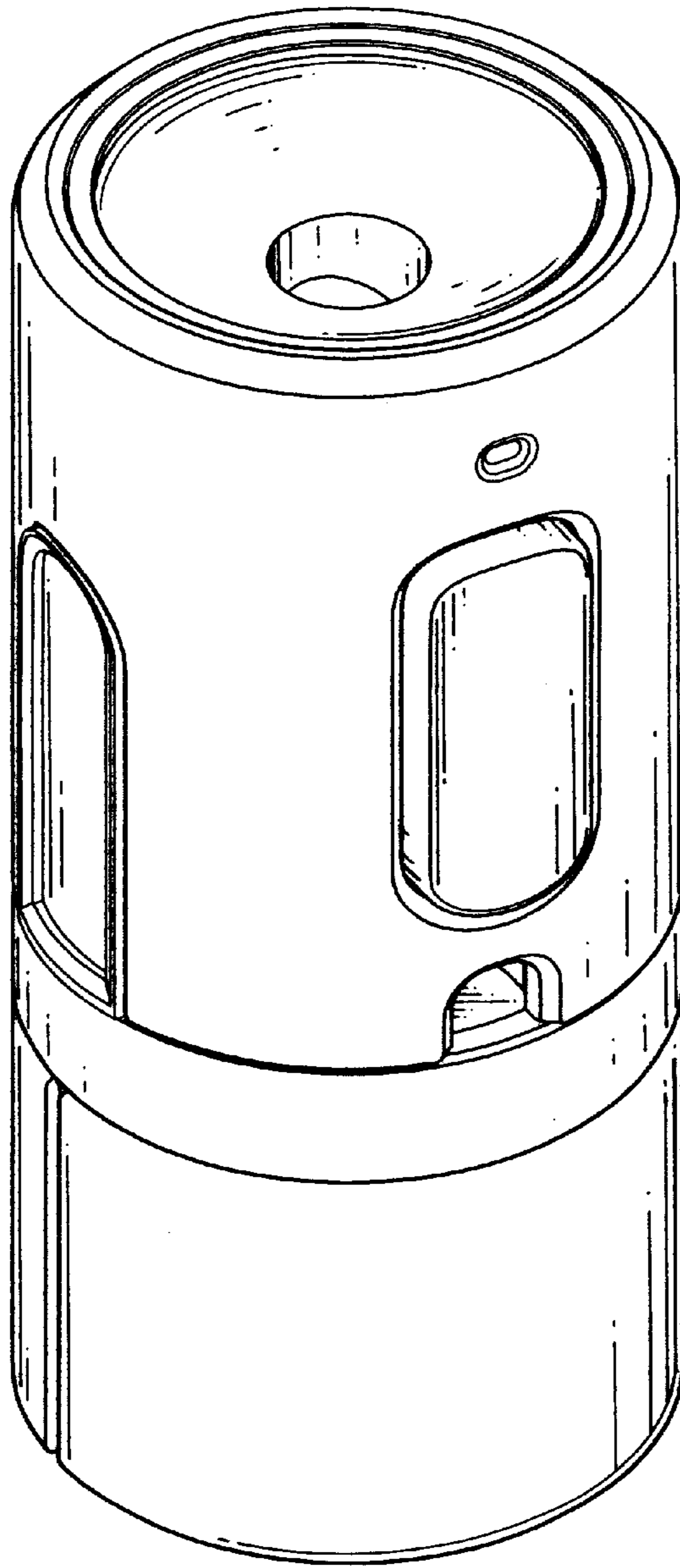


FIG.1

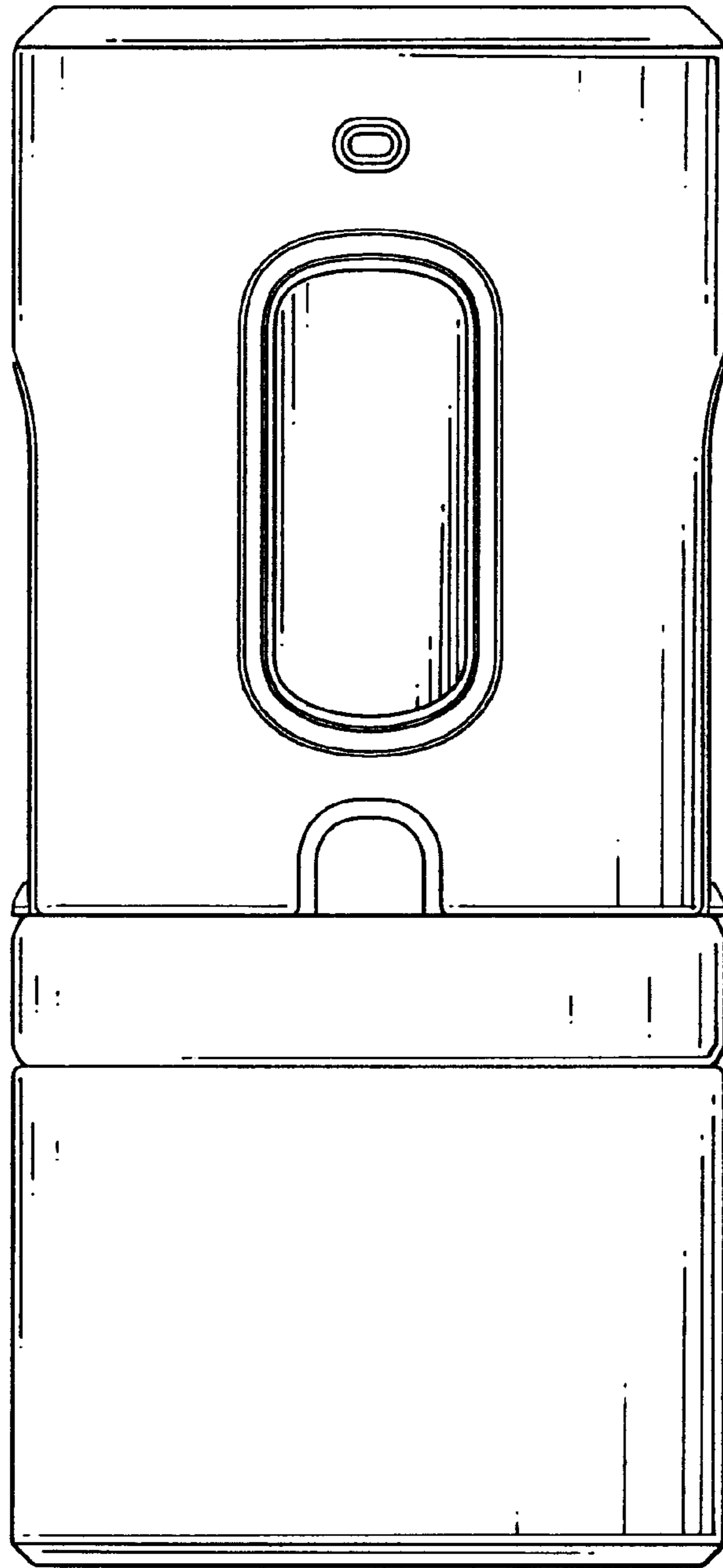


FIG.2

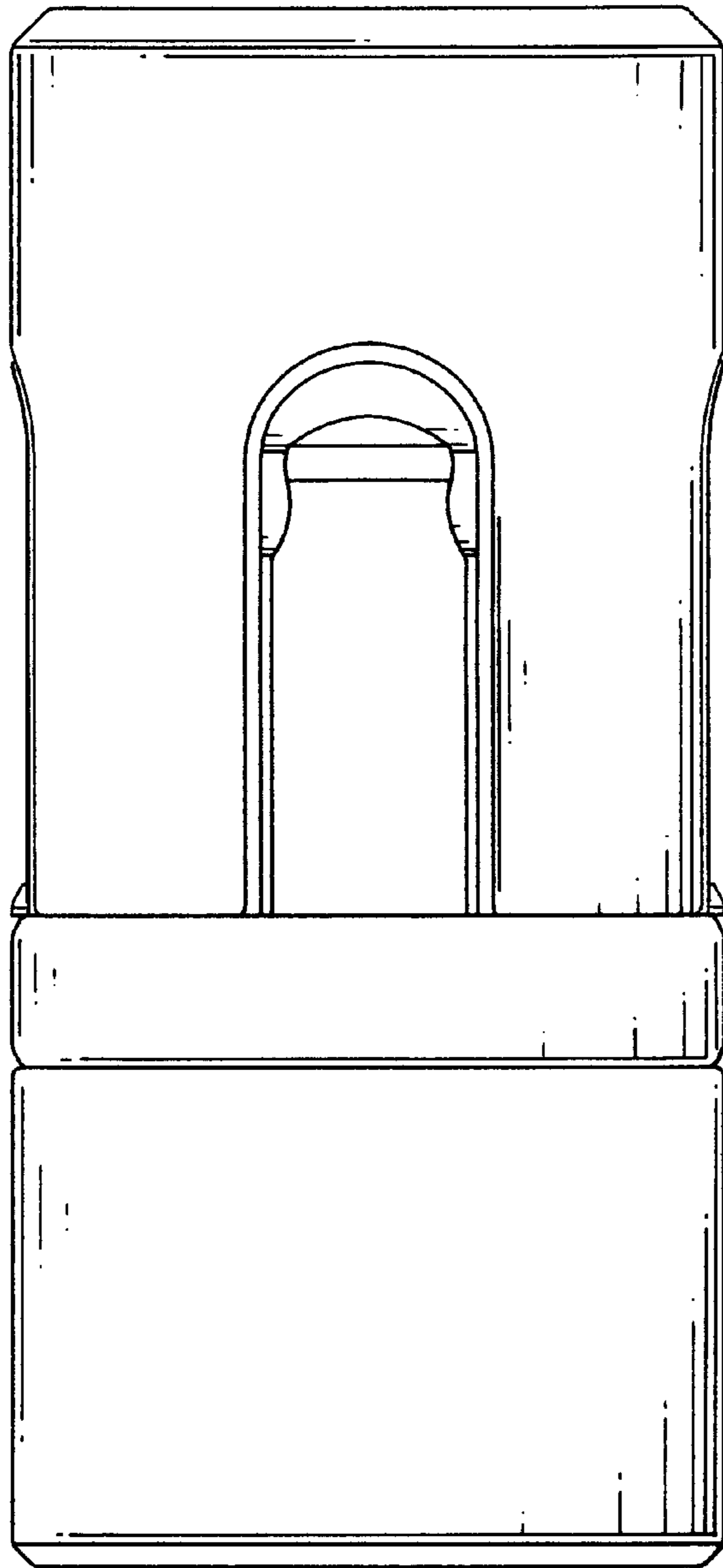


FIG.3

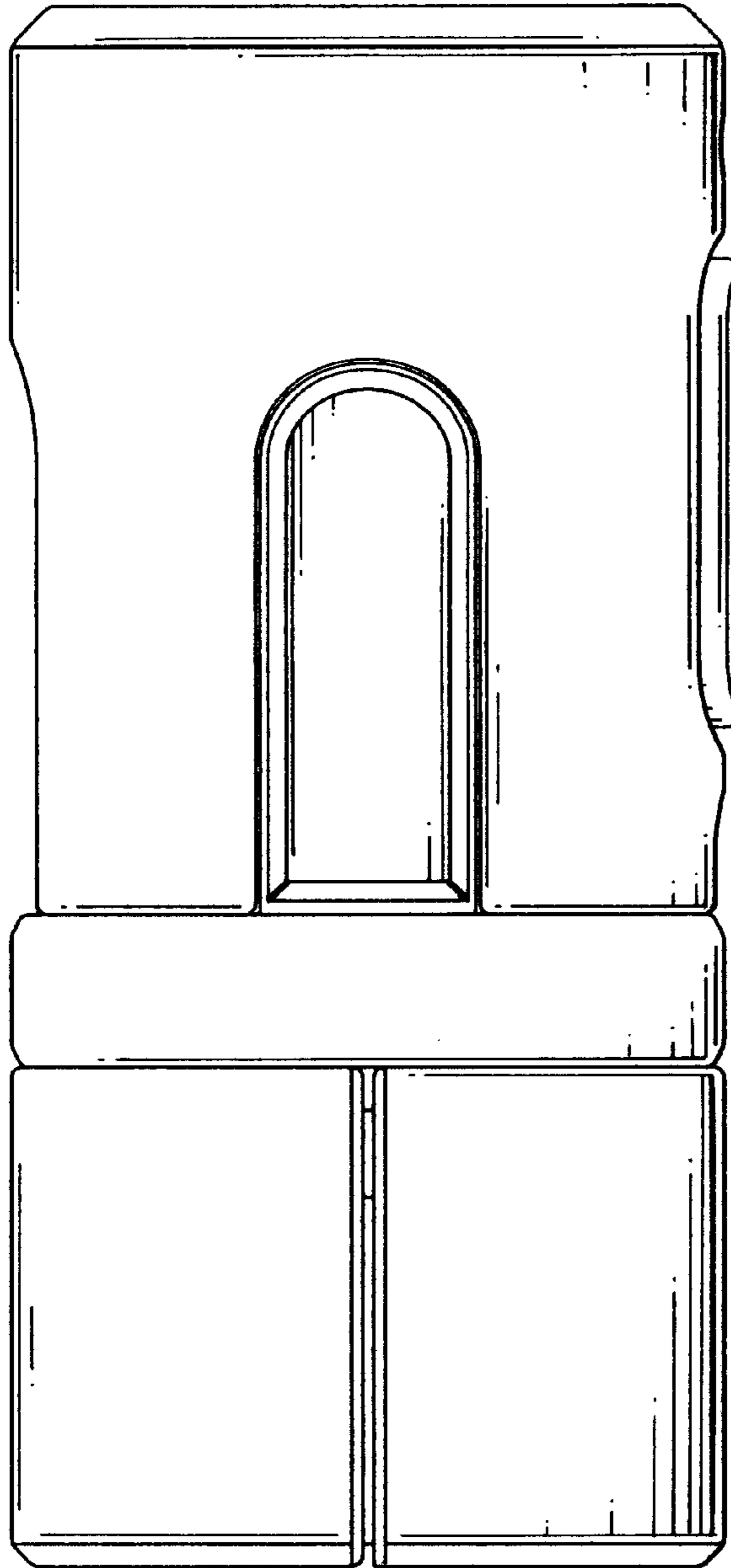


FIG.4

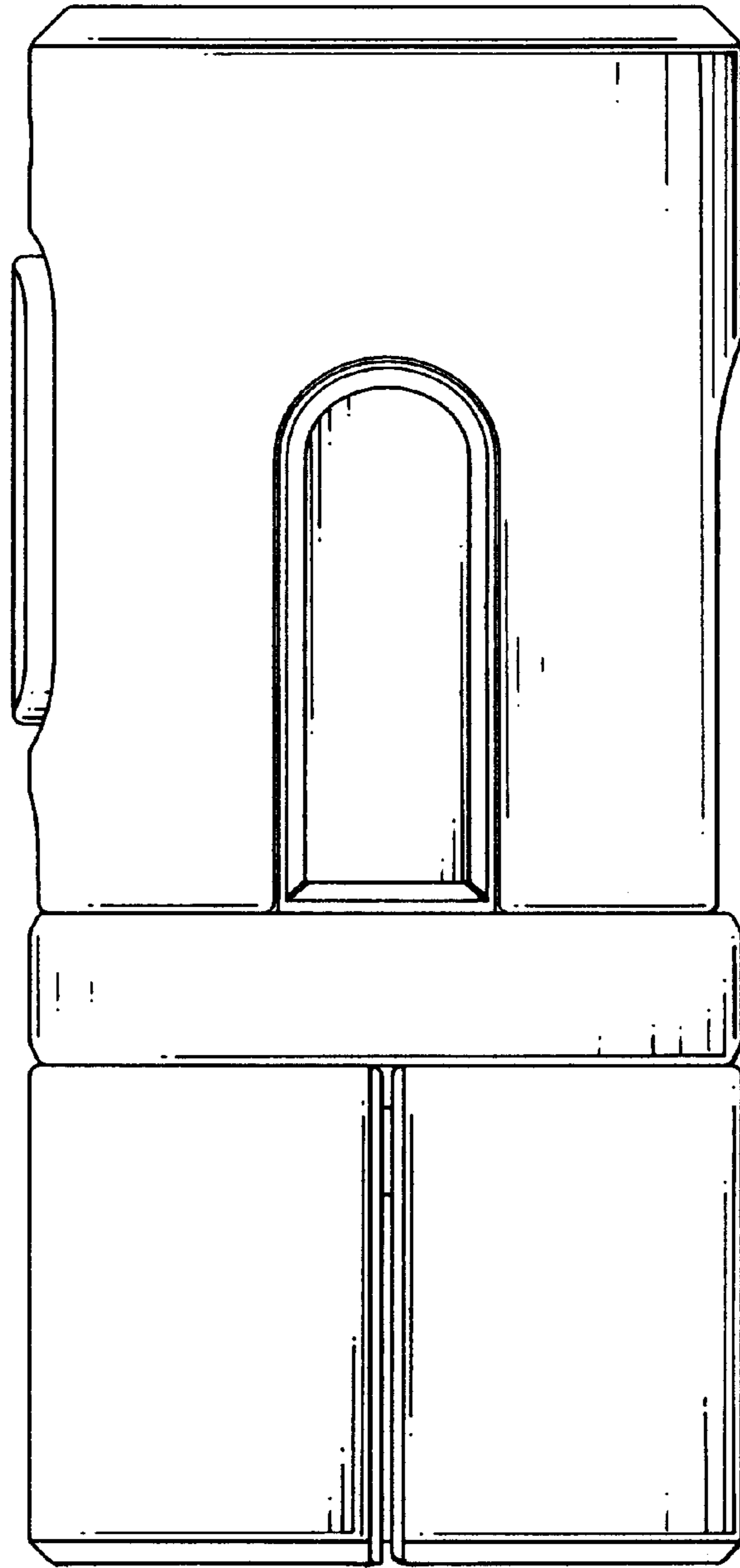


FIG.5

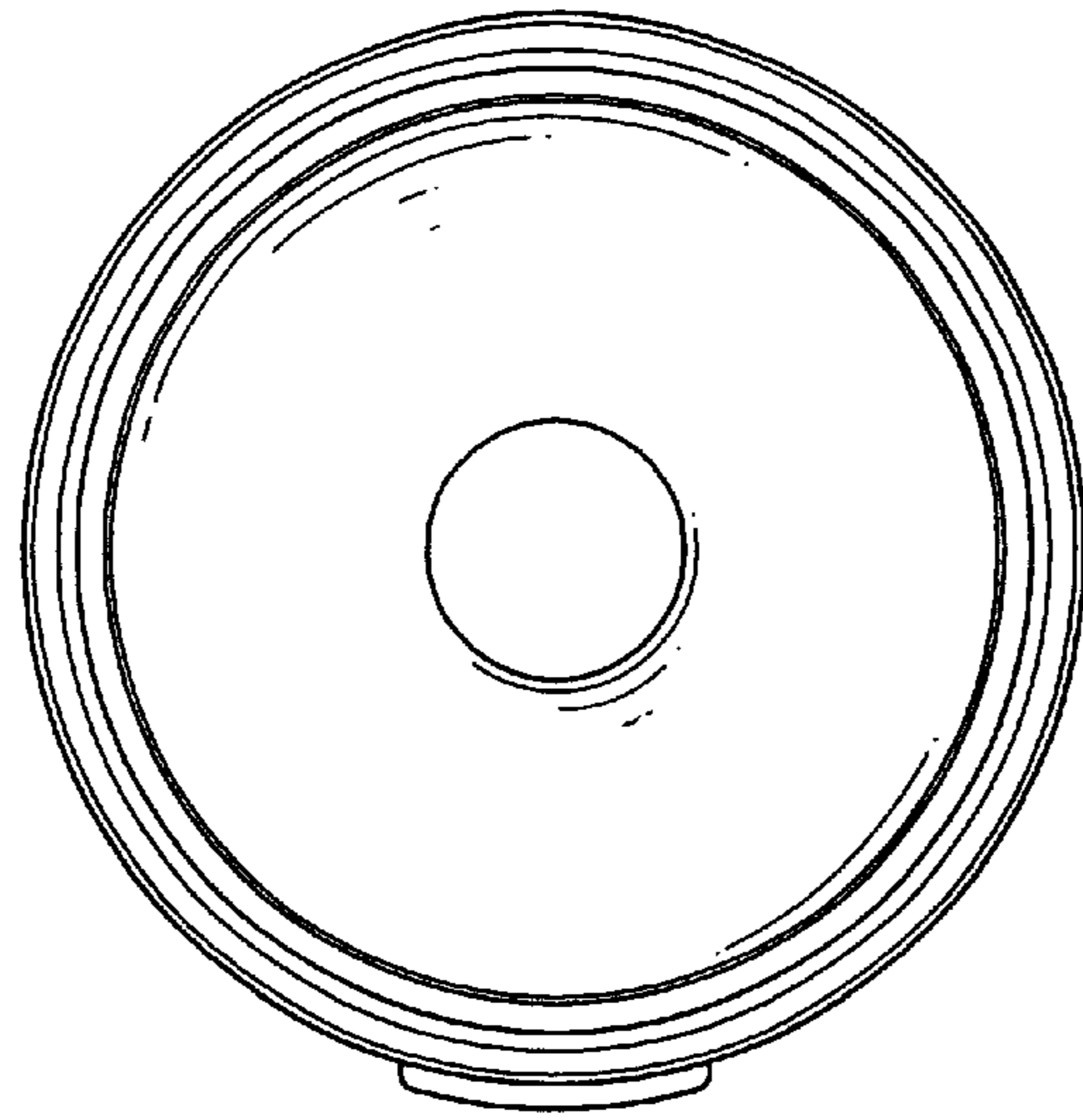


FIG. 6

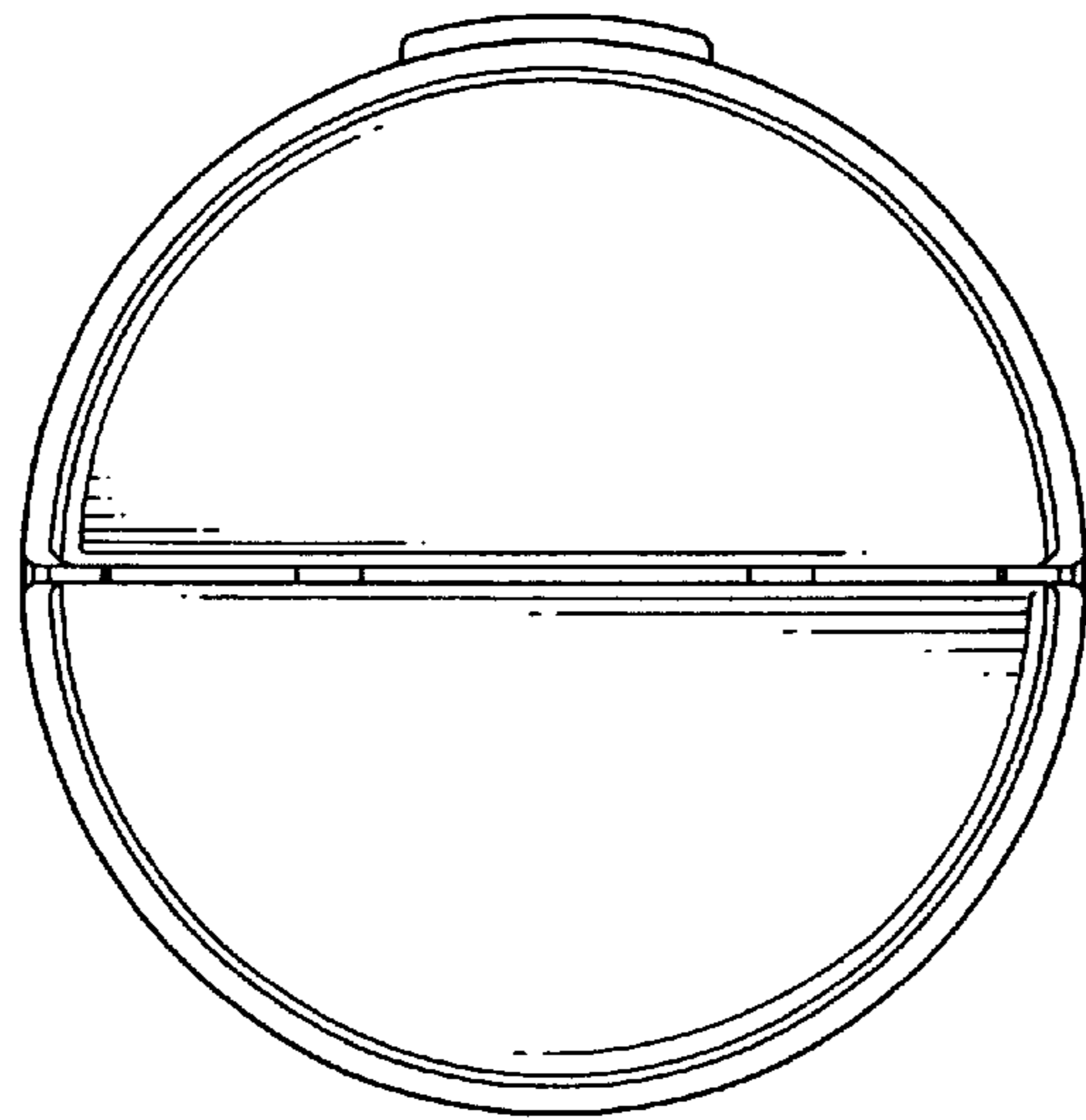


FIG. 7

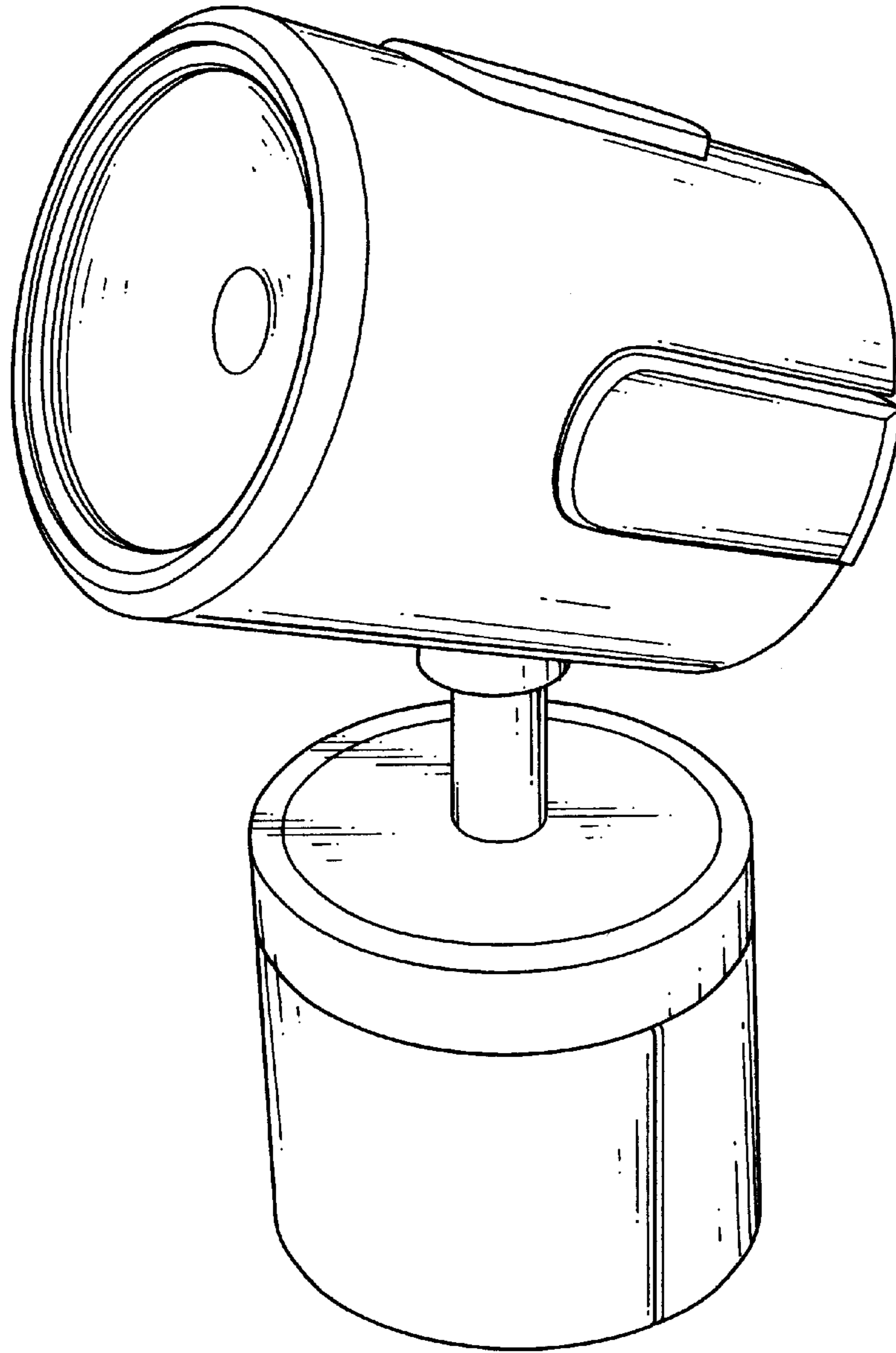


FIG.8