

US00D545853S

(12) **United States Design Patent**
Hawley et al.

(10) **Patent No.:** **US D545,853 S**
(45) **Date of Patent:** **** Jul. 3, 2007**

(54) **PLASMA GUN NOZZLE RETENTION RING**

(76) Inventors: **Dave Hawley**, 1101 Prospect Ave.,
Westbury, NY (US) 11590; **Richard**
McCullough, 1101 Prospect Ave.,
Westbury, NY (US) 11590

(**) Term: **14 Years**

(21) Appl. No.: **29/265,818**

(22) Filed: **Sep. 8, 2006**

Related U.S. Application Data

(63) Continuation of application No. 11/392,650, filed on
Mar. 30, 2006.

(51) **LOC (8) Cl.** **15-09**

(52) **U.S. Cl.** **D15/144**

(58) **Field of Classification Search** D15/144-144.2;
219/76, 121.47, 121.48, 121.51

See application file for complete search history.

(56) **References Cited**

U.S. PATENT DOCUMENTS

5,744,777 A * 4/1998 Bernecki et al. 219/121.47
5,856,647 A * 1/1999 Luo 219/121.5
D520,037 S * 5/2006 Furujo et al. D15/144

D524,336 S * 7/2006 Conway et al. D15/144
7,126,080 B1 * 10/2006 Renault et al. 219/121.48
7,161,111 B2 * 1/2007 Schneider 219/121.4
2004/0237530 A1 * 12/2004 Brown 60/740
2006/0016789 A1 * 1/2006 MacKenzie et al. 219/121.5
2006/0289404 A1 * 12/2006 Hawley et al. 219/121.47

* cited by examiner

Primary Examiner—Antoine D. Davis

Assistant Examiner—Patricia Palasik

(74) *Attorney, Agent, or Firm*—Hogan & Hartson LLP

(57) **CLAIM**

The ornamental design for a plasma gun nozzle retention
ring, as shown and described.

DESCRIPTION

FIG. 1 is a perspective view thereof;

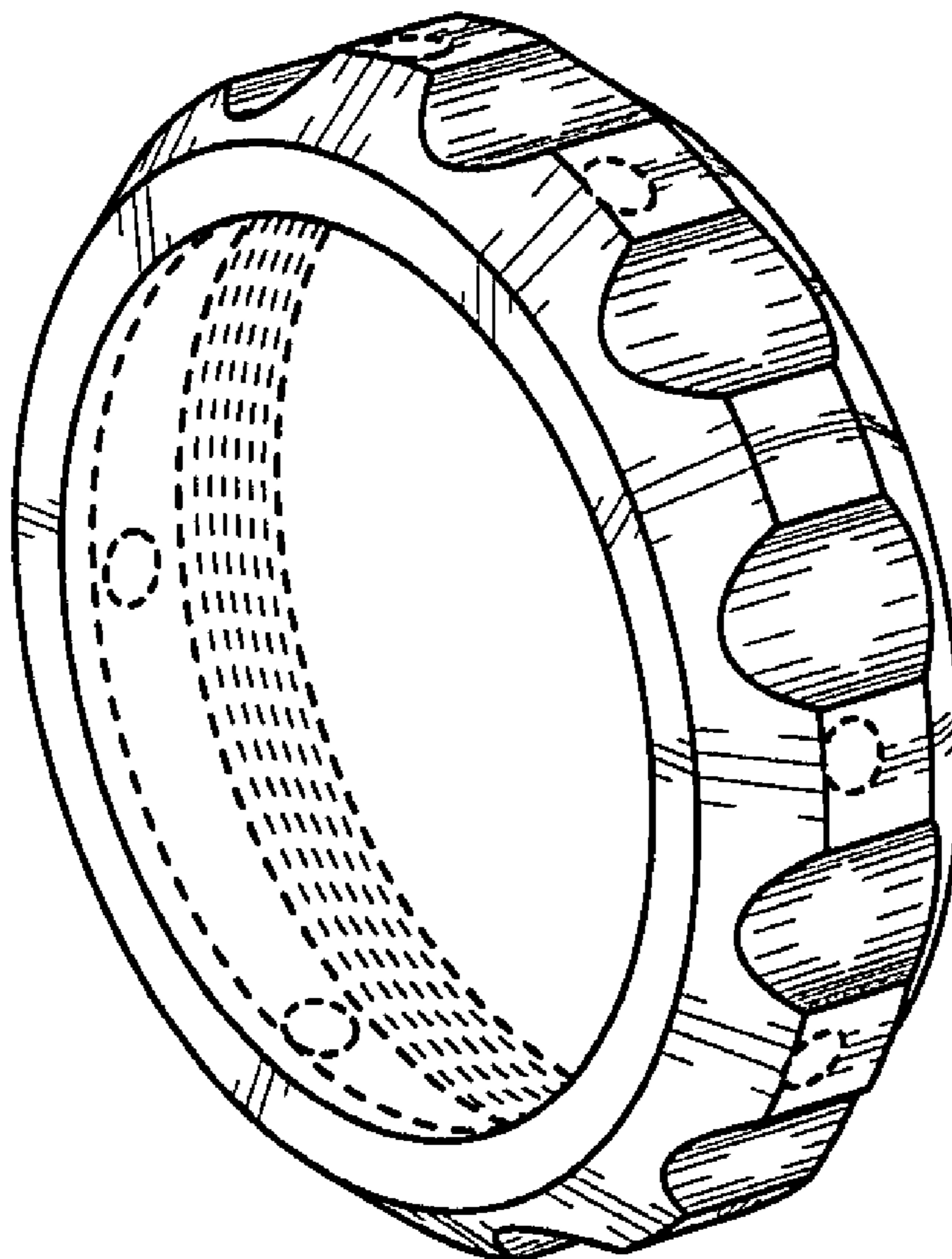
FIG. 2 is a front view thereof;

FIG. 3 is a side view thereof; and,

FIG. 4 is a perspective view thereof, showing for illustrative
purposes only, the retention ring of FIG. 1 mounted on the
nozzle assembly of a plasma gun.

Broken lines shown in the figures are for illustrative pur-
poses only and form no part of the claimed design.

1 Claim, 3 Drawing Sheets



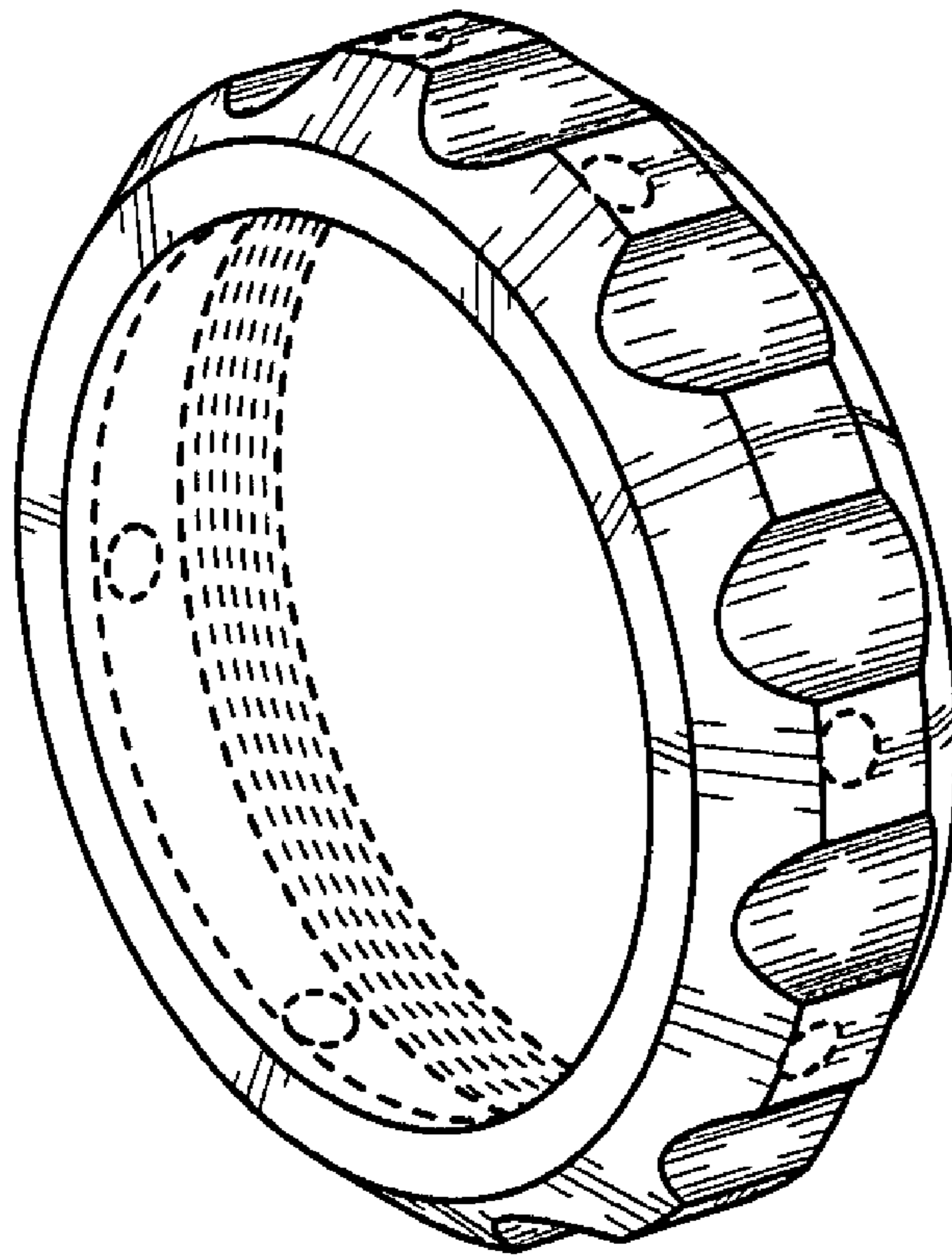


FIG. 1

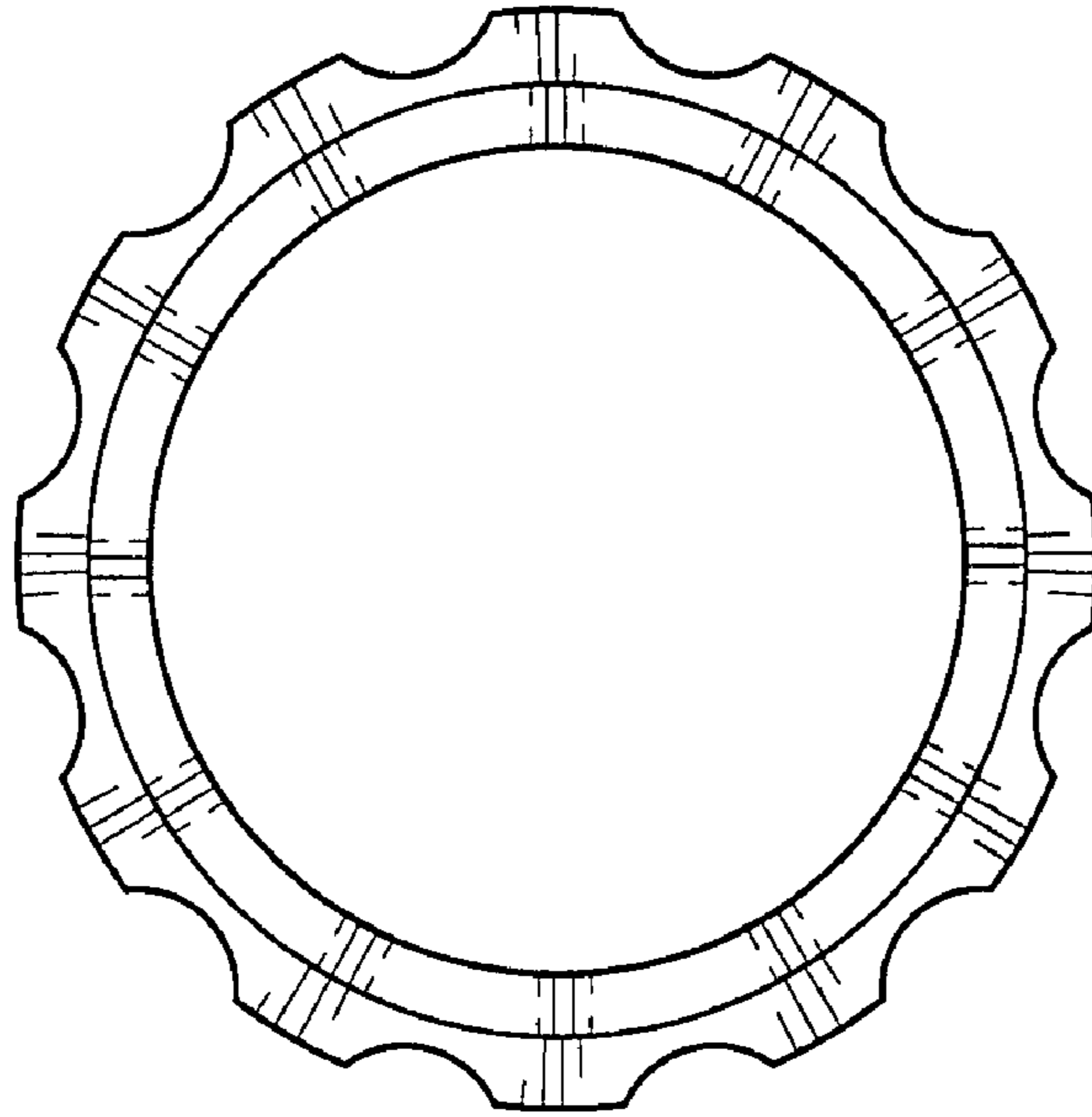


FIG. 2

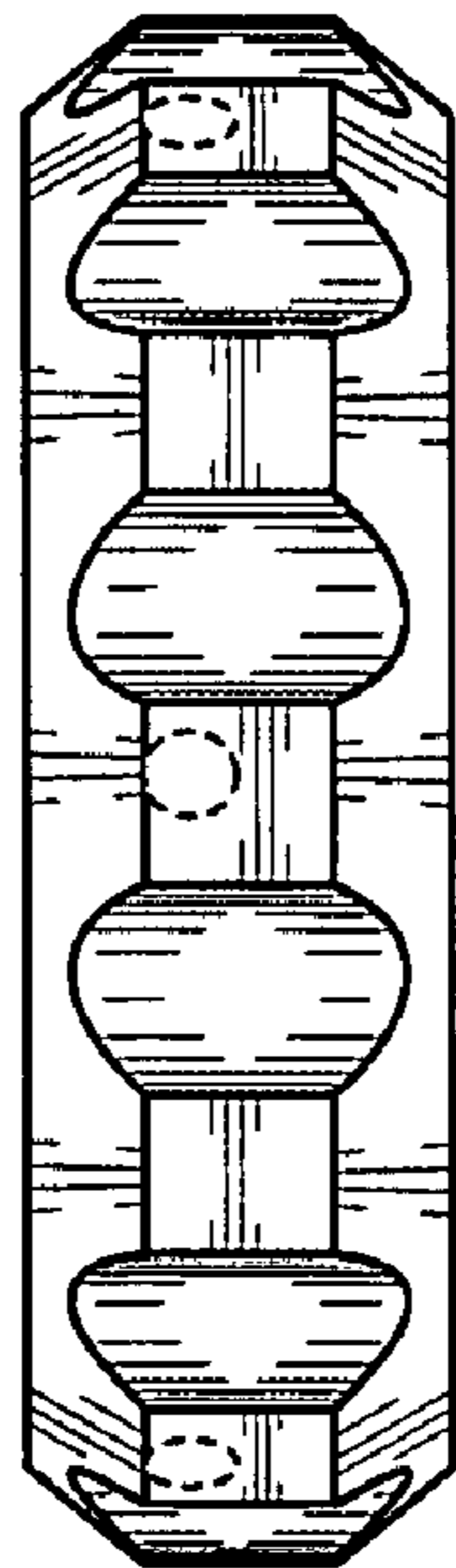


FIG. 3

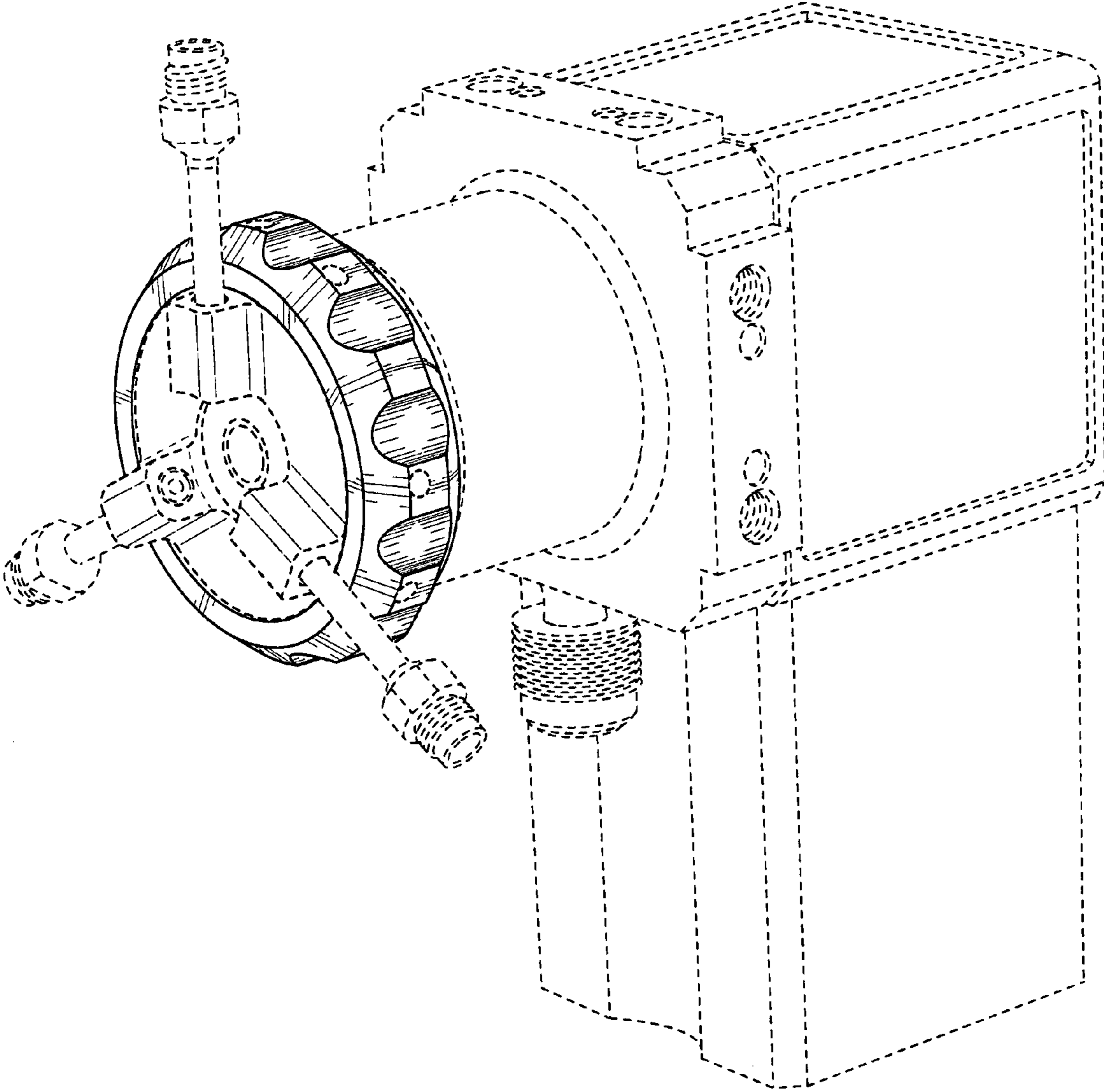


FIG. 4